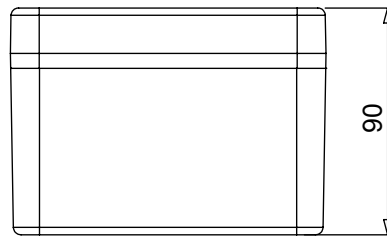
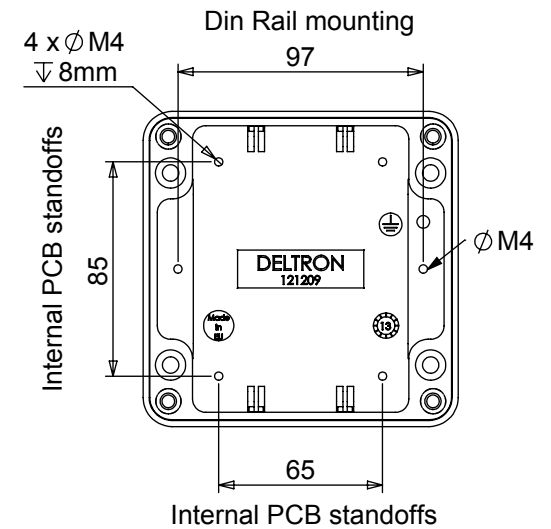
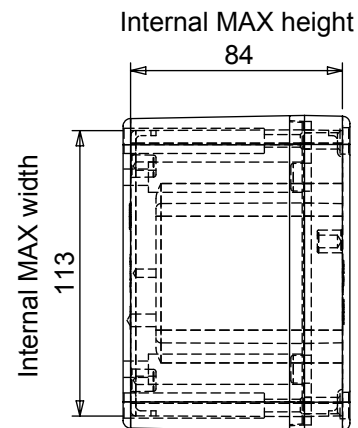
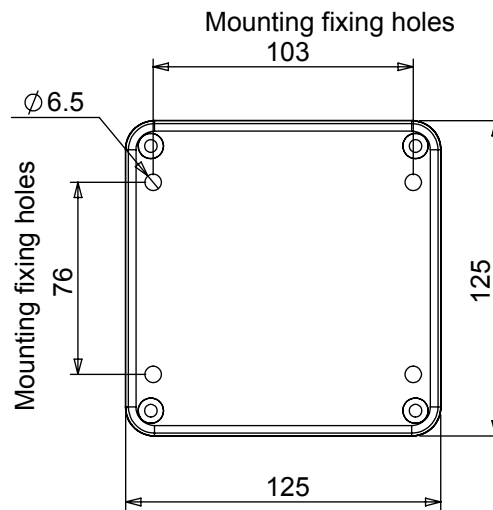
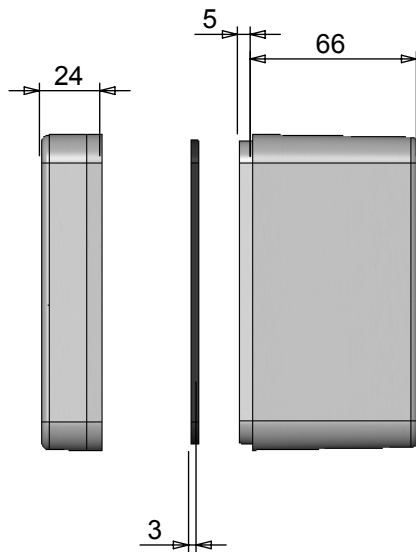


Length	Width	Height	Un-Painted	Powder Coat	Nylon Coat
125	125	90	486-121209-68	487-121209*-68	488-121209*-68
Box Dimensions in mm			Colour Option - Colour suffix * - Grey= A / Blue= B / Black= E		

Die cast aluminium enclosure sealed to
BS EN 60529:1992 IP66, IP67 and IP68 (10mtrs for 20 hour)



- 3mm One piece Die cut Silicone Rubber Sponge 01-255FR Seal
- Seal has Self Adhesive Backing. 01-255SAB Suitable for -60 °c to 240 °c.
- Min seal thickness 3.0mm - min seal frame width 3.5mm
- Min enclosure wall thickness 3mm
- Min enclosure lid thickness 3mm
- Enclosures can be supplied Machined to your specifications
- PCB maximum dimensions 113mm length, 1.7mm width
- Made in the EU



Tel No. +44(0)1724 273200 Website www.dem-uk.com



PROPRIETARY AND CONFIDENTIAL
THE INFORMATION CONTAINED IN THIS DRAWING IS THE SOLE PROPERTY OF
ALPHA 3 MANUFACTURING.
ANY REPRODUCTION IN PART OR AS A WHOLE WITHOUT THE WRITTEN PERMISSION OF
ALPHA 3 MANUFACTURING IS PROHIBITED.



UNLESS OTHERWISE SPECIFIED:
DIMENSIONS ARE IN MILLIMETRES.
TOLERANCE:
NO DECIMAL PLACES ±0.2mm
1 DECIMAL PLACE ±0.1mm
2 DECIMAL PLACES ±0.05mm
ANGULAR TOLERANCE: ±1°

FINISH - see paint code for colour
DEBURR AND BREAK SHARP EDGES
DRAWN BY SPB
APPROVED BY WC
THIRD ANGLE PROJECTION
IF IN DOUBT ASK
DO NOT SCALE DRAWING
MATERIAL LM24

SCALE 1:3
A4

SHEET 1 OF 1
SCALE 1:3
A4

TITLE
**HEAVY DUTY
DIE CAST ENCLOSURE
IP68**
DRAWING NO.
486-121209-68
ISSUE
01
Release

X-ON Electronics

Largest Supplier of Electrical and Electronic Components

Click to view similar products for [Enclosures, Boxes, & Cases](#) category:

Click to view products by [Deltron](#) manufacturer:

Other Similar products are found below :

[CR-425 PAINTED](#) [585-R-WH-PK](#) [M-10-PLATED](#) [60221-01](#) [60566-01-000](#) [HPL-9VB BATT DOOR](#) [M-16-LID-PLATED](#) [M18-PLTD](#) [M-21-LID-PLATED](#) [M-21-PLATED](#) [M-23-PLATED](#) [CU-281-MB](#) [6711GSKT](#) [71884-29-028](#) [LH45-100 Black](#) [7200B](#) [72868-510-000](#) [CNS-0000 Black](#) [72883-510-000](#) [CNS-0101 Black](#) [72906-510-000](#) [CNS-0407 Black](#) [73091-510-000](#) [CNM-0000-BLACK Kit](#) [73092-510-000](#) [CNM-0101 Black](#) [73108-510-000](#) [CNL-0303 Black](#) [73395-510-039](#) [CNS-0006 Bone](#) [74257-510-000](#) [CNL-0004](#) [MDC-1183-PLAIN-ALUM](#) [MDC-1183-PTD](#) [MDC-13104-PLAIN-ALUM](#) [MDC-211 - PAINTED IVORY/BEIGE](#) [MDC-321-PTD](#) [MDC-432-PLAIN-ALUM](#) [MDC-973-PTD](#) [76](#) [77153-01-028](#) [FLX6030](#) [83535-01-508](#) [PS-11296-G](#) [PS-11298-B](#) [116-508](#) [120-407](#) [120-412](#) [120-909](#) [120-455](#) [R272-100-000](#) [120-910](#) [R501-001-010](#) [R508-080-000](#) [R508-160-000](#) [R530-120-000](#) [R530-122-000](#) [R530-200-000](#) [R531-160-000](#) [R531-200-000](#) [R582-080-100](#)