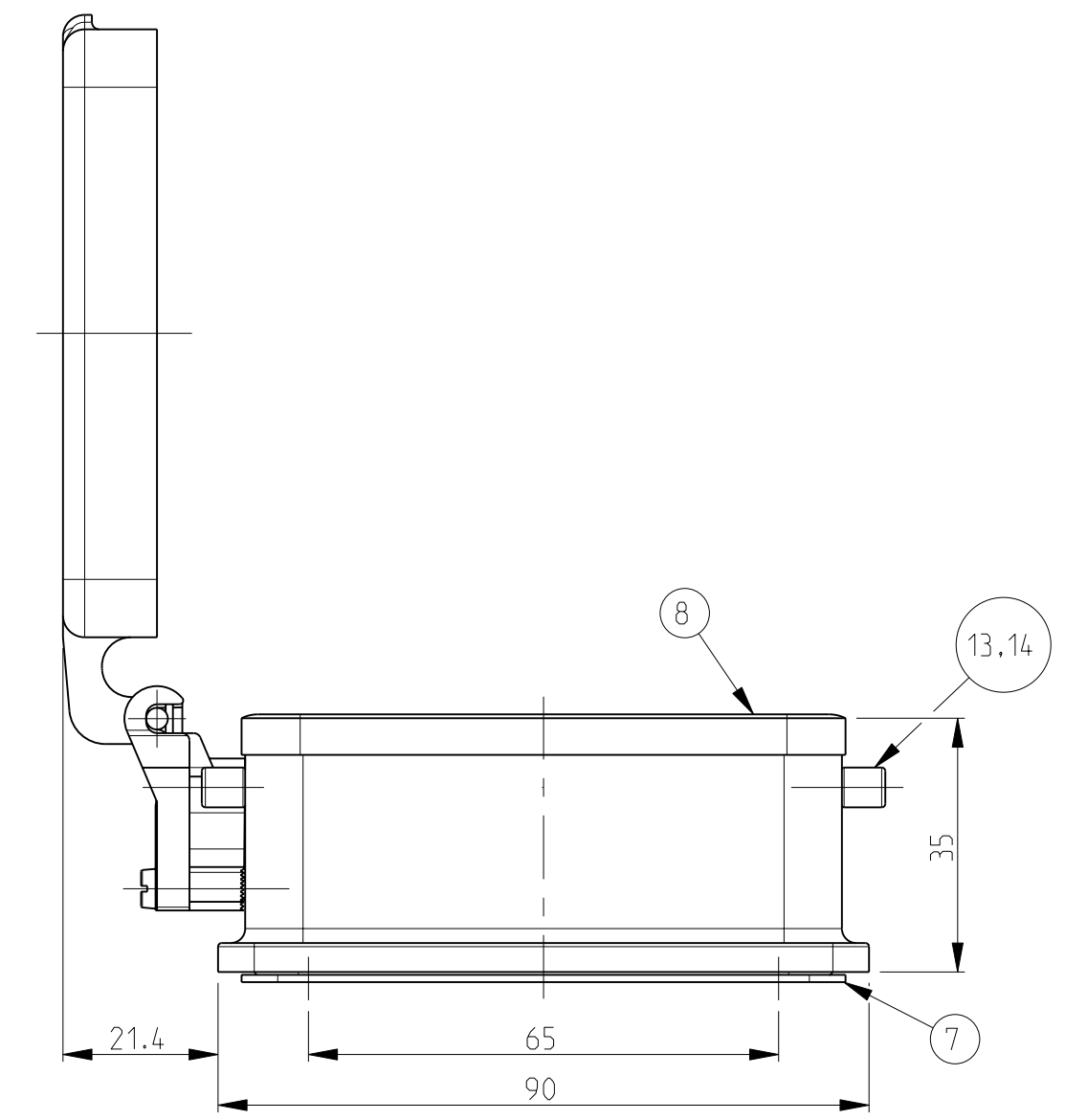
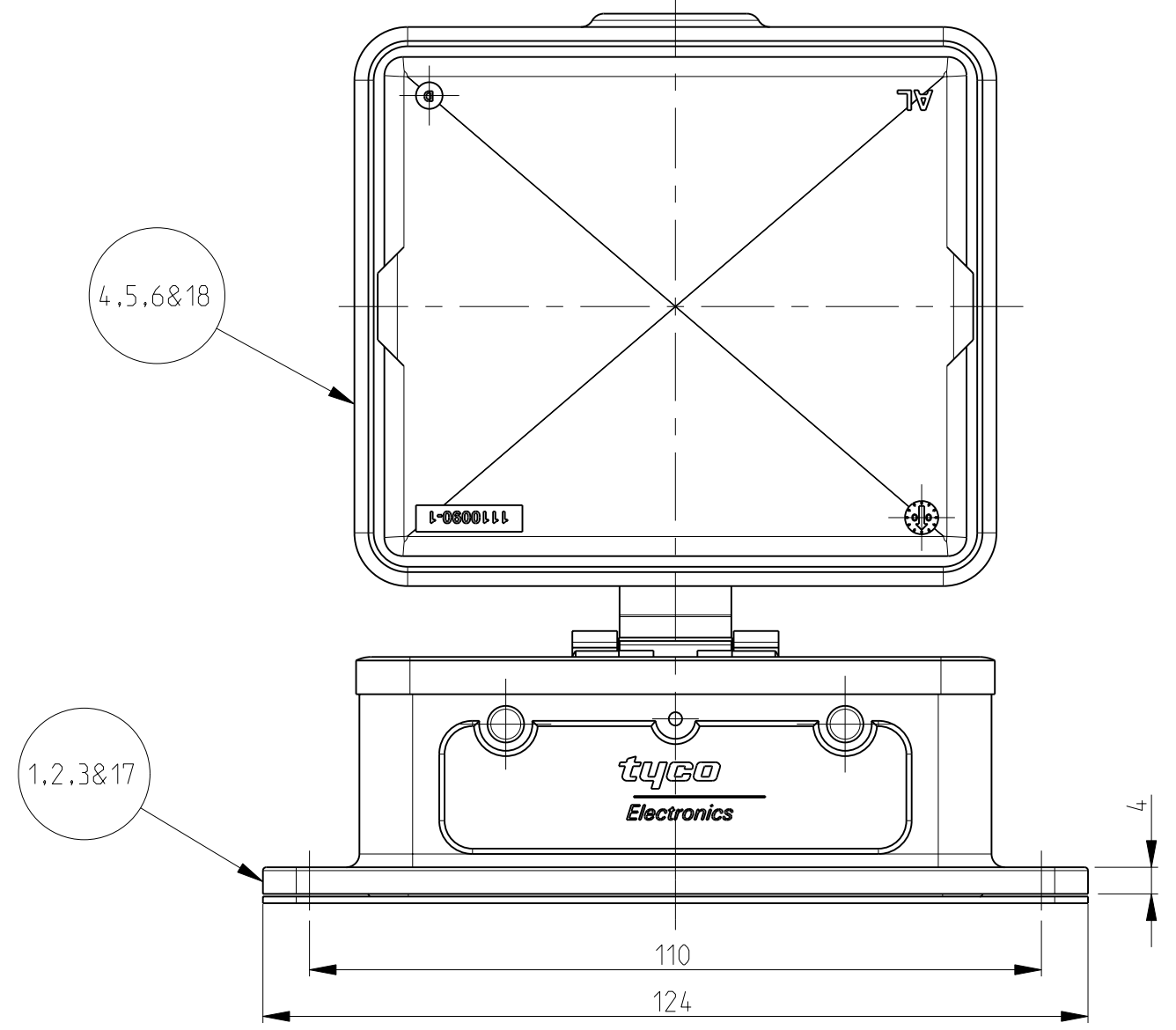


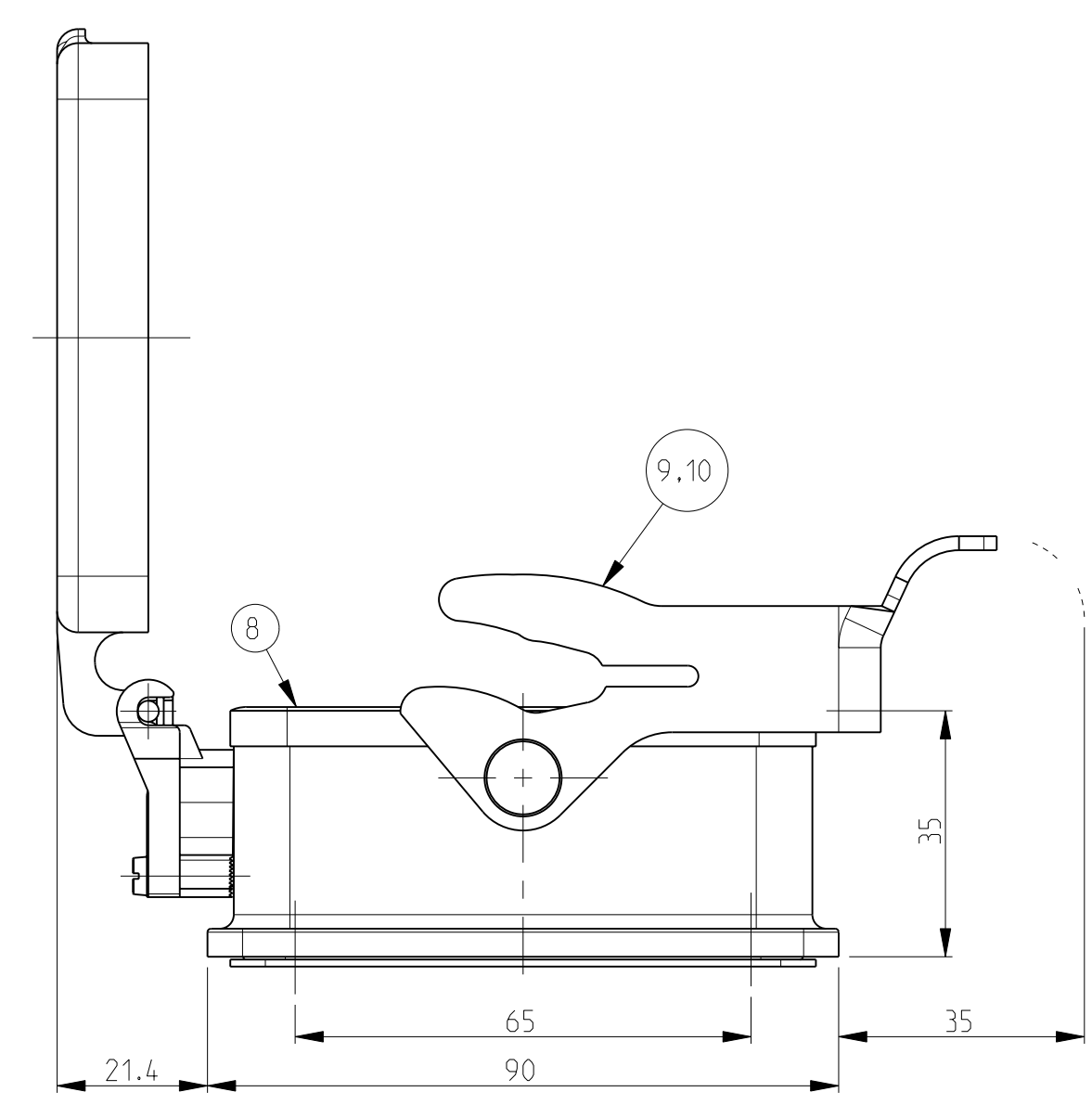
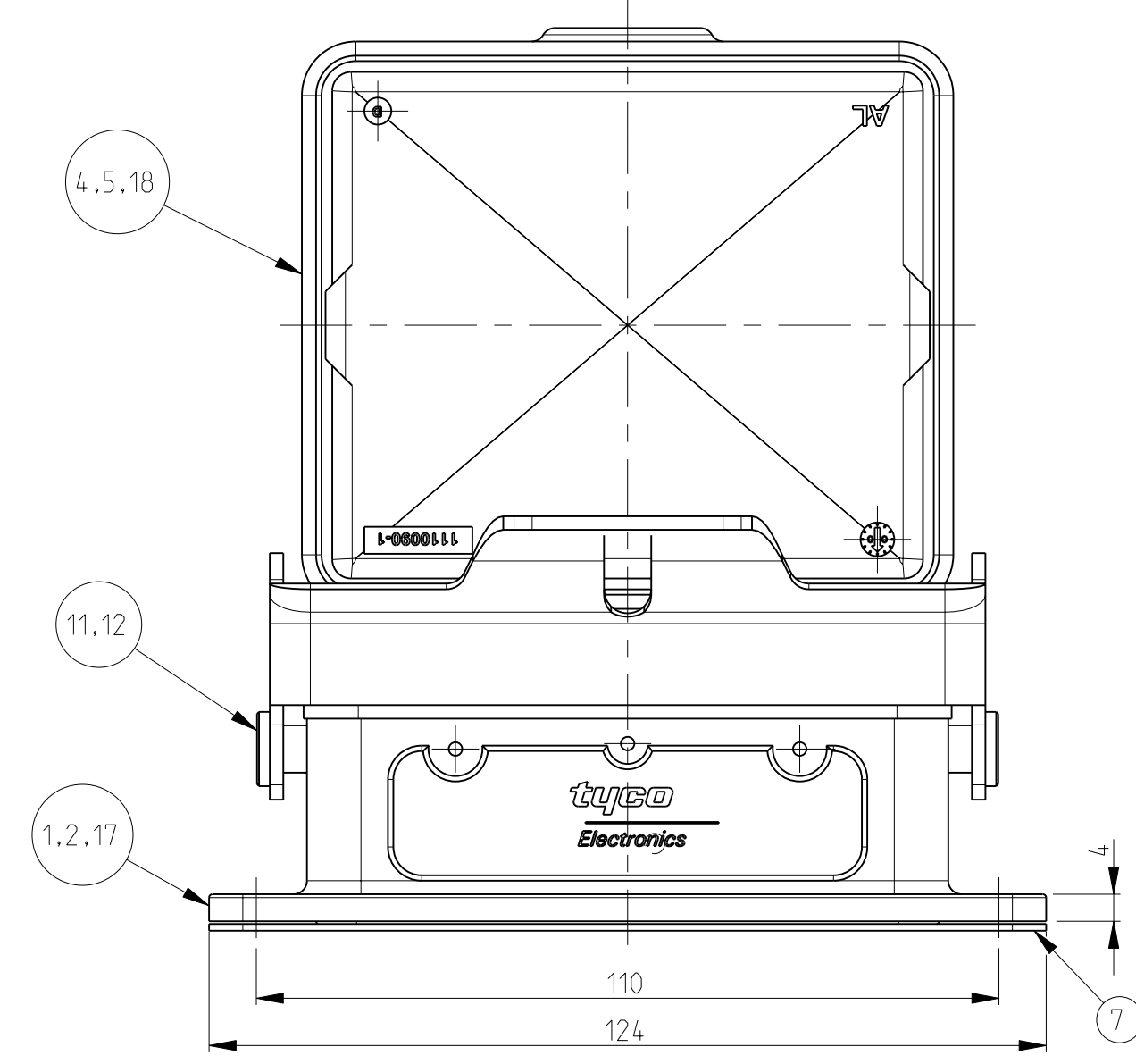
LOC	DIST	REVISIONS					
A	I	P	LTH	DESCRIPTION	DATE	DWN	APVD
		A5		Released as per ECR-07-030428	17.12.2007	SP	TS

PN 1-6, 2-6, 0-3 & 1-1

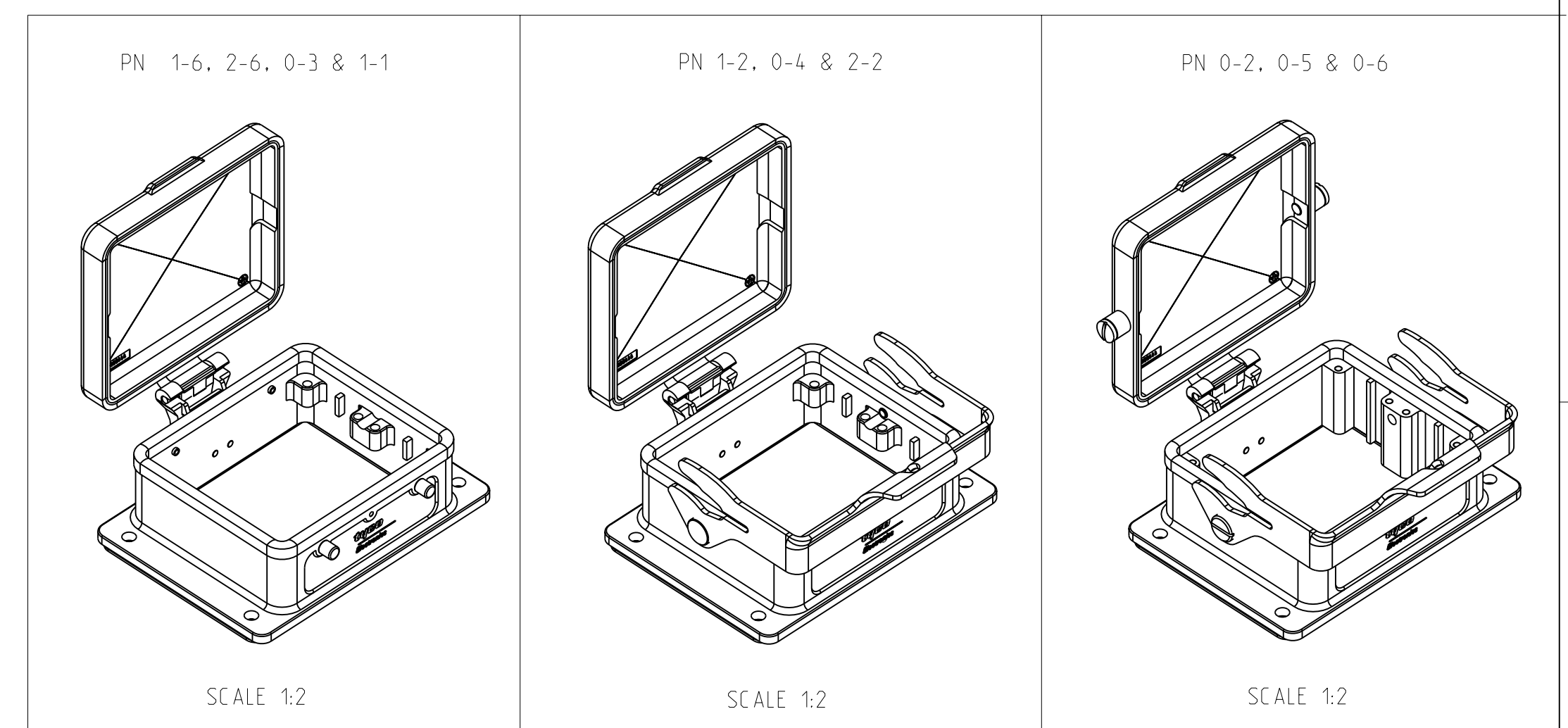
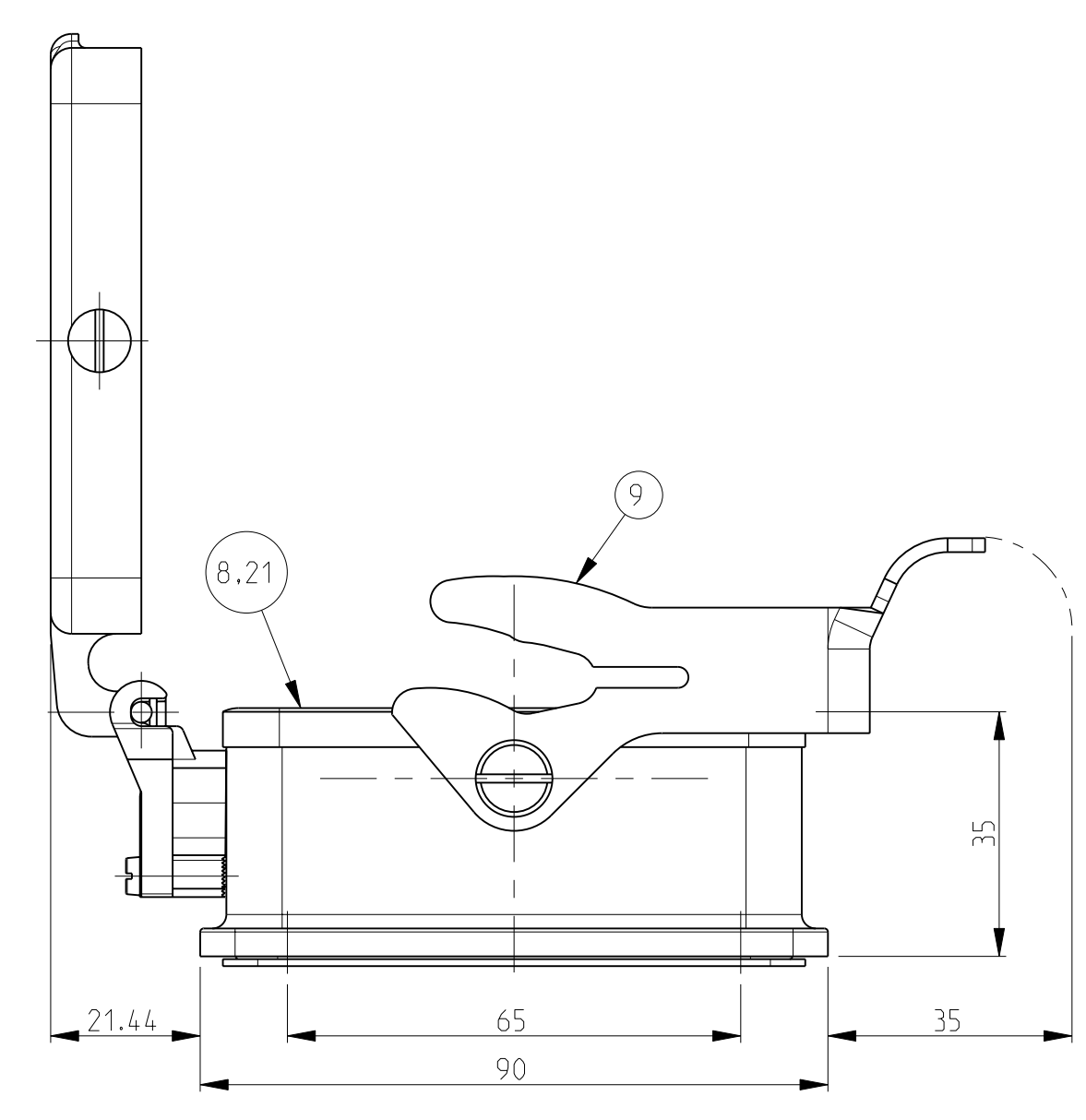
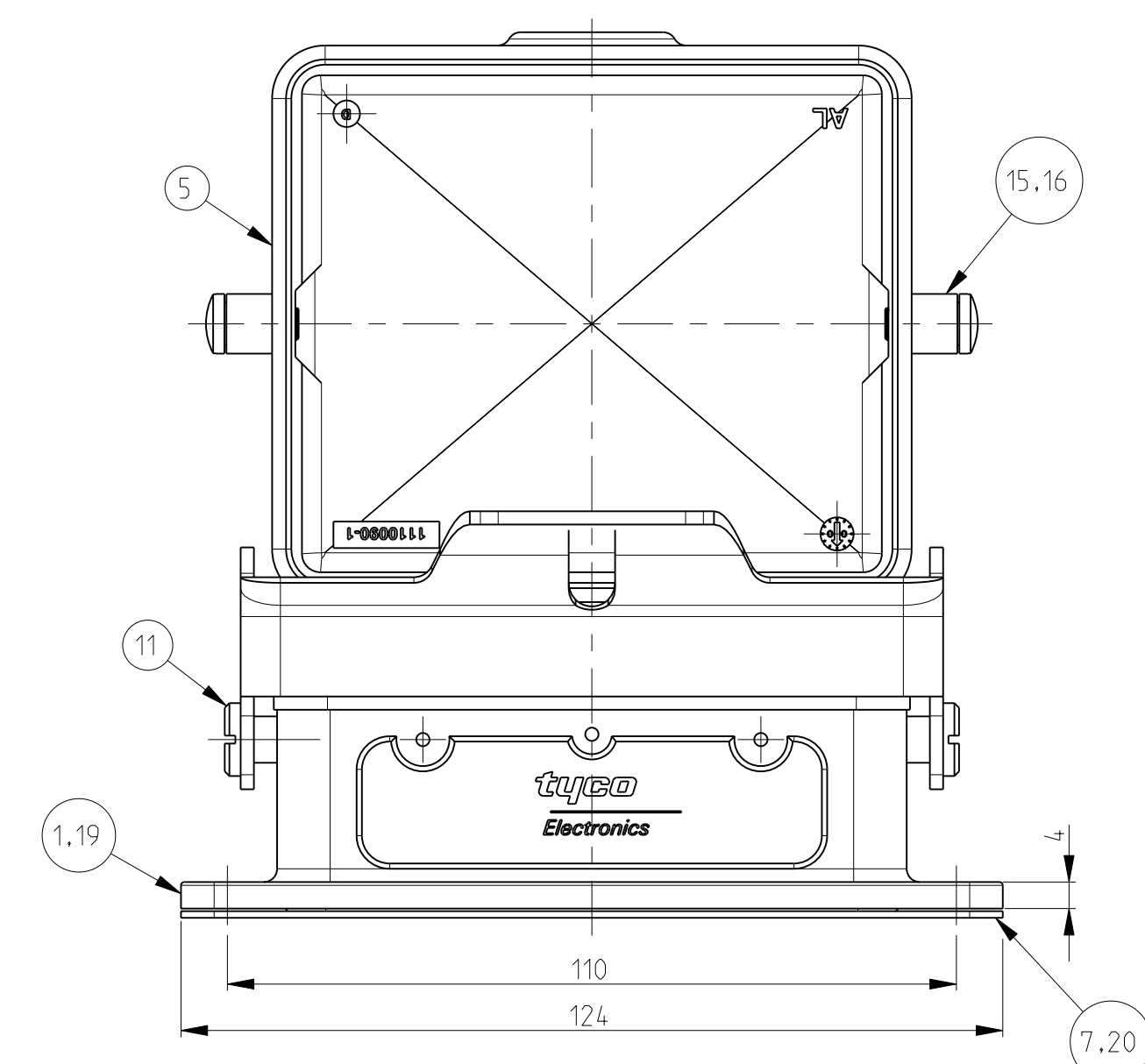


- NOTES
- 1 Material:Housing:Aluminium Diecasting Alloy  
Seals: Neoprene
  - 2 Surface- Varnish -Aluminium Oxide +  
Varnish Black  
-Grey
  - 3 Varnish on the inside not necessary
  - 4 Packaging Quantity 5 Pieces in a box
- △ Set-Packaging all parts packed separately

PN 1-2, 0-4 & 2-2



PN 0-2, 0-5 & 0-6



QTY	DESCRIPTION	MATERIAL	SURFACE	COLOR	ITEM NO	NOTES
1	Profile seal	Viton		Grey	21	
1	Flange seal	Viton		Grey	20	
1	Surface mounted housing bottom entry HB	Aluminium		Grey	19	Neutral
1	Cover finished product HB	Aluminium		Grey	18	Neutral/W without logo
1	Surface mounted housing bottom entry HB	Aluminium		Grey	17	Neutral/W without logo
	Slide spool-LB	Steel	Zinc plated	Blue	16	
	Clip bolt-LB	Steel	Zinc plated	Blue	15	
	Clip bolt-VS	Stainless steel			14	
	Clip bolt-VS	Steel	Zinc plated	Blue	13	
	Clip positioner-LB	Stainless steel			12	
2	Clip positioner-LB	Steel	Zinc plated	Blue	11	
1	Longitudinal handle-LB	Stainless steel			10	
1	Longitudinal handle-LB	Steel	Zinc plated	Blue	9	
1	Profile seal	Neoprene		Black	8	
1	Flange seal	Neoprene		Black	7	
1	Cover finished product HB	Aluminium		No varnish	6	
1	Cover finished product HB	Aluminium		Grey	5	Neutral
1	Cover finished product HB-K	Aluminium	Aluminium oxide	Black	4	
1	Surface mounted housing bottom entry HB	Aluminium		No varnish	3	
1	Surface mounted housing bottom entry HB-K	Aluminium	Aluminium oxide	Black	2	
1	Surface mounted housing bottom entry HB	Aluminium		Grey	1	

ORDERING TEXT

HB.32.AGD-LB  
 HB-K.32.AGD-LB  
 HB.32.AGD-LB-GR  
 SET-HB.32.AGD △  
 HB.32.AGD  
 HB-K.32.AGD  
 HB.32.AGD  
 HB.32.AGD-LB  
 HB.32.AGD-LB  
 HB.32.AGD-LB-V

DIMENSIONS: mm		TOLERANCES UNLESS OTHERWISE SPECIFIED:		DWN 15.04.2002		Schneider	
MATERIAL		FINISH		CHK 15.04.2002		Schweiger	
PRODUCT SPEC		APPLICATION SPEC		NAME		Tyco Electronics	
WEIGHT		SCALE		SHEET		REV	
CUSTOMER DRAWING		SCALE 1:1		SHEET 1 OF 1		REV A5	

## X-ON Electronics

Largest Supplier of Electrical and Electronic Components

*Click to view similar products for [Heavy Duty Power Connectors](#) category:*

*Click to view products by [TE Connectivity](#) manufacturer:*

Other Similar products are found below :

[1424439](#) [1424438](#) [09330062652](#) [2-8675P1](#) [605601-1](#) [6340G1](#) [6341G1](#) [6360G1](#) [6373G1](#) [6374g2](#) [6396G1](#) [647757-1](#) [66394-4](#) [6643411-1](#)  
[6646058-2](#) [6646137-1](#) [6646138-1](#) [6646348-1](#) [6646479-1](#) [6646608-1](#) [6646786-1](#) [6646940-1](#) [6651091-1](#) [6651525-1](#) [6651529-1](#) [6651778-1](#)  
[6651788-1](#) [696465-1](#) [696475-1](#) [73000005059](#) [73000005349](#) [73000005642](#) [73080255059](#) [73080965046](#) [765-15-0080A](#) [765-16-0080B](#)  
[789.700-44](#) [789.700-54](#) [80-1010](#) [80-9](#) [827381-1](#) [829992-1](#) [902-77-02113](#) [PL00U-301-10D10](#) [PM103MOOLOO](#) [PM16S1620S32-50](#)  
[PM212MOOLOO](#) [PM309FOOLOO](#) [PM324FOOLCH](#) [PMHPAF11S03](#)