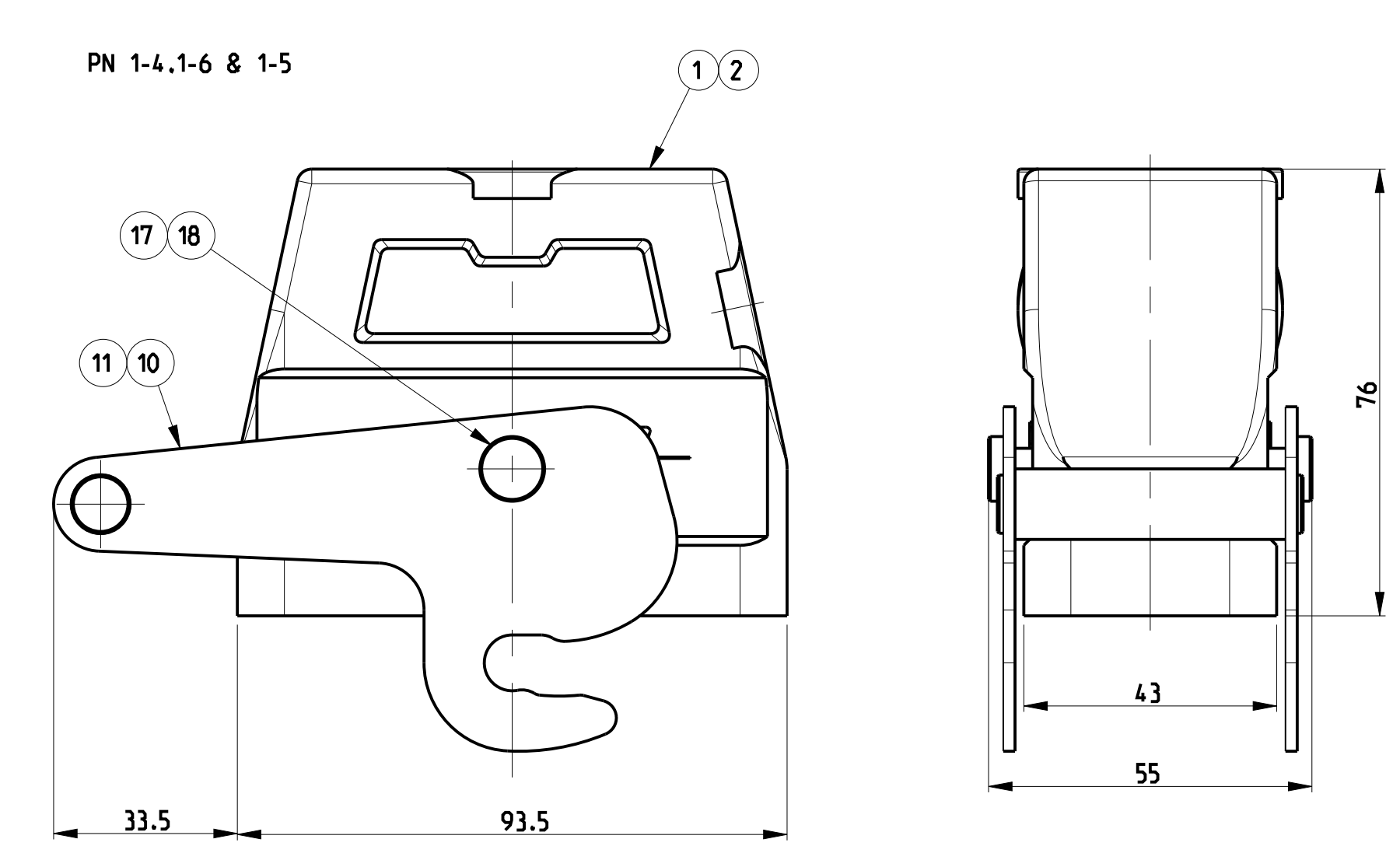
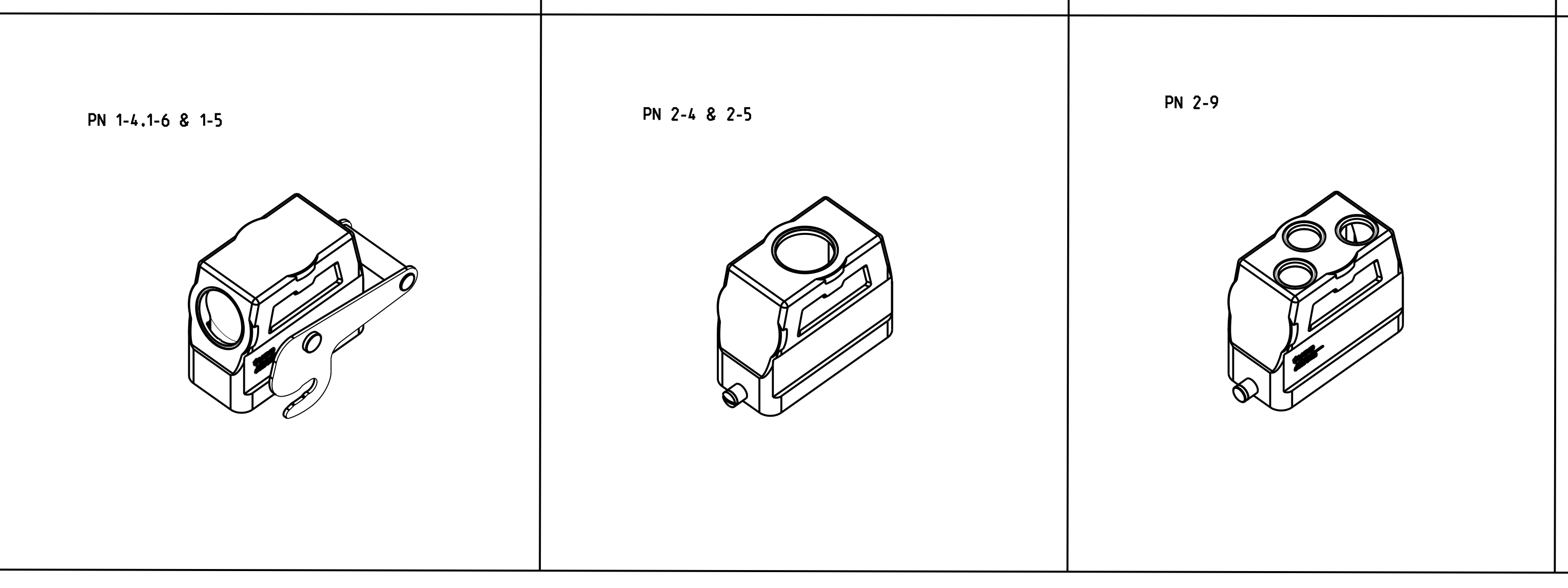
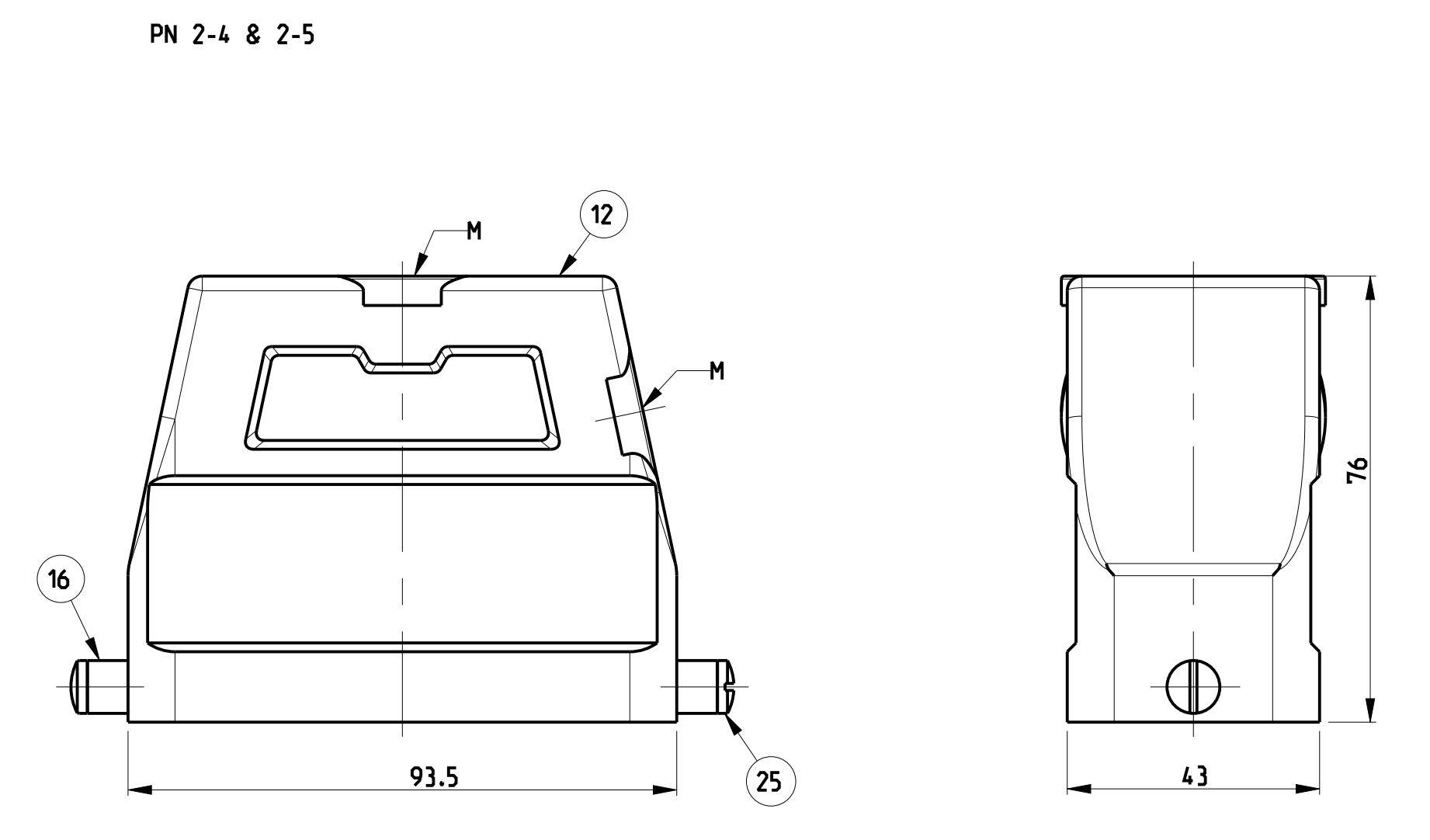
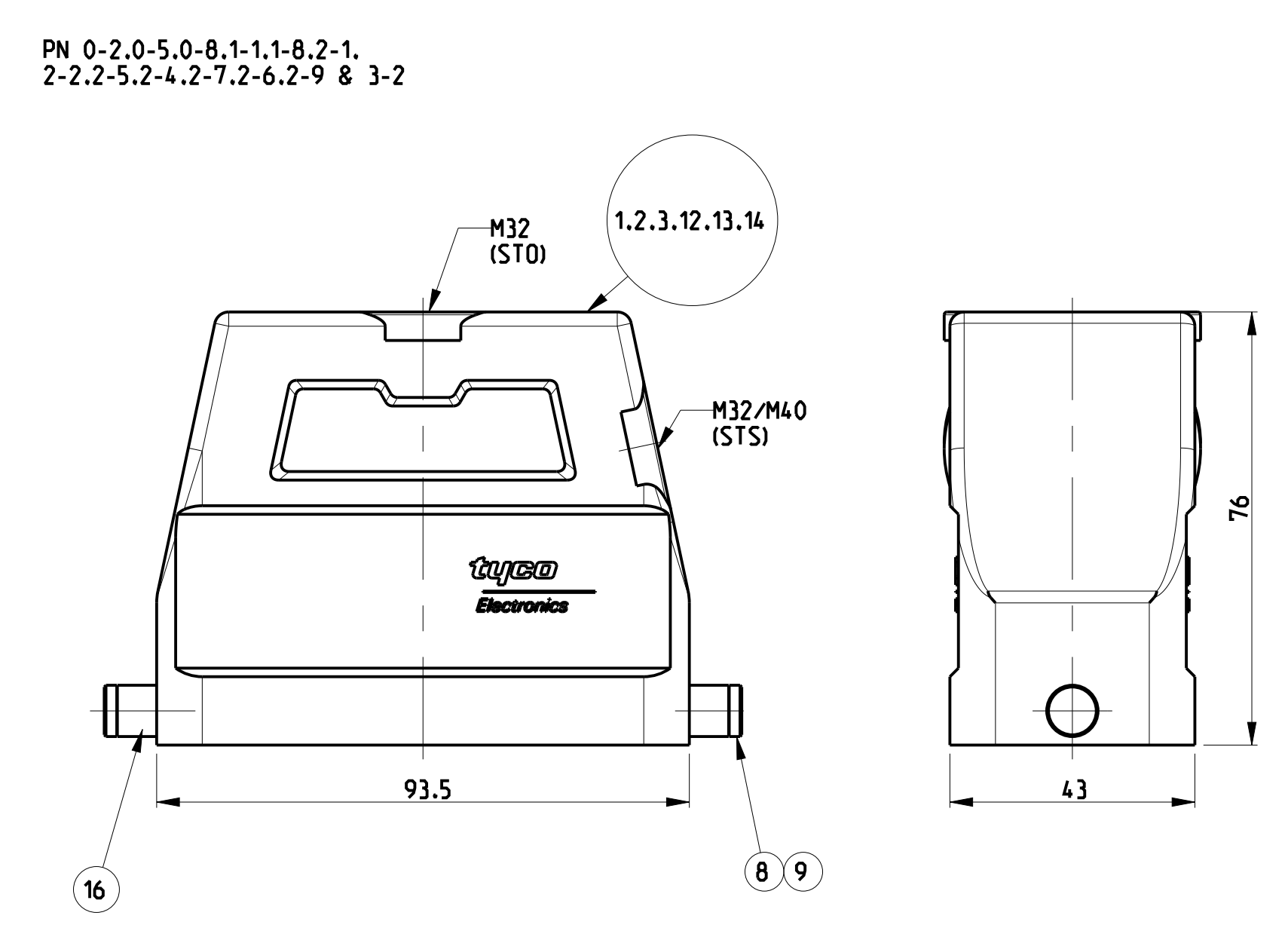
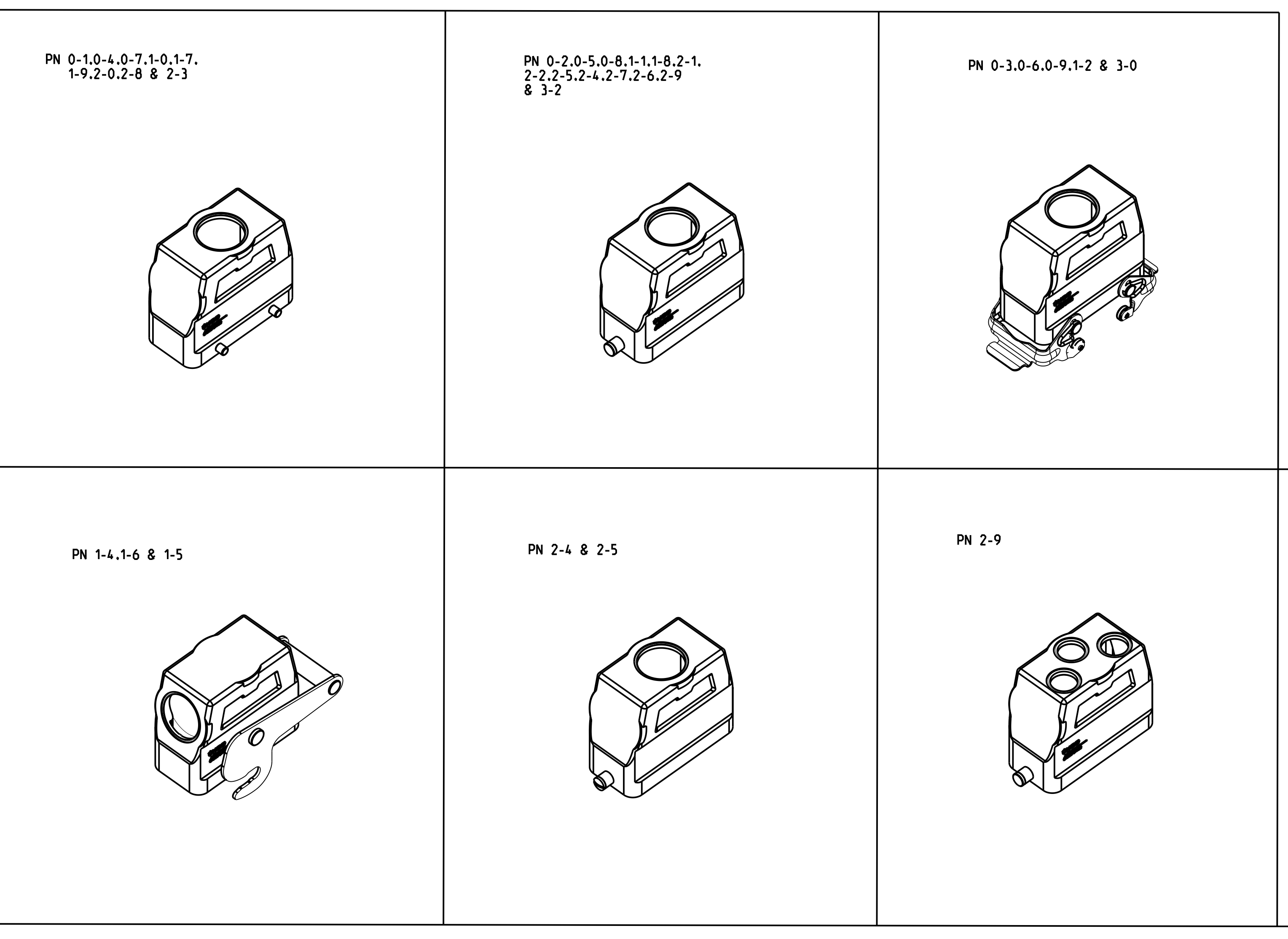
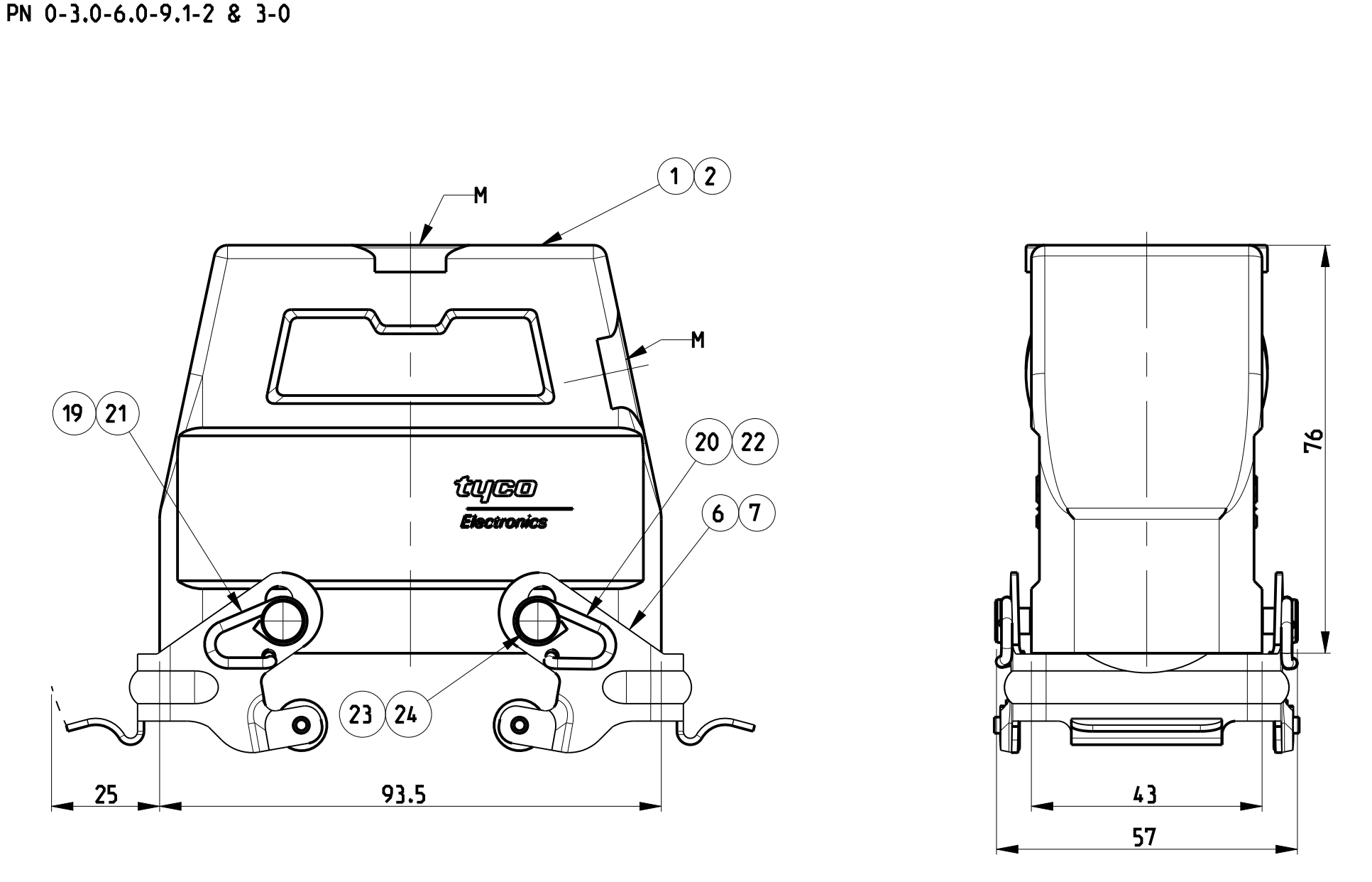
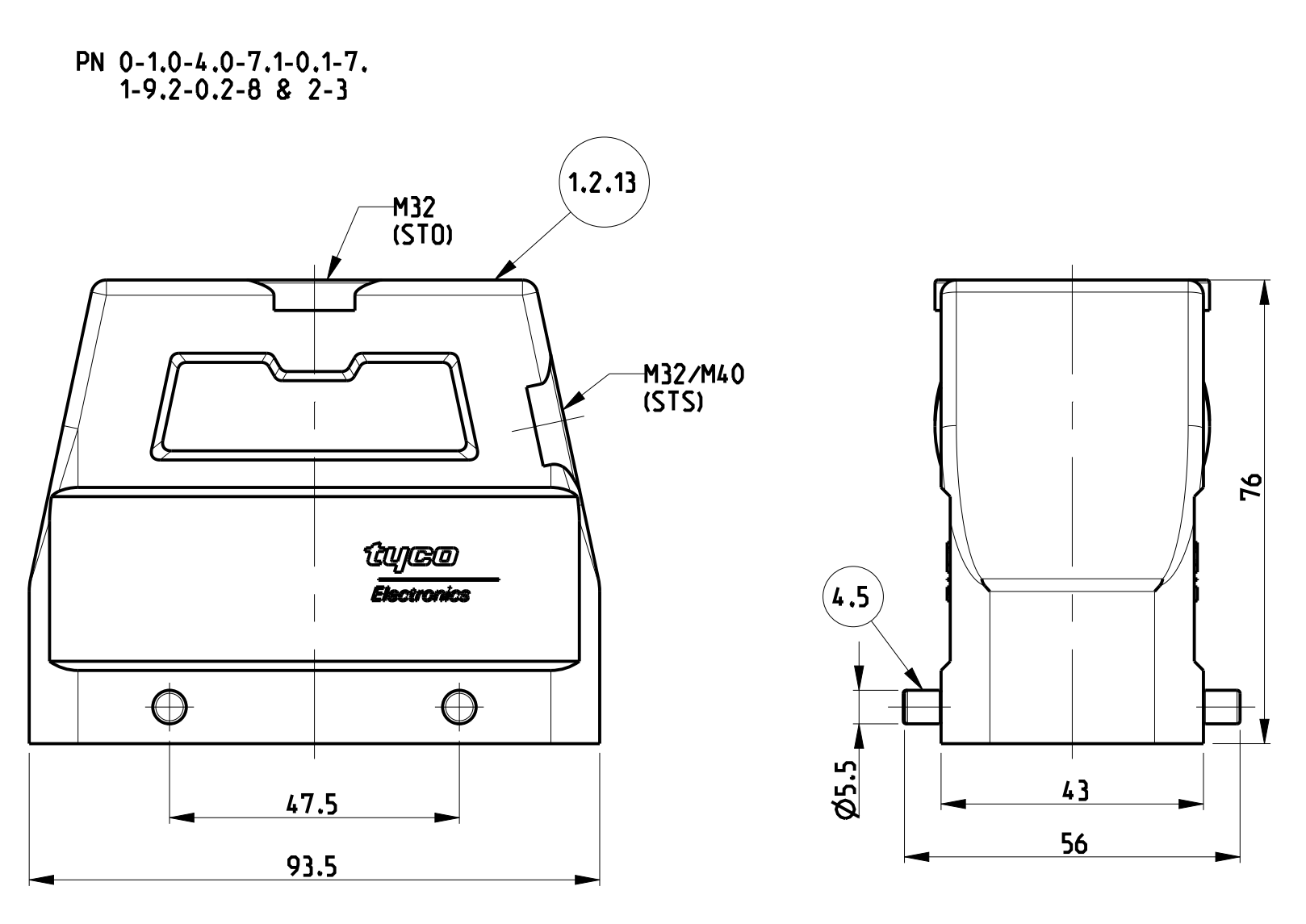
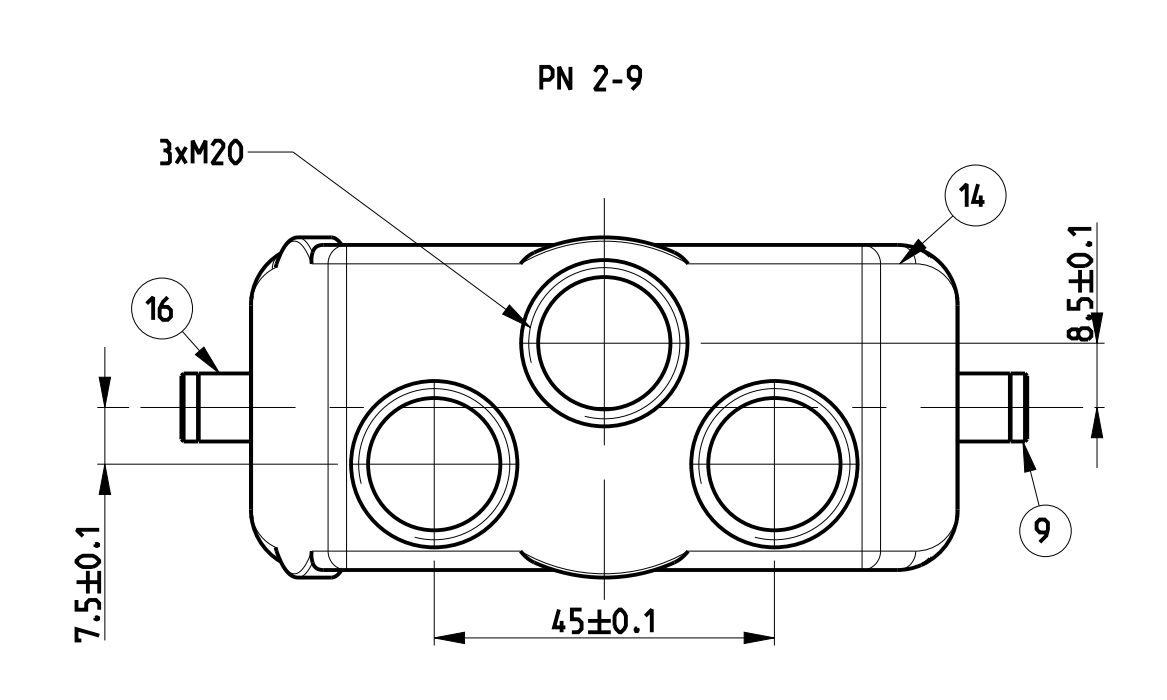
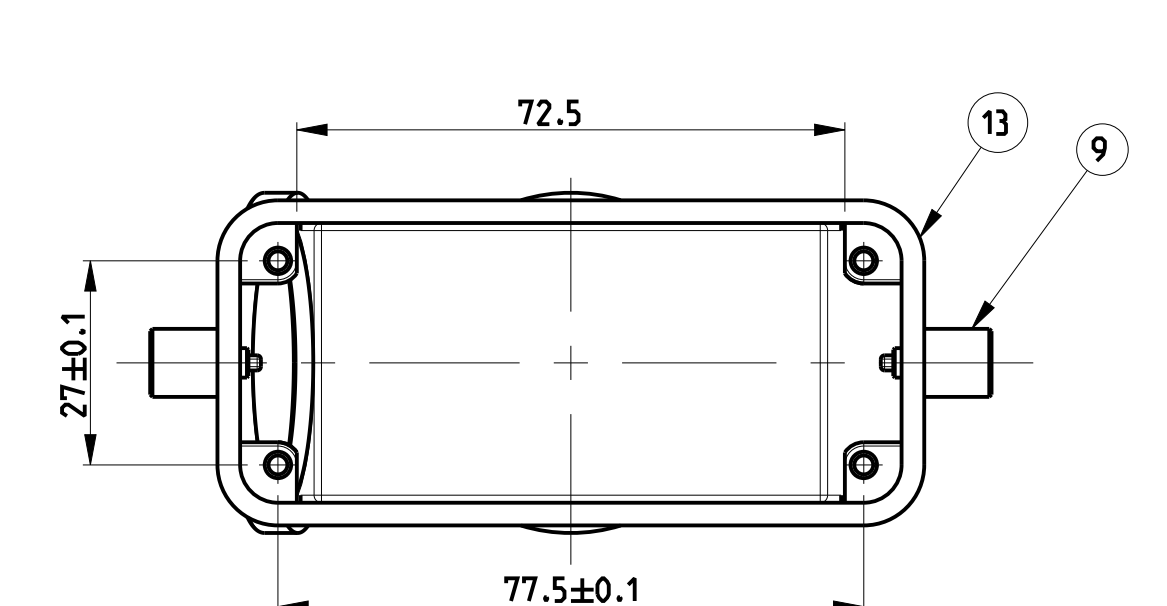


REV	DATE	DESCRIPTION	DATE	BY	APPV
A16	ECR-10-01573		08.04.2010	SR	AR
A17	ECR-14-012603		10SEP2014	RK	MKO
A18	ECR-14-014129		29SEP2014	RK	MKO



Valid only for PN 2-7 and 2-8
 Landing at measure 72.5 (20mm Deep) milled off : bothsides



- NOTES
- MATERIAL-HOUSING ALUMINIUM DIECASTING ALLOY
 - SURFACE-POWDER VARNISH-GREY - VARNISH BLACK
 - VARNISH ON THE INSIDE NOT NECESSARY
 - WITH OUT TE LOGO
 - PACKAGING QUANTITY 5 PIECES IN A BOX

QTY	REF	DESCRIPTION	MATERIAL	SURFACE	COLOR	ITEM NO	NOTES
1	1	HD-K HOOD	ALUMINIUM		BLACK	46	
1	1	HD HOOD	ALUMINIUM		GREY	45	
		HD HOOD	ALUMINIUM			44	WITHOUT LOGODRILLING
		HD HOOD	ALUMINIUM			43	WITHOUT LOGODRILLING
		HD HOOD	ALUMINIUM		GREY	42	
		HD HOOD	ALUMINIUM		UNPAINTED	41	SINGLE PART
		HD HOOD	ALUMINIUM		GREY	40	3xM20
		LB-CLIP BOLT	STEEL	ZINC PLATED	BLUE	39	M5
		HD-K HOOD	ALUMINIUM	ALUMINIUM OXIDE	BLACK	38	
		HD-K HOOD	ALUMINIUM	ALUMINIUM OXIDE	BLACK	37	
		HD HOOD	ALUMINIUM		GREY	36	WITH OUT TE-LOGO
		HD HOOD	ALUMINIUM		GREY	35	WITH OUT TE-LOGO
		HD HOOD	ALUMINIUM		GREY	34	WITH OUT TE-LOGO
		HD HOOD	ALUMINIUM		GREY	33	
		ZB-CLIP POSITIONER	STAINLESS STEEL			32	
		ZB-CLIP POSITIONER	STEEL	ZINC PLATED	BLUE	31	
		ZB-LOCKING CLIP	STAINLESS STEEL	BLANK		30	
		ZB-LOCKING CLIP	STEEL	ZINC PLATED	BLUE	29	
		LB-SLIDE SPOOL	STEEL	ZINC PLATED	BLUE	28	
		LB-CLIP BOLT	STAINLESS STEEL	BLANK		27	
		ZB-CLIP BOLT	STEEL	ZINC PLATED	BLUE	26	
		VS-CLIP SPRING RIGHT	STAINLESS STEEL	BLANK		25	
		VS-CLIP SPRING RIGHT	STEEL	ZINC PLATED	BLUE	24	
		VS-CLIP SPRING LEFT	STAINLESS STEEL	BLANK		23	
		VS-CLIP SPRING LEFT	STEEL	ZINC PLATED	BLUE	22	
		VS-CLIP POSITIONER	STAINLESS STEEL	BLANK		21	
		VS-CLIP POSITIONER	STEEL	ZINC PLATED	BLUE	20	
		VS-LOCKING CLIP	STAINLESS STEEL	BLANK		19	
		VS-LOCKING CLIP	STEEL	ZINC PLATED	BLUE	18	
		VS-CLIP BOLT	STAINLESS STEEL	BLANK		17	
		VS-CLIP BOLT	STEEL	ZINC PLATED	BLUE	16	
		HD HOOD	ALUMINIUM		GREY	15	WITH OUT TE-LOGO
		HD HOOD	ALUMINIUM		GREY	14	WITH OUT TE-LOGO
		HD HOOD	ALUMINIUM		GREY	13	WITH OUT TE-LOGO
		HD HOOD	ALUMINIUM		GREY	12	WITH OUT TE-LOGO
		HD HOOD	ALUMINIUM		GREY	11	
		HD HOOD	ALUMINIUM		GREY	10	
		HD-K HOOD	ALUMINIUM	ALUMINIUM OXIDE	BLACK	9	
		HD-K HOOD	ALUMINIUM	ALUMINIUM OXIDE	BLACK	8	
		HD-K HOOD	ALUMINIUM	ALUMINIUM OXIDE	BLACK	7	
		HD-K HOOD	ALUMINIUM	ALUMINIUM OXIDE	BLACK	6	
		HD-K HOOD	ALUMINIUM	ALUMINIUM OXIDE	BLACK	5	
		HD HOOD	ALUMINIUM		GREY	4	
		HD HOOD	ALUMINIUM		GREY	3	
		HD HOOD	ALUMINIUM		GREY	2	
		HD HOOD	ALUMINIUM		GREY	1	

THIS DRAWING IS A CONTROLLED DOCUMENT. DATE: 14.01.2002. DRAWN BY: SCHNEIDER. CHECKED BY: SCHWEIGER. DATE: 14.01.2002.

ORDERING TEXT: HD .40.STO/STS.M32/M4.0.G

Customer Drawing: A0 00779 1106452

X-ON Electronics

Largest Supplier of Electrical and Electronic Components

Click to view similar products for [Heavy Duty Power Connectors](#) category:

Click to view products by [TE Connectivity](#) manufacturer:

Other Similar products are found below :

[1424439](#) [1424438](#) [09330062652](#) [2-8675P1](#) [605601-1](#) [6340G1](#) [6341G1](#) [6360G1](#) [6373G1](#) [6374g2](#) [6396G1](#) [647757-1](#) [66394-4](#) [6643411-1](#)
[6646058-2](#) [6646137-1](#) [6646138-1](#) [6646348-1](#) [6646479-1](#) [6646608-1](#) [6646786-1](#) [6646940-1](#) [6651091-1](#) [6651525-1](#) [6651529-1](#) [6651778-1](#)
[6651788-1](#) [696465-1](#) [696475-1](#) [73000005059](#) [73000005349](#) [73000005642](#) [73080255059](#) [73080965046](#) [765-15-0080A](#) [765-16-0080B](#)
[789.700-44](#) [789.700-54](#) [80-1010](#) [80-9](#) [827381-1](#) [829992-1](#) [902-77-02113](#) [PL00U-301-10D10](#) [PM103MOOLOO](#) [PM16S1620S32-50](#)
[PM212MOOLOO](#) [PM309FOOLOO](#) [PM324FOOLCH](#) [PMHPAF11S03](#)