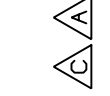
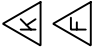
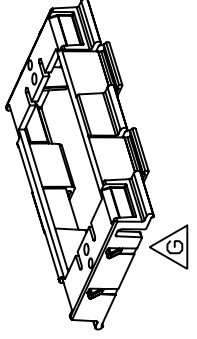
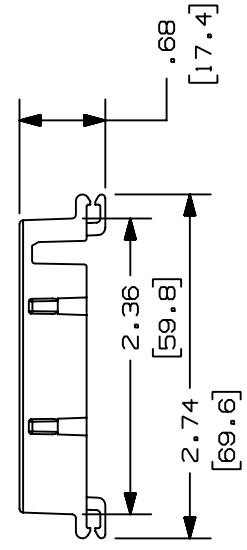
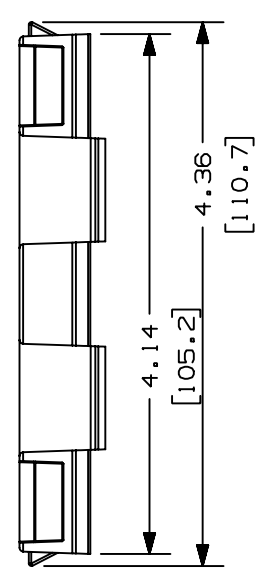
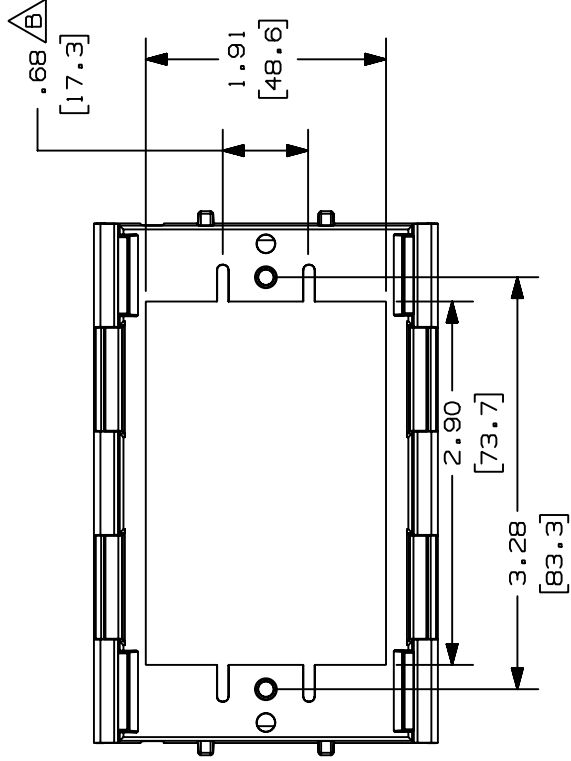


THIS COPY IS PROVIDED ON A RESTRICTED BASIS AND IS NOT TO BE USED IN ANY WAY DETRIMENTAL TO THE INTERESTS OF PANDUIT CORP.

PANDUIT P/N	WEIGHT
T70DB	.05 LB / EACH [ 24.679 / EACH ]



- NOTES:
- SEE CURRENT CATALOG FOR ADDITIONAL PART SUFFIXES TO INDICATE COLOR AND OR PACKAGE QUANTITY.
  - USED TO MOUNT NEMA STANDARD ELECTRICAL RECEPTACLES AND BRAZILIAN POWER RECEPTACLES IN 70mm RACEWAYS.
  - NOMINAL WALL THICKNESS OF THE T70DB IS .100(2.5).
  - DIMENSIONS IN PARENTHESIS ARE IN METRIC.
  - ACCEPTS PANDUIT SNAP-ON STYLE FACEPLATES.



CAD FILENAME/LAYERS D35541CF\_DC\_T70DB\_04B.PRT

PANDUIT		CORP. TINLEY PARK, ILLINOIS	
70mm HANGING DEVICE BRACKET (T70DB)		CUSTOMER DRAWING	
UNLESS OTHERWISE SPECIFIED, DIMENSIONAL TOLERANCES ARE: (.X) ± (.XXX) ±.010(.3) (.XX) ±.03(.8) ANGLES ±		UNLESS OTHERWISE SPECIFIED, ALL DIMENSIONS ARE GIVEN IN INCHES, THIRD ANGLE PROJECTION.	
SCALE	NONE		
DRAWN BY	MATT'L:		
DATE	DW	CEP	CEP
09-20-96	CEP	CEP	CEP
CHECKED BY	CEP	CUST	SUP
ECN	35541-32	35541-32	35541-32
DESCRIPTION	RELEASED TO PRODUCTION	35541-32	35541-32
REV	DATE	BY	CHK
R	09-20-96	DW	CEP
1	02-17-97	DW	CEP
2	05-11-98	DW	HIW
3	12-20-98	MSO	HIW
4	03-05-01	REWE	BKR
5	04-08-01	REWE	BKR
K. REVISED WEIGHT AND UNITS J. REVISED NOTE #2: 70mm WAS T-70 AND TWIN-70 H. TWIN-70 WAS T702 G. REVISED PART GEOMETRY; REVISED SLOT F. 5.08 LB (2652g) WAS 4.62 LB (2411g) E. PVC WAS ABS/POLYCARBONATE C. REVISED WEIGHT AND ADDED NOTE 5 B. DIMENSIONS REVISED TO SHOW NEW FEATURES A. ADDED WEIGHT			
D35541CF_DC_T70DB_04B.PRT			

DWG NO. 35541-32  
SIZE A

## X-ON Electronics

Largest Supplier of Electrical and Electronic Components

*Click to view similar products for [Wire Ducting & Raceways](#) category:*

*Click to view products by [Panduit](#) manufacturer:*

Other Similar products are found below :

[FG5EI25-A](#) [PED12](#) [PED8](#) [PEVEP](#) [FXOE3-10M3](#) [FZD3-3M2](#) [FZLE10-10M2](#) [FZOE10-10M1](#) [FZOLE10-10M2](#) [FZPE3-10M2](#) [923223-000](#)  
[PRAF6WH-X](#) [A0405538](#) [1301150342](#) [1301230083](#) [1301150343](#) [1301230086](#) [1301240054](#) [AX101472](#) [AX102652](#) [AX102653](#) [AX102737](#)  
[S62DS](#) [S65DS](#) [S75DSH](#) [A0405536](#) [A0405537](#) [A0649869](#) [FXOD3-3M1](#) [FXOE10-10M2](#) [FZLD3-3M2](#) [FZOE3-10M1](#) [FZOE3-10M2](#)  
[FZOLE3-10M2](#) [FZOPE10-10M1](#) [FZPD3-3M2](#) [PZRFE4](#) [PZWIFIEN](#) [PZWIFIENA](#) [CNPSNH](#) [CNSPC](#) [5400ES](#) [WDLT-1216-72](#) [655287-000](#)  
[S75DS](#) [1301180028](#) [801A-LSP](#) [TGECAW](#) [206461-000](#) [853425-000](#)