

**RoHS**  
**2002/95/EC**  
**Compliant**

**PLAIN - EMC SEALED IP68**

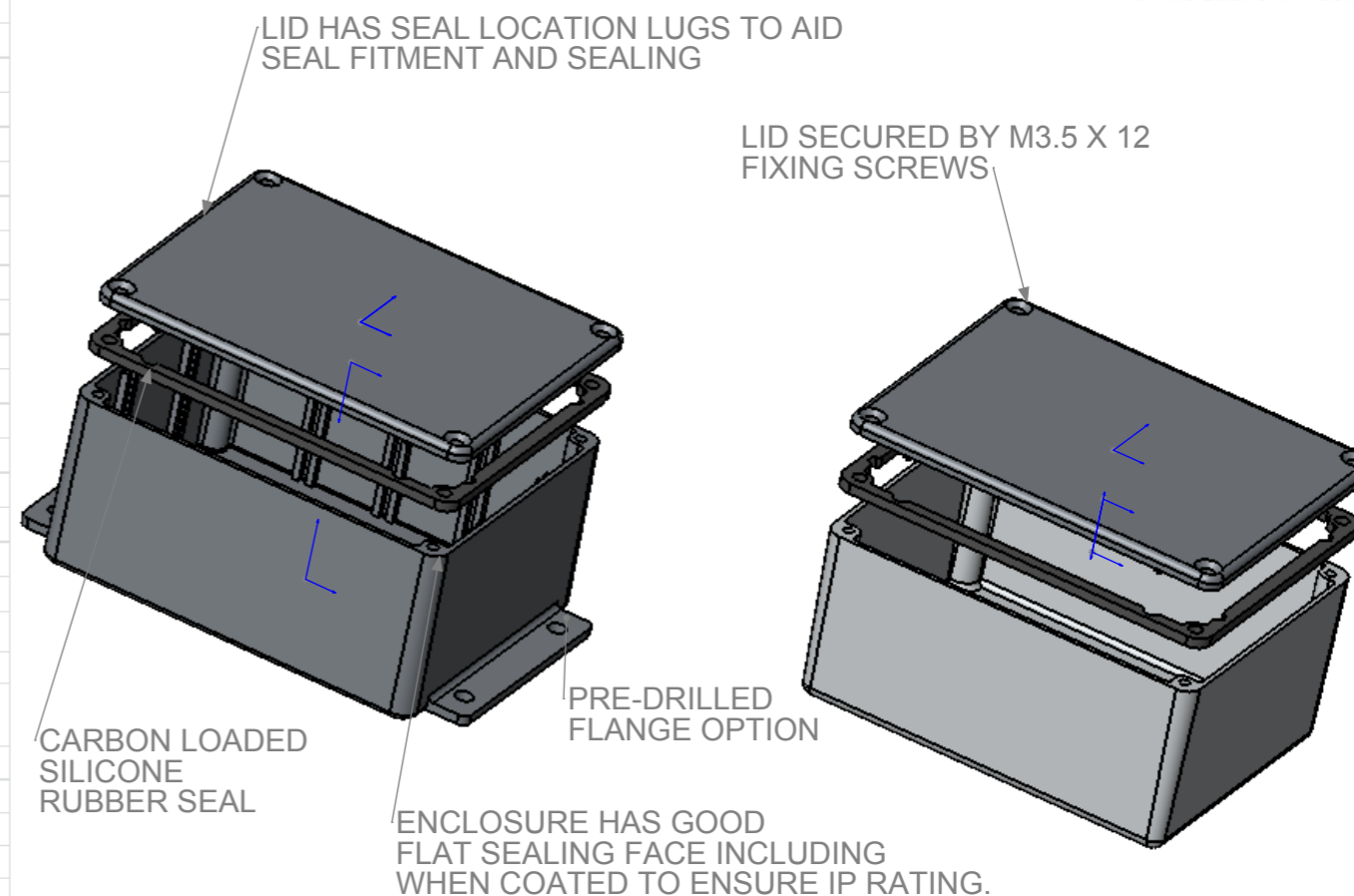
| PCB GUIDE | BOX SIZE (MM) |       |       |       | Screw Qty | Size     | ORDER CODE    |              |  |
|-----------|---------------|-------|-------|-------|-----------|----------|---------------|--------------|--|
|           | L             | W     | H     | Plain |           |          | Powder Coated | Nylon Coated |  |
|           | 88.9          | 34.9  | 30.5  | 4     | A         | 480-C010 | 481-C010 **   | 482-C010 **  |  |
|           | 114.3         | 63.5  | 30.5  | 4     | B         | 480-C020 | 481-C020 **   | 482-C020 **  |  |
|           | 114.3         | 88.9  | 55.9  | 4     | C         | 480-C030 | 481-C030 **   | 482-C030 **  |  |
|           | 114.3         | 64.5  | 55.9  | 4     | D         | 480-C040 | 481-C040 **   | 482-C040 **  |  |
|           | 171.5         | 120.6 | 55.9  | 6     | E         | 480-C050 | 481-C050 **   | 482-C050 **  |  |
|           | 171.5         | 120.6 | 106.7 | 6     | F         | 480-C060 | 481-C060 **   | 482-C060 **  |  |
|           | 222.3         | 146   | 56    | 6     | G         | 480-C070 | 481-C070 **   | 482-C070 **  |  |
|           | 222.3         | 146   | 106.7 | 6     | H         | 480-C080 | 481-C080 **   | 482-C080 **  |  |
| *         | 275           | 175   | 66    | 6     | J         | 480-C090 | 481-C090 **   | 482-C090 **  |  |
| *         | 139.7         | 101.6 | 77    | 4     | K         | 480-C100 | 481-C100 **   | 482-C100 **  |  |
| *         | 165           | 127   | 77    | 6     | L         | 480-C110 | 481-C110 **   | 482-C110 **  |  |
| *         | 120           | 100   | 36    | 4     | M         | 480-C120 | 481-C120 **   | 482-C120 **  |  |
| *         | 250           | 250   | 100.3 | 8     | N         | 480-C130 | 481-C130 **   | 482-C130 **  |  |
| *         | 80            | 55    | 26    | 4     | P         | 480-C140 | 481-C140 **   | 482-C140 **  |  |
| *         | 60            | 55    | 31    | 4     | Q         | 480-C150 | 481-C150 **   | 482-C150 **  |  |

\* Boxes with PCB guides      \*\* Colour option - Code Suffix: Grey = A    Blue = B    Black = E

**FLANGED - EMC SEALED IP68**

| PCB GUIDE | BOX SIZE (MM) |             |       |       | Screw Qty | Size | ORDER CODE |               |              |
|-----------|---------------|-------------|-------|-------|-----------|------|------------|---------------|--------------|
|           | L             | L (exc Flg) | W     | H     |           |      | Plain      | Powder Coated | Nylon Coated |
| *         | 114.3         | 89.2        | 35.15 | 30.5  | 4         | A    | 483-C010   | 484-C010**    | 485-C010**   |
| *         | 139.7         | 114.1       | 63.6  | 30.5  | 4         | B    | 483-C020   | 484-C020**    | 485-C020**   |
| *         | 139.7         | 114.2       | 63.7  | 55.9  | 4         | C    | 483-C030   | 484-C030**    | 485-C030**   |
| *         | 139.7         | 114.7       | 89.15 | 55.9  | 4         | D    | 483-C040   | 484-C040**    | 485-C040**   |
| *         | 202           | 171.8       | 120.8 | 55.9  | 6         | E    | 483-C050   | 484-C050**    | 485-C050**   |
| *         | 202           | 171.8       | 120.8 | 106.7 | 6         | F    | 483-C060   | 484-C060**    | 485-C060**   |
| *         | 252           | 222.6       | 146.4 | 55.9  | 6         | G    | 483-C070   | 484-C070**    | 485-C070**   |
| *         | 170           | 140         | 101.6 | 77    | 4         | K    | 483-C100   | 484-C100**    | 485-C100**   |
| *         | 152           | 120         | 100.2 | 36    | 4         | M    | 483-C120   | 484-C120**    | 485-C120**   |

\* Boxes with PCB guides      \*\* Colour option - Code Suffix: Grey = A    Blue = B    Black = E



- A RANGE OF DIE CAST ALUMINUM ENCLOSURE SEALED TO BS EN 60529:1992 IP66, IP67 AND IP68 (5Mtrs for 1 hour)
- CARBON LOADED SEMI CONDUCTIVE SILICONE RUBBER SEAL AP701/2
- MIN SEAL THICKNESS 3.0MM - MIN SEAL FRAME WIDTH 4.0MM
- MIN ENCLOSURE WALL THICKNESS 1.5MM
- MIN ENCLOSURE LID THICKNESS 1.5MM

INTERPOLATED SIZES ARE PERMITTED PROVIDED THE MINIMUM CENTRES ARE MAINTAINED IN ACCORDANCE WITH THE 455/459 SERIES SPECIFICATION

**PROPRIETARY AND CONFIDENTIAL**  
THE INFORMATION CONTAINED IN THIS DRAWING IS THE SOLE PROPERTY OF **DEM MANUFACTURING**. ANY REPRODUCTION IN PART OR AS A WHOLE WITHOUT THE WRITTEN PERMISSION OF **DEM MANUFACTURING** IS PROHIBITED.



Drawn by W.COXON 27/05/09  
FINISH: AS ABOVE  
THIRD ANGLE PROJECTION  
DEBUR AND BREAK SHARP EDGES  
IF IN DOUBT ASK DO NOT SCALE DRAWING

UNLESS OTHERWISE SPECIFIED: DIMENSIONS ARE IN MILLIMETRES  
LINEAR TOLERANCES:  
NO DECIMAL PLACES ±0.5mm  
1 DECIMAL PLACE ±0.1mm  
2 DECIMAL PLACES ±0.03mm  
ANGULAR TOLERANCES: ±1°  
MATERIAL:

A3  
TITLE: GENERAL SPECIFICATION IP68 EMC RANGE OF ENCLOSURES  
DWG NO. 48x-C IP68 EMC RANGE  
SCALE: 1:2  
SHEET 1 OF 1

## X-ON Electronics

Largest Supplier of Electrical and Electronic Components

*Click to view similar products for [Enclosures, Boxes, & Cases](#) category:*

*Click to view products by [Deltron](#) manufacturer:*

Other Similar products are found below :

[CR-425 PAINTED](#) [585-R-WH-PK](#) [M-10-PLATED](#) [60221-01](#) [60566-01-000](#) [HPL-9VB BATT DOOR](#) [M-16-LID-PLATED](#) [M18-PLTD](#) [M-21-LID-PLATED](#) [M-21-PLATED](#) [M-23-PLATED](#) [CU-281-MB](#) [6711GSKT](#) [71884-29-028](#) [LH45-100 Black](#) [7200B](#) [72868-510-000](#) [CNS-0000 Black](#) [72883-510-000](#) [CNS-0101 Black](#) [72906-510-000](#) [CNS-0407 Black](#) [73091-510-000](#) [CNM-0000-BLACK Kit](#) [73092-510-000](#) [CNM-0101 Black](#) [73108-510-000](#) [CNL-0303 Black](#) [73395-510-039](#) [CNS-0006 Bone](#) [74257-510-000](#) [CNL-0004](#) [MDC-1183-PLAIN-ALUM](#) [MDC-1183-PTD](#) [MDC-13104-PLAIN-ALUM](#) [MDC-211 - PAINTED IVORY/BEIGE](#) [MDC-321-PTD](#) [MDC-432-PLAIN-ALUM](#) [MDC-973-PTD](#) [76](#) [77153-01-028](#) [FLX6030](#) [83535-01-508](#) [PS-11296-G](#) [PS-11298-B](#) [116-508](#) [120-407](#) [120-412](#) [120-909](#) [120-455](#) [R272-100-000](#) [120-910](#) [R501-001-010](#) [R508-080-000](#) [R508-160-000](#) [R530-120-000](#) [R530-122-000](#) [R530-200-000](#) [R531-160-000](#) [R531-200-000](#) [R582-080-100](#)