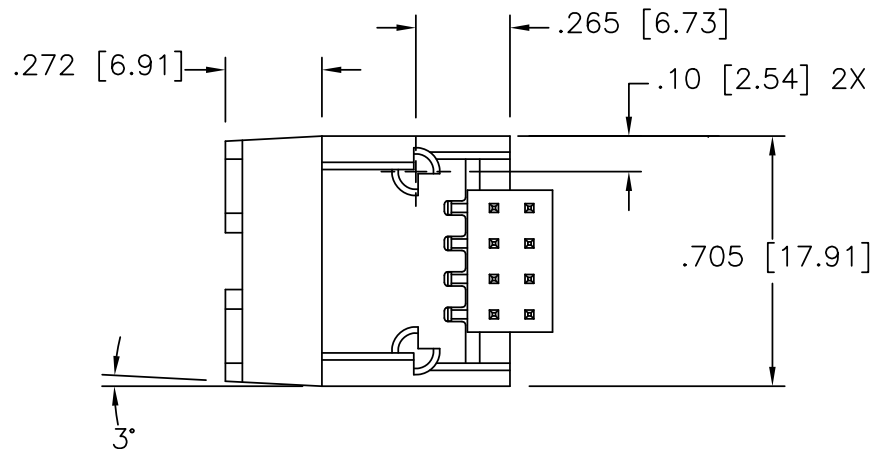
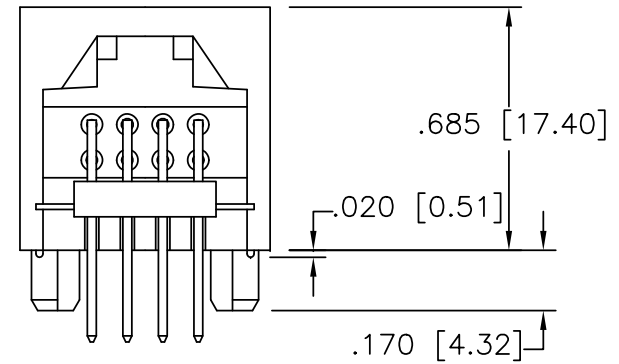
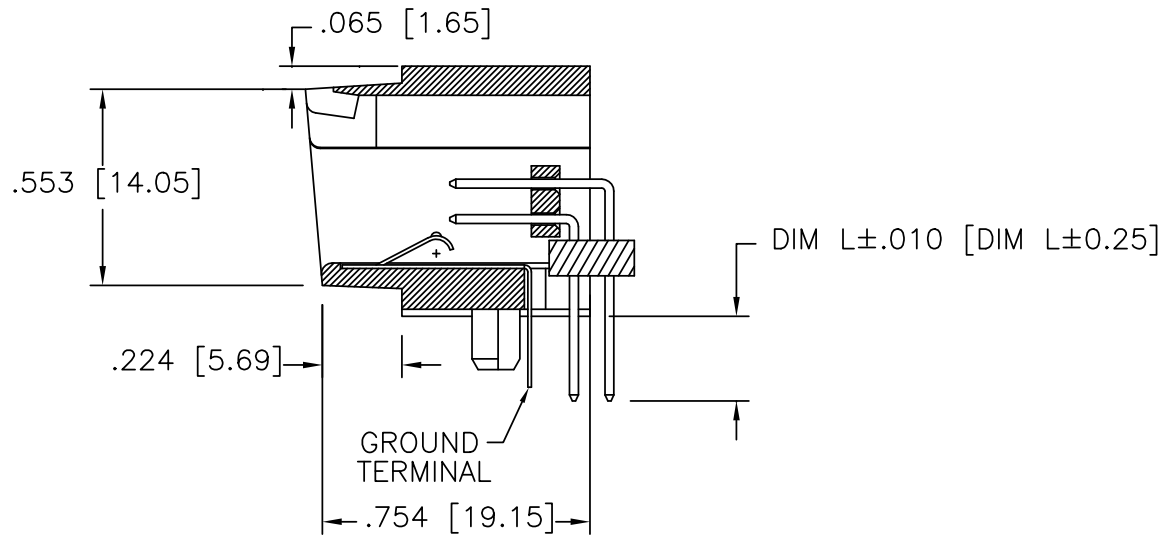


PRODUCT NUMBER
SEE TABLE

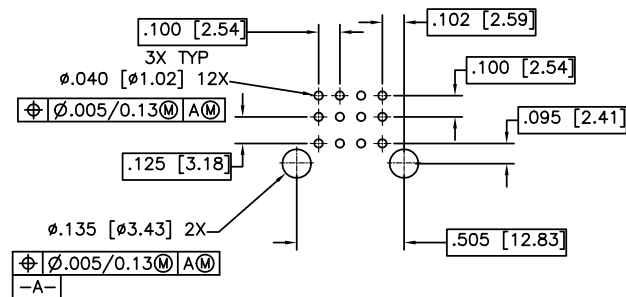


mat'l. code		surface ISO 1302 ✓		tolerance ISO 406 ISO 1101		projection INCH/MM		product family LATCH-N-LOK	
ltr ecn no dr date		tolerances unless otherwise specified		title		scale 2:1		sheet 1 of 2 size	
K	ELX-N-008441	ZK	11/28/11	angles	linea	INCH/MM	2X4 LNL STANDARD RT. ANGLE HEADER ASS'Y		A3
E	V10425	TFG	2/7/01	0°±2°	XXXX±.005/0.000±0.13			dwg no 68293	
F	M05-0033	ERE	2/25/05	dr	XXXX±.0020/0.000±0.05			sheet 1 of 2 size A3	
G	M06-0285	AGS	7/28/06	engr				type Product Customer Drawing	
H	M06-0365	AGS	9/20/06	chr					
J	M09-0048	MHT	3/12/09	app					
sheet revision		K K							
index sheet		1 2							

PRODUCT NUMBER	COLOR (4)	DIM L	LEAD FREE OPTION	
68293-X01	-70343 LT GRAY			OBS
68293-X02	80166 OFF WHITE			
68293-X03	-70634 DK GRAY			OBS
68293-X04	701 BLACK	SEE BELOW	NOTE 6 & 7	
68293-X05	-70511 SLATE GRAY			OBS
68293-X07	70455 SILVER GRAY			
68293-X08	-80189 PEARL WHITE			OBS
68293-X09	70419 PEBBLE GRAY			

PIN LENGTH	
DASH No.	DIM L
68293-0XX	.200/5.08
68293-1XX	.130/3.30
68293-2XX	.270/6.86

DASH No.	PLATING DESCRIPTION
68293-X0X	30u" MIN (NOTE 3) OVER 50u" MIN Ni
68293-X3X	30u" MIN (NOTE 3) OVER 50u" MIN Ni
68293-X5X	50u" MIN (NOTE 3) OVER 50u" MIN Ni



RECOMMENDED PCB LAYOUT

NOTES:

- HEADER SHROUD
MAT'L: HIGH TEMPERATURE THERMOPLASTIC
UL-94V-0 RATED.
- GROUND CONTACT
MAT'L: COPPER ALLOY
PLATING: 100-160u"/2.54-4.06u TIN.
- SIGNAL CONTACT
MAT'L: COPPER ALLOY
PLATING: PERFORMANCE PLATING WILL BE EITHER GOLD OR GXT ON CONTACT AREA OR TAIL, OPTIONALLY (78-295u") TIN ON TAIL.
- NUMBERS SHOWN ARE FOR G.E. LEXAN AND ARE FOR REFERENCE ONLY
- THIS ASSEMBLY U.L. APPROVED PER FILE E66906 VOL. 1, SEC 84 AND CSA APPROVED PER MASTER FILE LR46923.
- ADD LF SUFFIX AT THE END OF PART NUMBER FOR LEAD FREE OPTION.
- THE HOUSING WILL WITHSTAND EXPOSURE TO 260°C PEAK TEMPERATURE FOR 15 SECONDS IN A WAVE SOLDER APPLICATION WITH A 1.5mm MINIMUM THICK CIRCUIT BOARD. SEE APPLICATION NOTES/PROCEDURES IF THEY ARE AVAILABLE.
- THIS PRODUCT MEETS EUROPEAN UNION DIRECTIVES AND OTHER COUNTRY REGULATION AS DESCRIBED IN GS-22-008.
- PRODUCT SPEC: GS-12-003

mat'l. code	surface ISO 1302 ✓	tolerance ISO 406 ISO 1101	projection INCH/MM	product family LATCH-N-LOK
ltr ecn nodr date	tolerances unless otherwise specified		title 2X4 LNL STANDARD RT. ANGLE HEADER ASS'Y	
K	angles 0°±2'	linea XXX±.01/0.X±0.3 XXXX±.005/0.XX±0.13 XXXX±.0020/0.XXX±0.05	scale 1:1	dwg no 68293
	dr D.A. SMITH	1/24/90	FCI	sheet 2 of 2 size A3
	engr D. HORCHLER	11/5/90		type Product Customer Drawing
	chr D. HORCHLER	11/5/90		
sheet index	revision sheet			

X-ON Electronics

Largest Supplier of Electrical and Electronic Components

Click to view similar products for [Headers & Wire Housings](#) category:

Click to view products by [FCT Electronics](#) manufacturer:

Other Similar products are found below :

[95000-104TRLF](#) [10135584-644402LF](#) [DF62W-EP2022PCA](#) [95000-106TRLF](#) [DF62W-2022SCA](#) [DF62W-EP2022PC](#) [2203348](#) [DF62W-2022SC](#) [1084018](#) [1029039](#) [1084017](#) [802-10-012-10-002000](#) [1112640](#) [1112639](#) [000-34000](#) [0009482033](#) [0009507031](#) [57102-S06-03LF](#) [57202-S52-04LF](#) [PCN6-15S-2.5E](#) [0039019024](#) [58102-G61-06LF](#) [582553-1](#) [0009485154](#) [0009508121](#) [0022285053](#) [0050291907](#) [018731A](#) [LY20-4P-DT1-P1E-BR](#) [02.125.8002.8](#) [60101931](#) [60598-1 \(Cut Strip\)](#) [M1625-3R/100](#) [61062-3](#) [61082-181009](#) [636-1427](#) [638009-1](#) [641938-9](#) [641991-4](#) [644168-1](#) [647662-1](#) [65039-019ELF](#) [65781-018](#) [65781-047](#) [65817-002LF](#) [65817-015LF](#) [65863-015LF](#) [66207-023LF](#) [67016-026LF](#) [67046-001LF](#)