



THESE DRAWINGS AND SPECIFICATIONS ARE THE PROPERTY OF NorComp AND SHALL NOT BE REPRODUCED, COPIED OR USED AS THE BASIS FOR THE MANUFACTURE OR SALE OF APPARATUS WITHOUT WRITTEN PERMISSION.

DRAWN: M. SIGMON
CHECKED:

DATE: 03-03-16

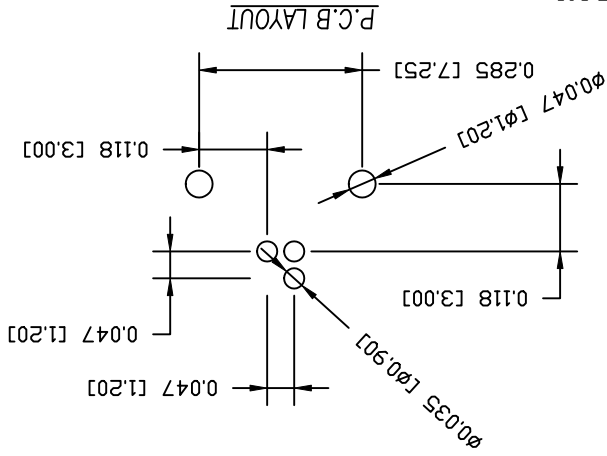
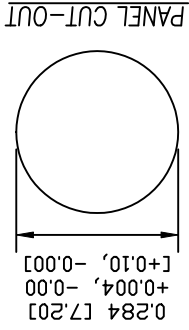
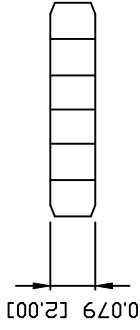
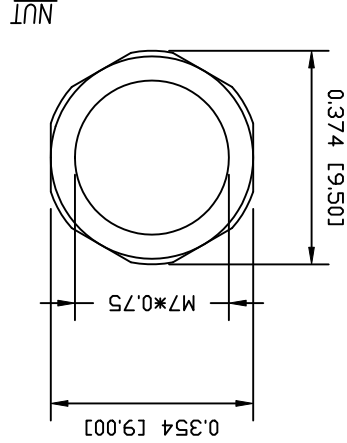
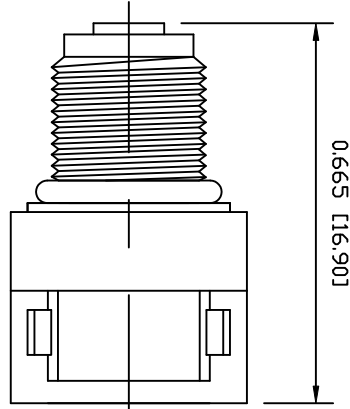
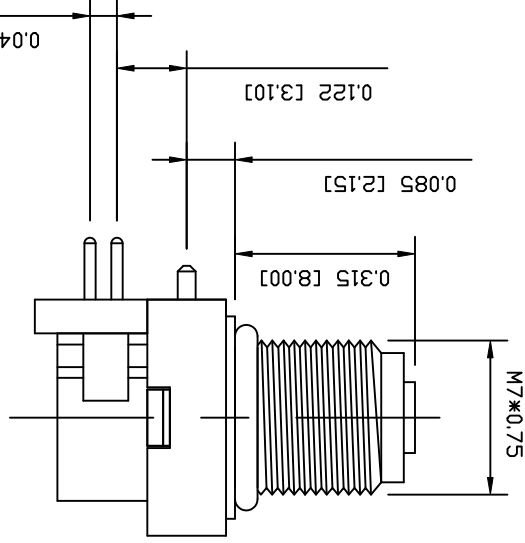
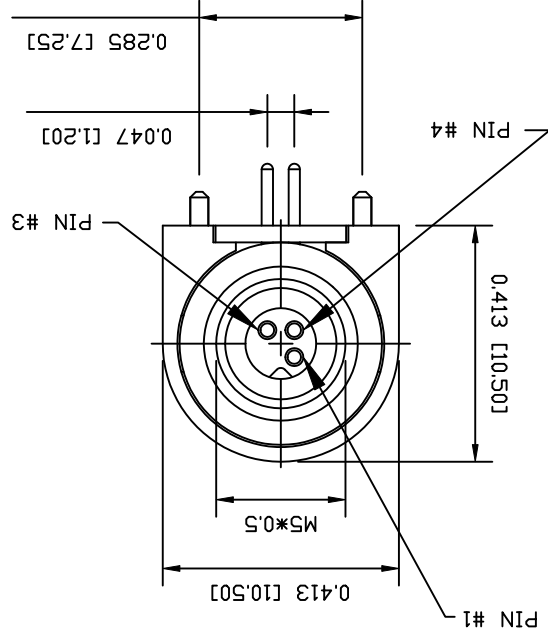
NorComp

SCALE: NTS
DWG NO. 853-003-213R00Y

SHEET 1 OF 1
REV 1

ROHS COMPLIANT

DO NOT SCALE FROM DRAWING



UNITS = INCHES [MM]

DESCRIPTION: M5 FEMALE - RIGHT ANGLE - PANEL MOUNT - 3 POSITION

853-003-213R00Y

NOTE:
MATERIAL: HOUSING: BRASS
CONTACT: BRASS
D-RING: NBR, BLACK
BACK HOUSING: PBT UL94V-0, BLACK
DOWN HOUSING: PBT UL94V-0, BLACK
FINISH: GOLD PLATED
CONTACT: OVER 50µ NICKEL
NUT: NICKEL PLATED
ELECTRICAL: RATED CURRENT: 1A
RATED VOLTAGE: 60V
INSULATION RESISTANCE: 100 MΩms MIN.
CONTACT RESISTANCE: 10 MΩms MAX.
WATER PROOF: IP67
ENVIRONMENT: OPERATION TEMPERATURE: -40°C TO +85°C

1 = GOLD FLASH
4 = 10µ" GOLD

X-ON Electronics

Largest Supplier of Electrical and Electronic Components

Click to view similar products for [Circular Metric Connectors](#) category:

Click to view products by [NorComp](#) manufacturer:

Other Similar products are found below :

[1424048](#) [1021212](#) [600X518037X](#) [6STD09SAM99B70X](#) [6STD15PCR99B70A](#) [8R4000A16M020](#) [1200910002](#) [1201150041](#) [1203580030](#)
[1200700064](#) [1200700263](#) [1200700416](#) [1200730102](#) [1200770002](#) [1-2823588-2](#) [130203-0054](#) [1300140026](#) [1300150099](#) [1-3637-600-5205](#)
[1545399](#) [1594331](#) [1600413](#) [1612606](#) [1612618](#) [1614660](#) [1A4000-348](#) [CA06EW24-10P-B-03](#) [21036836414](#) [2823064-1](#) [1610759](#) [A1642LK-](#)
[II-T](#) [1R3006A20M005](#) [41-01016](#) [41-40011](#) [41-40017](#) [42-00006](#) [42-01015](#) [4-22279-4](#) [4-22281-1](#) [4-22284-9](#) [43-00002](#) [43-00113](#) [43-00130](#)
[43-01028](#) [43-01034](#) [43-01088](#) [43-01090](#) [43-01203](#) [43-01209](#) [43-01335](#)