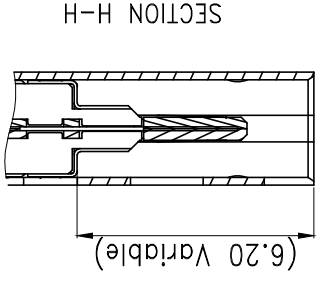
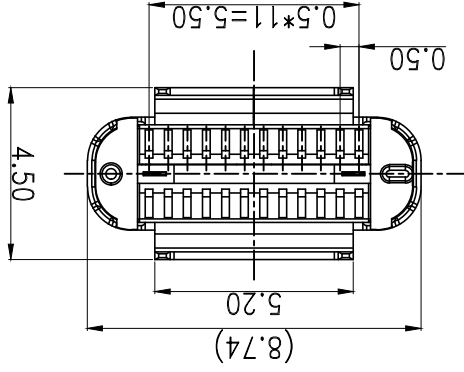
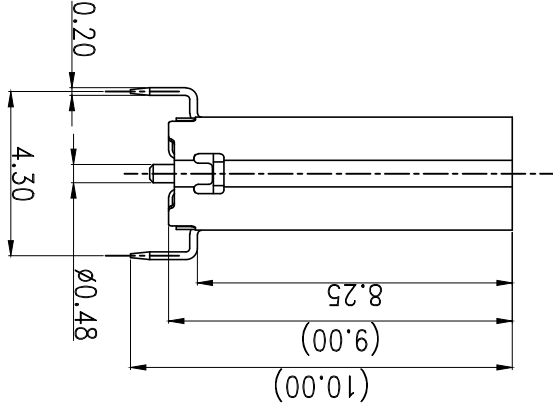
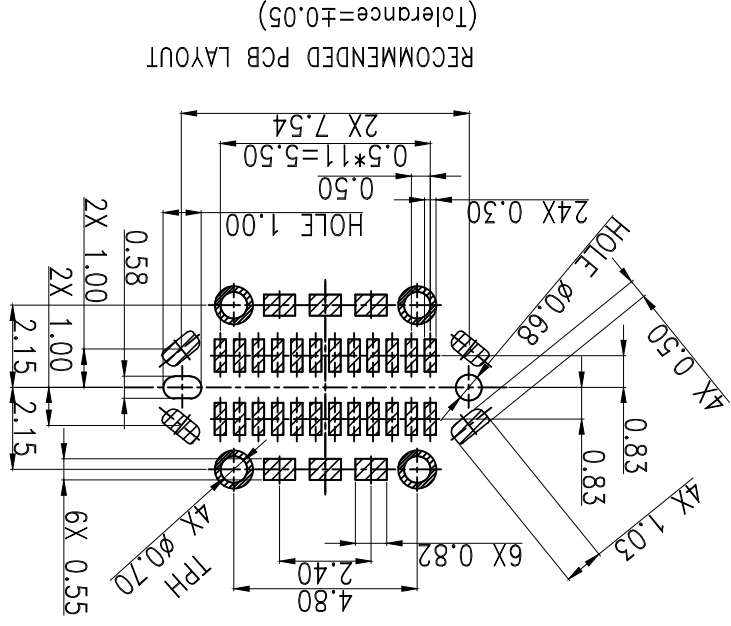
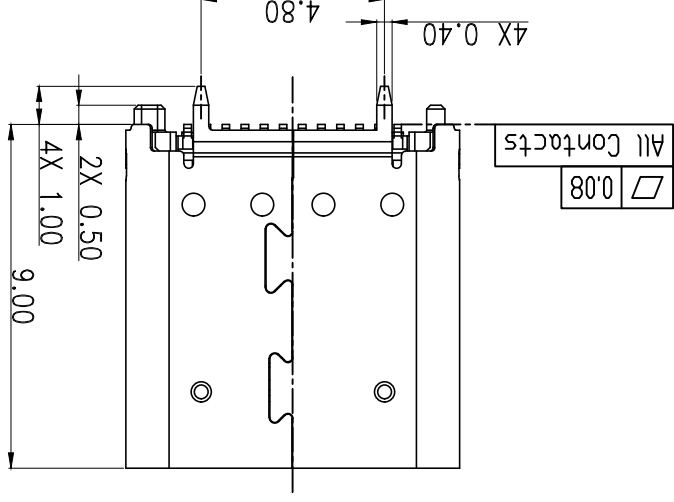
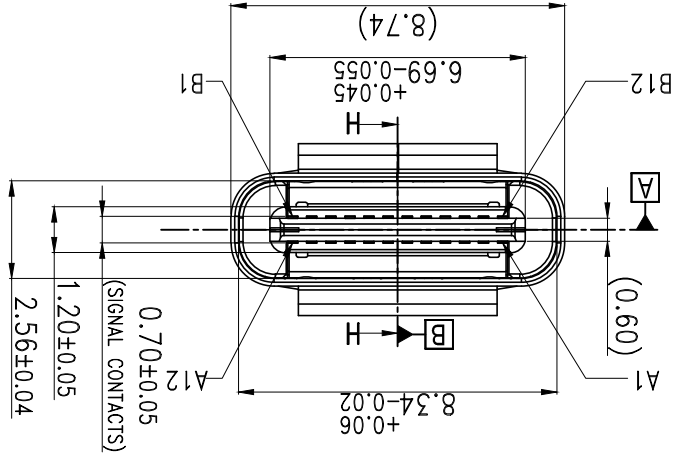
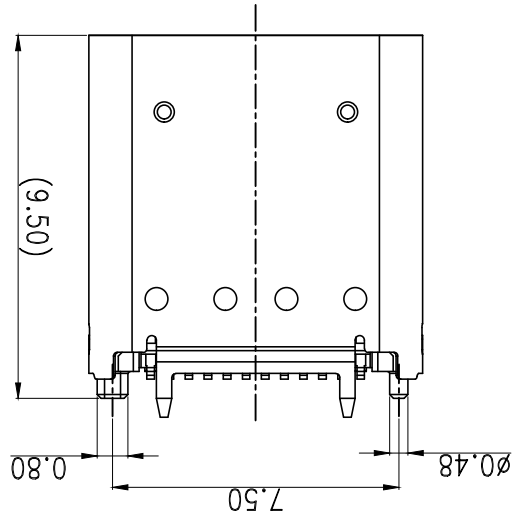
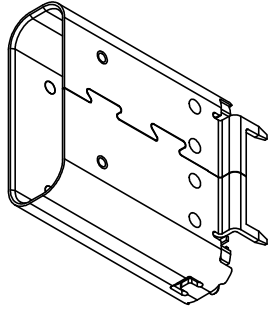


This document is the property of Amphenol Corporation and is delivered on the express condition that it is not to be disclosed, reproduced or used, in whole or in part, for manufacture or sale by anyone other than Amphenol Corporation without the prior consent, & that no right is granted to disclose or to use any information in this document.

# REFERENCE DRAWING



Notes:  
 1. Material : Contacts : copper alloy  
 Shell : Stainless steel.  
 Housing : High-temperature polymer UL94V-0, black.  
 2. Plating : Contacts:contact area 30u" Au, Solder tail gold flash or matte tin, nickel overall.  
 Shell : Nickel Plating  
 3. Coplanarity : 0.08Max.  
 4.P/N : 12401661E4#2A.  
 5. Packaging type: carrier tape.  
 6. Material should be fulfilled Amphenol spec# SSN002  
 AND Customer Requirements,for halogen free products,  
 also need to meet SSN004

Pin	Signal	Mating	No Name Sequence	Pin	Signal	Mating	No Name Sequence
A1	GND	First	B12	GND	First	B12	GND
A2	TX1+	Second	B11	RX1+	Second	B11	RX1+
A3	TX1-	Second	B10	RX1-	Second	B10	RX1-
A4	Vbus	First	B9	Vbus	First	B9	Vbus
A5	CC1	Second	B8	SBU2	Second	B8	SBU2
A6	D+	Second	B7	D-	Second	B7	D-
A7	D-	Second	B6	D+	Second	B6	D+
A8	SBU1	Second	B5	CC2	Second	B5	CC2
A9	Vbus	First	B4	Vbus	First	B4	Vbus
A10	RX2-	Second	B3	TX2-	Second	B3	TX2-
A11	RX2+	Second	B2	TX2+	Second	B2	TX2+
A12	GND	First	B1	GND	First	B1	GND

REVISIONS		DATE	DESCRIPTION	APPROVED
SYM	EEN	1509****	NEW RELEASE	Tom
X2	1604****	04/22/16	MODIFY THE LENGHT	Tom

UNLESS OTHERWISE SPECIFIED		APPROVAL		DATE	
TOLERANCES		DRAWN		04/22/16	
METRIC		MICHAEL		04/22/16	
U.S.		WELSON		04/22/16	
FRACTIONS		CHECKED		04/22/16	
ANGLES		CHECKED		04/22/16	
REMOVE SHARP EDGES		DRAWING FILE :		Amphenol	
FOR MATERIALS AND FINISHES		TITLE		USB TYPE C CONNECTOR	
SEE NOTES		DRAWING NO.		12401661E4#2A	
DIMENSIONS		SCALE		NONE	
U.S.		SIZE		A3	
INCHES		DRAWING NO.		12401661E4#2A	
(MM)		REV.		X2	

1 2 3 4 A B C D

## X-ON Electronics

Largest Supplier of Electrical and Electronic Components

*Click to view similar products for [USB Connectors](#) category:*

*Click to view products by [Amphenol](#) manufacturer:*

Other Similar products are found below :

[10033527-N3112MLF](#) [17-210561](#) [GMCB05B11124H1EU](#) [17-200931](#) [65-647-8-BK-BU](#) [690-010-295-484](#) [73725-1191BLF](#) [950](#) [E8144-B01021-L](#) [A-USB A-LP-SMT-C](#) [A-USB B-TOP-C](#) [MUSBA511N5](#) [MUSBB15131](#) [MUSBC111M5](#) [MUSBD11135](#) [217450-1](#) [CA 6 W LD](#)  
[896-30-004-00-000000](#) [KUSBVX-BS1N-W30](#) [KUSBX-AP-KIT-SCBLK](#) [KUSBX-AS2N-W](#) [KUSBX-SMT2AP1S-W](#) [KUSBX-](#)  
[SMTBS1NBTR](#) [30-498-6](#) [SK-60A-2](#) [17-200261](#) [17-210051](#) [1734082-1](#) [FK-37-32SL](#) [30-1574](#) [30-470](#) [30-489](#) [30-572-3](#) [30-9503](#) [M9177/2-](#)  
[1](#) [MAB 5 S](#) [MIKROE-1451](#) [33UBBR-04SW11R](#) [USBFTV2PEM2G](#) [USBFTVC6ZN](#) [USBFTVSCCG](#) [KUSBX-AS2N-W30](#) [KUSBX-](#)  
[SLAS1N-W](#) [KUSBX-SLAS1N-W30](#) [1-1734084-2](#) [E8110-001-01](#) [MUSBC11135](#) [33UBAR-04SW11](#) [USBF21ZNSCC](#) [USBBFTV6ZC](#)