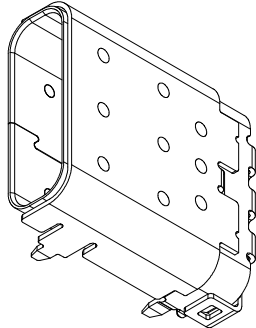
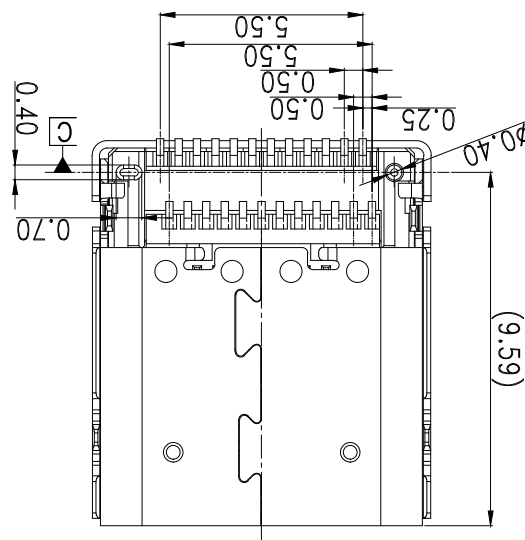
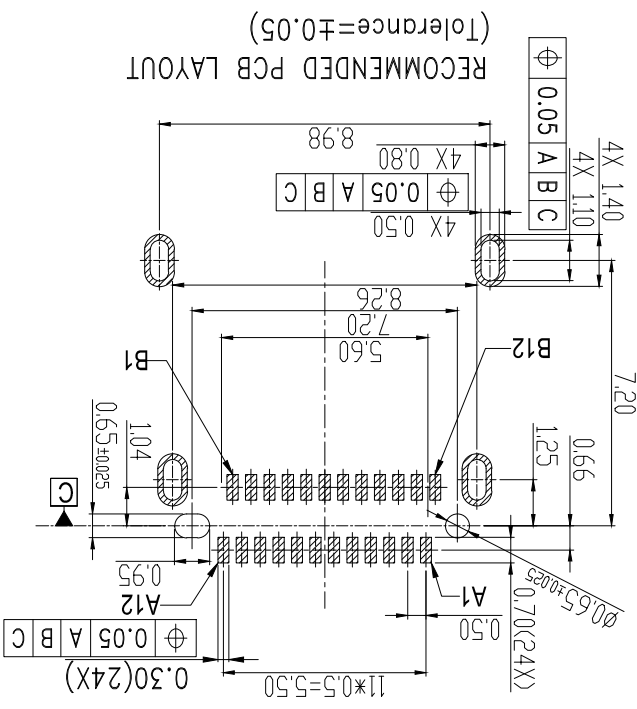
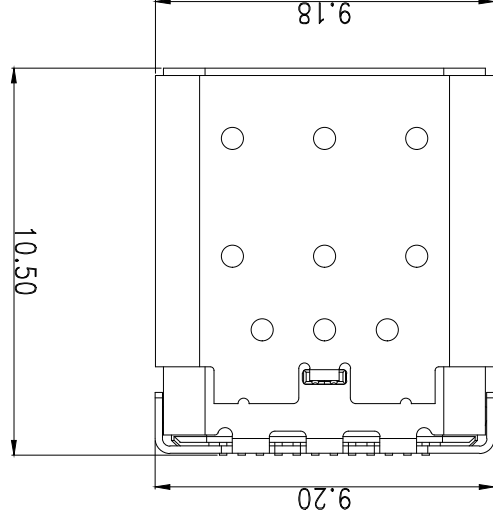
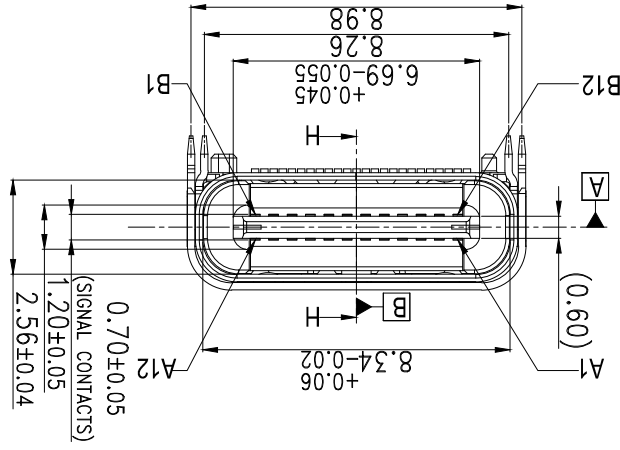
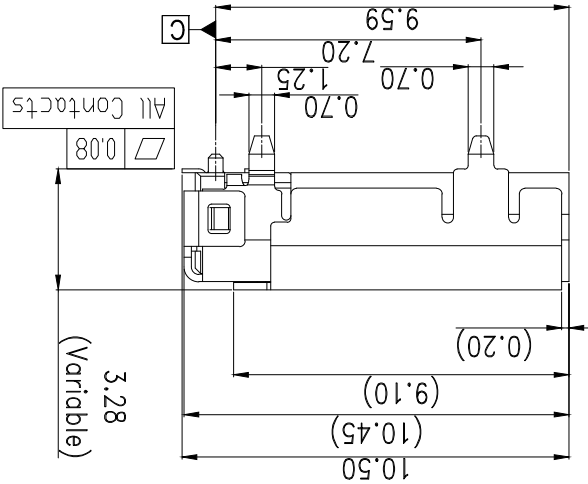
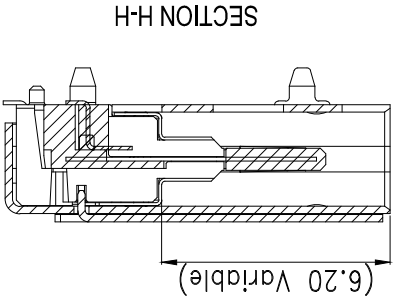
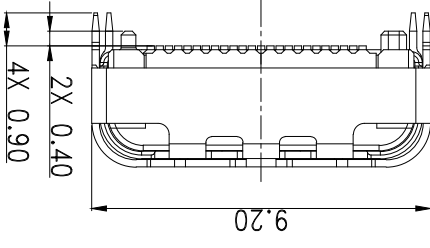


This document is the property of Amphenol Corporation and is delivered on the express condition that it is not to be disclosed, reproduced or used, in whole or in part, for manufacture or sale by anyone other than Amphenol Corporation without the prior consent. & that no right is granted to disclose or to use any information in this document.

REFERENCE DRAWING



Pin	Signal Name	Mating Sequence	Pin	Signal Name	Mating Sequence
A1	GND	First	B12	GND	First
A2	SSTXp1	Second	B11	SSRXp1	Second
A3	SSTXn1	Second	B10	SSRXn1	Second
A4	Vbus	First	B9	Vbus	First
A5	CC1	Second	B8	SBU2	Second
A6	Dp1	Second	B7	Dn2	Second
A7	Dn1	Second	B6	Dp2	Second
A8	SBU1	Second	B5	CC2	Second
A9	Vbus	First	B4	Vbus	First
A10	SSRXn2	Second	B3	SSTXn2	Second
A11	SSRXp2	Second	B2	SSTXp2	Second
A12	GND	First	B1	GND	First
SHELL			SHELL		
GND			GND		



Notes:
 1,Material : copper alloy
 Contacts : copper alloy
 Shell : Stainless steel.
 Housing : High-temperature polymer UL94V-0, black.
 2,Plating :
 Contacts:contact area 30u" Au, Solder tail gold flash or matte tin, nickel overall.
 Shell : Nickel Plating
 3.Coplanarity : 0.08Max.
 4.P/N : 12401610E4#2A.
 5.Packaging type: carrier tape.
 6.Material should be fulfilled Amphenol spec# SSN002
 AND Customer Requirements,for halogen free products,
 also need to meet SSN004

UNLESS OTHERWISE SPECIFIED		TOLERANCES		U.S. METRIC	
X. XX +/-	±0.30	+	+	+	+
X.XX +/-	±0.25	+	+	+	+
.XXX +/-	±0.20	+	+	+	+
ANGLES +/-		FRACTIONS +/-		U.S. METRIC	
SEE NOTES		REMOVE SHARP EDGES		FOR MATERIALS AND FINISHES	
DRAWING FILE :		DIMENSIONS		U.S. INCHES	
DRAWN Michael,qh		DIMENSIONS		U.S. INCHES	
CHECKED Weison,Lu		DIMENSIONS		U.S. INCHES	
DATE 10/20/15		DIMENSIONS		U.S. INCHES	
DATE 10/20/15		DIMENSIONS		U.S. INCHES	
DATE		DIMENSIONS		U.S. INCHES	
APPROVAL		DIMENSIONS		U.S. INCHES	
TITLE		DIMENSIONS		U.S. INCHES	
USB TYPE C CONNECTOR		DIMENSIONS		U.S. INCHES	
RIGHT ANGLE DUAL ROW SMT(TYPE 1)		DIMENSIONS		U.S. INCHES	
REV. X2		DIMENSIONS		U.S. INCHES	
DRAWING NO. 12401610E4#2A		DIMENSIONS		U.S. INCHES	
SCALE NONE		DIMENSIONS		U.S. INCHES	
SHEET 1 OF 1		DIMENSIONS		U.S. INCHES	

Amphenol

SYMBOL	ECN	DESCRIPTION	DATE	APPROVED
X2	1509****	UPDATE	10/20/15	Tom
X1	1504****	NEW RELEASE	04/24/15	Tom
REVISIONS				

X-ON Electronics

Largest Supplier of Electrical and Electronic Components

Click to view similar products for [I/O Connectors](#) category:

Click to view products by [Amphenol](#) manufacturer:

Other Similar products are found below :

[571763P](#) [58098-0628](#) [61-168618-12P](#) [D38999/20FJ24PA L/C](#) [D38999/20FJ29SB L/C](#) [D38999/24FG11SN L/C](#) [72.250.1628.2](#) [72.250.2428.2](#)
[74720-0505](#) [76.350.0729.0](#) [76871-1403](#) [FCN-244F080-G/1](#) [FCN-260A9920](#) [FCN-268D024-G/2F#10X-R10](#) [MP-5T180MUNNA-005](#) [MP-5XRJ45UNNB-003](#) [PCS-E50FA](#) [PCS-XE26LKA](#) [PCS-XE26MA+](#) [PCS-XES68MS+](#) [G38A71314B](#) [91-569719-35R](#) [9776-18-6](#) [DX40-50P\(55\)](#) [1571250010](#) [157-22500-3](#) [MS3476W12-10S L/C](#) [1888020-8](#) [91-569786-35H](#) [91-569786-35M](#) [91-644626-35P](#) [172501-4002](#)
[172501-6002](#) [FCN-260C008-A/L0](#) [FCN-260C024-AL0](#) [FCN-261Z008](#) [FCN-268D008-G/1K](#) [2000314-1](#) [200331-1](#) [2007498-2](#) [PCR-E28LMDAG1+](#) [PCR-E36FC+](#) [PCS-E28FS+](#) [PCS-XE26SLFD+](#) [PCS-XE26SLFDT+](#) [G38A71214B](#) [HDRA-E68W1LFDTC-SL+](#) [HDR-E14MSG1+](#) [R88A-CNK81S](#) [CRT1-ATT02](#)