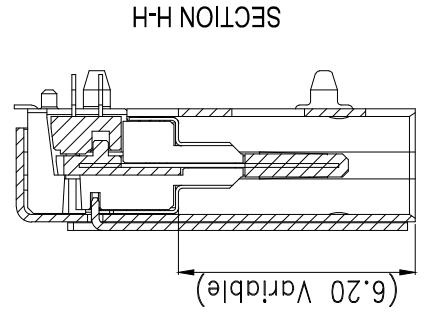
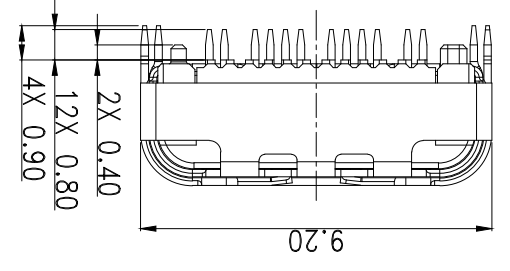
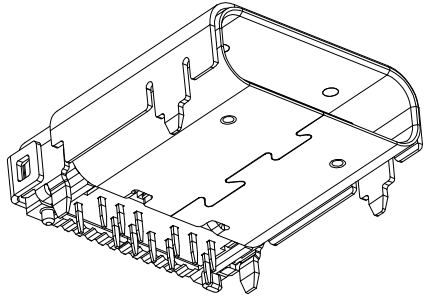
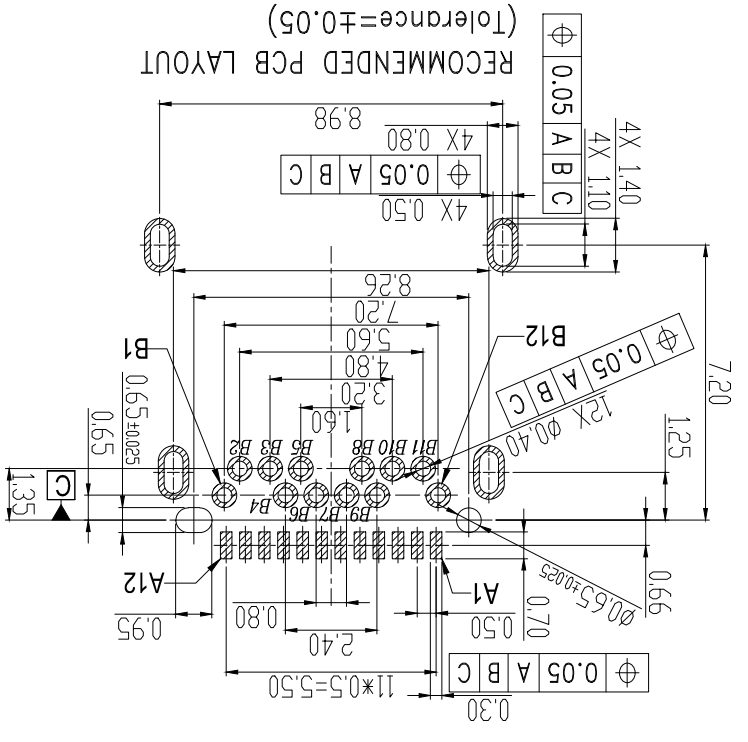
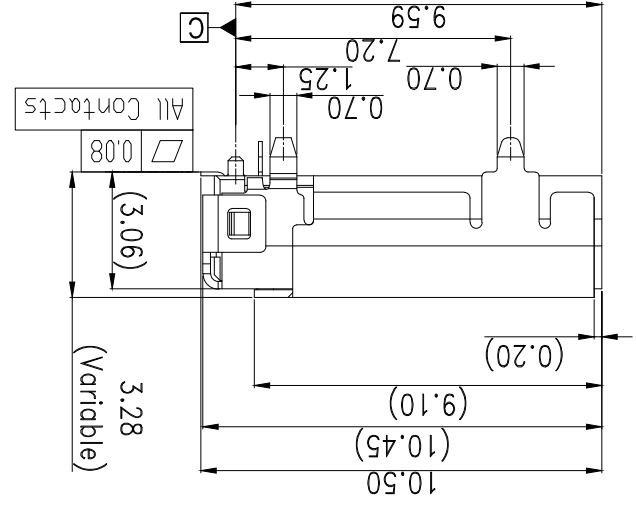
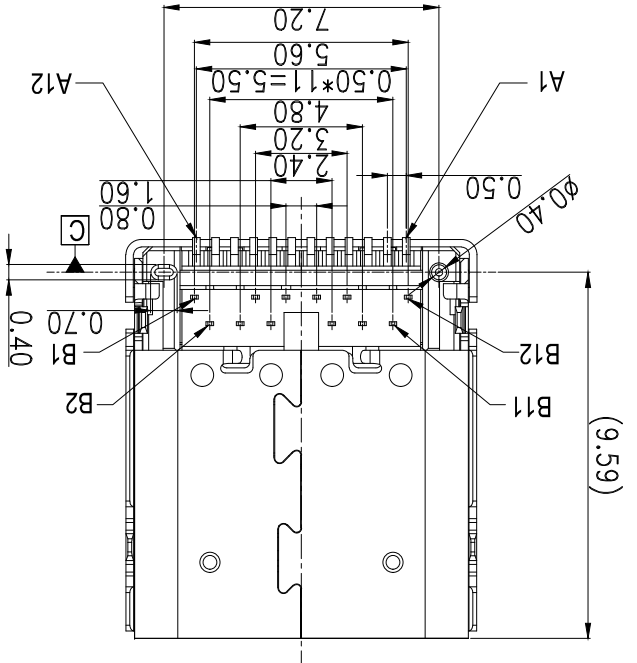
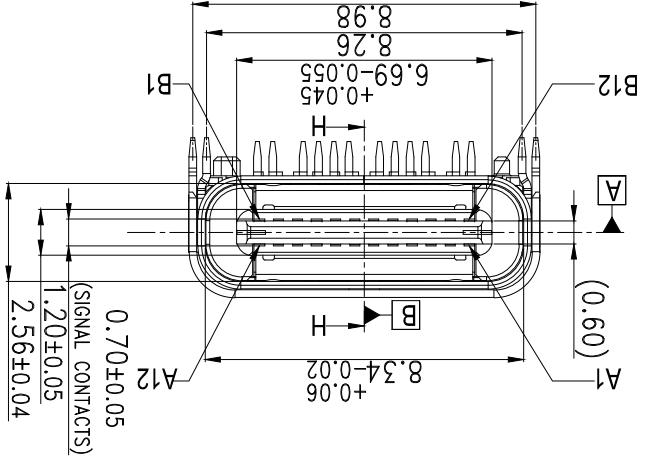
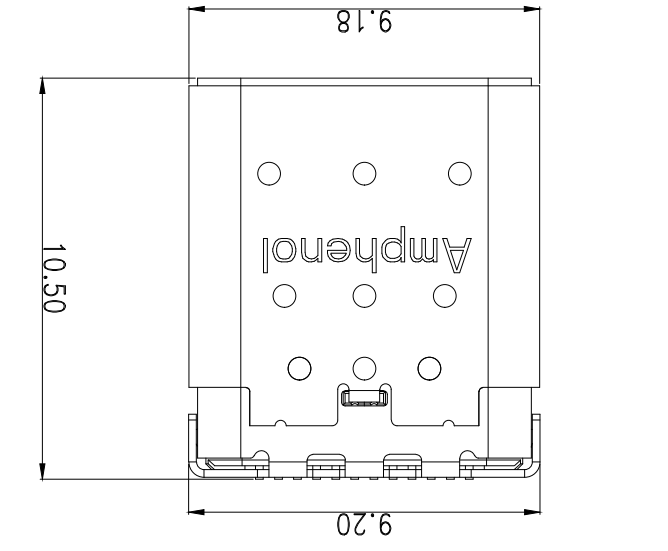


This document is the property of Amphenol Corporation and is delivered on the express condition that it is not to be disclosed, reproduced or used, in whole or in part, for manufacture or sale by anyone other than Amphenol Corporation without its prior consent, & that no right is granted to disclose or to use any information in this document.

REFERENCE DRAWING



Pin	Signal	Mating Sequence	Pin	Signal	Mating Sequence
A1	GND	First	B12	GND	First
A2	SSTxp1	Second	B11	SSTxp1	Second
A3	SSTXn1	Second	B10	SSTXn1	Second
A4	Vbus	First	B9	Vbus	First
A5	CC1	Second	B8	SBU2	Second
A6	Dp1	Second	B7	Dn2	Second
A7	Dn1	Second	B6	Dp2	Second
A8	SBU1	Second	B5	CC2	Second
A9	Vbus	First	B4	Vbus	First
A10	SSRXn2	Second	B3	SSTXn2	Second
A11	SSRXp2	Second	B2	SSTxp2	Second
A12	GND	First	B1	GND	First
	SHELL			SHELL	
	GND			GND	

SYM	ECN	DESCRIPTION	DATE	APPROVED
X8	1508****	UPDATE THE FEATRU	08/12/15	Tom
X7	1504****	UPDATE THE FEATRU	04/24/15	Tom

Notes:
 1,Material : copper alloy
 Contacts : copper alloy
 Shell : Stainless steel.
 Housing : High-temperature polymer UL94V-0, black.
 2,Plating :
 Contacts:contact area 30u" Au, Solder tail gold flash or matte tin, nickel overall.
 Shell : Nickel Plating
 3,Coplanarity : 0.08Max.
 4,P/N : 12401548E4#2A.
 5,Packaging type: carrier tape.
 6,Material should be fulfilled Amphenol spec# SSN02
 AND Customer Requirements,for halogen free products,
 also need to meet SSN04

UNLESS OTHERWISE SPECIFIED		TOLERANCES		U.S.	
FRACTIONS +/-		X		+/+	
ANGLES +/°		.XX		+/-	
SEE NOTES		±0.25		+/+	
REMOVE SHARP EDGES		±0.30		+/-	
FOR MATERIALS AND FINISHES		CHECKED		Welson,lu	
DRAWING FILE :		DRAWN		Michael,qin	
ANGLE OF PROJECTION		CHECKED		08/12/15	
SIZE		DRAWING NO.		12401548E4#2A	
SCALE		NONE		SHEET 1 OF 1	
REV.		X8			

Amphenol

X-ON Electronics

Largest Supplier of Electrical and Electronic Components

Click to view similar products for [I/O Connectors](#) category:

Click to view products by [Amphenol](#) manufacturer:

Other Similar products are found below :

[571763P](#) [58098-0628](#) [61-168618-12P](#) [D38999/20FJ24PA L/C](#) [D38999/20FJ29SB L/C](#) [D38999/24FG11SN L/C](#) [72.250.1628.2](#) [72.250.2428.2](#)
[74720-0505](#) [76.350.0729.0](#) [76871-1403](#) [FCN-244F080-G/1](#) [FCN-260A9920](#) [FCN-268D024-G/2F#10X-R10](#) [MP-5T180MUNNA-005](#) [MP-5XRJ45UNNB-003](#) [PCS-E50FA](#) [PCS-XE26LKA](#) [PCS-XE26MA+](#) [PCS-XES68MS+](#) [G38A71314B](#) [91-569719-35R](#) [9776-18-6](#) [DX40-50P\(55\)](#) [1571250010](#) [157-22500-3](#) [MS3476W12-10S L/C](#) [1888020-8](#) [91-569786-35H](#) [91-569786-35M](#) [91-644626-35P](#) [172501-4002](#)
[172501-6002](#) [FCN-260C008-A/L0](#) [FCN-260C024-AL0](#) [FCN-261Z008](#) [FCN-268D008-G/1K](#) [2000314-1](#) [200331-1](#) [2007498-2](#) [PCR-E28LMDAG1+](#) [PCR-E36FC+](#) [PCS-E28FS+](#) [PCS-XE26SLFD+](#) [PCS-XE26SLFDT+](#) [G38A71214B](#) [HDRA-E68W1LFDTC-SL+](#) [HDR-E14MSG1+](#) [R88A-CNK81S](#) [CRT1-ATT02](#)