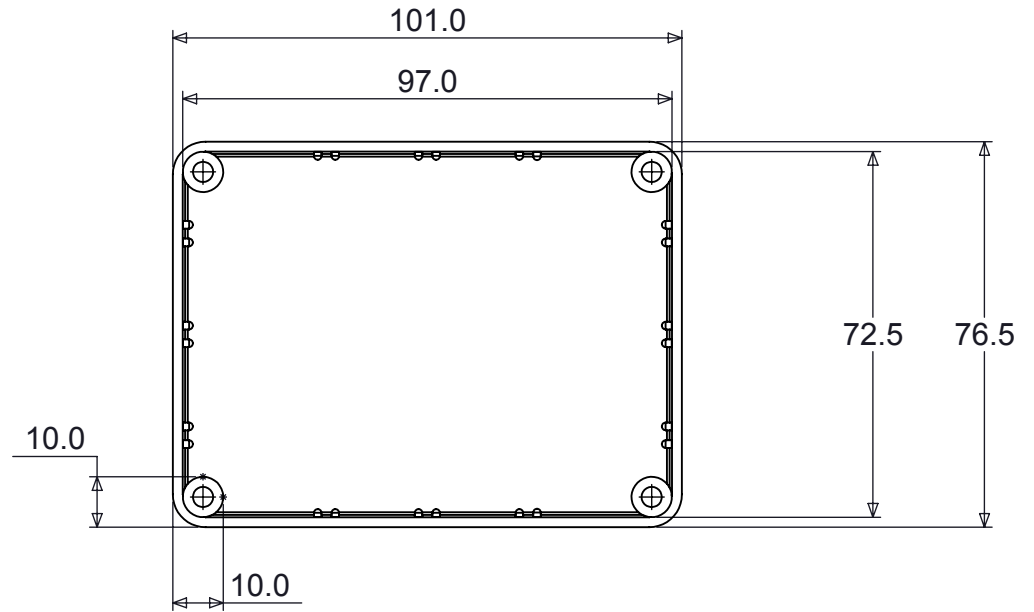
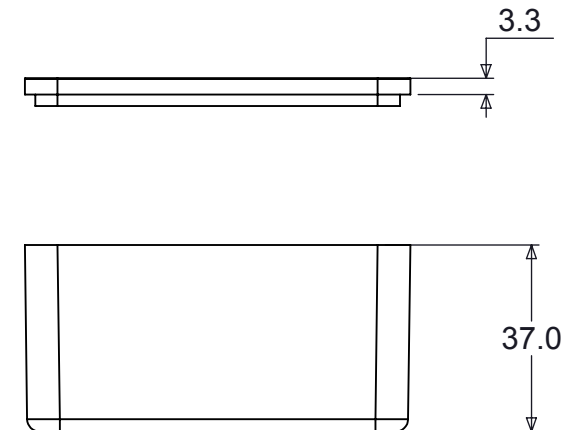


Top View Open Box



Description	Manufacturer Part No	Material	Weight (Kilograms)	Dimension Height	Dimension Width	Dimension Depth	Country of	RoHS Compliant
ABS IP54 Enclosure Clear	479-0160-0	ABS	0.70	101	76.5	40	GB	YES
ABS IP54 Enclosure Black	479-0160-1	ABS	0.70	101	76.5	40	GB	YES
ABS IP54 Enclosure Blue	479-0160-2	ABS	0.70	101	76.5	40	GB	YES
ABS IP54 Enclosure Brown	479-0160-3	ABS	0.70	101	76.5	40	GB	YES
ABS IP54 Enclosure Green	479-0160-4	ABS	0.70	101	76.5	40	GB	YES
ABS IP54 Enclosure Red	479-0160-5	ABS	0.70	101	76.5	40	GB	YES
ABS IP54 Enclosure White	479-0160-6	ABS	0.70	101	76.5	40	GB	YES
ABS IP54 Enclosure Yellow	479-0160-7	ABS	0.70	101	76.5	40	GB	YES
ABS IP54 Enclosure Purple	479-0160-8	ABS	0.70	101	76.5	40	GB	YES
ABS IP54 Enclosure Grey	479-0160-9	ABS	0.70	101	76.5	40	GB	YES
ABS IP54 Enclosure Orange	479-0160-10	ABS	0.70	101	76.5	40	GB	YES
ABS IP54 Enclosure Cream	479-0160-11	ABS	0.70	101	76.5	40	GB	YES



OPTIONAL EXTRAS

Stick on feet 12mm round x 4mm deep part no - FIX173
 Also available in anti static

Injection moulded from impact resistant ABS
 Smooth glossy surface finish
 The lid is secured with four screws into brass inserts
 Easily machined

Tel No. +44(0)1724 273200 Website www.dem-uk.com



PROPRIETARY AND CONFIDENTIAL
 THE INFORMATION CONTAINED IN THIS DRAWING IS THE SOLE PROPERTY OF ALPHA 3 MANUFACTURING.
 ANY REPRODUCTION IN PART OR AS A WHOLE WITHOUT THE WRITTEN PERMISSION OF ALPHA 3 MANUFACTURING IS PROHIBITED.
DEM DEM Manufacturing, Deltron Emcon House
 Hargreaves Way, Sawcliffe Ind. Park,
 Scunthorpe, North Lincolnshire, DN15 8RF, UK

UNLESS OTHERWISE SPECIFIED:
 DIMENSIONS ARE IN MILLIMETRES.
 TOLERANCE:
NO DECIMAL PLACES ±0.2mm
1 DECIMAL PLACE ±0.1mm
2 DECIMAL PLACES ±0.05mm
ANGULAR TOLERANCE: ±1°

FINISH See Chart
 DEBURR AND BREAK SHARP EDGES
 DRAWN BY W.Coxon
 APPROVED BY
 THIRD ANGLE PROJECTION
 IF IN DOUBT ASK DO NOT SCALE DRAWING
 MATERIAL

SHEET 1 OF 1
 SCALE 1:1.5
 A4

TITLE **ABS Enclosure**
 DRAWING NO. **479-0160**
 Specification
 ISSUE **01**
 Release

X-ON Electronics

Largest Supplier of Electrical and Electronic Components

Click to view similar products for [deltron](#) manufacturer:

Other Similar products are found below :

[610-0700](#) [651-0800](#) [342-0000](#) [W127G](#) [066541F](#) [066542D](#) [W205C](#) [W106C](#) [611-0700](#) [717-0400](#) [456-0020](#) [460-0070](#) [479-0020-5](#) [486-121209-66](#) [480-C010](#) [490-170805E-68](#) [459-0080](#) [459-0140](#) [590-0700](#) [MDU14S](#) [4MP2616](#) [461-0030](#) [461-0050](#) [571-0400-01](#) [480-C040](#) [462-0020E](#) [4DR3522](#) [487-261612E-66](#) [486-261609-68](#) [000-035-100](#) [466-0050](#) [356-0200](#) [702-0500](#) [711-0500](#) [552-0600](#) [WHT](#) [800-0400](#) [487-261609E-66](#) [487-221209E-68](#) [462-0040A](#) [461-0070](#) [456-0030](#) [461-0070E](#) [490-040503A-68](#) [486-S68-2616](#) [4ELM6](#) [483-0100](#) [483-0030](#) [480-0010](#) [466-0150](#) [456-0120](#)