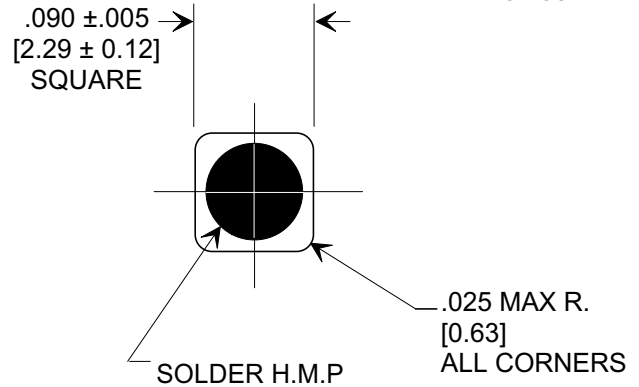
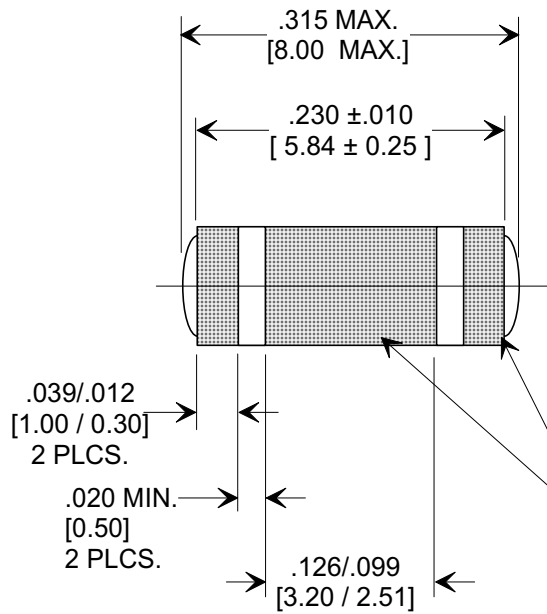
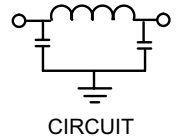
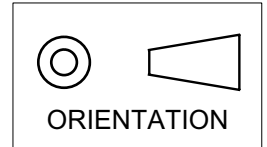


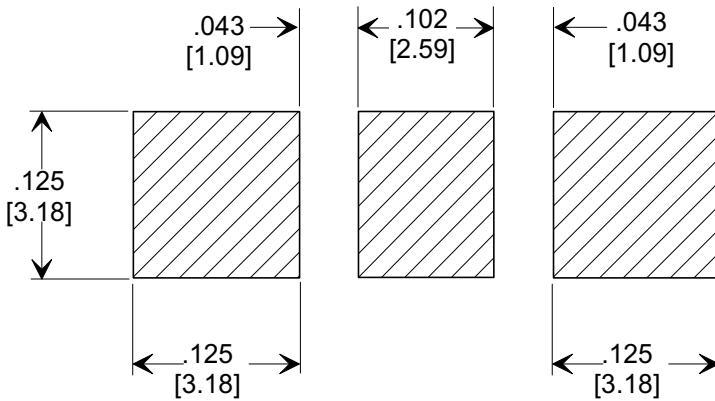
MARKETING SALES DRAWING

DIMENSIONS IN INCHES - DO NOT SCALE THIS DRAWING
 DIMENSIONS IN METRIC []

Electrical Testing
 per Tusonix standard
 test plans and Mil-Std-202
 Test Methods.



ELECTRODE
 TERMINATION
 SEE NOTE 5



SUGGESTED
 MOUNTING PATTERN

1. INDUCTANCE TO BE 0.1 H MINIMUM.
2. PACKAGE: BULK OR BLISTER TAPE TO IEC-60286-3 TYPE II AND EIA-481-A.
3. TUSONIX STANDARD PART NUMBER: 4700-008.
 TUSONIX RoHS COMPLIANT PART NUMBER:
 4700-008 LF.
 CUSTOMER MUST SPECIFY STANDARD OR RoHS PART NUMBER WHEN ORDERING.
4. PART MARKING: STANDARD PART: NO MARKING.
 RoHS PART: LABELED ON PACKAGING ONLY.
5. ELECTRODE TERMINATION: STANDARD 60/40 SOLDER; RoHS COMPLIANT - MATTE TIN.

CAP.	TOLERANCE	WVDC 85°C	TEST VOLTAGE	I.R.MIN. @ 100 (VDC.)	IDC	TYPICAL NO LOAD INSERTION LOSS dB AT 25°C PER MIL-STD-220		
						10 MHZ	100 MHZ	1 GHZ
4000 pF	+80% / -20%	100	300 VDC	10 G	10 A	13	52	70

X-2015 Rev-0

REVISION RECORD	Original Release C.O.	0
	REVISED DWG. DRAWING MADE FOR EACH VAR. S.M. 02-13-03	12
	20030213-1-05	13
	REVISED DRAWING. S.M. 06-20-03	14
	20030619-2-04	14
ADDED NOTES 3-5. S.M. 06-13-05	20050607-5-03	

--TOLERANCES-- Unless Otherwise Specified		Title SURFACE MOUNT SQUARE STYLE PI FILTER	
DECIMAL ± .005 [0.13]	Drawn FG 9-9-94		Scale 7 X
ANGLES ±	Approved NV 9-9-94		
TUSONIX TUCSON, ARIZONA		A	4700-008

X-ON Electronics

Largest Supplier of Electrical and Electronic Components

Click to view similar products for [cts manufacturer](#):

Other Similar products are found below :

[744C083333JP](#) [296UD504B1N](#) [407F11C012M0000](#) [262XR102B](#) [0538-011-F-15.0-60](#) [Z3A-22IB-3-BNL](#) [4306-033](#) [744C083102JP](#)
[206S0108](#) [CB3LV-3C-32M7680](#) [206-8LPS](#) [206S0097](#) [744C083222JP](#) [743C083103JP](#) [770101223](#) [026TB32R253B1A1](#) [CB3-3C-50M0000](#)
[ATS040SM-1](#) [APF30-30-13CB/A01](#) [MXO45HST-3C-16M0000](#) [ATS061C](#) [743C083104JP](#) [744C083472JP](#) [77083103P](#) [218-10LPSTRF](#)
[O7050147456MFDA4SC](#) [402WF20012IMR](#) [KFF6516A](#) [194-8MST](#) [742C083330JPTR](#) [750-101-R120](#) [766143221GP](#) [77061333P](#)
[403C35D12M00000](#) [CTS-1621](#) [284TBCF502A26A1](#) [766163560GP](#) [CB3-3I-20M0000](#) [4400-032](#) [ATS12ASM-1](#) [201XR104B](#) [770103101P](#)
[CA25C5003HLT](#) [209-2MSF](#) [6740-2015](#) [CB3-3C-1M5440](#) [T8031-5V](#) [767163104D](#) [PB1-36ND](#) [ATS049BSM-1E](#)