

# Bourns® Magnetics - J.W. Miller Products

## *Product Selection Catalog*





# Table of Contents

## Miscellaneous

|                                    |     |
|------------------------------------|-----|
| Tape and Reel Specifications ..... | 1.2 |
| Color Code .....                   | 1.4 |
| Custom Inductors .....             | 1.6 |

## Selector Guide

|   |      |
|---|------|
| Fixed Inductor Selector Guide .....         | 2.1  |
| Selector Guide .....                        | 2.2  |
| J.W. Miller to Bourns Cross Reference ..... | 2.38 |

## Surface Mount

### Chip Beads and Arrays

|              |     |
|--------------|-----|
| PMA .....    | 3.1 |
| PMC .....    | 3.2 |
| PMH .....    | 3.3 |
| PM2000 ..... | 3.4 |

### Chip Inductors

|               |      |
|---------------|------|
| PM0402 .....  | 4.1  |
| PM0402C ..... | 4.2  |
| PM0402T ..... | 4.3  |
| PM0603 .....  | 4.4  |
| PM0603G ..... | 4.5  |
| PM0603H ..... | 4.6  |
| PM0603T ..... | 4.7  |
| PM0805 .....  | 4.8  |
| PM0805G ..... | 4.9  |
| PM0805H ..... | 4.10 |
| PM1008 .....  | 4.11 |
| PM1008M ..... | 4.12 |
| PM1008S ..... | 4.13 |
| PM1210 .....  | 4.14 |
| PM1210G ..... | 4.15 |
| PM1210H ..... | 4.16 |
| PM1812 .....  | 4.17 |
| PM1812G ..... | 4.18 |
| PM1812H ..... | 4.19 |
| PM20S .....   | 4.20 |

### Power Inductors (Shielded)

|   |      |
|---|------|
| PM104SH .....   | 5.1  |
| PM105SB .....   | 5.2  |
| PM124SH .....   | 5.3  |
| PM12565S .....  | 5.4  |
| PM125S .....  | 5.5  |
| PM125SH .....   | 5.6  |
| PM127SH .....   | 5.7  |
| PM1608S .....   | 5.8  |
| PM3316S .....   | 5.9  |
| PM428S .....  | 5.10 |
| PM42S .....   | 5.11 |
| PM5022S .....   | 5.12 |
| PM518S .....  | 5.13 |
| PM528S .....  | 5.14 |
| PM628S .....  | 5.15 |
| PM638S .....  | 5.16 |
| PM63SB .....  | 5.17 |
| PM7032S .....   | 5.18 |
| PM7232S/PM1038S/PM12639S/<br>PM12645S/PM12651S/PM13560S/<br>PM13656S/PM13666S ..... | 5.19 |
| PM73SH .....  | 5.20 |
| PM74SB .....  | 5.21 |
| PM74SH .....  | 5.22 |

### Common Mode Chokes

|              |     |
|--------------|-----|
| PM3700 ..... | 6.1 |
|--------------|-----|

### Common Mode Chip Inductors

|                         |     |
|-------------------------|-----|
| PM0805CM/PM1206CM ..... | 7.1 |
|-------------------------|-----|

### Inductors/Transformers

|                     |     |
|---------------------|-----|
| PM3602/PM3604 ..... | 8.1 |
|---------------------|-----|

### Power Inductors (Unshielded)

|               |      |
|---------------|------|
| PM104 .....   | 9.1  |
| PM105 .....   | 9.2  |
| PM1355 .....  | 9.3  |
| PM1608 .....  | 9.4  |
| PM32 .....    | 9.5  |
| PM3308 .....  | 9.6  |
| PM3316 .....  | 9.7  |
| PM3316H ..... | 9.8  |
| PM3340 .....  | 9.9  |
| PM43 .....    | 9.10 |
| PM5022 .....  | 9.11 |
| PM5022H ..... | 9.12 |
| PM52 .....    | 9.13 |
| PM54 .....    | 9.14 |
| PM73 .....    | 9.15 |
| PM75 .....    | 9.16 |
| PM7518 .....  | 9.17 |

### High Current Toroid Inductors

|              |      |
|--------------|------|
| PM2110 ..... | 10.1 |
| PM2120 ..... | 10.2 |

### CCFL Inverter Transformers

|               |      |
|---------------|------|
| PM61300 ..... | 11.1 |
|---------------|------|

### Multi 6 Pack Inductors & Transformers

|                         |      |
|-------------------------|------|
| PM600/PM610/PM620 ..... | 12.1 |
|-------------------------|------|

## Through-Hole

### Ferrite Beads

|          |      |
|----------|------|
| FB ..... | 13.1 |
|----------|------|

### Wide-Band Chokes

|              |      |
|--------------|------|
| FB2000 ..... | 14.1 |
|--------------|------|

### Radial Lead Chokes

|              |       |
|--------------|-------|
| 6000 .....   | 15.1  |
| 6100 .....   | 15.2  |
| RL110 .....  | 15.3  |
| RL181S ..... | 15.4  |
| RL187 .....  | 15.5  |
| RL262 .....  | 15.6  |
| RL622 .....  | 15.7  |
| RL822 .....  | 15.8  |
| RL824 .....  | 15.9  |
| RL855 .....  | 15.10 |
| RL110S ..... | 15.11 |
| RL875 .....  | 15.12 |
| RL875S ..... | 15.13 |
| RL895 .....  | 15.14 |

### Flat RF Chokes

|            |      |
|------------|------|
| 3500 ..... | 16.1 |
|------------|------|

### Conformal Coated Chokes

|            |      |
|------------|------|
| 5300 ..... | 17.1 |
| 77F .....  | 17.2 |
| 78F .....  | 17.3 |
| 79F .....  | 17.4 |
| 8230 ..... | 17.5 |

### Shielded RF Chokes

|            |      |
|------------|------|
| 8250 ..... | 18.1 |
|------------|------|

### Molded Chokes

|             |      |
|-------------|------|
| 9220 .....  | 19.1 |
| 9230 .....  | 19.2 |
| 9250 .....  | 19.3 |
| 9250A ..... | 19.4 |
| 9310 .....  | 19.5 |

### Varnished Chokes

|            |      |
|------------|------|
| 4600 ..... | 20.1 |
| 6300 ..... | 20.2 |
| 70F .....  | 20.3 |
| 73F .....  | 20.5 |
| 74F .....  | 20.6 |

### Hash Chokes

|            |      |
|------------|------|
| 5200 ..... | 21.1 |
|------------|------|

### High Current Chokes

|            |      |
|------------|------|
| 1110 ..... | 22.1 |
| 1120 ..... | 22.2 |
| 1130 ..... | 22.3 |
| 1140 ..... | 22.4 |
| 5500 ..... | 22.5 |
| 5600 ..... | 22.6 |
| 5800 ..... | 22.7 |
| 5900 ..... | 22.8 |

### Toroid Inductors

|              |       |
|--------------|-------|
| 2000 .....   | 23.1  |
| 2100HT ..... | 23.2  |
| 2100LL ..... | 23.3  |
| 2100 .....   | 23.4  |
| 2200HT ..... | 23.5  |
| 2200LL ..... | 23.6  |
| 2200 .....   | 23.7  |
| 2300HT ..... | 23.8  |
| 2300LL ..... | 23.9  |
| 2300 .....   | 23.10 |
| 5700 .....   | 23.11 |
| 6700 .....   | 23.12 |
| 7000 .....   | 23.13 |

### Adjustable Coil

|            |      |
|------------|------|
| 4900 ..... | 24.1 |
|------------|------|

### Common Mode Chokes

|                 |      |
|-----------------|------|
| 7100 .....      | 25.1 |
| 7300 .....      | 25.2 |
| 7400/7500 ..... | 25.3 |
| 8100 .....      | 25.4 |

### Current Sensors

|            |      |
|------------|------|
| 7200 ..... | 26.1 |
|------------|------|

### Signal Transformers

|            |      |
|------------|------|
| 3000 ..... | 27.1 |
|------------|------|

### EMI T Filters

|             |      |
|-------------|------|
| EMI T ..... | 28.1 |
|-------------|------|

**RoHS Notation:** To order an RoHS compliant part, add -RC after part number.

**BOURNS®**

Tel. (877) 426-8767 • Fax (951) 781-5006

[www.bourns.com](http://www.bourns.com)

# Tape and Reel Specifications

| Series Number                     | Dim. A | Dim. B | Dim. C | Dim. D | Dim. P | Dim. W | Dim. T | Dim. H | Reel Size | Parts/Reel  |
|-----------------------------------|--------|--------|--------|--------|--------|--------|--------|--------|-----------|-------------|
| <b>Chip Beads and Arrays</b>      |        |        |        |        |        |        |        |        |           |             |
| PMA                               | 178    | 60     | 13.6   | 17.6   | 4      | 8      | 0.25   | 1.5    | 7"        | 3000        |
| PMC0402                           | 178    | 60     | 8      | 12     | 2      | 8      | 0.23   | 0.6    | 7"        | 10,000      |
| PMC0603, PMH0603                  | 178    | 60     | 8      | 12     | 4      | 8      | 0.23   | 1.1    | 7"        | 4000        |
| PMC0805, PMH0805                  | 178    | 60     | 8      | 12     | 4      | 8      | 0.23   | 1.2    | 7"        | 4000        |
| PMC1206, PMH1206                  | 178    | 60     | 8      | 12     | 4      | 8      | 0.23   | 1.2    | 7"        | 3000        |
| PMC1806, PMH1806                  | 178    | 60     | 12     | 14     | 4      | 12     | 0.3    | 1.9    | 7"        | 2000        |
| PMC1812, PMH1812                  | 178    | 60     | 12     | 14     | 8      | 12     | 0.3    | 1.8    | 7"        | 1000        |
| PM2001                            | 178    | 60     | 13.6   | 17.6   | 8      | 12     | 0.25   | 3.4    | 7"        | 1000        |
| PM2002                            | 178    | 60     | 13.7   | 17.6   | 8      | 12     | 0.25   | 3.4    | 7"        | 500         |
| PM2003                            | 178    | 60     | 13.7   | 17.6   | 8      | 16     | 0.25   | 3.4    | 7"        | 500         |
| <b>Chip Inductors</b>             |        |        |        |        |        |        |        |        |           |             |
| PM0402                            | 178    | 60     | 8      | 12     | 2      | 8      | 0.23   | 0.6    | 7"        | 10,000      |
| PM0402C                           | 178    | 75     | 8      | 13     | 2      | 8      | 0.1    | 0.7    | 7"        | 10,000      |
| PM0402T                           | 178    | 62     | 9      | 13     | 2      | 8      | 0.25   | 1      | 7"        | 10,000      |
| PM0603                            | 178    | 60     | 8      | 12     | 4      | 8      | 0.23   | 1.1    | 7"        | 3000        |
| PM0603G, PM0603H                  | 178    | 60     | 8      | 12     | 4      | 8      | 0.23   | 1.1    | 7"        | 4000        |
| PM0603T                           | 178    | 62     | 9      | 13     | 4      | 8      | 0.25   | 1.1    | 7"        | 5000        |
| PM0805                            | 178    | 75     | 8.4    | 12.5   | 4      | 8      | 0.25   | 1.5    | 7"        | 2000        |
| PM00805G, PM0805H                 | 178    | 60     | 8      | 12     | 4      | 8      | 0.23   | 1.2    | 7"        | 3000 / 4000 |
| PM1008                            | 178    | 75     | 8.4    | 12.5   | 4      | 8      | 0.25   | 2.3    | 7"        | 2000        |
| PM1008M                           | 178    | 62     | 9      | 13     | 4      | 8      | 0.25   | 2.3    | 7"        | 2000        |
| PM1008S                           | 178    | 75     | 12     | 17     | 8      | 12     | 0.3    | 2.5    | 7"        | 750         |
| PM1210, PM1210H                   | 178    | 60     | 10     | 12.5   | 4      | 8      | 0.3    | 2.5    | 7"        | 2000        |
| PM1210G                           | 178    | 60     | 9      | 13     | 4      | 8      | 0.22   | 1.6    | 7"        | 2500        |
| PM1812, PM1812H                   | 178    | 60     | 14     | 16.5   | 8      | 12     | 0.3    | 3.8    | 7"        | 500         |
| PM1812G                           | 178    | 60     | 13.5   | 17.5   | 8      | 12     | 0.24   | 1.9    | 7"        | 1000        |
| PM20S                             | 178    | 60     | 12     | 14     | 8      | 12     | 0.23   | 2.5    | 7"        | 2000        |
| <b>Power Inductors (Shielded)</b> |        |        |        |        |        |        |        |        |           |             |
| PM1038S                           | 330    | 100    | 16.5   | 20.8   | 16     | 24     | 0.35   | 4.7    | 13"       | 800         |
| PM104SH                           | 328    | 80     | 25.5   | 29.5   | 16     | 24     | 0.4    | 4.3    | 13"       | 1000        |
| PM105SB                           | 328    | 80     | 24     | 28     | 12     | 24     | 0.5    | 6.9    | 13"       | 500         |
| PM124SH                           | 328    | 80     | 24.4   | 28.4   | 16     | 24     | 0.5    | 5.2    | 13"       | 500         |
| PM12565S                          | 330    | 75     | 24.5   | 28.5   | 16     | 24     | 0.35   | 7      | 13"       | 400         |
| PM125S                            | 328    | 80     | 24.4   | 28.4   | 16     | 24     | 0.5    | 6.9    | 13"       | 500         |
| PM125SH                           | 328    | 80     | 24.4   | 28.4   | 16     | 24     | 0.5    | 6.5    | 13"       | 500         |
| PM12639S, PM12645S                | 330    | 100    | 24.5   | 28.5   | 16     | 24     | 0.3    | 5      | 13"       | 800         |
| PM12651S                          | 330    | 100    | 24.5   | 28.8   | 16     | 24     | 0.35   | 6.4    | 13"       | 800         |
| PM127SH                           | 330    | 80     | 24.4   | 28.4   | 16     | 24     | 0.5    | 8.4    | 13"       | 500         |
| PM13560S, PM13656S                | 330    | 100    | 24.5   | 28.8   | 16     | 24     | 0.35   | 6.4    | 13"       | 500         |
| PM13666S                          | 330    | 100    | 24.5   | 28.8   | 16     | 24     | 0.4    | 7.6    | 13"       | 500         |
| PM1608S                           | 178    | 100    | 12.5   | 16.5   | 8      | 12     | 0.35   | 3      | 7"        | 750         |
| PM3316S                           | 330    | 100    | 24.5   | 28.5   | 12     | 24     | 0.35   | 5.6    | 13"       | 500         |
| PM42S                             | 178    | 60     | 13.5   | 17.5   | 8      | 12     | 0.4    | 2.7    | 7"        | 1000        |
| PM428S                            | 328    | 80     | 12.4   | 16.4   | 8      | 12     | 0.4    | 3.3    | 13"       | 2000        |
| PM5022S                           | 330    | 100    | 32.5   | 36.5   | 20     | 32     | 0.4    | 8.4    | 13"       | 250         |
| PM518S                            | 330    | 80     | 12.4   | 16.4   | 8      | 12     | 0.4    | 2.2    | 13"       | 2000        |
| PM528S                            | 330    | 80     | 16.4   | 20.4   | 8      | 16     | 0.4    | 3.4    | 13"       | 2000        |
| PM628S                            | 330    | 80     | 16.4   | 20.4   | 12     | 16     | 0.4    | 3.4    | 13"       | 1500        |
| PM638S                            | 330    | 80     | 16.4   | 20.4   | 12     | 16     | 0.4    | 4.4    | 13"       | 1000        |
| PM635B                            | 328    | 80     | 12.4   | 16.4   | 8      | 12     | 0.4    | 4.3    | 13"       | 1500        |
| PM7032S                           | 330    | 75     | 16.5   | 20.5   | 12     | 16     | 0.35   | 3.6    | 13"       | 1000        |
| PM7232S                           | 330    | 100    | 16.5   | 20.5   | 12     | 16     | 0.3    | 3.8    | 13"       | 1500        |
| PM735H                            | 330    | 75     | 16.4   | 20.4   | 12     | 16     | 0.4    | 3.6    | 13"       | 1000        |
| PM745B                            | 328    | 80     | 17.5   | 21.5   | 12     | 16     | 0.5    | 6      | 13"       | 1000        |
| PM745H                            | 330    | 75     | 16.4   | 20.4   | 12     | 16     | 0.4    | 4.5    | 13"       | 1000        |

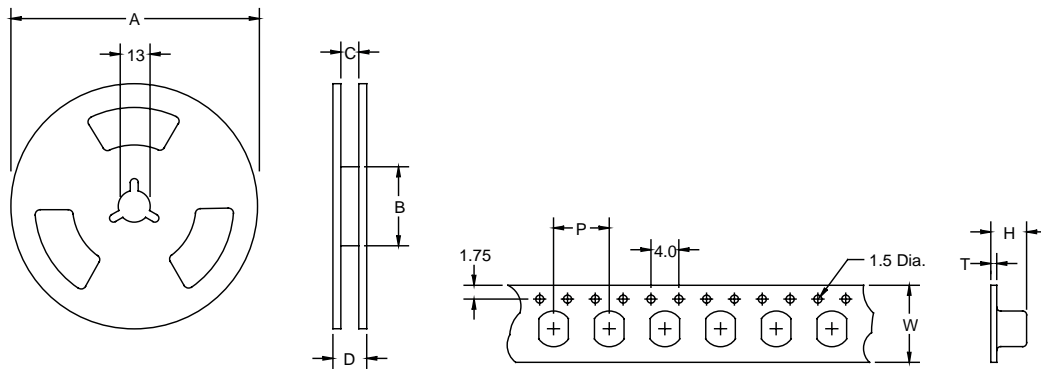
**BOURNS®**

Tel. (877) 426-8767 • Fax (951) 781-5006

[www.bourns.com](http://www.bourns.com)

# Tape and Reel Specifications

| Series Number                                | Dim. A | Dim. B | Dim. C | Dim. D | Dim. P | Dim. W | Dim. T | Dim. H | Reel Size | Parts/Reel |
|--|--------|--------|--------|--------|--------|--------|--------|--------|-----------|------------|
| <b>Common Mode Chokes</b>                    |        |        |        |        |        |        |        |        |           |            |
| PM3700                                       | 330    | 100    | 44.5   | 48.5   | 28     | 44     | 0.4    | 11.8   | 13"       | 200        |
| <b>Common Mode Chip Inductors</b>            |        |        |        |        |        |        |        |        |           |            |
| PM0805CM                                     | 178    | 60     | 9      | 13     | 4      | 8      | 0.22   | 1.3    | 7"        | 2000       |
| PM1206CM                                     | 178    | 62     | 9      | 13     | 4      | 8      | 0.25   | 1.4    | 7"        | 2000       |
| <b>Inductors / Transformers</b>              |        |        |        |        |        |        |        |        |           |            |
| PM3602                                       | 330    | 100    | 24.5   | 28.5   | 16     | 24     | 0.35   | 5.9    | 13"       | 700        |
| PM3604                                       | 330    | 100    | 24.5   | 28.5   | 20     | 24     | 0.35   | 7.3    | 13"       | 400        |
| <b>Power Inductors (Unshielded)</b>          |        |        |        |        |        |        |        |        |           |            |
| PM104  | 330    | 50     | 26     | 30.4   | 12     | 24     | 0.35   | 4.4    | 13"       | 800        |
| PM105  | 328    | 80     | 24     | 28     | 12     | 24     | 0.5    | 6.9    | 13"       | 500        |
| PM1355                                       | 330    | 100    | 24.5   | 27.5   | 12     | 24     | 0.45   | 6.1    | 13"       | 800        |
| PM1608                                       | 178    | 100    | 12.5   | 16.5   | 8      | 12     | 0.35   | 3      | 7"        | 750        |
| PM32   | 330    | 50     | 14     | 18.4   | 8      | 12     | 0.35   | 2.3    | 13"       | 3000       |
| PM3308                                       | 330    | 100    | 24.5   | 28.5   | 12     | 24     | 0.35   | 3.8    | 13"       | 1000       |
| PM3316, PM3316H                              | 330    | 100    | 24.5   | 28.5   | 12     | 24     | 0.35   | 5.6    | 13"       | 500        |
| PM3340                                       | 330    | 100    | 32.5   | 36.5   | 24     | 32     | 0.4    | 11.8   | 13"       | 225        |
| PM43   | 328    | 80     | 12.4   | 16.4   | 8      | 12     | 0.4    | 4.4    | 13"       | 1500       |
| PM5022, PM5022H                              | 330    | 100    | 32.5   | 36.5   | 20     | 32     | 0.4    | 8.4    | 13"       | 250        |
| PM52   | 330    | 50     | 14     | 18.4   | 8      | 12     | 0.35   | 3.0    | 13"       | 2000       |
| PM54   | 328    | 80     | 12.4   | 16.4   | 8      | 12     | 0.4    | 6      | 13"       | 1500       |
| PM73   | 330    | 50     | 18     | 22.4   | 12     | 16     | 0.35   | 3.9    | 13"       | 1000       |
| PM75   | 328    | 80     | 17.5   | 21.5   | 12     | 16     | 0.5    | 6.5    | 13"       | 500        |
| <b>Multi - 6 Pack Inductors/Transformers</b> |        |        |        |        |        |        |        |        |           |            |
| PM600  | 330    | 100    | 24.5   | 28.5   | 20     | 24     | 0.35   | 6.5    | 13"       | 600        |
| PM610  | 330    | 100    | 32.5   | 36.5   | 24     | 32     | 0.35   | 7.8    | 13"       | 300        |
| PM620  | 330    | 100    | 44.5   | 48.5   | 28     | 44     | 0.35   | 8.3    | 13"       | 200        |



Dimensions: mm

**BOURNS®**

Tel. (877) 426-8767 • Fax (951) 781-5006

[www.bourns.com](http://www.bourns.com)

# Color Code Marking (MIL STD)

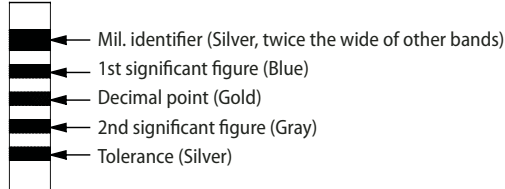
Applicable to series: 9130, 9210, 9220, 9230, 9250, 9310, 8250 with military identifier  
8230 without military identifier

| Color  | 1st & 2nd Significant Figure or Decimal Point | Multiplier | Tolerance |
|--------|---|------------|-----------|
| Black  | 0   | 1          |           |
| Brown  | 1   | 10         |           |
| Red    | 2   | 100        |           |
| Orange | 3   | 1000       |           |
| Yellow | 4   |            |           |
| Green  | 5   |            |           |
| Blue   | 6   |            |           |
| Violet | 7   |            |           |
| Gray   | 8   |            |           |
| White  | 9   |            |           |
| Silver |   |            | ± 10 %    |
| Gold   | Decimal Point                                 |            | ± 5 %     |

Example for L value less than 10  $\mu\text{H}$

6.8  $\mu\text{H}$

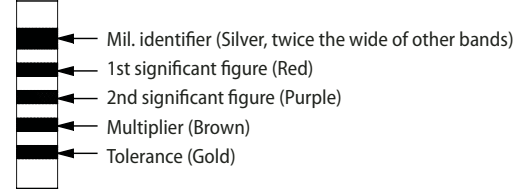
±10 %



Example for L value 10  $\mu\text{H}$  and

higher 270  $\mu\text{H}$

±5 %



For cylindrical choke coils. Cylindrical choke coils shall be marked with five colored bands. A silver band MIL identifier of double the width of the other four bands, located near one end of the coil, identifies military radio frequency coils; four other bands of equal width, three indicating the inductance in microhenries and the fourth band indicating the tolerance in percent. Color coding shall be in accordance with the color code of table. When either the first or second band of the three bands is gold, this band shall represent the decimal point for inductance values less than 10, and the other two bands shall represent significant figures. For inductance values of 10 or more, the first two bands shall represent significant figures, and the third band shall represent the multiplier. For small units, dots may be used instead of bands, when specified. The diameter of the MIL-identifier dot shall be larger than the other dots. Typical color coding examples are shown above.

## Numerical Marking

Applicable to series: 9130, 9210, 9220, 9230, 9250, 9310

Inductance and tolerance is laser marked to inductor body

Example: 6.8  $\mu\text{H}$ , ± 10 % is marked: 6.8  $\mu\text{H}$   
± 10 %

**BOURNS®**

Tel. (877) 426-8767 • Fax (951) 781-5006

[www.bourns.com](http://www.bourns.com)

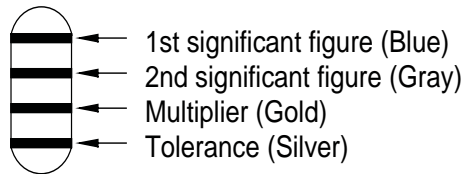
# Color Code Marking (EIA STD)

Applicable to series: 5300, 77F, 78F, 79F

| Color  | 1st & 2nd Significant Figure | Multiplier | Tolerance |
|--------|------------------------------|------------|-----------|
| Silver |                              | 0.01       | ± 10 %    |
| Gold   |                              | 0.1        | ± 5 %     |
| Black  | 0                            | 1          |           |
| Brown  | 1                            | 10         |           |
| Red    | 2                            | 100        |           |
| Orange | 3                            | 1000       |           |
| Yellow | 4                            |            |           |
| Green  | 5                            |            |           |
| Blue   | 6                            |            |           |
| Violet | 7                            |            |           |
| Gray   | 8                            |            |           |
| White  | 9                            |            |           |

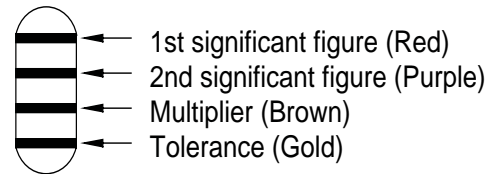
Example for L value less than 10  $\mu\text{H}$

6.8  $\mu\text{H}$   
±10 %

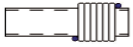
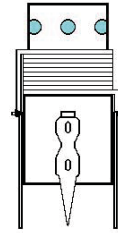
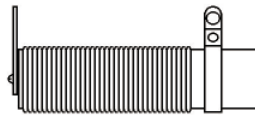
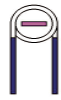
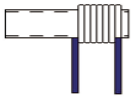


Example for L value 10  $\mu\text{H}$  and higher

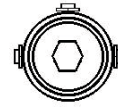
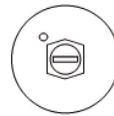
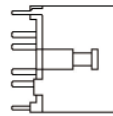
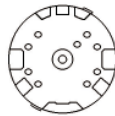
270  $\mu\text{H}$   
±5 %



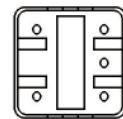
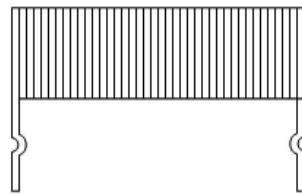
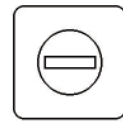
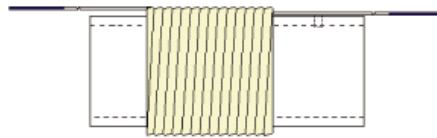
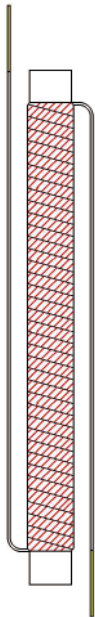
# Custom Inductors



*If you don't see what you're looking for...*



In addition to the extensive listing of inductors and transformers shown in this catalog, we also manufacture custom magnetic components for a broad spectrum of customers.

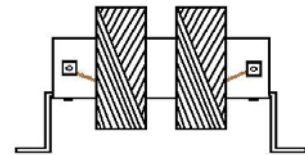
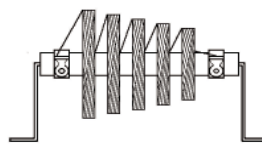
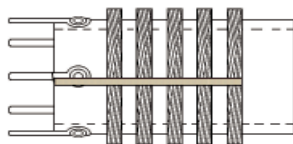
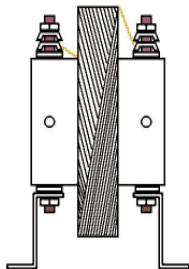


Send us your drawing or a sample of what you need and we will respond promptly to your request. If you need engineering assistance in the design of your components, we will be happy to provide this assistance. With multiple manufacturing facilities, Bourns can handle short or high volume production requirements.

**Phone (877) 426-8767**

**E-Mail: [techweb@bourns.com](mailto:techweb@bourns.com)**

**FAX (951) 781-5006**



**BOURNS®**

Tel. (877) 426-8767 • Fax (951) 781-5006

[www.bourns.com](http://www.bourns.com)



## Fixed Inductor Selector Guide

---



The following guide is designed to help you find all Fixed Inductors and Chokes that are listed in the Bourns® Magnetics - J.W. Miller Product Selection Catalog.

**First Column:** Rated current, milliampere (mA)  
1 mA = 0.001 A (ampere)

**Second Column:** Inductance, microhenry ( $\mu\text{H}$ )  
1  $\mu\text{H}$  = 1000 nH (nanohenry)  
1  $\mu\text{H}$  = 0.001 mH (millihenry)

**Third Column:** DC Resistance, ohms ( $\Omega$ )

**Fourth Column:** Type of Construction  
CC – Conformal coated  
CM – Common mode  
HD – Heavy duty  
M – Molded  
MS – Molded, shielded  
R – Radial lead  
SMC – Surface mount common mode  
SMCH – Surface mount, chip  
SMP – Surface mount, power  
SMPS – Surface mount, power, shielded  
SMT – Surface mount toroid  
T – Toroid  
TB – Toroid mounted on base  
V – Varnished  
VHD – Varnished heavy duty

**Fifth Column:** J.W. Miller part number

**Sixth Column:** Bourns part number

**Example:** 4.2 A, 10  $\mu\text{H}$ , surface mount type  
First, select rated current, 4200 (mA) or higher, at the first column  
Second, select inductance, 10 at the second column  
Third, select DC resistance (if specified) at the third column  
Fourth, select type of construction, SMP or SMPS at the fourth column  
Fifth, select P/N, PM5022-100M and PM1245H-100M match the descriptions  
Sixth, find Bourns cross

**BOURNS®**

Tel. (877) 426-8767 • Fax (951) 781-5006

[www.bourns.com](http://www.bourns.com)

# Selector Guide

| Current (mA) | Inductance (µH) | Resistance (ohms) | Coil Type | Part Number    | Current (mA) | Inductance (µH) | Resistance (ohms) | Coil Type | Part Number    |
|--------------|-----------------|-------------------|-----------|----------------|--------------|-----------------|-------------------|-----------|----------------|
| 5            | 15              | 0.8               | SMCH      | PM0805G-150M   | 20           | 82,000          | 212               | R         | RL622-823K-RC  |
| 5            | 18              | 0.9               | SMCH      | PM0805G-180M   | 20           | 100,000         | 235               | R         | RL622-104K-RC  |
| 5            | 22              | 1.1               | SMCH      | PM0805G-220M   | 21           | 18,000          | 17                | R         | RL1815-183J-RC |
| 5            | 27              | 1.15              | SMCH      | PM0805G-270M   | 21           | 18,000          | 175               | MS        | 9250-186       |
| 5            | 33              | 1.25              | SMCH      | PM0805G-330M   | 21           | 18,000          | 175               | MS        | 9250A-186      |
| 8            | 120,000         | 97                | R         | RL1815-124J-RC | 22           | 15,000          | 15                | R         | RL1815-153J-RC |
| 9            | 100,000         | 82                | R         | RL1815-104J-RC | 22           | 15,000          | 157               | MS        | 9250-156       |
| 10           | 82,000          | 71                | R         | RL1815-823J-RC | 22           | 15,000          | 157               | MS        | 9250A-156      |
| 11           | 68,000          | 67                | R         | RL1815-683J-RC | 22           | 100,000         | 484               | CC        | 8250-104K      |
| 11           | 82,000          | 618               | MS        | 9250-826       | 23           | 12,000          | 143               | MS        | 9250-126       |
| 11           | 82,000          | 618               | MS        | 9250A-826      | 23           | 12,000          | 143               | MS        | 9250A-126      |
| 11           | 100,000         | 678               | MS        | 9250-107       | 23           | 82,000          | 440               | CC        | 8250-823K      |
| 11           | 100,000         | 678               | MS        | 9250A-107      | 24           | 470             | 38                | CC        | 79F471K-RC     |
| 12           | 56,000          | 58                | R         | RL1815-563J-RC | 24           | 10,000          | 137               | MS        | 9250-106       |
| 12           | 68,000          | 580               | MS        | 9250-686       | 24           | 10,000          | 137               | MS        | 9250A-106      |
| 12           | 68,000          | 580               | MS        | 9250A-686      | 24           | 68,000          | 410               | CC        | 8250-683K      |
| 13           | 47,000          | 52                | R         | RL1815-473J-RC | 25           | 1               | 0.6               | SMCH      | PM0603G-1R0J   |
| 13           | 47,000          | 473               | MS        | 9250-476       | 25           | 1.2             | 0.8               | SMCH      | PM0603G-1R2J   |
| 13           | 47,000          | 473               | MS        | 9250A-476      | 25           | 1.5             | 0.8               | SMCH      | PM0603G-1R5J   |
| 13           | 56,000          | 512               | MS        | 9250-566       | 25           | 1.8             | 0.95              | SMCH      | PM0603G-1R8J   |
| 13           | 56,000          | 512               | MS        | 9250A-566      | 25           | 270             | 25                | CC        | 79F271K-RC     |
| 15           | 2.2             | 1.15              | SMCH      | PM0603G-2R2J   | 25           | 330             | 30                | CC        | 79F331K-RC     |
| 15           | 2.7             | 1.35              | SMCH      | PM0603G-2R7J   | 25           | 390             | 34                | CC        | 79F391K-RC     |
| 15           | 3.3             | 1.55              | SMCH      | PM0603G-3R3K   | 25           | 10,000          | 12.1              | R         | RL1815-103J-RC |
| 15           | 3.9             | 1.7               | SMCH      | PM0603G-3R9K   | 25           | 12,000          | 13                | R         | RL1815-123J-RC |
| 15           | 4.7             | 2.1               | SMCH      | PM0603G-4R7K   | 25           | 56,000          | 362               | CC        | 8250-563K      |
| 15           | 5.6             | 0.9               | SMCH      | PM0805G-5R6J   | 26           | 8200            | 119               | MS        | 9250-825       |
| 15           | 5.6             | 1.55              | SMCH      | PM0603G-5R6K   | 26           | 8200            | 119               | MS        | 9250A-825      |
| 15           | 6.8             | 1                 | SMCH      | PM0805G-6R8J   | 27           | 6800            | 111               | MS        | 9250-685       |
| 15           | 8.2             | 1.1               | SMCH      | PM0805G-8R2J   | 27           | 6800            | 111               | MS        | 9250A-685      |
| 15           | 10              | 1.15              | SMCH      | PM0805G-100J   | 27           | 47000           | 317               | CC        | 8250-473K      |
| 15           | 12              | 1.25              | SMCH      | PM0805G-120M   | 28           | 1000            | 72                | M         | 9130-92        |
| 15           | 33,000          | 343               | MS        | 9250-336       | 28           | 5600            | 98.9              | MS        | 9250-565       |
| 15           | 33,000          | 343               | MS        | 9250A-336      | 28           | 5600            | 98.9              | MS        | 9250A-565      |
| 15           | 39,000          | 45                | R         | RL1815-393J-RC | 29           | 820             | 65                | M         | 9130-90        |
| 15           | 39,000          | 376               | MS        | 9250-396       | 29           | 100,000         | 278               | V         | 70F101AF       |
| 15           | 39,000          | 376               | MS        | 9250A-396      | 30           | 2.2             | 0.65              | SMCH      | PM0805G-2R2J   |
| 16           | 27,000          | 308               | MS        | 9250-276       | 30           | 2.7             | 0.75              | SMCH      | PM0805G-2R7J   |
| 16           | 27,000          | 308               | MS        | 9250A-276      | 30           | 3.3             | 0.8               | SMCH      | PM0805G-3R3J   |
| 16           | 36,000          | 27                | R         | RL1815-363J-RC | 30           | 3.9             | 0.9               | SMCH      | PM0805G-3R9J   |
| 17           | 22,000          | 274               | MS        | 9250-226       | 30           | 4.7             | 1                 | SMCH      | PM0805G-4R7J   |
| 17           | 22,000          | 274               | MS        | 9250A-226      | 30           | 89.6            | 0.137             | SMP       | PM600-02       |
| 17           | 33,000          | 26                | R         | RL1815-333J-RC | 30           | 160.6           | 0.094             | SMP       | PM620-01       |
| 18           | 27,000          | 22                | R         | RL1815-273J-RC | 30           | 680             | 60                | M         | 9130-88        |
| 20           | 201.6           | 0.324             | SMP       | PM600-01       | 30           | 820             | 35                | SMCH      | PM1812-821J    |
| 20           | 10,000          | 32.8              | SMPS      | PM1608S-103M   | 30           | 1000            | 40                | SMCH      | PM1812-102J    |
| 20           | 10,000          | 55                | R         | RL262-103J-RC  | 30           | 5600            | 36                | R         | RL262-562J-RC  |
| 20           | 12,000          | 65                | R         | RL262-123J-RC  | 30           | 6800            | 40                | R         | RL262-682J-RC  |
| 20           | 15,000          | 80                | R         | RL262-153J-RC  | 30           | 8200            | 10.4              | R         | RL1815-822J-RC |
| 20           | 22,000          | 19.5              | R         | RL1815-223J-RC | 30           | 8200            | 45                | R         | RL262-822J-RC  |
| 20           | 56,000          | 135               | R         | RL622-563K-RC  | 30           | 18,000          | 60                | R         | RL187-183J-RC  |
| 20           | 68,000          | 150               | R         | RL622-683K-RC  | 30           | 22,000          | 56                | R         | RL622-223K-RC  |

## Coil Type

CC - Conformal coated

R - Radial lead

SMT - Surface mount toroid

CM - Common mode

SMC - Surface mount common mode

T - Toroid

HD - Heavy duty

SMCH - Surface mount, chip

TB - Toroid mounted on base

M - Molded

SMP - Surface mount, power

V - Varnished

MS - Molded, shielded

SMPS - Surface mount, power, shielded

VHD - Varnished heavy duty

**BOURNS®**

Tel. (877) 426-8767 • Fax (951) 781-5006

[www.bourns.com](http://www.bourns.com)

# Selector Guide

| Current (mA) | Inductance (µH) | Resistance (ohms) | Coil Type | Part Number    | Current (mA) | Inductance (µH) | Resistance (ohms) | Coil Type | Part Number    |
|--------------|-----------------|-------------------|-----------|----------------|--------------|-----------------|-------------------|-----------|----------------|
| 30           | 22,000          | 80                | R         | RL187-223J-RC  | 40           | 820             | 65                | M         | 9230-90        |
| 30           | 27,000          | 62                | R         | RL622-273K-RC  | 40           | 2700            | 47.3              | MS        | 9250-275       |
| 30           | 27,000          | 80                | R         | RL187-273J-RC  | 40           | 2700            | 47.3              | MS        | 9250A-275      |
| 30           | 33,000          | 70                | R         | RL622-333K-RC  | 40           | 3300            | 25                | R         | RL262-332J-RC  |
| 30           | 33,000          | 80                | R         | RL187-333J-RC  | 40           | 3300            | 53                | MS        | 9250-335       |
| 30           | 39,000          | 80                | R         | RL622-393K-RC  | 40           | 3300            | 53                | MS        | 9250A-335      |
| 30           | 47,000          | 99                | R         | RL622-473K-RC  | 40           | 3900            | 30                | R         | RL262-392J-RC  |
| 30           | 470,000         | 704               | V         | 70F471AF       | 40           | 4700            | 7.5               | R         | RL1815-472J-RC |
| 30           | 500,000         | 736               | V         | 70F501AF       | 40           | 4700            | 32                | R         | RL262-472J-RC  |
| 31           | 4700            | 81.6              | MS        | 9250-475       | 40           | 5600            | 8.4               | R         | RL1815-562J-RC |
| 31           | 4700            | 81.6              | MS        | 9250A-475      | 40           | 6800            | 25                | SMPS      | PM16085-682M   |
| 31           | 39,000          | 242               | CC        | 8250-393K      | 40           | 8200            | 92.4              | V         | 70F823AI       |
| 31           | 91,000          | 250               | V         | 70F912AF       | 40           | 10,000          | 40                | R         | RL187-103J-RC  |
| 32           | 33,000          | 222               | CC        | 8250-333K      | 40           | 10,000          | 80                | V         | 3500-103K      |
| 32           | 82,000          | 238               | V         | 70F822AF       | 40           | 12,000          | 33                | R         | RL622-123K-RC  |
| 33           | 75,000          | 222               | V         | 70F752AF       | 40           | 12,000          | 40                | R         | RL187-123J-RC  |
| 33           | 390,000         | 617               | V         | 70F391AF       | 40           | 15,000          | 37                | R         | RL622-153K-RC  |
| 34           | 27,000          | 195               | CC        | 8250-273K      | 40           | 15,000          | 60                | R         | RL187-153J-RC  |
| 34           | 68,000          | 215               | V         | 70F682AF       | 40           | 18,000          | 40                | R         | RL622-183K-RC  |
| 34           | 330,000         | 540               | V         | 70F331AF       | 40           | 22,000          | 145               | CC        | 8250-223K      |
| 35           | 0.33            | 0.85              | SMCH      | PM0603G-R33J   | 41           | 1000            | 26                | CC        | 78F102J        |
| 35           | 0.39            | 1                 | SMCH      | PM0603G-R39J   | 41           | 7500            | 85.2              | V         | 70F753AI       |
| 35           | 0.47            | 1.35              | SMCH      | PM0603G-R47J   | 41           | 22,000          | 144               | V         | 70F222AI       |
| 35           | 0.56            | 1.55              | SMCH      | PM0603G-R56J   | 41           | 39,000          | 147               | V         | 70F392AF       |
| 35           | 0.68            | 1.7               | SMCH      | PM0603G-R68J   | 41           | 180,000         | 374               | V         | 70F181AF       |
| 35           | 0.82            | 2.1               | SMCH      | PM0603G-R82J   | 42           | 120             | 13                | CC        | 79F121K-RC     |
| 35           | 220             | 20                | CC        | 79F221K-RC     | 42           | 680             | 60                | CC        | 8230-88        |
| 35           | 560             | 46                | M         | 9130-86        | 42           | 680             | 60                | M         | 9230-88        |
| 35           | 3900            | 73.8              | MS        | 9250-395       | 42           | 39,000          | 74.2              | R         | RL895-393K     |
| 35           | 3900            | 73.8              | MS        | 9250A-395      | 43           | 820             | 23                | CC        | 78F821J        |
| 35           | 6800            | 9.7               | R         | RL1815-682J-RC | 43           | 6800            | 78                | V         | 70F683AI       |
| 36           | 470             | 42                | M         | 9130-84        | 43           | 33,000          | 134               | V         | 70F332AF       |
| 36           | 56,000          | 189               | V         | 70F562AF       | 44           | 100             | 12                | CC        | 79F101K-RC     |
| 36           | 270,000         | 490               | V         | 70F271AF       | 44           | 18,000          | 128               | V         | 70F182AI       |
| 37           | 180             | 18                | CC        | 79F181K-RC     | 44           | 150,000         | 328               | V         | 70F151AF       |
| 37           | 50,000          | 175               | V         | 70F502AF       | 45           | 82              | 10                | SMCH      | PM1210-820J    |
| 37           | 250,000         | 468               | V         | 70F251AF       | 45           | 330             | 28                | M         | 9130-80        |
| 38           | 1000            | 72                | CC        | 8230-92        | 45           | 680             | 18                | CC        | 78F681J        |
| 38           | 1000            | 72                | M         | 9230-92        | 45           | 3900            | 7.2               | R         | RL1815-392J-RC |
| 38           | 10,000          | 101               | V         | 70F102AI       | 45           | 7500            | 55                | V         | 3500-752K      |
| 38           | 47,000          | 96.4              | R         | RL895-473K     | 45           | 27,000          | 120               | V         | 70F272AF       |
| 38           | 47,000          | 168               | V         | 70F472AF       | 46           | 82              | 11                | CC        | 79F820K-RC     |
| 39           | 150             | 16                | CC        | 79F151K-RC     | 46           | 5600            | 69.6              | V         | 70F563AI       |
| 39           | 9100            | 98.4              | V         | 70F913AI       | 46           | 25,000          | 115               | V         | 70F252AF       |
| 39           | 15,000          | 42.5              | HD        | 5800-153       | 47           | 270             | 25                | M         | 9130-78        |
| 39           | 18,000          | 48.3              | HD        | 5800-183       | 47           | 15,000          | 113               | V         | 70F152AI       |
| 39           | 220,000         | 424               | V         | 70F221AF       | 48           | 560             | 46                | CC        | 8230-86        |
| 40           | 77              | 0.065             | SMP       | PM620-02       | 48           | 560             | 46                | M         | 9230-86        |
| 40           | 100             | 10                | SMCH      | PM1210-101J    | 48           | 4700            | 64.8              | V         | 70F473AI       |
| 40           | 160             | 0.202             | SMP       | PM610-01       | 48           | 18,000          | 104               | CC        | 8250-183K      |
| 40           | 390             | 35                | M         | 9130-82        | 48           | 33,000          | 64.2              | R         | RL895-333K     |
| 40           | 820             | 65                | CC        | 8230-90        | 48           | 120,000         | 288               | V         | 70F121AF       |

## Coil Type

CC - Conformal coated

R - Radial lead

SMT - Surface mount toroid

CM - Common mode

SMC - Surface mount common mode

T - Toroid

HD - Heavy duty

SMCH - Surface mount, chip

TB - Toroid mounted on base

M - Molded

SMP - Surface mount, power

V - Varnished

MS - Molded, shielded

SMPS - Surface mount, power, shielded

VHD - Varnished heavy duty

**BOURNS®**

Tel. (877) 426-8767 • Fax (951) 781-5006

[www.bourns.com](http://www.bourns.com)

# Selector Guide

| Current (mA) | Inductance (µH) | Resistance (ohms) | Coil Type | Part Number    | Current (mA) | Inductance (µH) | Resistance (ohms) | Coil Type | Part Number     |
|--------------|-----------------|-------------------|-----------|----------------|--------------|-----------------|-------------------|-----------|-----------------|
| 49           | 15,000          | 97                | CC        | 8250-153K      | 52           | 10,000          | 75                | CC        | 5300-49         |
| 50           | 0.047           | 0.3               | SMCH      | PM0603G-R047J  | 52           | 27,000          | 55.2              | R         | RL895-273K      |
| 50           | 0.068           | 0.3               | SMCH      | PM0603G-R068J  | 53           | 470             | 11.6              | CC        | 78F471J         |
| 50           | 0.082           | 0.3               | SMCH      | PM0603G-R082J  | 53           | 3300            | 51.6              | V         | 70F333AI        |
| 50           | 0.1             | 0.5               | SMCH      | PM0603G-R10J   | 53           | 12,000          | 84                | CC        | 8250-123K       |
| 50           | 0.12            | 0.5               | SMCH      | PM0603G-R12J   | 54           | 8200            | 68                | CC        | 5300-48         |
| 50           | 0.15            | 0.6               | SMCH      | PM0603G-R15J   | 55           | 56              | 8                 | SMCH      | PM1210-560J     |
| 50           | 0.18            | 0.6               | SMCH      | PM0603G-R18J   | 55           | 390             | 35                | CC        | 8230-82         |
| 50           | 0.22            | 0.8               | SMCH      | PM0603G-R22J   | 55           | 390             | 35                | M         | 9230-82         |
| 50           | 0.27            | 0.8               | SMCH      | PM0603G-R27J   | 55           | 1500            | 26.5              | MS        | 9250-155        |
| 50           | 1               | 0.4               | SMCH      | PM0805G-1R0J   | 55           | 1500            | 26.5              | MS        | 9250A-155       |
| 50           | 1.2             | 0.5               | SMCH      | PM0805G-1R2J   | 55           | 2700            | 5.8               | R         | RL1815-272J-RC  |
| 50           | 1.5             | 0.5               | SMCH      | PM0805G-1R5J   | 57           | 180             | 17                | M         | 9130-74         |
| 50           | 1.8             | 0.6               | SMCH      | PM0805G-1R8J   | 57           | 2200            | 45.6              | V         | 70F223AI        |
| 50           | 4.7             | 0.2               | SMP       | PM32-4R7M      | 57           | 2500            | 45.6              | V         | 70F253AI        |
| 50           | 68              | 9                 | SMCH      | PM1210-680J    | 57           | 2700            | 45.6              | V         | 70F273AI        |
| 50           | 220             | 21                | SMCH      | PM1210-221J    | 59           | 1800            | 42                | V         | 70F183AI        |
| 50           | 470             | 42                | CC        | 8230-84        | 59           | 6800            | 58                | CC        | 5300-47         |
| 50           | 470             | 42                | M         | 9230-84        | 59           | 22,000          | 44.9              | R         | RL895-223K      |
| 50           | 560             | 30                | SMCH      | PM1812-561J    | 60           | 47              | 7                 | SMCH      | PM1210-470J     |
| 50           | 680             | 30                | SMCH      | PM1812-681J    | 60           | 78.4            | 0.094             | SMP       | PM610-02        |
| 50           | 820             | 7                 | R         | RL262-821J-RC  | 60           | 100             | 21                | SMCH      | PM1008M-101K-RC |
| 50           | 1000            | 8.4               | SMP       | PM3308-102M    | 60           | 180             | 17                | SMCH      | PM1210-181J     |
| 50           | 1000            | 9                 | R         | RL262-102J-RC  | 60           | 390             | 10.5              | CC        | 78F391J         |
| 50           | 1200            | 9                 | R         | RL262-122J-RC  | 60           | 1200            | 22.1              | MS        | 9250-125        |
| 50           | 1500            | 11                | R         | RL262-152J-RC  | 60           | 1200            | 22.1              | MS        | 9250A-125       |
| 50           | 1800            | 12                | R         | RL262-182J-RC  | 60           | 2200            | 5.2               | R         | RL1815-222J-RC  |
| 50           | 1800            | 29.9              | MS        | 9250-185       | 60           | 4700            | 13.9              | SMPS      | PM16085-472M    |
| 50           | 1800            | 29.9              | MS        | 9250A-185      | 61           | 150             | 15                | M         | 9130-72         |
| 50           | 2200            | 14                | R         | RL262-222J-RC  | 62           | 330             | 28                | CC        | 8230-80         |
| 50           | 2200            | 33.8              | MS        | 9250-225       | 62           | 330             | 28                | M         | 9230-80         |
| 50           | 2200            | 33.8              | MS        | 9250A-225      | 62           | 470             | 26                | SMCH      | PM1812-471J     |
| 50           | 2700            | 15                | R         | RL262-272J-RC  | 62           | 6800            | 62                | CC        | 8250-682K       |
| 50           | 3300            | 6.1               | R         | RL1815-332J-RC | 63           | 1500            | 37.2              | V         | 70F153AI        |
| 50           | 3900            | 13                | R         | RL187-392J-RC  | 63           | 5600            | 50                | CC        | 5300-46         |
| 50           | 4700            | 16                | R         | RL622-472K-RC  | 64           | 68              | 7.2               | CC        | 79F680K-RC      |
| 50           | 4700            | 18                | R         | RL187-472J-RC  | 65           | 39              | 6.4               | SMCH      | PM1210-390J     |
| 50           | 5600            | 18                | R         | RL187-562J-RC  | 65           | 82              | 19                | SMCH      | PM1008M-820K-RC |
| 50           | 5600            | 18                | R         | RL622-562K-RC  | 65           | 150             | 15                | SMCH      | PM1210-151J     |
| 50           | 6800            | 19                | R         | RL622-682K-RC  | 65           | 270             | 25                | CC        | 8230-78         |
| 50           | 6800            | 26                | R         | RL187-682J-RC  | 65           | 270             | 25                | M         | 9230-78         |
| 50           | 8200            | 21                | R         | RL622-822K-RC  | 65           | 330             | 9.5               | CC        | 78F331J         |
| 50           | 8200            | 26                | R         | RL187-822J-RC  | 65           | 680             | 22.8              | SMCH      | PM1812H-681K    |
| 50           | 10,000          | 25                | R         | RL622-103K-RC  | 65           | 1800            | 4.5               | R         | RL1815-182J-RC  |
| 50           | 10,000          | 26.4              | HD        | 5800-103       | 65           | 8200            | 20.8              | HD        | 5800-822        |
| 50           | 10,000          | 93.1              | CC        | 8250-103K      | 65           | 25,000          | 82                | V         | 6308            |
| 50           | 12,000          | 29.9              | HD        | 5800-123       | 65           | 50,000          | 127               | V         | 6310            |
| 50           | 12,000          | 100               | V         | 70F122AI       | 65           | 82,000          | 79.3              | HD        | 5900-823        |
| 51           | 560             | 13                | CC        | 78F561J        | 65           | 100,000         | 89.7              | HD        | 5900-104        |
| 51           | 3900            | 57.6              | V         | 70F393AI       | 66           | 120             | 13                | M         | 9130-70         |
| 52           | 220             | 21                | M         | 9130-76        | 66           | 1200            | 33.6              | V         | 70F123AI        |
| 52           | 8200            | 86.6              | CC        | 8250-822K      | 66           | 4700            | 29.9              | V         | 3500-472K       |

## Coil Type

CC - Conformal coated

R - Radial lead

SMT - Surface mount toroid

CM - Common mode

SMC - Surface mount common mode

T - Toroid

HD - Heavy duty

SMCH - Surface mount, chip

TB - Toroid mounted on base

M - Molded

SMP - Surface mount, power

V - Varnished

MS - Molded, shielded

SMPS - Surface mount, power, shielded

VHD - Varnished heavy duty

**BOURNS®**

Tel. (877) 426-8767 • Fax (951) 781-5006

[www.bourns.com](http://www.bourns.com)

# Selector Guide

| Current (mA) | Inductance (µH) | Resistance (ohms) | Coil Type | Part Number     | Current (mA) | Inductance (µH) | Resistance (ohms) | Coil Type | Part Number     |
|--------------|-----------------|-------------------|-----------|-----------------|--------------|-----------------|-------------------|-----------|-----------------|
| 66           | 5600            | 54.6              | CC        | 8250-562K       | 80           | 1800            | 6.4               | R         | RL622-182K-RC   |
| 66           | 18,000          | 38.9              | R         | RL895-183K      | 80           | 2200            | 6.8               | R         | RL622-222K-RC   |
| 68           | 56              | 6.4               | CC        | 79F560K-RC      | 80           | 2700            | 7.7               | R         | RL622-272K-RC   |
| 68           | 4700            | 51.2              | CC        | 8250-472K       | 80           | 3300            | 9                 | R         | RL622-332K-RC   |
| 68           | 15,000          | 29.1              | R         | RL895-153K      | 80           | 3300            | 11                | SMP       | PM1608S-332M    |
| 70           | 0.022           | 2.6               | SMCH      | PM0402T-22NG-RC | 80           | 3900            | 14                | R         | RL622-392K-RC   |
| 70           | 33              | 5.6               | SMCH      | PM1210-330J     | 80           | 3900            | 36.8              | CC        | 8250-392K       |
| 70           | 33              | 5.6               | SMCH      | PM1210G-330K-RC | 80           | 5600            | 25                | V         | 73F563AF        |
| 70           | 47              | 5.8               | CC        | 79F470K-RC      | 80           | 6800            | 29                | V         | 73F683AF        |
| 70           | 68              | 16.6              | SMCH      | PM1008M-680K-RC | 80           | 8200            | 30                | V         | 73F823AF        |
| 70           | 120             | 11                | SMCH      | PM1210-121J     | 80           | 10,000          | 34                | V         | 73F102AF        |
| 70           | 270             | 6.5               | CC        | 78F271J         | 80           | 39,000          | 125.5             | R         | 6000-393K       |
| 70           | 560             | 17                | SMCH      | PM1812H-561K    | 80           | 47,000          | 137.8             | R         | 6000-473K       |
| 70           | 1000            | 13.8              | SMP       | PM1608-102M     | 81           | 820             | 15.1              | M         | 9220-24         |
| 70           | 1000            | 17.5              | MS        | 9250-105        | 81           | 8200            | 30.6              | R         | RL875S-822K     |
| 70           | 1000            | 17.5              | MS        | 9250A-105       | 81           | 10,000          | 55.7              | R         | RL855-103K      |
| 70           | 1500            | 4                 | R         | RL1815-152J-RC  | 82           | 2700            | 19.3              | V         | 3500-272K       |
| 71           | 3900            | 26                | V         | 3500-392K       | 82           | 5600            | 13.9              | HD        | 5800-562        |
| 73           | 220             | 21                | CC        | 8230-76         | 82           | 6800            | 16.3              | HD        | 5800-682        |
| 73           | 220             | 21                | M         | 9230-76         | 82           | 68,000          | 57.3              | HD        | 5900-683        |
| 73           | 12,000          | 25                | R         | RL895-123K      | 83           | 750             | 14.4              | M         | 9220-22         |
| 74           | 39              | 5.2               | CC        | 79F390K-RC      | 83           | 3300            | 29                | CC        | 5300-43         |
| 74           | 4700            | 37                | CC        | 5300-45         | 84           | 100             | 8                 | M         | 9130-68         |
| 74           | 10,000          | 35                | R         | RL875S-103K     | 84           | 180             | 5                 | CC        | 78F181J         |
| 75           | 33              | 4.7               | CC        | 79F330K-RC      | 84           | 8200            | 55                | SMP       | PM1355-822K     |
| 75           | 56              | 12.1              | SMCH      | PM1008M-560K-RC | 84           | 10,000          | 33                | R         | RL875-103K      |
| 75           | 470             | 15                | SMCH      | PM1812H-471K    | 85           | 68              | 8.45              | SMCH      | PM1210H-680K    |
| 75           | 1200            | 3.7               | R         | RL1815-122J-RC  | 85           | 82              | 11                | SMCH      | PM20S-820K      |
| 76           | 220             | 5.7               | CC        | 78F221J         | 85           | 100             | 12                | SMCH      | PM20S-101K      |
| 77           | 3300            | 21.7              | V         | 3500-332K       | 85           | 150             | 15                | CC        | 8230-72         |
| 77           | 3900            | 34                | CC        | 5300-44         | 85           | 150             | 15                | M         | 9230-72         |
| 78           | 1000            | 16.5              | M         | 9220-28         | 85           | 330             | 14                | SMCH      | PM1812-331J     |
| 79           | 180             | 17                | CC        | 8230-74         | 85           | 390             | 13.5              | SMCH      | PM1812H-391K    |
| 79           | 180             | 17                | M         | 9230-74         | 85           | 680             | 13.7              | M         | 9220-20         |
| 79           | 910             | 15.8              | M         | 9220-26         | 85           | 3300            | 33.3              | CC        | 8250-332K       |
| 79           | 910             | 24                | V         | 70F914AI        | 86           | 2200            | 17.6              | V         | 3500-222K       |
| 79           | 1000            | 24                | V         | 70F103AI        | 87           | 680             | 19.8              | V         | 70F684AI        |
| 79           | 10,000          | 62                | SMP       | PM1355-103K     | 88           | 82              | 7.3               | M         | 9130-66         |
| 80           | 0.018           | 2                 | SMCH      | PM0402T-18NG-RC | 88           | 560             | 19.2              | V         | 70F564AI        |
| 80           | 27              | 4.3               | CC        | 79F270K-RC      | 88           | 620             | 13                | M         | 9220-18         |
| 80           | 27              | 5                 | SMCH      | PM1210-270J     | 88           | 8200            | 46.5              | R         | RL855-822K      |
| 80           | 27              | 5                 | SMCH      | PM1210G-270K-RC | 89           | 6800            | 23                | R         | RL875S-682K     |
| 80           | 47              | 11.1              | SMCH      | PM1008M-470K-RC | 89           | 6800            | 49                | SMP       | PM1355-682K     |
| 80           | 131.8           | 0.094             | SMP       | PM620-03        | 89           | 10,000          | 22                | R         | RL895-103K      |
| 80           | 390             | 18                | SMCH      | PM1812-391J     | 90           | 0.012           | 1.8               | SMCH      | PM0402T-12NG-RC |
| 80           | 680             | 11.8              | MS        | 9250-684        | 90           | 0.015           | 2                 | SMCH      | PM0402T-15NG-RC |
| 80           | 680             | 11.8              | MS        | 9250A-684       | 90           | 39              | 9.5               | SMCH      | PM1008M-390K-RC |
| 80           | 750             | 22.9              | V         | 70F754AI        | 90           | 68              | 10                | SMCH      | PM20S-680K      |
| 80           | 820             | 13                | MS        | 9250-824        | 90           | 150             | 4.4               | CC        | 78F151J         |
| 80           | 820             | 13                | MS        | 9250A-824       | 90           | 330             | 13                | SMCH      | PM1812H-331K    |
| 80           | 820             | 22.9              | V         | 70F824AI        | 90           | 470             | 12                | SMP       | PM32-471M       |
| 80           | 1500            | 6.1               | R         | RL622-152K-RC   | 90           | 560             | 10.5              | MS        | 9250-564        |

## Coil Type

CC - Conformal coated

R - Radial lead

SMT - Surface mount toroid

CM - Common mode

SMC - Surface mount common mode

T - Toroid

HD - Heavy duty

SMCH - Surface mount, chip

TB - Toroid mounted on base

M - Molded

SMP - Surface mount, power

V - Varnished

MS - Molded, shielded

SMPS - Surface mount, power, shielded

VHD - Varnished heavy duty

**BOURNS®**

Tel. (877) 426-8767 • Fax (951) 781-5006

[www.bourns.com](http://www.bourns.com)

# Selector Guide

| Current (mA) | Inductance (µH) | Resistance (ohms) | Coil Type | Part Number     | Current (mA) | Inductance (µH) | Resistance (ohms) | Coil Type | Part Number     |
|--------------|-----------------|-------------------|-----------|-----------------|--------------|-----------------|-------------------|-----------|-----------------|
| 90           | 560             | 10.5              | MS        | 9250A-564       | 100          | 2700            | 13                | R         | RL187-272J-RC   |
| 90           | 1000            | 3.4               | R         | RL1815-102J-RC  | 100          | 3300            | 13                | R         | RL187-332J-RC   |
| 90           | 2700            | 25                | CC        | 5300-42         | 100          | 3900            | 8.63              | HD        | 5800-392        |
| 90           | 33,000          | 91.5              | R         | 6000-333K       | 100          | 4700            | 10.5              | HD        | 5800-472        |
| 91           | 500             | 18                | V         | 70F504AI        | 100          | 4700            | 21.5              | V         | 73F473AF        |
| 91           | 560             | 12.3              | M         | 9220-16         | 100          | 6200            | 37                | V         | 4670            |
| 91           | 1800            | 15.8              | V         | 3500-182K       | 100          | 6800            | 21.8              | R         | RL875-682K      |
| 92           | 68              | 6.7               | M         | 9130-64         | 100          | 8200            | 15.3              | R         | RL895-822K      |
| 92           | 270             | 12                | SMCH      | PM1812-271J     | 100          | 8200            | 46                | V         | 4671            |
| 92           | 470             | 9.5               | MS        | 9250-474        | 100          | 10,000          | 31                | V         | 6306            |
| 92           | 470             | 9.5               | MS        | 9250A-474       | 100          | 10,000          | 50                | V         | 4672            |
| 92           | 510             | 11.6              | M         | 9220-15         | 100          | 27,000          | 82.7              | R         | 6000-273K       |
| 93           | 500             | 11.6              | M         | 9220-14         | 100          | 39,000          | 31.8              | HD        | 5900-393        |
| 93           | 8200            | 28.7              | R         | RL875-822K      | 100          | 47,000          | 36.1              | HD        | 5900-473        |
| 95           | 56              | 10                | SMCH      | PM205-560K      | 100          | 56,000          | 40.9              | HD        | 5900-563        |
| 95           | 470             | 11.1              | M         | 9220-12         | 101          | 240             | 7.8               | M         | 9210-94         |
| 95           | 470             | 16.3              | V         | 70F474AI        | 102          | 180             | 9.5               | SMCH      | PM1812-181J     |
| 97           | 120             | 13                | CC        | 8230-70         | 102          | 350             | 14.4              | V         | 70F354AI        |
| 97           | 120             | 13                | M         | 9230-70         | 102          | 360             | 9.6               | M         | 9220-06         |
| 97           | 390             | 15.8              | V         | 70F394AI        | 103          | 220             | 7.45              | M         | 9210-92         |
| 97           | 430             | 10.6              | M         | 9220-10         | 103          | 330             | 13.9              | V         | 70F334AI        |
| 97           | 2700            | 25.1              | CC        | 8250-272K       | 103          | 2200            | 22                | CC        | 8250-222K       |
| 98           | 6800            | 31.7              | R         | RL855-682K      | 105          | 39              | 5.9               | SMCH      | PM205-390K      |
| 99           | 5600            | 20.4              | R         | RL8755-562K     | 105          | 47              | 5.46              | SMCH      | PM1210H-470K    |
| 100          | 0.01            | 1.6               | SMCH      | PM0402T-10NG-RC | 105          | 150             | 9                 | SMCH      | PM1812-151J     |
| 100          | 18              | 7.5               | V         | 74F185AP        | 105          | 330             | 9.1               | M         | 9220-04         |
| 100          | 22              | 3.4               | CC        | 79F220K-RC      | 105          | 390             | 7.4               | MS        | 9250-394        |
| 100          | 47              | 8                 | SMCH      | PM205-470K      | 105          | 390             | 7.4               | MS        | 9250A-394       |
| 100          | 56              | 5.7               | M         | 9130-62         | 105          | 820             | 10.5              | CC        | 77F821J         |
| 100          | 100             | 6                 | V         | 74F104AI        | 106          | 200             | 7.1               | M         | 9210-90         |
| 100          | 120             | 3.8               | CC        | 78F121J         | 106          | 270             | 13.2              | V         | 70F274AI        |
| 100          | 220             | 5.5               | SMP       | PM32-221M       | 106          | 300             | 13.2              | V         | 70F304AI        |
| 100          | 220             | 10                | SMCH      | PM1812-221J     | 107          | 300             | 8.7               | M         | 9220-02         |
| 100          | 270             | 6                 | SMP       | PM32-271M       | 108          | 180             | 6.75              | M         | 9210-88         |
| 100          | 270             | 11                | SMCH      | PM1812H-271K    | 110          | 0.0082          | 1.3               | SMCH      | PM0402T-8N2-RC  |
| 100          | 330             | 7                 | SMP       | PM32-331M       | 110          | 22              | 3.7               | SMCH      | PM1210G-220K-RC |
| 100          | 390             | 4                 | R         | RL262-391J-RC   | 110          | 22              | 4                 | SMCH      | PM1210-220J     |
| 100          | 390             | 8                 | SMP       | PM32-391M       | 110          | 33              | 7.1               | SMCH      | PM1008M-330K-RC |
| 100          | 390             | 10                | M         | 9220-08         | 110          | 47              | 4.5               | M         | 9130-60         |
| 100          | 470             | 5                 | R         | RL262-471J-RC   | 110          | 100             | 8                 | SMCH      | PM1812-101J     |
| 100          | 560             | 6                 | R         | RL262-561J-RC   | 110          | 120             | 8                 | SMCH      | PM1812-121J     |
| 100          | 680             | 5.3               | SMP       | PM3308-681M     | 110          | 270             | 8.2               | M         | 9220-00         |
| 100          | 680             | 6                 | R         | RL262-681J-RC   | 110          | 330             | 6.4               | MS        | 9250-334        |
| 100          | 820             | 26                | SMCH      | PM1008S-821M    | 110          | 330             | 6.4               | MS        | 9250A-334       |
| 100          | 1000            | 2                 | SMP       | PM3340-103M     | 110          | 1200            | 10                | V         | 3500-122K       |
| 100          | 1000            | 14                | CC        | 77F102J         | 110          | 4700            | 14.7              | R         | RL8755-472K     |
| 100          | 1000            | 30                | SMCH      | PM1008S-102M    | 110          | 5600            | 18.7              | R         | RL875-562K      |
| 100          | 1500            | 14.3              | V         | 3500-152K       | 110          | 5600            | 26.8              | R         | RL855-562K      |
| 100          | 1800            | 9                 | R         | RL187-182J-RC   | 110          | 6800            | 13.2              | R         | RL895-682K      |
| 100          | 2200            | 8.5               | SMPS      | PM1608S-222M    | 110          | 22,000          | 59.3              | R         | 6000-223K       |
| 100          | 2200            | 13                | R         | RL187-222J-RC   | 111          | 160             | 6.4               | M         | 9210-86         |
| 100          | 2200            | 19                | CC        | 5300-41         | 111          | 250             | 12.1              | V         | 70F254AI        |

## Coil Type

CC - Conformal coated

R - Radial lead

SMT - Surface mount toroid

CM - Common mode

SMC - Surface mount common mode

T - Toroid

HD - Heavy duty

SMCH - Surface mount, chip

TB - Toroid mounted on base

M - Molded

SMP - Surface mount, power

V - Varnished

MS - Molded, shielded

SMPS - Surface mount, power, shielded

VHD - Varnished heavy duty

**BOURNS®**

Tel. (877) 426-8767 • Fax (951) 781-5006

[www.bourns.com](http://www.bourns.com)

# Selector Guide

| Current (mA) | Inductance (µH) | Resistance (ohms) | Coil Type | Part Number     | Current (mA) | Inductance (µH) | Resistance (ohms) | Coil Type | Part Number     |
|--------------|-----------------|-------------------|-----------|-----------------|--------------|-----------------|-------------------|-----------|-----------------|
| 111          | 1800            | 19.1              | CC        | 8250-182K       | 126          | 470             | 7.7               | CC        | 77F471J         |
| 113          | 680             | 9.4               | CC        | 77F681J         | 128          | 110             | 4.9               | M         | 9210-78         |
| 114          | 150             | 6.05              | M         | 9210-84         | 130          | 0.0068          | 1.1               | SMCH      | PM0402T-6N8-RC  |
| 114          | 220             | 11.5              | V         | 70F224AI        | 130          | 10              | 0.72              | CC        | 78F100J         |
| 114          | 5600            | 30                | SMP       | PM1355-562K     | 130          | 10              | 3.7               | M         | 9130-44         |
| 115          | 27              | 6.3               | SMCH      | PM1008M-270K-RC | 130          | 15              | 2.8               | SMCH      | PM1210G-150K-RC |
| 115          | 33              | 3.64              | SMCH      | PM1210H-330K    | 130          | 15              | 3.2               | SMCH      | PM1210-150J     |
| 115          | 33              | 5.1               | SMCH      | PM205-330K      | 130          | 18              | 4.8               | SMCH      | PM1008M-180K-RC |
| 115          | 270             | 5.8               | MS        | 9250-274        | 130          | 33              | 3.4               | M         | 9130-56         |
| 115          | 270             | 5.8               | MS        | 9250A-274       | 130          | 68              | 6                 | SMCH      | PM1812-680J     |
| 119          | 1500            | 16.8              | CC        | 8250-152K       | 130          | 82              | 7.3               | CC        | 8230-66         |
| 120          | 18              | 3.3               | SMCH      | PM1210G-180K-RC | 130          | 82              | 7.3               | M         | 9230-66         |
| 120          | 18              | 3.6               | SMCH      | PM1210-180J     | 130          | 150             | 4                 | SMP       | PM32-151M       |
| 120          | 63.2            | 0.065             | SMP       | PM620-04        | 130          | 560             | 18                | SMCH      | PM1008S-561M    |
| 120          | 82              | 7                 | SMCH      | PM1812-820J     | 130          | 1000            | 5.74              | SMPS      | PM7032S-102M    |
| 120          | 180             | 5                 | SMP       | PM32-181M       | 130          | 1200            | 4                 | R         | RL622-122K-RC   |
| 120          | 180             | 7.5               | SMCH      | PM1812H-181K    | 130          | 1500            | 12                | CC        | 5300-39         |
| 120          | 200             | 10.3              | V         | 70F204AI        | 130          | 3300            | 9.74              | R         | RL875S-332K     |
| 120          | 220             | 9                 | SMCH      | PM1812H-221K    | 130          | 3900            | 18                | R         | RL85S-392K      |
| 120          | 470             | 7                 | SMP       | PMS2-471M       | 130          | 4700            | 7.89              | R         | RL89S-472K      |
| 120          | 560             | 8                 | SMP       | PMS2-561M       | 130          | 8200            | 11.5              | CM        | 3000-822        |
| 120          | 560             | 8.5               | CC        | 77F561J         | 132          | 82              | 3.2               | CC        | 78F820J         |
| 120          | 680             | 9.2               | SMP       | PM1608-681M     | 133          | 100             | 4.5               | M         | 9210-76         |
| 120          | 680             | 24                | SMCH      | PM1008S-681M    | 133          | 390             | 7                 | CC        | 77F391J         |
| 120          | 1500            | 4.2               | SMPS      | PM1608S-152M    | 135          | 27              | 1.35              | CC        | 78F270J         |
| 120          | 1800            | 14                | CC        | 5300-40         | 135          | 27              | 3.5               | M         | 9130-54         |
| 120          | 3900            | 12.9              | R         | RL875S-392K     | 135          | 56              | 5.5               | SMCH      | PM1812-560J     |
| 120          | 4700            | 16.7              | R         | RL87S-472K      | 135          | 68              | 6.7               | CC        | 8230-64         |
| 120          | 4700            | 23.9              | R         | RL85S-472K      | 135          | 68              | 6.7               | M         | 9230-64         |
| 120          | 5600            | 11.5              | R         | RL89S-562K      | 135          | 120             | 8.16              | V         | 70F124AI        |
| 120          | 10,000          | 13.1              | CM        | 3000-103        | 135          | 150             | 8.16              | V         | 70F154AI        |
| 120          | 18,000          | 53.6              | R         | 6000-183K       | 135          | 180             | 4.4               | MS        | 9250-184        |
| 121          | 130             | 5.45              | M         | 9210-82         | 135          | 180             | 4.4               | MS        | 9250A-184       |
| 124          | 120             | 5.2               | M         | 9210-80         | 135          | 180             | 8.16              | V         | 70F184AI        |
| 125          | 22              | 5.5               | SMCH      | PM1008M-220K-RC | 136          | 91              | 4.3               | M         | 9210-74         |
| 125          | 27              | 3.3               | SMCH      | PM205-270K      | 136          | 3900            | 21                | SMP       | PM1355-392K     |
| 125          | 39              | 3.6               | M         | 9130-58         | 137          | 68              | 2.9               | CC        | 78F680J         |
| 125          | 100             | 3.5               | CC        | 78F101J         | 137          | 330             | 6.4               | CC        | 77F331J         |
| 125          | 100             | 8                 | CC        | 8230-68         | 139          | 100             | 7.68              | V         | 70F104AI        |
| 125          | 100             | 8                 | M         | 9230-68         | 139          | 1000            | 12.1              | CC        | 8250-102K       |
| 125          | 220             | 5                 | MS        | 9250-224        | 140          | 0.0056          | 0.9               | SMCH      | PM0402T-5N6-RC  |
| 125          | 220             | 5                 | MS        | 9250A-224       | 140          | 12              | 2.5               | SMCH      | PM1210G-120K-RC |
| 125          | 1200            | 15.1              | CC        | 8250-122K       | 140          | 12              | 2.8               | SMCH      | PM1210-120J     |
| 125          | 2700            | 5.9               | HD        | 5800-272        | 140          | 15              | 4.4               | SMCH      | PM1008M-150K-RC |
| 125          | 2700            | 13.5              | V         | 73F273AF        | 140          | 18              | 3.1               | CC        | 79F180K-RC      |
| 125          | 3300            | 6.56              | HD        | 5800-332        | 140          | 22              | 1.2               | CC        | 78F220J         |
| 125          | 3300            | 15.1              | V         | 73F333AF        | 140          | 22              | 3.3               | M         | 9130-52         |
| 125          | 3900            | 18                | V         | 73F393AF        | 140          | 47              | 5                 | SMCH      | PM1812-470J     |
| 125          | 4700            | 25                | SMP       | PM1355-472K     | 140          | 120             | 3.5               | SMP       | PM32-121M       |
| 125          | 22,000          | 21.8              | HD        | 5900-223        | 140          | 150             | 4.1               | MS        | 9250-154        |
| 125          | 27,000          | 22.7              | HD        | 5900-273        | 140          | 150             | 4.1               | MS        | 9250A-154       |
| 125          | 33,000          | 25.7              | HD        | 5900-333        | 140          | 150             | 6.5               | SMCH      | PM1812H-151K    |

## Coil Type

CC - Conformal coated

R - Radial lead

SMT - Surface mount toroid

CM - Common mode

SMC - Surface mount common mode

T - Toroid

HD - Heavy duty

SMCH - Surface mount, chip

TB - Toroid mounted on base

M - Molded

SMP - Surface mount, power

V - Varnished

MS - Molded, shielded

SMPS - Surface mount, power, shielded

VHD - Varnished heavy duty

**BOURNS®**

Tel. (877) 426-8767 • Fax (951) 781-5006

[www.bourns.com](http://www.bourns.com)

# Selector Guide

| Current (mA) | Inductance (µH) | Resistance (ohms) | Coil Type | Part Number     | Current (mA) | Inductance (µH) | Resistance (ohms) | Coil Type | Part Number     |
|--------------|-----------------|-------------------|-----------|-----------------|--------------|-----------------|-------------------|-----------|-----------------|
| 140          | 180             | 4                 | SMPS      | PM42S-181       | 150          | 1000            | 6                 | R         | RL187-102J-RC   |
| 140          | 330             | 6                 | SMP       | PMS2-331M       | 150          | 1000            | 7.5               | V         | 73F103AF        |
| 140          | 390             | 6.5               | SMP       | PMS2-391M       | 150          | 1000            | 7.8               | SMPS      | PM735H-102M     |
| 140          | 820             | 6.33              | V         | 3500-821K       | 150          | 1200            | 7.8               | V         | 73F123AF        |
| 140          | 1000            | 7.31              | V         | 3500-102K       | 150          | 1200            | 9                 | CC        | 5300-38         |
| 140          | 2700            | 8.54              | R         | RL875S-272K     | 150          | 1200            | 9                 | R         | RL187-122J-RC   |
| 140          | 3300            | 15.9              | R         | RL85S-332K      | 150          | 1500            | 8.8               | V         | 73F153AF        |
| 140          | 3900            | 6.84              | R         | RL89S-392K      | 150          | 1500            | 9                 | R         | RL187-152J-RC   |
| 140          | 3900            | 1402              | R         | RL87S-392K      | 150          | 1800            | 11                | V         | 73F183AF        |
| 140          | 6800            | 10.2              | CM        | 3000-682        | 150          | 2200            | 12                | V         | 73F223AF        |
| 140          | 15,000          | 48.9              | R         | 6000-153K       | 150          | 3300            | 6.16              | R         | RL89S-332K      |
| 143          | 82              | 3.9               | M         | 9210-72         | 150          | 3300            | 10.6              | R         | RL87S-332K      |
| 145          | 15              | 2.8               | CC        | 79F150K-RC      | 150          | 5600            | 9.03              | CM        | 3000-562        |
| 145          | 18              | 1                 | CC        | 78F180J         | 150          | 12,000          | 34.7              | R         | 6000-123K       |
| 145          | 18              | 3.1               | M         | 9130-50         | 151          | 820             | 10.4              | CC        | 8250-821K       |
| 145          | 22              | 2.6               | SMCH      | PM1210H-220K    | 151          | 3300            | 17                | SMP       | PM135S-332K     |
| 145          | 56              | 5.7               | CC        | 8230-62         | 155          | 8.2             | 0.55              | CC        | 78F8R2J         |
| 145          | 56              | 5.7               | M         | 9230-62         | 155          | 8.2             | 2.7               | M         | 9130-42         |
| 145          | 270             | 5.8               | CC        | 77F271J         | 155          | 10              | 2.95              | SMCH      | PM1008-100K     |
| 147          | 75              | 3.7               | M         | 9210-70         | 155          | 10              | 3.5               | SMCH      | PM1008M-100K-RC |
| 150          | 0.039           | 1.2               | SMCH      | PM0402-39NJ     | 155          | 12              | 0.8               | CC        | 78F120J         |
| 150          | 0.047           | 0.83              | SMCH      | PM0402C-47NJ    | 155          | 12              | 2.7               | M         | 9130-46         |
| 150          | 0.047           | 1.3               | SMCH      | PM0402-47NJ     | 155          | 18              | 2.7               | SMCH      | PM20S-180K      |
| 150          | 0.056           | 1.4               | SMCH      | PM0402-56NJ     | 155          | 220             | 5.1               | CC        | 77F221J         |
| 150          | 0.056           | 5                 | SMCH      | PM0603T-56NG-RC | 156          | 68              | 3.3               | M         | 9210-68         |
| 150          | 0.068           | 5                 | SMCH      | PM0603T-68NG-RC | 156          | 91              | 4.92              | V         | 70F915AI        |
| 150          | 0.56            | 0.75              | SMCH      | PM0805G-R56J    | 156          | 2700            | 16                | SMP       | PM135S-272K     |
| 150          | 0.68            | 0.8               | SMCH      | PM0805G-R68J    | 158          | 82              | 4.8               | V         | 70F825AI        |
| 150          | 0.82            | 1                 | SMCH      | PM0805G-R82J    | 158          | 1500            | 3.45              | HD        | 5800-152        |
| 150          | 10              | 2.1               | SMCH      | PM1210G-100K-RC | 158          | 1800            | 4.03              | HD        | 5800-182        |
| 150          | 10              | 2.5               | SMCH      | PM1210-100J     | 158          | 2200            | 4.48              | HD        | 5800-222        |
| 150          | 12              | 2.5               | CC        | 79F120K-RC      | 158          | 18,000          | 14.8              | HD        | 5900-183        |
| 150          | 12              | 3.8               | SMCH      | PM1008M-120K-RC | 160          | 0.0047          | 0.7               | SMCH      | PM0402T-4N7-RC  |
| 150          | 15              | 0.88              | CC        | 78F150J         | 160          | 8.2             | 2.65              | SMCH      | PM1008-8R2K     |
| 150          | 15              | 2.8               | M         | 9130-48         | 160          | 8.2             | 3.05              | SMCH      | PM1008M-8R2K-RC |
| 150          | 15              | 6                 | V         | 74F155AP        | 160          | 10              | 2.4               | CC        | 79F100K-RC      |
| 150          | 22              | 3.1               | SMCH      | PM20S-220K      | 160          | 33              | 4                 | SMCH      | PM1812-330J     |
| 150          | 39              | 4.5               | SMCH      | PM1812-390J     | 160          | 33              | 4                 | SMCH      | PM1812G-330K-RC |
| 150          | 56              | 2.6               | CC        | 78F560J         | 160          | 62              | 3.15              | M         | 9210-66         |
| 150          | 100             | 3                 | SMP       | PM32-101M       | 160          | 82              | 2.5               | SMP       | PM32-820M       |
| 150          | 120             | 3.6               | MS        | 9250-124        | 160          | 100             | 3.12              | MS        | 9250-104        |
| 150          | 120             | 3.6               | MS        | 9250A-124       | 160          | 100             | 3.12              | MS        | 9250A-104       |
| 150          | 150             | 2.67              | SMPS      | PM42S-151       | 160          | 100             | 5.4               | V         | 4642            |
| 150          | 180             | 4                 | SMP       | PMS2-181M       | 160          | 120             | 4.5               | SMCH      | PM1812H-121K    |
| 150          | 220             | 3                 | R         | RL262-221J-RC   | 160          | 150             | 6.5               | V         | 4644            |
| 150          | 220             | 4.5               | SMP       | PMS2-221M       | 160          | 240             | 8.5               | V         | 4646            |
| 150          | 270             | 3                 | R         | RL262-271J-RC   | 160          | 330             | 3.8               | SMP       | PM1608-331M     |
| 150          | 270             | 5                 | SMP       | PMS2-271M       | 160          | 390             | 11                | V         | 4648            |
| 150          | 330             | 4                 | R         | RL262-331J-RC   | 160          | 470             | 5.29              | V         | 3500-471K       |
| 150          | 470             | 5.06              | SMP       | PM1608-471M     | 160          | 470             | 16.5              | SMCH      | PM1008S-471M    |
| 150          | 680             | 5.93              | V         | 3500-681K       | 160          | 550             | 13                | V         | 4649            |
| 150          | 1000            | 3.4               | SMPS      | PM1608S-102M    | 160          | 560             | 5.41              | V         | 3500-561K       |

## Coil Type

CC - Conformal coated

R - Radial lead

SMT - Surface mount toroid

CM - Common mode

SMC - Surface mount common mode

T - Toroid

HD - Heavy duty

SMCH - Surface mount, chip

TB - Toroid mounted on base

M - Molded

SMP - Surface mount, power

V - Varnished

MS - Molded, shielded

SMPS - Surface mount, power, shielded

VHD - Varnished heavy duty

**BOURNS®**

Tel. (877) 426-8767 • Fax (951) 781-5006

[www.bourns.com](http://www.bourns.com)



# Selector Guide

| Current (mA) | Inductance (µH) | Resistance (ohms) | Coil Type | Part Number     | Current (mA) | Inductance (µH) | Resistance (ohms) | Coil Type | Part Number     |
|--------------|-----------------|-------------------|-----------|-----------------|--------------|-----------------|-------------------|-----------|-----------------|
| 160          | 620             | 15                | V         | 4650            | 175          | 6.8             | 0.45              | CC        | 78F6R8J         |
| 160          | 750             | 16                | V         | 4651            | 175          | 6.8             | 2                 | CC        | 79F6R8K-RC      |
| 160          | 1000            | 2.96              | R         | RL822-102K-RC   | 175          | 6.8             | 2                 | M         | 9130-40         |
| 160          | 1000            | 7.9               | CC        | 5300-37         | 175          | 12              | 2.3               | SMCH      | PM205-120K      |
| 160          | 1000            | 8.6               | V         | 4662            | 175          | 150             | 4.2               | CC        | 77F151J         |
| 160          | 1000            | 19                | V         | 4652            | 176          | 39              | 2.6               | M         | 9210-56         |
| 160          | 1200            | 5.24              | SMT       | PM3602-300      | 176          | 56              | 3.84              | V         | 70F565AI        |
| 160          | 1500            | 11                | V         | 4664            | 180          | 3.9             | 2.1               | SMCH      | PM1008M-3R9K-RC |
| 160          | 2200            | 7.56              | R         | RL8755-222K     | 180          | 5.6             | 1.9               | CC        | 79F5R6K-RC      |
| 160          | 2400            | 15                | V         | 4666            | 180          | 6.8             | 1.8               | SMCH      | PM1210G-6R8K-RC |
| 160          | 2500            | 9                 | V         | 6302            | 180          | 6.8             | 2                 | SMCH      | PM1210-6R8J     |
| 160          | 2700            | 8.72              | R         | RL875-272K      | 180          | 10              | 3.7               | CC        | 8230-44         |
| 160          | 2700            | 13.1              | R         | RL855-272K      | 180          | 10              | 3.7               | M         | 9230-44         |
| 160          | 3900            | 20                | V         | 4668            | 180          | 15              | 1.69              | SMCH      | PM1210H-150K    |
| 160          | 5000            | 14                | V         | 6304            | 180          | 22              | 3.2               | SMCH      | PM1812-220J     |
| 160          | 5500            | 25                | V         | 4669            | 180          | 22              | 3.2               | SMCH      | PM1812G-220K-RC |
| 160          | 18,000          | 34.1              | R         | 6100-183K-RC    | 180          | 36              | 2.5               | M         | 9210-54         |
| 162          | 75              | 4.56              | V         | 70F755AI        | 180          | 39              | 3.6               | CC        | 8230-58         |
| 163          | 680             | 8.85              | CC        | 8250-681K       | 180          | 39              | 3.6               | M         | 9230-58         |
| 164          | 56              | 3                 | M         | 9210-64         | 180          | 68              | 2                 | SMP       | PM32-680M       |
| 165          | 6.8             | 2                 | SMCH      | PM1008-6R8K     | 180          | 82              | 2.44              | MS        | 9250-823        |
| 165          | 6.8             | 2.7               | SMCH      | PM1008M-6R8K-RC | 180          | 82              | 2.44              | MS        | 9250A-823       |
| 165          | 8.2             | 2.2               | CC        | 79F8R2K-RC      | 180          | 100             | 4                 | SMCH      | PM1812H-101K    |
| 165          | 15              | 2.5               | SMCH      | PM205-150K      | 180          | 120             | 2.39              | SMPS      | PM425-121       |
| 165          | 47              | 4.5               | CC        | 8230-60         | 180          | 150             | 4                 | SMP       | PM52-151M       |
| 165          | 47              | 4.5               | M         | 9230-60         | 180          | 680             | 2.2               | SMPS      | PM1608S-681M    |
| 165          | 180             | 4.6               | CC        | 77F181J         | 180          | 680             | 6.4               | CC        | 5300-35         |
| 167          | 47              | 2.3               | CC        | 78F470J         | 180          | 820             | 2.7               | R         | RL822-821K-RC   |
| 167          | 51              | 2.85              | M         | 9210-62         | 180          | 820             | 5.34              | SMPS      | PM735H-821M     |
| 169          | 68              | 4.2               | V         | 70F685AI        | 180          | 2200            | 6.25              | R         | RL875-222K      |
| 170          | 0.0039          | 0.6               | SMCH      | PM0402T-3N9-RC  | 180          | 2200            | 11.1              | R         | RL855-222K      |
| 170          | 0.27            | 2.3               | SMCH      | PM0603-R27J     | 180          | 2200            | 12                | SMP       | PM1355-222K     |
| 170          | 0.47            | 2.5               | SMCH      | PM0805-R47K     | 180          | 3300            | 4                 | R         | RL824-332K-RC   |
| 170          | 0.56            | 3.5               | SMCH      | PM0805-R56K     | 180          | 3900            | 4.5               | R         | RL824-392K-RC   |
| 170          | 5.6             | 1.82              | SMCH      | PM1008-5R6K     | 180          | 4700            | 6.64              | CM        | 3000-472        |
| 170          | 5.6             | 2.5               | SMCH      | PM1008M-5R6K-RC | 180          | 8200            | 22.7              | R         | 6000-822K       |
| 170          | 8.2             | 2                 | SMCH      | PM1210G-8R2K-RC | 185          | 3.3             | 1.9               | SMCH      | PM1008M-3R3K-RC |
| 170          | 8.2             | 2.3               | SMCH      | PM1210-8R2J     | 185          | 5.6             | 0.4               | CC        | 78F5R6J         |
| 170          | 27              | 3.6               | SMCH      | PM1812-270J     | 185          | 5.6             | 1.8               | M         | 9130-38         |
| 170          | 27              | 3.6               | SMCH      | PM1812G-270K-RC | 185          | 10              | 2                 | SMCH      | PM205-100K      |
| 170          | 47              | 2.75              | M         | 9210-60         | 185          | 27              | 3.5               | CC        | 8230-54         |
| 170          | 68              | 2.7               | MS        | 9250-683        | 185          | 27              | 3.5               | M         | 9230-54         |
| 170          | 68              | 2.7               | MS        | 9250A-683       | 185          | 39              | 1.7               | CC        | 78F390J         |
| 170          | 820             | 7.1               | CC        | 5300-36         | 185          | 120             | 3.7               | CC        | 77F121J         |
| 170          | 1000            | 4.76              | SMT       | PM3602-250      | 187          | 33              | 3.4               | CC        | 8230-56         |
| 170          | 1800            | 6.81              | R         | RL8755-182K     | 187          | 33              | 3.4               | M         | 9230-56         |
| 170          | 2700            | 4.94              | R         | RL895-272K      | 188          | 39              | 3.36              | V         | 70F395AI        |
| 170          | 10,000          | 25.1              | R         | 6000-103K       | 188          | 47              | 3.36              | V         | 70F475AI        |
| 170          | 15,000          | 30.4              | R         | 6100-153K-RC    | 188          | 1800            | 11                | SMP       | PM1355-182K     |
| 172          | 43              | 2.7               | M         | 9210-58         | 190          | 0.0033          | 0.5               | SMCH      | PM0402T-3N3-RC  |
| 174          | 560             | 8                 | CC        | 8250-561K       | 190          | 4.7             | 1.7               | CC        | 79F4R7K-RC      |
| 175          | 4.7             | 2.3               | SMCH      | PM1008M-4R7K-RC | 190          | 18              | 2.8               | SMCH      | PM1812-180J     |

## Coil Type

CC - Conformal coated

R - Radial lead

SMT - Surface mount toroid

CM - Common mode

SMC - Surface mount common mode

T - Toroid

HD - Heavy duty

SMCH - Surface mount, chip

TB - Toroid mounted on base

M - Molded

SMP - Surface mount, power

V - Varnished

MS - Molded, shielded

SMPS - Surface mount, power, shielded

VHD - Varnished heavy duty

**BOURNS®**

Tel. (877) 426-8767 • Fax (951) 781-5006

[www.bourns.com](http://www.bourns.com)

# Selector Guide

| Current (mA) | Inductance (µH) | Resistance (ohms) | Coil Type | Part Number     | Current (mA) | Inductance (µH) | Resistance (ohms) | Coil Type | Part Number     |
|--------------|-----------------|-------------------|-----------|-----------------|--------------|-----------------|-------------------|-----------|-----------------|
| 190          | 18              | 2.8               | SMCH      | PM1812G-180K-RC | 200          | 180             | 3                 | R         | RL187-181J-RC   |
| 190          | 22              | 3.3               | CC        | 8230-52         | 200          | 180             | 3                 | R         | RL262-181J-RC   |
| 190          | 22              | 3.3               | M         | 9230-52         | 200          | 220             | 2.65              | SMP       | PM1608-221M     |
| 190          | 56              | 2.23              | MS        | 9250-563        | 200          | 220             | 3                 | R         | RL187-221J-RC   |
| 190          | 56              | 2.23              | MS        | 9250A-563       | 200          | 270             | 3                 | R         | RL187-271J-RC   |
| 190          | 390             | 3.45              | V         | 3500-391K       | 200          | 330             | 1.4               | SMPS      | PM1608S-331M    |
| 190          | 470             | 1.8               | SMPS      | PM1608S-471M    | 200          | 330             | 3.34              | V         | 3500-331K       |
| 190          | 680             | 3.78              | SMPS      | PM7032S-681M    | 200          | 330             | 4                 | R         | RL187-331J-RC   |
| 190          | 1500            | 4.5               | R         | RL875S-152K     | 200          | 330             | 11.5              | SMCH      | PM1008S-331M    |
| 190          | 2200            | 4.21              | R         | RL895-222K      | 200          | 390             | 4                 | R         | RL187-391J-RC   |
| 190          | 2700            | 3.35              | R         | RL824-272K-RC   | 200          | 470             | 4                 | SMP       | PM3308-471M     |
| 190          | 12,000          | 23.2              | R         | 6100-123K-RC    | 200          | 470             | 4                 | R         | RL187-471J-RC   |
| 192          | 470             | 6.45              | CC        | 8250-471K       | 200          | 470             | 4.8               | V         | 73F474AF        |
| 195          | 2.7             | 1.7               | SMCH      | PM1008M-2R7K-RC | 200          | 560             | 4                 | R         | RL187-561J-RC   |
| 195          | 8.2             | 1.65              | SMCH      | PM205-8R2K      | 200          | 560             | 5.3               | V         | 73F564AF        |
| 195          | 18              | 3.1               | CC        | 8230-50         | 200          | 680             | 1.2               | SMP       | PM3340-681M     |
| 195          | 18              | 3.1               | M         | 9230-50         | 200          | 680             | 4                 | R         | RL187-681J-RC   |
| 195          | 33              | 1.5               | CC        | 78F330J         | 200          | 680             | 4.55              | SMPS      | PM735H-681M     |
| 195          | 47              | 2.11              | MS        | 9250-473        | 200          | 680             | 6                 | V         | 73F684AF        |
| 195          | 47              | 2.11              | MS        | 9250A-473       | 200          | 800             | 3.36              | SMT       | PM3602-200      |
| 200          | 0.018           | 0.65              | SMCH      | PM0402-18NJ     | 200          | 820             | 1.96              | HD        | 5800-821        |
| 200          | 0.022           | 0.8               | SMCH      | PM0402-22NJ     | 200          | 820             | 6                 | R         | RL187-821J-RC   |
| 200          | 0.027           | 0.9               | SMCH      | PM0402-27NJ     | 200          | 820             | 6.8               | V         | 73F824AF        |
| 200          | 0.033           | 1                 | SMCH      | PM0402-33NJ     | 200          | 1000            | 2.3               | HD        | 5800-102        |
| 200          | 0.039           | 3                 | SMCH      | PM0603T-39NG-RC | 200          | 1200            | 2.65              | HD        | 5800-122        |
| 200          | 0.047           | 3                 | SMCH      | PM0603T-47NG-RC | 200          | 1800            | 5.05              | R         | RL875-182K      |
| 200          | 0.22            | 2.1               | SMCH      | PM0603-R22J     | 200          | 1800            | 8.26              | R         | RL855-182K      |
| 200          | 0.39            | 0.65              | SMCH      | PM0805G-R39J    | 200          | 3900            | 5.16              | CM        | 3000-392        |
| 200          | 0.39            | 1.5               | SMCH      | PM0805-R39K     | 200          | 6800            | 20.7              | R         | 6000-682K       |
| 200          | 0.47            | 0.65              | SMCH      | PM0805G-R47J    | 200          | 10,000          | 19.3              | R         | 6100-103K-RC    |
| 200          | 2.2             | 1.55              | SMCH      | PM1008M-2R2K-RC | 200          | 12,000          | 9.21              | HD        | 5900-123        |
| 200          | 3.9             | 1.5               | CC        | 79F3R9K-RC      | 200          | 15,000          | 10.5              | HD        | 5900-153        |
| 200          | 5.6             | 1.4               | SMCH      | PM205-5R6K      | 204          | 1500            | 9.4               | SMP       | PM1355-152K     |
| 200          | 5.6             | 1.6               | SMCH      | PM1210G-5R6K-RC | 205          | 6.8             | 1.6               | SMCH      | PM205-6R8K      |
| 200          | 5.6             | 1.8               | SMCH      | PM1210-5R6J     | 205          | 15              | 2.8               | CC        | 8230-48         |
| 200          | 12              | 2                 | MS        | 9250-123        | 205          | 15              | 2.8               | M         | 9230-48         |
| 200          | 12              | 2                 | MS        | 9250A-123       | 205          | 39              | 1.93              | MS        | 9250-393        |
| 200          | 12              | 3.6               | V         | 74F125AP        | 205          | 39              | 1.93              | MS        | 9250A-393       |
| 200          | 15              | 2.5               | SMCH      | PM1812-150J     | 205          | 390             | 5.62              | CC        | 8250-391K       |
| 200          | 15              | 2.5               | SMCH      | PM1812G-150K-RC | 208          | 33              | 2.76              | V         | 70F335AI        |
| 200          | 47              | 1.5               | SMP       | PM32-470M       | 210          | 1.8             | 1.45              | SMCH      | PM1008M-1R8K-RC |
| 200          | 56              | 1.8               | SMP       | PM32-560M       | 210          | 3.3             | 1.4               | CC        | 79F3R3K-RC      |
| 200          | 82              | 3.5               | SMCH      | PM1812H-820K    | 210          | 8.2             | 2.7               | CC        | 8230-42         |
| 200          | 82              | 5.1               | V         | 74F825AI        | 210          | 8.2             | 2.7               | M         | 9230-42         |
| 200          | 100             | 1.73              | SMPS      | PM425-101       | 210          | 12              | 2.7               | CC        | 8230-46         |
| 200          | 100             | 2                 | R         | RL187-101J-RC   | 210          | 12              | 2.7               | M         | 9230-46         |
| 200          | 100             | 2                 | R         | RL262-101J-RC   | 210          | 100             | 2                 | SMP       | PM52-101M       |
| 200          | 120             | 2                 | R         | RL187-121J-RC   | 210          | 220             | 10                | SMCH      | PM1008S-221M    |
| 200          | 120             | 3                 | SMP       | PM52-121M       | 210          | 560             | 4.7               | CC        | 5300-34         |
| 200          | 120             | 3                 | R         | RL262-121J-RC   | 210          | 680             | 2                 | R         | RL822-681K-RC   |
| 200          | 150             | 2                 | R         | RL187-151J-RC   | 210          | 1000            | 4.74              | SMPS      | PM745H-102M     |
| 200          | 150             | 3                 | R         | RL262-151J-RC   | 210          | 1200            | 3.98              | R         | RL875S-122K     |

## Coil Type

CC - Conformal coated

R - Radial lead

SMT - Surface mount toroid

CM - Common mode

SMC - Surface mount common mode

T - Toroid

HD - Heavy duty

SMCH - Surface mount, chip

TB - Toroid mounted on base

M - Molded

SMP - Surface mount, power

V - Varnished

MS - Molded, shielded

SMPS - Surface mount, power, shielded

VHD - Varnished heavy duty

**BOURNS®**

Tel. (877) 426-8767 • Fax (951) 781-5006

[www.bourns.com](http://www.bourns.com)

# Selector Guide

| Current (mA) | Inductance (µH) | Resistance (ohms) | Coil Type | Part Number     | Current (mA) | Inductance (µH) | Resistance (ohms) | Coil Type | Part Number     |
|--------------|-----------------|-------------------|-----------|-----------------|--------------|-----------------|-------------------|-----------|-----------------|
| 210          | 1500            | 7.15              | R         | RL855-152K      | 240          | 600             | 2.4               | SMT       | PM3602-150      |
| 210          | 1800            | 3.21              | R         | RL895-182K      | 240          | 820             | 2.55              | SMP       | PM105-821K      |
| 210          | 3300            | 4.71              | CM        | 3000-332        | 240          | 820             | 3.55              | SMPS      | PM745H-821M     |
| 213          | 25              | 2.64              | V         | 70F255AI        | 240          | 1200            | 4.04              | R         | RL875-122K      |
| 213          | 27              | 2.64              | V         | 70F275AI        | 240          | 1800            | 2.3               | R         | RL824-182K-RC   |
| 215          | 330             | 5.1               | CC        | 8250-331K       | 240          | 2200            | 2.8               | R         | RL824-222K-RC   |
| 218          | 1200            | 8.3               | SMP       | PM1355-122K     | 240          | 4700            | 13.6              | R         | 6000-472K       |
| 220          | 0.0022          | 0.3               | SMCH      | PM0402T-2N2-RC  | 240          | 6800            | 13.2              | R         | 6100-682K-RC    |
| 220          | 0.0027          | 0.4               | SMCH      | PM0402T-2N7-RC  | 245          | 1               | 1.1               | SMCH      | PM1008M-1R0K-RC |
| 220          | 1.5             | 1.3               | SMCH      | PM1008M-1R5K-RC | 245          | 6.8             | 2                 | CC        | 8230-40         |
| 220          | 2.7             | 1.3               | CC        | 79F2R7K-RC      | 245          | 6.8             | 2                 | M         | 9230-40         |
| 220          | 4.7             | 1.25              | SMCH      | PM205-4R7K      | 250          | 0.0068          | 0.32              | SMCH      | PM0402-6N8J     |
| 220          | 4.7             | 1.5               | SMCH      | PM1210G-4R7K-RC | 250          | 0.0082          | 0.37              | SMCH      | PM0402-8N2J     |
| 220          | 4.7             | 1.7               | SMCH      | PM1210-4R7J     | 250          | 0.01            | 0.42              | SMCH      | PM0402-10NJ     |
| 220          | 10              | 1.11              | SMCH      | PM1210H-100K    | 250          | 0.012           | 0.5               | SMCH      | PM0402-12NJ     |
| 220          | 10              | 1.62              | MS        | 9250-103        | 250          | 0.015           | 0.55              | SMCH      | PM0402-15NJ     |
| 220          | 10              | 1.62              | MS        | 9250A-103       | 250          | 0.022           | 2                 | SMCH      | PM0603T-22NG-RC |
| 220          | 68              | 2.6               | SMCH      | PM1812H-680K    | 250          | 0.027           | 2                 | SMCH      | PM0603T-27NG-RC |
| 220          | 82              | 1.5               | SMP       | PM52-820M       | 250          | 0.033           | 2                 | SMCH      | PM0603T-33NG-RC |
| 220          | 82              | 1.56              | SMPS      | PM425-820       | 250          | 0.1             | 0.3               | SMCH      | PM0805G-R10J    |
| 220          | 150             | 7.5               | SMCH      | PM1008S-151M    | 250          | 0.12            | 0.3               | SMCH      | PM0805G-R12J    |
| 220          | 180             | 1.54              | SMPS      | PM4285-181      | 250          | 0.15            | 0.4               | SMCH      | PM0805G-R15J    |
| 220          | 220             | 0.77              | SMPS      | PM1608S-221M    | 250          | 0.18            | 0.4               | SMCH      | PM0805G-R18J    |
| 220          | 1500            | 4.7               | R         | RL875-152K      | 250          | 0.22            | 0.5               | SMCH      | PM0805G-R22J    |
| 220          | 5600            | 14.9              | R         | 6000-562K       | 250          | 0.27            | 0.5               | SMCH      | PM0805G-R27J    |
| 220          | 8200            | 16                | R         | 6100-822K-RC    | 250          | 0.33            | 0.55              | SMCH      | PM0805G-R33J    |
| 225          | 12              | 2                 | SMCH      | PM1812-120J     | 250          | 1.5             | 1                 | CC        | 79F1R5K-RC      |
| 225          | 12              | 2                 | SMCH      | PM1812G-120K-RC | 250          | 3.9             | 0.32              | CC        | 78F3R9J         |
| 225          | 390             | 4.2               | V         | 73F394AF        | 250          | 3.9             | 1                 | M         | 9130-34         |
| 229          | 18              | 2.28              | V         | 70F185AI        | 250          | 3.9             | 1.2               | SMCH      | PM205-3R9K      |
| 229          | 22              | 2.28              | V         | 70F225AI        | 250          | 3.9             | 1.3               | SMCH      | PM1210-3R9J     |
| 230          | 1.2             | 1.2               | SMCH      | PM1008M-1R2K-RC | 250          | 3.9             | 1.3               | SMCH      | PM1210G-3R9K-RC |
| 230          | 2.2             | 1.2               | CC        | 79F2R2K-RC      | 250          | 8.2             | 1.32              | MS        | 9250-822        |
| 230          | 4.7             | 0.35              | CC        | 78F4R7J         | 250          | 8.2             | 1.32              | MS        | 9250A-822       |
| 230          | 4.7             | 1.2               | M         | 9130-36         | 250          | 10              | 1.6               | SMCH      | PM1812-100J     |
| 230          | 270             | 2.53              | V         | 3500-271K       | 250          | 10              | 1.6               | SMCH      | PM1812G-100K-RC |
| 230          | 560             | 1.53              | R         | RL822-561K-RC   | 250          | 10              | 3                 | V         | 74F105AP        |
| 230          | 1000            | 2.72              | R         | RL8755-102K     | 250          | 15              | 1.92              | V         | 70F155AI        |
| 230          | 1200            | 6.03              | R         | RL855-122K      | 250          | 33              | 1                 | SMP       | PM32-330M       |
| 230          | 1500            | 2.8               | R         | RL895-152K      | 250          | 33              | 3                 | M         | 9310-52         |
| 230          | 2700            | 3.68              | CM        | 3000-272        | 250          | 39              | 1.2               | SMP       | PM32-390M       |
| 231          | 270             | 4.55              | CC        | 8250-271K       | 250          | 56              | 0.9               | SMP       | PM52-560M       |
| 240          | 0.18            | 1.25              | SMCH      | PM0603-R18J     | 250          | 68              | 1.2               | SMP       | PM52-680M       |
| 240          | 1.8             | 1.1               | CC        | 79F1R8K-RC      | 250          | 68              | 4                 | V         | 74F685AI        |
| 240          | 33              | 1.37              | MS        | 9250-333        | 250          | 100             | 2                 | V         | 73F104AF        |
| 240          | 33              | 1.37              | MS        | 9250A-333       | 250          | 120             | 2.2               | V         | 73F124AF        |
| 240          | 56              | 2.2               | SMCH      | PM1812H-560K    | 250          | 120             | 6.2               | SMCH      | PM1008S-121M    |
| 240          | 68              | 1.3               | SMPS      | PM425-680       | 250          | 150             | 2                 | SMP       | PM1608-151M     |
| 240          | 150             | 1.35              | SMPS      | PM4285-151      | 250          | 150             | 2.5               | V         | 73F154AF        |
| 240          | 220             | 2.19              | V         | 3500-221K       | 250          | 180             | 2.07              | V         | 3500-181K       |
| 240          | 470             | 2.46              | SMPS      | PM7032S-471M    | 250          | 180             | 2.9               | V         | 73F184AF        |
| 240          | 470             | 3.4               | CC        | 5300-33         | 250          | 220             | 3.2               | V         | 73F224AF        |

## Coil Type

CC - Conformal coated

R - Radial lead

SMT - Surface mount toroid

CM - Common mode

SMC - Surface mount common mode

T - Toroid

HD - Heavy duty

SMCH - Surface mount, chip

TB - Toroid mounted on base

M - Molded

SMP - Surface mount, power

V - Varnished

MS - Molded, shielded

SMPS - Surface mount, power, shielded

VHD - Varnished heavy duty

**BOURNS®**

Tel. (877) 426-8767 • Fax (951) 781-5006

[www.bourns.com](http://www.bourns.com)

# Selector Guide

| Current (mA) | Inductance (µH) | Resistance (ohms) | Coil Type | Part Number     | Current (mA) | Inductance (µH) | Resistance (ohms) | Coil Type | Part Number     |
|--------------|-----------------|-------------------|-----------|-----------------|--------------|-----------------|-------------------|-----------|-----------------|
| 250          | 270             | 3.6               | V         | 73F274AF        | 270          | 1500            | 2.1               | R         | RL824-152K-RC   |
| 250          | 330             | 3.8               | V         | 73F334AF        | 270          | 3900            | 9.9               | R         | 6000-392K       |
| 250          | 470             | 1.37              | R         | RL822-471K-RC   | 270          | 5600            | 9.45              | R         | 6100-562K-RC    |
| 250          | 560             | 2.92              | SMPS      | PM735H-561M     | 270          | 22,000          | 4                 | CM        | 7356            |
| 250          | 680             | 1.61              | HD        | 5800-681        | 275          | 8.2             | 1.9               | V         | 74F826AP        |
| 250          | 1000            | 5.28              | R         | RL855-102K      | 275          | 100             | 1.8               | CC        | 77F101J         |
| 250          | 2200            | 3.12              | CM        | 3000-222        | 277          | 10              | 1.56              | V         | 70F105AI        |
| 250          | 6800            | 5.69              | HD        | 5900-682        | 277          | 180             | 3.08              | CC        | 8250-181K       |
| 250          | 8200            | 6.32              | HD        | 5900-822        | 280          | 0.0015          | 0.2               | SMCH      | PM0402T-1N5-RC  |
| 250          | 10,000          | 7.3               | HD        | 5900-103        | 280          | 0.0018          | 0.2               | SMCH      | PM0402T-1N8-RC  |
| 251          | 220             | 3.48              | CC        | 8250-221K       | 280          | 0.1             | 0.8               | SMCH      | PM1008M-R10M-RC |
| 255          | 30              | 2.8               | M         | 9310-50         | 280          | 0.15            | 0.92              | SMCH      | PM0603-R15J     |
| 260          | 0.33            | 1.2               | SMCH      | PM0805-R33K     | 280          | 0.27            | 1.1               | SMCH      | PM0805-R27K     |
| 260          | 0.82            | 1                 | SMCH      | PM1008M-R82M-RC | 280          | 3.9             | 2.3               | M         | 9310-26         |
| 260          | 1.2             | 0.9               | CC        | 79F1R2K-RC      | 280          | 6.8             | 0.65              | SMCH      | PM1210H-6R8M    |
| 260          | 3.3             | 1.2               | SMCH      | PM1210-3R3J     | 280          | 6.8             | 1.02              | MS        | 9250-682        |
| 260          | 3.3             | 1.2               | SMCH      | PM1210G-3R3K-RC | 280          | 6.8             | 1.02              | MS        | 9250A-682       |
| 260          | 3.9             | 3.6               | SMCH      | PM1008-3R9K     | 280          | 18              | 2.25              | M         | 9310-42         |
| 260          | 4.7             | 2.6               | M         | 9310-28         | 280          | 39              | 1.6               | SMCH      | PM1812H-390K    |
| 260          | 4.7             | 4                 | SMCH      | PM1008-4R7K     | 280          | 47              | 0.922             | SMPS      | PM425-470       |
| 260          | 5.6             | 1.8               | CC        | 8230-38         | 280          | 82              | 4.2               | SMCH      | PM1008S-820M    |
| 260          | 5.6             | 1.8               | M         | 9230-38         | 280          | 330             | 1.5               | SMP       | PM73-331K       |
| 260          | 27              | 1.19              | MS        | 9250-273        | 280          | 390             | 1.2               | R         | RL822-391K-RC   |
| 260          | 27              | 1.19              | MS        | 9250A-273       | 280          | 680             | 2.07              | R         | RL875S-681K     |
| 260          | 27              | 2.6               | M         | 9310-48         | 280          | 680             | 2.25              | SMP       | PM105-681K      |
| 260          | 47              | 1.9               | SMCH      | PM1812H-470K    | 280          | 1200            | 1.8               | R         | RL824-122K-RC   |
| 260          | 56              | 1.08              | SMPS      | PM425-560       | 280          | 1500            | 2.47              | CM        | 3000-152        |
| 260          | 100             | 5.8               | SMCH      | PM1008S-101M    | 285          | 6.8             | 1.2               | SMCH      | PM1812-6R8J     |
| 260          | 150             | 0.59              | SMPS      | PM1608S-151M    | 285          | 6.8             | 1.2               | SMCH      | PM1812G-6R8K-RC |
| 260          | 150             | 1.96              | V         | 3500-151K       | 288          | 9.1             | 1.44              | V         | 70F916AI        |
| 260          | 330             | 2                 | SMPS      | PM7032S-331M    | 288          | 820             | 4.7               | SMP       | PM1355-821K     |
| 260          | 390             | 2.58              | SMPS      | PM735H-391M     | 290          | 0.82            | 0.74              | CC        | 79FR82M-RC      |
| 260          | 390             | 3                 | CC        | 5300-32         | 290          | 2.2             | 2.8               | SMCH      | PM1008-2R2K     |
| 260          | 470             | 2.75              | SMPS      | PM735H-471M     | 290          | 2.7             | 1                 | SMCH      | PM20S-2R7K      |
| 260          | 820             | 2.33              | R         | RL875S-821K     | 290          | 2.7             | 1.1               | SMCH      | PM1210-2R7J     |
| 260          | 1200            | 2.92              | SMT       | PM3604-300      | 290          | 2.7             | 1.1               | SMCH      | PM1210G-2R7K-RC |
| 260          | 1800            | 2.8               | CM        | 3000-182        | 290          | 2.7             | 3.2               | SMCH      | PM1008-2R7K     |
| 265          | 22              | 2.5               | M         | 9310-44         | 290          | 3.3             | 3.4               | SMCH      | PM1008-3R3K     |
| 265          | 24              | 2.5               | M         | 9310-46         | 290          | 22              | 0.96              | MS        | 9250-223        |
| 267          | 12              | 1.68              | V         | 70F125AI        | 290          | 22              | 0.96              | MS        | 9250A-223       |
| 269          | 1000            | 5.4               | SMP       | PM1355-102K     | 290          | 82              | 1.62              | CC        | 77F820J         |
| 270          | 1               | 0.8               | CC        | 79F1R0K-RC      | 290          | 100             | 1.02              | SMPS      | PM428S-101      |
| 270          | 3.3             | 0.34              | CC        | 78F3R3J         | 290          | 100             | 1.5               | V         | 3500-101K       |
| 270          | 3.3             | 0.85              | M         | 9130-32         | 290          | 270             | 1.31              | SMP       | PM73-271K       |
| 270          | 3.3             | 1.1               | SMCH      | PM20S-3R3K      | 290          | 330             | 2.4               | CC        | 5300-31         |
| 270          | 8.2             | 1.4               | SMCH      | PM1812-8R2J     | 290          | 400             | 1.6               | SMT       | PM3602-100      |
| 270          | 8.2             | 1.4               | SMCH      | PM1812G-8R2K-RC | 290          | 1000            | 2.9               | R         | RL622-102K-RC   |
| 270          | 120             | 1.27              | SMPS      | PM428S-121      | 290          | 3300            | 9.1               | R         | 6000-332K       |
| 270          | 120             | 1.73              | V         | 3500-121K       | 290          | 4700            | 8.23              | R         | 6100-472K-RC    |
| 270          | 680             | 2.9               | SMPS      | PM745H-681M     | 294          | 150             | 2.79              | CC        | 8250-151K       |
| 270          | 1000            | 2.94              | R         | RL875-102K      | 300          | 0.001           | 0.12              | SMCH      | PM0402-1N0      |
| 270          | 1200            | 2.1               | R         | RL895-122K      | 300          | 0.0012          | 0.12              | SMCH      | PM0402-1N2      |

## Coil Type

|                            |                                 |                             |                            |                                       |
|----------------------------|---------------------------------|-----------------------------|----------------------------|---------------------------------------|
| CC - Conformal coated      | CM - Common mode                | HD - Heavy duty             | M - Molded                 | MS - Molded, shielded                 |
| R - Radial lead            | SMC - Surface mount common mode | SMCH - Surface mount, chip  | SMP - Surface mount, power | SMPS - Surface mount, power, shielded |
| SMT - Surface mount toroid | T - Toroid                      | TB - Toroid mounted on base | V - Varnished              | VHD - Varnished heavy duty            |



Tel. (877) 426-8767 • Fax (951) 781-5006

[www.bourns.com](http://www.bourns.com)

# Selector Guide

| Current (mA) | Inductance (µH) | Resistance (ohms) | Coil Type | Part Number     | Current (mA) | Inductance (µH) | Resistance (ohms) | Coil Type | Part Number      |
|--------------|-----------------|-------------------|-----------|-----------------|--------------|-----------------|-------------------|-----------|------------------|
| 300          | 0.0015          | 0.1               | SMCH      | PM0603H-1N5     | 300          | 0.027           | 0.55              | SMCH      | PM0805H-27NJ     |
| 300          | 0.0015          | 0.1               | SMCH      | PM0805H-1N5     | 300          | 0.033           | 0.55              | SMCH      | PM0603H-33NJ     |
| 300          | 0.0015          | 0.13              | SMCH      | PM0402-1N5      | 300          | 0.033           | 0.6               | SMCH      | PM0805H-33NJ     |
| 300          | 0.0018          | 0.1               | SMCH      | PM0603H-1N8     | 300          | 0.039           | 0.6               | SMCH      | PM0603H-39NJ     |
| 300          | 0.0018          | 0.1               | SMCH      | PM0805H-1N8     | 300          | 0.039           | 0.65              | SMCH      | PM0805H-39NJ     |
| 300          | 0.0018          | 0.14              | SMCH      | PM0402-1N8      | 300          | 0.047           | 0.2               | SMCH      | PM0805G-R047J    |
| 300          | 0.0018          | 0.2               | SMCH      | PM0603T-1N8-RC  | 300          | 0.047           | 0.7               | SMCH      | PM0603H-47NJ     |
| 300          | 0.0022          | 0.1               | SMCH      | PM0603H-2N2     | 300          | 0.047           | 0.7               | SMCH      | PM0805H-47NJ     |
| 300          | 0.0022          | 0.1               | SMCH      | PM0805H-2N2     | 300          | 0.056           | 0.75              | SMCH      | PM0603H-56NJ     |
| 300          | 0.0022          | 0.16              | SMCH      | PM0402-2N2      | 300          | 0.056           | 0.75              | SMCH      | PM0805H-56NJ     |
| 300          | 0.0022          | 0.2               | SMCH      | PM0603T-2N2-RC  | 300          | 0.068           | 0.2               | SMCH      | PM0805G-R068J    |
| 300          | 0.0027          | 0.1               | SMCH      | PM0603H-2N7     | 300          | 0.068           | 0.8               | SMCH      | PM0805H-68NJ     |
| 300          | 0.0027          | 0.1               | SMCH      | PM0805H-2N7     | 300          | 0.068           | 0.85              | SMCH      | PM0603H-68NJ     |
| 300          | 0.0027          | 0.17              | SMCH      | PM0402-2N7      | 300          | 0.082           | 0.2               | SMCH      | PM0805G-R082J    |
| 300          | 0.0027          | 0.2               | SMCH      | PM0603T-2N7-RC  | 300          | 0.082           | 0.75              | SMCH      | PM1008M-R082M-RC |
| 300          | 0.0033          | 0.12              | SMCH      | PM0603H-3N3     | 300          | 0.082           | 0.9               | SMCH      | PM0805H-82NJ     |
| 300          | 0.0033          | 0.13              | SMCH      | PM0805H-3N3     | 300          | 0.082           | 0.95              | SMCH      | PM0603H-82NJ     |
| 300          | 0.0033          | 0.19              | SMCH      | PM0402-3N3      | 300          | 0.1             | 0.9               | SMCH      | PM0805H-100NJ    |
| 300          | 0.0033          | 0.2               | SMCH      | PM0603T-3N3-RC  | 300          | 0.1             | 1                 | SMCH      | PM0603H-100NJ    |
| 300          | 0.0039          | 0.14              | SMCH      | PM0603H-3N9     | 300          | 0.12            | 0.65              | SMCH      | PM0603-R12J      |
| 300          | 0.0039          | 0.15              | SMCH      | PM0805H-3N9     | 300          | 0.12            | 0.95              | SMCH      | PM0805H-120NJ    |
| 300          | 0.0039          | 0.2               | SMCH      | PM0603T-3N9-RC  | 300          | 0.15            | 1                 | SMCH      | PM0805H-150NJ    |
| 300          | 0.0039          | 0.22              | SMCH      | PM0402-3N9      | 300          | 0.18            | 1.1               | SMCH      | PM0805H-180NJ    |
| 300          | 0.0047          | 0.16              | SMCH      | PM0603H-4N7     | 300          | 0.22            | 1.2               | SMCH      | PM0805H-220NJ    |
| 300          | 0.0047          | 0.2               | SMCH      | PM0603T-4N7-RC  | 300          | 0.27            | 0.95              | SMCH      | PM0805H-270NJ    |
| 300          | 0.0047          | 0.2               | SMCH      | PM0805H-4N7     | 300          | 0.33            | 1                 | SMCH      | PM0805H-330NJ    |
| 300          | 0.0047          | 0.24              | SMCH      | PM0402-4N7      | 300          | 0.39            | 1.1               | SMCH      | PM0805H-390NJ    |
| 300          | 0.0056          | 0.18              | SMCH      | PM0603H-5N6     | 300          | 0.47            | 1.2               | SMCH      | PM0805H-470NJ    |
| 300          | 0.0056          | 0.23              | SMCH      | PM0805H-5N6     | 300          | 0.68            | 0.85              | SMCH      | PM1008M-R68M-RC  |
| 300          | 0.0056          | 0.27              | SMCH      | PM0402-5N6      | 300          | 1.8             | 2.6               | SMCH      | PM1008-1R8K      |
| 300          | 0.0056          | 0.5               | SMCH      | PM0603T-5N6-RC  | 300          | 3.3             | 2                 | M         | 9310-24          |
| 300          | 0.0068          | 0.22              | SMCH      | PM0603H-6N8J    | 300          | 5.6             | 1.1               | SMCH      | PM1812-5R6J      |
| 300          | 0.0068          | 0.25              | SMCH      | PM0805H-6N8J    | 300          | 5.6             | 1.1               | SMCH      | PM1812G-5R6K-RC  |
| 300          | 0.0068          | 0.5               | SMCH      | PM0603T-6N8-RC  | 300          | 6.8             | 1.85              | V         | 74F686AP         |
| 300          | 0.0082          | 0.24              | SMCH      | PM0603H-8N2J    | 300          | 15              | 0.5               | SMP       | PM32-150M        |
| 300          | 0.0082          | 0.28              | SMCH      | PM0805H-8N2J    | 300          | 18              | 0.55              | SMP       | PM32-180M        |
| 300          | 0.0082          | 0.5               | SMCH      | PM0603T-8N2-RC  | 300          | 18              | 0.89              | MS        | 9250-183         |
| 300          | 0.01            | 0.26              | SMCH      | PM0603H-10NJ    | 300          | 18              | 0.89              | MS        | 9250A-183        |
| 300          | 0.01            | 0.3               | SMCH      | PM0805H-10NJ    | 300          | 22              | 0.6               | SMP       | PM32-220M        |
| 300          | 0.01            | 1                 | SMCH      | PM0603T-10NG-RC | 300          | 27              | 0.7               | SMP       | PM32-270M        |
| 300          | 0.012           | 0.28              | SMCH      | PM0603H-12NJ    | 300          | 33              | 1.4               | SMCH      | PM1812H-330K     |
| 300          | 0.012           | 0.35              | SMCH      | PM0805H-12NJ    | 300          | 39              | 0.709             | SMPS      | PM425-390        |
| 300          | 0.012           | 1                 | SMCH      | PM0603T-12NG-RC | 300          | 47              | 0.8               | SMP       | PM52-470M        |
| 300          | 0.015           | 0.32              | SMCH      | PM0603H-15NJ    | 300          | 56              | 3.75              | V         | 74F565AI         |
| 300          | 0.015           | 0.4               | SMCH      | PM0805H-15NJ    | 300          | 68              | 3.8               | SMCH      | PM1008S-680M     |
| 300          | 0.015           | 1                 | SMCH      | PM0603T-15NG-RC | 300          | 100             | 0.48              | SMPS      | PM1608S-101M     |
| 300          | 0.018           | 0.35              | SMCH      | PM0603H-18NJ    | 300          | 100             | 1.27              | SMP       | PM1608-101M      |
| 300          | 0.018           | 0.45              | SMCH      | PM0805H-18NJ    | 300          | 330             | 2.7               | SMP       | PM3308-331M      |
| 300          | 0.018           | 2                 | SMCH      | PM0603T-18NG-RC | 300          | 470             | 0.95              | SMP       | PM3340-471M      |
| 300          | 0.022           | 0.4               | SMCH      | PM0603H-22NJ    | 300          | 820             | 2.56              | R         | RL875-821K       |
| 300          | 0.022           | 0.5               | SMCH      | PM0805H-22NJ    | 300          | 1000            | 1.84              | R         | RL895-102K       |
| 300          | 0.027           | 0.45              | SMCH      | PM0603H-27NJ    | 300          | 1000            | 2.12              | SMT       | PM3604-250       |

## Coil Type

CC - Conformal coated

R - Radial lead

SMT - Surface mount toroid

CM - Common mode

SMC - Surface mount common mode

T - Toroid

HD - Heavy duty

SMCH - Surface mount, chip

TB - Toroid mounted on base

M - Molded

SMP - Surface mount, power

V - Varnished

MS - Molded, shielded

SMPS - Surface mount, power, shielded

VHD - Varnished heavy duty

**BOURNS®**

Tel. (877) 426-8767 • Fax (951) 781-5006

[www.bourns.com](http://www.bourns.com)

# Selector Guide

| Current (mA) | Inductance (µH) | Resistance (ohms) | Coil Type | Part Number      | Current (mA) | Inductance (µH) | Resistance (ohms) | Coil Type | Part Number      |
|--------------|-----------------|-------------------|-----------|------------------|--------------|-----------------|-------------------|-----------|------------------|
| 300          | 1000            | 3                 | SMP       | PM3316-103M      | 330          | 220             | 1.26              | SMPS      | PM7032S-221M     |
| 305          | 68              | 1.47              | CC        | 77F680J          | 330          | 250             | 1.19              | SMT       | PM3602-250       |
| 308          | 680             | 4.1               | SMP       | PM1355-681K      | 330          | 270             | 1.3               | SMPS      | PM745B-271K      |
| 310          | 0.68            | 0.67              | CC        | 79FR68M-RC       | 330          | 330             | 0.9               | R         | RL822-331K-RC    |
| 310          | 27.4            | 0.324             | SMP       | PM600-03         | 330          | 470             | 1.5               | SMPS      | PM1055B-471K     |
| 310          | 220             | 1.2               | SMP       | PM73-221K        | 330          | 470             | 1.85              | SMPS      | PM745H-471M      |
| 310          | 270             | 2.1               | CC        | 5300-30          | 330          | 560             | 1.9               | SMP       | PM105-561K       |
| 310          | 330             | 1.84              | SMPS      | PM735H-331M      | 330          | 680             | 1.96              | R         | RL875-681K       |
| 310          | 560             | 1.61              | R         | RL875S-561K      | 330          | 800             | 1.88              | SMT       | PM3604-200       |
| 310          | 560             | 2.17              | SMPS      | PM745H-561M      | 335          | 5.6             | 0.72              | MS        | 9250-562         |
| 310          | 820             | 3.82              | R         | RL855-821K       | 335          | 5.6             | 0.72              | MS        | 9250A-562        |
| 310          | 1000            | 1.6               | R         | RL824-102K-RC    | 340          | 0.056           | 0.65              | SMCH      | PM1008M-R056M-RC |
| 311          | 120             | 2.45              | CC        | 8250-121K        | 340          | 1.2             | 2                 | SMCH      | PM1008-1R2K      |
| 315          | 4.7             | 1                 | SMCH      | PM1812-4R7J      | 340          | 47              | 1.22              | CC        | 77F470J          |
| 315          | 4.7             | 1                 | SMCH      | PM1812G-4R7K-RC  | 340          | 470             | 1.44              | R         | RL875S-471K      |
| 315          | 15              | 0.8               | MS        | 9250-153         | 340          | 470             | 1.96              | SMP       | PM75-471K        |
| 315          | 15              | 0.8               | MS        | 9250A-153        | 349          | 82              | 1.96              | CC        | 8250-820K        |
| 315          | 470             | 1.15              | HD        | 5800-471         | 350          | 0.39            | 0.51              | CC        | 79FR39M-RC       |
| 315          | 560             | 1.27              | HD        | 5800-561         | 350          | 0.47            | 0.68              | SMCH      | PM1008M-R47M-RC  |
| 315          | 5600            | 3.92              | HD        | 5900-562         | 350          | 1               | 1                 | CC        | 8230-20          |
| 320          | 0.036           | 0.403             | SMCH      | PM0402C-36NJ     | 350          | 1               | 1                 | M         | 9230-20          |
| 320          | 0.04            | 0.438             | SMCH      | PM0402C-40NJ     | 350          | 1.8             | 0.85              | SMCH      | PM205-1R8K       |
| 320          | 0.068           | 0.7               | SMCH      | PM1008M-R068M-RC | 350          | 1.8             | 0.9               | SMCH      | PM1210-1R8J      |
| 320          | 0.56            | 0.61              | CC        | 79FR56M-RC       | 350          | 1.8             | 0.9               | SMCH      | PM1210G-1R8K-RC  |
| 320          | 2.2             | 0.9               | SMCH      | PM205-2R2K       | 350          | 3.9             | 1                 | CC        | 8230-34          |
| 320          | 2.2             | 1                 | SMCH      | PM1210-2R2J      | 350          | 3.9             | 1                 | M         | 9230-34          |
| 320          | 2.2             | 1                 | SMCH      | PM1210G-2R2K-RC  | 350          | 5.6             | 1.8               | V         | 74F566AP         |
| 320          | 4.7             | 0.52              | SMCH      | PM1210H-4R7M     | 350          | 10              | 0.35              | SMP       | PM32-100M        |
| 320          | 4.7             | 1.2               | CC        | 8230-36          | 350          | 12              | 0.4               | SMP       | PM32-120M        |
| 320          | 4.7             | 1.2               | M         | 9230-36          | 350          | 27              | 0.441             | SMPS      | PM425-270        |
| 320          | 33              | 0.394             | SMPS      | PM425-330        | 350          | 39              | 0.7               | SMP       | PM52-390M        |
| 320          | 56              | 1.34              | CC        | 77F560J          | 350          | 39              | 1.12              | CC        | 77F390J          |
| 320          | 82              | 0.915             | SMPS      | PM428S-820       | 350          | 47              | 3.5               | V         | 74F475AI         |
| 320          | 220             | 1.9               | CC        | 5300-29          | 350          | 68              | 0.699             | SMPS      | PM428S-680       |
| 320          | 270             | 1.81              | SMPS      | PM735H-271M      | 350          | 220             | 1.5               | SMPS      | PM735H-221M      |
| 320          | 300             | 1.31              | SMT       | PM3602-300       | 350          | 220             | 1.57              | SMP       | PM54-221K        |
| 320          | 560             | 1.904             | SMP       | PM104-561K       | 350          | 270             | 0.8               | R         | RL822-271K-RC    |
| 320          | 680             | 3.25              | R         | RL855-681K       | 350          | 390             | 1.34              | SMPS      | PM1055B-391K     |
| 320          | 820             | 1.57              | R         | RL895-821K       | 350          | 470             | 1.526             | SMP       | PM104-471K       |
| 320          | 1200            | 1.89              | CM        | 3000-122         | 350          | 560             | 2.83              | R         | RL855-561K       |
| 320          | 2700            | 8.2               | R         | 6000-272K        | 350          | 680             | 1.18              | R         | RL895-681K       |
| 320          | 3900            | 6.62              | R         | 6100-392K-RC     | 350          | 820             | 1.8               | R         | RL622-821K-RC    |
| 322          | 100             | 2.28              | CC        | 8250-101K        | 350          | 3300            | 5.63              | R         | 6100-332K-RC     |
| 325          | 0.56            | 0.75              | SMCH      | PM1008M-R56M-RC  | 350          | 10,000          | 2.2               | CM        | 7355             |
| 325          | 15              | 2.3               | CC        | 8250-150K        | 355          | 2.7             | 0.3               | CC        | 78F2R7K          |
| 328          | 68              | 2.2               | CC        | 8250-680K        | 355          | 2.7             | 0.55              | M         | 9130-30          |
| 330          | 0.47            | 0.56              | CC        | 79FR47M-RC       | 355          | 3.3             | 0.8               | SMCH      | PM1812-3R3J      |
| 330          | 1.5             | 2.3               | SMCH      | PM1008-1R5K      | 355          | 3.3             | 0.8               | SMCH      | PM1812G-3R3K-RC  |
| 330          | 3.9             | 0.9               | SMCH      | PM1812-3R9J      | 360          | 0.047           | 0.56              | SMCH      | PM1008M-R047M-RC |
| 330          | 3.9             | 0.9               | SMCH      | PM1812G-3R9K-RC  | 360          | 23.3            | 0.094             | SMP       | PM620-05         |
| 330          | 27              | 1.2               | SMCH      | PM1812H-270K     | 360          | 100             | 1.2               | SMPS      | PM518S-101       |
| 330          | 82              | 1.2               | V         | 3500-820K        | 360          | 180             | 1.02              | SMP       | PM73-181K        |

## Coil Type

CC - Conformal coated

R - Radial lead

SMT - Surface mount toroid

CM - Common mode

SMC - Surface mount common mode

T - Toroid

HD - Heavy duty

SMCH - Surface mount, chip

TB - Toroid mounted on base

M - Molded

SMP - Surface mount, power

V - Varnished

MS - Molded, shielded

SMPS - Surface mount, power, shielded

VHD - Varnished heavy duty

**BOURNS®**

Tel. (877) 426-8767 • Fax (951) 781-5006

[www.bourns.com](http://www.bourns.com)

# Selector Guide

| Current (mA) | Inductance (µH) | Resistance (ohms) | Coil Type | Part Number      | Current (mA) | Inductance (µH) | Resistance (ohms) | Coil Type | Part Number      |
|--------------|-----------------|-------------------|-----------|------------------|--------------|-----------------|-------------------|-----------|------------------|
| 360          | 220             | 1.18              | SMPS      | PM745B-221K      | 390          | 1.2             | 0.65              | SMCH      | PM205-1R2K       |
| 360          | 272             | 1.04              | SMT       | PM3602-68        | 390          | 1.2             | 0.75              | SMCH      | PM1210-1R2J      |
| 360          | 390             | 1.63              | SMPS      | PM745H-391M      | 390          | 1.2             | 0.75              | SMCH      | PM1210G-1R2K-RC  |
| 360          | 390             | 1.77              | SMP       | PM75-391K        | 390          | 1.8             | 0.65              | SMCH      | PM1812-1R8J      |
| 360          | 560             | 1.72              | R         | RL875-561K       | 390          | 1.8             | 0.65              | SMCH      | PM1812G-1R8K-RC  |
| 360          | 820             | 2                 | SMPS      | PM1255-821M      | 390          | 27              | 0.94              | CC        | 77F270K          |
| 360          | 2200            | 5.9               | R         | 6000-222K        | 390          | 330             | 1.32              | SMPS      | PM745H-331M      |
| 368          | 12              | 1.76              | CC        | 8250-120K        | 390          | 600             | 1.28              | SMT       | PM3604-150       |
| 370          | 0.33            | 0.48              | CC        | 79FR33M-RC       | 390          | 1000            | 1.5               | R         | RL1105-102K      |
| 370          | 0.82            | 0.59              | MS        | 9250-821         | 390          | 1800            | 5.3               | R         | 6000-182K        |
| 370          | 0.82            | 0.59              | MS        | 9250A-821        | 395          | 2.2             | 0.28              | CC        | 78F2R2K          |
| 370          | 1               | 1.75              | SMCH      | PM1008-1R0K      | 395          | 2.2             | 0.4               | M         | 9130-28          |
| 370          | 1.5             | 0.75              | SMCH      | PM205-1R5K       | 400          | 0.001           | 0.1               | SMCH      | PM0402T-1N0-RC   |
| 370          | 1.5             | 0.85              | SMCH      | PM1210-1R5J      | 400          | 0.023           | 0.214             | SMCH      | PM0402C-23NJ     |
| 370          | 1.5             | 0.85              | SMCH      | PM1210G-1R5K-RC  | 400          | 0.027           | 0.298             | SMCH      | PM0402C-27NJ     |
| 370          | 2.7             | 0.75              | SMCH      | PM1812-2R7J      | 400          | 0.033           | 0.46              | SMCH      | PM1008M-R033M-RC |
| 370          | 2.7             | 0.75              | SMCH      | PM1812G-2R7K-RC  | 400          | 0.072           | 0.49              | SMCH      | PM0603-72NJ      |
| 370          | 15              | 1.4               | M         | 9310-40          | 400          | 0.082           | 0.42              | SMCH      | PM0805-82NK      |
| 370          | 22              | 0.9               | SMCH      | PM1812H-220K     | 400          | 0.082           | 0.54              | SMCH      | PM0603-82NJ      |
| 370          | 33              | 1.03              | CC        | 77F330J          | 400          | 0.1             | 0.46              | SMCH      | PM0805-R10K      |
| 370          | 68              | 1.117             | SMP       | PM43-680K        | 400          | 0.1             | 0.58              | SMCH      | PM0603-R10J      |
| 370          | 330             | 1.2               | SMPS      | PM1055B-331K     | 400          | 0.12            | 0.51              | SMCH      | PM0805-R12K      |
| 370          | 390             | 1.28              | R         | RL8755-391K      | 400          | 0.15            | 0.56              | SMCH      | PM0805-R15K      |
| 373          | 560             | 2.8               | SMP       | PM1355-561K      | 400          | 0.18            | 0.64              | SMCH      | PM0805-R18K      |
| 375          | 0.39            | 0.65              | SMCH      | PM1008M-R39M-RC  | 400          | 0.22            | 0.4               | CC        | 79FR22M-RC       |
| 380          | 0.039           | 0.5               | SMCH      | PM1008M-R039M-RC | 400          | 0.22            | 0.7               | SMCH      | PM0805-R22K      |
| 380          | 0.27            | 0.43              | CC        | 79FR27M-RC       | 400          | 0.33            | 0.6               | SMCH      | PM1008M-R33M-RC  |
| 380          | 0.82            | 0.85              | CC        | 8230-18          | 400          | 0.56            | 1.33              | SMCH      | PM1008-R56K      |
| 380          | 0.82            | 0.85              | M         | 9230-18          | 400          | 0.68            | 1.47              | SMCH      | PM1008-R68K      |
| 380          | 2.2             | 0.7               | SMCH      | PM1812-2R2J      | 400          | 0.82            | 1.61              | SMCH      | PM1008-R82K      |
| 380          | 2.2             | 0.7               | SMCH      | PM1812G-2R2K-RC  | 400          | 1               | 0.6               | SMCH      | PM205-1R0K       |
| 380          | 3.3             | 0.85              | CC        | 8230-32          | 400          | 1               | 0.7               | SMCH      | PM1210-1R0J      |
| 380          | 3.3             | 0.85              | M         | 9230-32          | 400          | 1               | 0.7               | SMCH      | PM1210G-1R0K-RC  |
| 380          | 4.7             | 0.55              | MS        | 9250-472         | 400          | 3.3             | 0.33              | SMCH      | PM1210H-3R3M     |
| 380          | 4.7             | 0.55              | MS        | 9250A-472        | 400          | 4.7             | 1                 | V         | 74F476AP         |
| 380          | 56              | 1.64              | CC        | 8250-560K        | 400          | 6.8             | 0.25              | SMP       | PM32-6R8M        |
| 380          | 68              | 0.888             | V         | 3500-680K        | 400          | 8.2             | 0.3               | SMP       | PM32-8R2M        |
| 380          | 180             | 1.25              | SMPS      | PM735H-181M      | 400          | 18              | 0.8               | SMCH      | PM1812H-180K     |
| 380          | 180             | 1.38              | SMP       | PM54-181K        | 400          | 33              | 0.6               | SMP       | PM52-330M        |
| 380          | 180             | 1.4               | CC        | 5300-28          | 400          | 39              | 2.6               | V         | 74F395AI         |
| 380          | 200             | 0.88              | SMT       | PM3602-50        | 400          | 47              | 1.48              | CC        | 8250-470K        |
| 380          | 220             | 0.68              | R         | RL822-221K-RC    | 400          | 47              | 2.5               | SMCH      | PM10085-470M     |
| 380          | 390             | 1.245             | SMP       | PM104-391K       | 400          | 68              | 0.29              | SMPS      | PM16085-680M     |
| 380          | 470             | 1.95              | R         | RL855-471K       | 400          | 68              | 0.86              | SMP       | PM1608-680M      |
| 380          | 470             | 2.7               | SMP       | PM1355-471K      | 400          | 100             | 3                 | V         | 4632             |
| 380          | 680             | 1.6               | R         | RL622-681K-RC    | 400          | 150             | 0.755             | SMP       | PM73-151K        |
| 380          | 1000            | 1.38              | CM        | 3000-102         | 400          | 150             | 1.1               | SMP       | PM54-151K        |
| 380          | 2700            | 5.41              | R         | 6100-272K-RC     | 400          | 180             | 0.6               | R         | RL822-181K-RC    |
| 385          | 1               | 0.15              | CC        | 78F1R0K          | 400          | 180             | 1                 | SMPS      | PM745B-181K      |
| 385          | 1               | 1                 | M         | 9130-20          | 400          | 200             | 0.84              | SMT       | PM3602-200       |
| 385          | 2.7             | 1.2               | M         | 9310-22          | 400          | 220             | 1.9               | SMP       | PM3308-221M      |
| 390          | 0.0012          | 0.1               | SMCH      | PM0402T-1N2-RC   | 400          | 270             | 0.557             | HD        | 5800-271         |

## Coil Type

CC - Conformal coated

R - Radial lead

SMT - Surface mount toroid

CM - Common mode

SMC - Surface mount common mode

T - Toroid

HD - Heavy duty

SMCH - Surface mount, chip

TB - Toroid mounted on base

M - Molded

SMP - Surface mount, power

V - Varnished

MS - Molded, shielded

SMPS - Surface mount, power, shielded

VHD - Varnished heavy duty

**BOURNS®**

Tel. (877) 426-8767 • Fax (951) 781-5006

[www.bourns.com](http://www.bourns.com)

# Selector Guide

| Current (mA) | Inductance (µH) | Resistance (ohms) | Coil Type | Part Number      | Current (mA) | Inductance (µH) | Resistance (ohms) | Coil Type | Part Number      |
|--------------|-----------------|-------------------|-----------|------------------|--------------|-----------------|-------------------|-----------|------------------|
| 400          | 330             | 0.665             | HD        | 5800-331         | 430          | 820             | 1.34              | SMPS      | PM125SH-821M     |
| 400          | 330             | 1.26              | SMP       | PM75-331K        | 430          | 1500            | 3.8               | R         | 6000-152K        |
| 400          | 390             | 0.772             | HD        | 5800-391         | 435          | 2.2             | 0.95              | M         | 9310-20          |
| 400          | 560             | 1.01              | R         | RL895-561K       | 436          | 390             | 2.05              | SMP       | PM1355-391K      |
| 400          | 680             | 1.78              | SMPS      | PM125S-681M      | 440          | 47              | 0.844             | SMP       | PM43-470K        |
| 400          | 680             | 2.02              | SMP       | PM3316-680M      | 440          | 56              | 0.687             | V         | 3500-560K        |
| 400          | 820             | 0.86              | R         | RL824-821K-RC    | 440          | 150             | 0.94              | SMPS      | PM745B-151K      |
| 400          | 1000            | 1.53              | SMPS      | PM125SH-102M     | 440          | 270             | 1.08              | SMPS      | PM745H-271M      |
| 400          | 2700            | 2.06              | HD        | 5900-272         | 440          | 330             | 1.47              | R         | RL855-331K       |
| 400          | 3300            | 2.53              | HD        | 5900-332         | 440          | 390             | 1017              | R         | RL875-391K       |
| 400          | 3900            | 2.75              | HD        | 5900-392         | 440          | 560             | 1.34              | SMPS      | PM125S-561M      |
| 400          | 4700            | 3.19              | HD        | 5900-472         | 440          | 680             | 0.79              | R         | RL824-681K-RC    |
| 400          | 8000            | 2                 | CM        | 7354             | 445          | 10              | 0.9               | M         | 9310-36          |
| 400          | 45,000          | 2.68              | CM        | 7418-RC          | 450          | 0.01            | 0.13              | SMCH      | PM1210-R010K     |
| 404          | 12              | 1.1               | M         | 9310-38          | 450          | 0.012           | 0.14              | SMCH      | PM1210-R012K     |
| 410          | 0.027           | 0.42              | SMCH      | PM1008M-R027M-RC | 450          | 0.015           | 0.16              | SMCH      | PM1210-R015K     |
| 410          | 1.5             | 0.6               | SMCH      | PM1812-1R5J      | 450          | 0.018           | 0.18              | SMCH      | PM1210-R018K     |
| 410          | 1.5             | 0.6               | SMCH      | PM1812G-1R5K-RC  | 450          | 0.018           | 0.34              | SMCH      | PM1008M-R018M-RC |
| 410          | 22              | 0.397             | SMPS      | PM425-220        | 450          | 0.022           | 0.2               | SMCH      | PM1210-R022K     |
| 410          | 22              | 0.84              | CC        | 77F220K          | 450          | 0.027           | 0.22              | SMCH      | PM1210-R027K     |
| 410          | 56              | 0.625             | SMPS      | PM4285-560       | 450          | 0.033           | 0.24              | SMCH      | PM1210-R033J     |
| 410          | 82              | 0.978             | SMPS      | PMS185-820       | 450          | 0.039           | 0.27              | SMCH      | PM1210-R039J     |
| 410          | 150             | 1.2               | CC        | 5300-27          | 450          | 0.047           | 0.3               | SMCH      | PM1210-R047J     |
| 410          | 270             | 0.87              | SMPS      | PM105SB-271K     | 450          | 0.056           | 0.33              | SMCH      | PM1210-R056J     |
| 410          | 330             | 0.97              | R         | RL875S-331K      | 450          | 0.068           | 0.36              | SMCH      | PM1210-R068J     |
| 410          | 390             | 1.67              | R         | RL855-391K       | 450          | 0.082           | 0.4               | SMCH      | PM1210-R082J     |
| 410          | 470             | 1.34              | R         | RL875-471K       | 450          | 0.1             | 0.44              | SMCH      | PM1210-R10J      |
| 410          | 560             | 1.4               | R         | RL622-561K-RC    | 450          | 0.1             | 0.5               | SMCH      | PM205-R10M       |
| 410          | 820             | 1.16              | CM        | 3000-821         | 450          | 0.12            | 0.22              | SMCH      | PM1210G-R12K-RC  |
| 415          | 0.82            | 0.12              | CC        | 78FR82K          | 450          | 0.12            | 0.22              | SMCH      | PM1210-R12J      |
| 415          | 0.82            | 0.85              | M         | 9130-18          | 450          | 0.15            | 0.25              | SMCH      | PM1210G-R15K-RC  |
| 420          | 0.022           | 0.38              | SMCH      | PM1008M-R022M-RC | 450          | 0.15            | 0.25              | SMCH      | PM1210-R15J      |
| 420          | 0.27            | 0.56              | SMCH      | PM1008M-R27M-RC  | 450          | 0.18            | 0.08              | CC        | 78FR18M          |
| 420          | 0.68            | 0.45              | MS        | 9250-681         | 450          | 0.18            | 0.28              | SMCH      | PM1210G-R18K-RC  |
| 420          | 0.68            | 0.45              | MS        | 9250A-681        | 450          | 0.18            | 0.28              | SMCH      | PM1210-R18J      |
| 420          | 56              | 0.937             | SMP       | PM43-560K        | 450          | 0.22            | 0.32              | SMCH      | PM1210G-R22K-RC  |
| 420          | 68              | 0.82              | SMPS      | PM635B-680L      | 450          | 0.22            | 0.32              | SMCH      | PM1210-R22J      |
| 420          | 100             | 0.52              | SMPS      | PMS285-101       | 450          | 0.27            | 0.36              | SMCH      | PM1210G-R27K-RC  |
| 420          | 150             | 0.54              | R         | RL822-151K-RC    | 450          | 0.27            | 0.36              | SMCH      | PM1210-R27J      |
| 420          | 270             | 1.11              | SMP       | PM75-271K        | 450          | 0.33            | 0.4               | SMCH      | PM1210G-R33K-RC  |
| 420          | 330             | 1.1               | SMP       | PM104-331K       | 450          | 0.33            | 0.4               | SMCH      | PM1210-R33J      |
| 420          | 470             | 1.48              | SMP       | PM105-471K       | 450          | 0.33            | 1.05              | SMCH      | PM1008-R33K      |
| 420          | 2200            | 4.26              | R         | 6100-222K-RC     | 450          | 0.39            | 0.45              | SMCH      | PM1210G-R39K-RC  |
| 429          | 39              | 1.28              | CC        | 8250-390K        | 450          | 0.39            | 0.45              | SMCH      | PM1210-R39J      |
| 430          | 0.22            | 0.52              | SMCH      | PM1008M-R22M-RC  | 450          | 0.47            | 0.5               | SMCH      | PM1210G-R47K-RC  |
| 430          | 1.2             | 0.55              | SMCH      | PM1812-1R2J      | 450          | 0.47            | 0.5               | SMCH      | PM1210-R47J      |
| 430          | 1.2             | 0.55              | SMCH      | PM1812G-1R2K-RC  | 450          | 0.56            | 0.55              | SMCH      | PM1210G-R56K-RC  |
| 430          | 18              | 0.77              | CC        | 77F180K          | 450          | 0.56            | 0.55              | SMCH      | PM1210-R56J      |
| 430          | 68              | 0.84              | SMPS      | PMS185-680       | 450          | 0.68            | 0.48              | SMCH      | PM205-R68M       |
| 430          | 150             | 0.78              | SMPS      | PM7032S-151M     | 450          | 0.68            | 0.6               | CC        | 8230-16          |
| 430          | 470             | 0.89              | R         | RL895-471K       | 450          | 0.68            | 0.6               | M         | 9230-16          |
| 430          | 820             | 1.3               | R         | RL1105-821K      | 450          | 0.68            | 0.6               | SMCH      | PM1210G-R68K-RC  |

## Coil Type

|                            |                                 |                             |                            |                                       |
|----------------------------|---------------------------------|-----------------------------|----------------------------|---------------------------------------|
| CC - Conformal coated      | CM - Common mode                | HD - Heavy duty             | M - Molded                 | MS - Molded, shielded                 |
| R - Radial lead            | SMC - Surface mount common mode | SMCH - Surface mount, chip  | SMP - Surface mount, power | SMPS - Surface mount, power, shielded |
| SMT - Surface mount toroid | T - Toroid                      | TB - Toroid mounted on base | V - Varnished              | VHD - Varnished heavy duty            |



Tel. (877) 426-8767 • Fax (951) 781-5006

[www.bourns.com](http://www.bourns.com)



# Selector Guide

| Current (mA) | Inductance (µH) | Resistance (ohms) | Coil Type | Part Number      | Current (mA) | Inductance (µH) | Resistance (ohms) | Coil Type | Part Number      |
|--------------|-----------------|-------------------|-----------|------------------|--------------|-----------------|-------------------|-----------|------------------|
| 450          | 0.68            | 0.6               | SMCH      | PM1210-R68J      | 480          | 3.3             | 0.35              | MS        | 9250A-332        |
| 450          | 0.82            | 0.5               | SMCH      | PM205-R82M       | 480          | 12              | 0.63              | CC        | 77F120K          |
| 450          | 0.82            | 0.65              | SMCH      | PM1210G-R82K-RC  | 480          | 18              | 0.338             | SMPS      | PM425-180        |
| 450          | 0.82            | 0.65              | SMCH      | PM1210-R82J      | 480          | 47              | 0.587             | SMPS      | PM4285-470       |
| 450          | 1               | 0.5               | SMCH      | PM1812-1R0J      | 480          | 120             | 0.93              | SMP       | PM54-121K        |
| 450          | 1               | 0.5               | SMCH      | PM1812G-1R0K-RC  | 480          | 390             | 0.69              | R         | RL895-391K       |
| 450          | 3.9             | 0.4               | MS        | 9250-392         | 480          | 390             | 1                 | R         | RL622-391K-RC    |
| 450          | 3.9             | 0.4               | MS        | 9250A-392        | 480          | 390             | 1.3               | SMP       | PM105-391K       |
| 450          | 5.6             | 0.23              | SMP       | PM32-5R6M        | 480          | 470             | 0.62              | R         | RL824-471K-RC    |
| 450          | 15              | 0.7               | SMCH      | PM1812H-150K     | 480          | 470             | 1.2               | SMPS      | PM1255-471M      |
| 450          | 27              | 0.55              | SMP       | PM52-270M        | 480          | 680             | 1.2               | SMPS      | PM1255H-681M     |
| 450          | 27              | 1.85              | V         | 74F275AI         | 480          | 1200            | 3.4               | R         | 6000-122K        |
| 450          | 33              | 2                 | V         | 74F335AI         | 485          | 0.056           | 0.28              | SMCH      | PM205-R056M      |
| 450          | 39              | 1.85              | SMCH      | PM10085-390M     | 489          | 270             | 1.63              | SMP       | PM1355-271K      |
| 450          | 82              | 1.9               | V         | 4631             | 490          | 0.56            | 0.33              | MS        | 9250-561         |
| 450          | 270             | 0.86              | R         | RL8755-271K      | 490          | 0.56            | 0.33              | MS        | 9250A-561        |
| 450          | 270             | 0.949             | SMP       | PM104-271K       | 490          | 120             | 0.536             | SMP       | PM73-121K        |
| 450          | 560             | 0.69              | R         | RL824-561K-RC    | 490          | 120             | 0.68              | SMPS      | PM745B-121K      |
| 455          | 0.56            | 0.45              | SMCH      | PM205-R56M       | 490          | 132             | 0.56              | SMT       | PM3602-33        |
| 455          | 1.8             | 0.25              | CC        | 78F1R8K          | 490          | 220             | 0.96              | SMP       | PM75-221K        |
| 455          | 1.8             | 0.3               | M         | 9130-26          | 490          | 270             | 1.28              | R         | RL855-271K       |
| 460          | 0.082           | 0.45              | SMCH      | PM205-R082M      | 490          | 400             | 0.84              | SMT       | PM3604-100       |
| 460          | 0.18            | 0.46              | SMCH      | PM1008M-R18M-RC  | 495          | 0.047           | 0.26              | SMCH      | PM205-R047M      |
| 460          | 0.47            | 0.44              | SMCH      | PM205-R47M       | 495          | 0.56            | 0.5               | CC        | 8230-14          |
| 460          | 15              | 0.72              | CC        | 77F150K          | 495          | 0.56            | 0.5               | M         | 9230-14          |
| 460          | 56              | 0.72              | SMPS      | PM635B-560L      | 495          | 0.68            | 0.12              | CC        | 78FR68K          |
| 460          | 82              | 0.463             | SMPS      | PM5285-820       | 495          | 0.68            | 0.6               | M         | 9130-16          |
| 460          | 220             | 0.96              | SMPS      | PM745H-221M      | 495          | 2.7             | 0.5               | CC        | 8230-30          |
| 460          | 330             | 1.05              | R         | RL875-331K       | 495          | 2.7             | 0.5               | M         | 9230-30          |
| 460          | 470             | 1.1               | R         | RL622-471K-RC    | 500          | 0.012           | 0.27              | SMCH      | PM1008M-R012M-RC |
| 463          | 330             | 1.82              | SMP       | PM1355-331K      | 500          | 0.022           | 0.22              | SMCH      | PM0805-22NM      |
| 465          | 0.39            | 0.4               | SMCH      | PM205-R39M       | 500          | 0.027           | 0.25              | SMCH      | PM0805-27NM      |
| 470          | 0.39            | 1.12              | SMCH      | PM1008-R39K      | 500          | 0.033           | 0.02              | CC        | 78FR033M         |
| 470          | 0.47            | 1.19              | SMCH      | PM1008-R47K      | 500          | 0.033           | 0.27              | SMCH      | PM0805-33NM      |
| 470          | 12.2            | 0.137             | SMP       | PM600-04         | 500          | 0.039           | 0.29              | SMCH      | PM0805-39NM      |
| 470          | 120             | 0.9               | CC        | 5300-26          | 500          | 0.047           | 0.31              | SMCH      | PM0805-47NM      |
| 470          | 150             | 0.6               | SMT       | PM3602-150       | 500          | 0.056           | 0.34              | SMCH      | PM0805-56NK      |
| 470          | 220             | 0.78              | SMPS      | PM1055B-221K     | 500          | 0.068           | 0.38              | SMCH      | PM0805-68NK      |
| 470          | 680             | 0.897             | CM        | 3000-681         | 500          | 0.1             | 0.06              | CC        | 78FR10M          |
| 470          | 680             | 1.2               | R         | RL1105-681K      | 500          | 0.12            | 0.06              | CC        | 78FR12M          |
| 470          | 1800            | 3.65              | R         | 6100-182K-RC     | 500          | 0.15            | 0.07              | CC        | 78FR15M          |
| 475          | 0.068           | 0.35              | SMCH      | PM205-R068M      | 500          | 0.22            | 0.84              | SMCH      | PM1008-R22K      |
| 475          | 0.33            | 0.36              | SMCH      | PM205-R33M       | 500          | 0.27            | 0.33              | SMCH      | PM205-R27M       |
| 475          | 0.82            | 0.45              | SMCH      | PM1812G-R82K-RC  | 500          | 0.27            | 0.91              | SMCH      | PM1008-R27K      |
| 475          | 0.82            | 0.45              | SMCH      | PM1812-R82K      | 500          | 0.68            | 0.4               | SMCH      | PM1812G-R68K-RC  |
| 475          | 62              | 1.2               | V         | 4630             | 500          | 0.68            | 0.4               | SMCH      | PM1812-R68K      |
| 480          | 0.01            | 0.195             | SMCH      | PM0402C-10NJ     | 500          | 3.9             | 0.2               | SMP       | PM32-3R9M        |
| 480          | 0.015           | 0.31              | SMCH      | PM1008M-R015M-RC | 500          | 3.9             | 0.8               | V         | 74F396AP         |
| 480          | 0.019           | 0.202             | SMCH      | PM0402C-19NJ     | 500          | 10              | 0.58              | CC        | 77F100K          |
| 480          | 0.15            | 0.42              | SMCH      | PM1008M-R15M-RC  | 500          | 10              | 1.5               | V         | 4612             |
| 480          | 2.2             | 0.26              | SMCH      | PM1210H-2R2M     | 500          | 12              | 0.6               | SMCH      | PM1812H-120K     |
| 480          | 3.3             | 0.35              | MS        | 9250-332         | 500          | 15              | 0.24              | SMPS      | PM425-150        |

## Coil Type

CC - Conformal coated

R - Radial lead

SMT - Surface mount toroid

CM - Common mode

SMC - Surface mount common mode

T - Toroid

HD - Heavy duty

SMCH - Surface mount, chip

TB - Toroid mounted on base

M - Molded

SMP - Surface mount, power

V - Varnished

MS - Molded, shielded

SMPS - Surface mount, power, shielded

VHD - Varnished heavy duty

**BOURNS®**

Tel. (877) 426-8767 • Fax (951) 781-5006

[www.bourns.com](http://www.bourns.com)

# Selector Guide

| Current (mA) | Inductance (µH) | Resistance (ohms) | Coil Type | Part Number      | Current (mA) | Inductance (µH) | Resistance (ohms) | Coil Type | Part Number     |
|--------------|-----------------|-------------------|-----------|------------------|--------------|-----------------|-------------------|-----------|-----------------|
| 500          | 18              | 0.45              | SMP       | PM52-180M        | 530          | 0.039           | 0.24              | SMCH      | PM20S-R039M     |
| 500          | 22              | 0.5               | SMP       | PM52-220M        | 530          | 8.2             | 0.52              | CC        | 77F8R2K         |
| 500          | 22              | 2                 | V         | 74F225AI         | 530          | 39              | 0.47              | SMPS      | PM635B-390L     |
| 500          | 33              | 1.6               | SMCH      | PM1008S-330M     | 530          | 120             | 0.65              | SMPS      | PM735H-121M     |
| 500          | 39              | 0.384             | SMPS      | PM428S-390       | 530          | 220             | 0.721             | SMP       | PM104-221K      |
| 500          | 47              | 0.23              | SMPS      | PM1608S-470M     | 530          | 470             | 0.706             | CM        | 3000-471        |
| 500          | 47              | 0.51              | SMPS      | PM635B-470L      | 530          | 1000            | 1.7               | R         | RL110-102K      |
| 500          | 47              | 0.64              | SMP       | PM1608-470M      | 530          | 1000            | 2.01              | SMPS      | PM5022S-102M    |
| 500          | 55              | 1                 | V         | 4629             | 532          | 10              | 1.27              | CC        | 8250-100K       |
| 500          | 56              | 0.665             | SMPS      | PM518S-560       | 535          | 1.5             | 0.2               | CC        | 78F1R5K         |
| 500          | 150             | 0.74              | SMPS      | PM735H-151M      | 535          | 1.5             | 0.22              | M         | 9130-24         |
| 500          | 150             | 1.2               | SMP       | PM3308-151M      | 535          | 2.7             | 0.28              | MS        | 9250-272        |
| 500          | 180             | 0.57              | SMPS      | PM1055B-181K     | 535          | 2.7             | 0.28              | MS        | 9250A-272       |
| 500          | 220             | 0.76              | R         | RL875S-221K      | 535          | 8.2             | 0.828             | CC        | 8250-8R2K       |
| 500          | 330             | 0.99              | SMPS      | PM1245H-331M     | 540          | 47              | 0.595             | SMPS      | PM518S-470      |
| 500          | 470             | 1.27              | SMP       | PM3316-471M      | 540          | 82              | 0.406             | SMP       | PM73-820K       |
| 500          | 2200            | 2                 | HD        | 5900-222         | 540          | 100             | 0.535             | SMPS      | PM628S-101      |
| 500          | 5000            | 1                 | CM        | 7353             | 540          | 180             | 0.69              | SMPS      | PM745H-181M     |
| 500          | 30,000          | 1.73              | CM        | 7416-RC          | 540          | 220             | 1.04              | R         | RL855-221K      |
| 505          | 33              | 0.928             | CC        | 8250-330K        | 540          | 330             | 0.85              | R         | RL622-331K-RC   |
| 508          | 120             | 0.283             | HD        | 5800-121         | 540          | 560             | 0.86              | SMPS      | PM1255H-561M    |
| 508          | 150             | 0.34              | HD        | 5800-151         | 545          | 0.47            | 0.32              | SMCH      | PM1812G-R47K-RC |
| 508          | 180             | 0.362             | HD        | 5800-181         | 545          | 0.47            | 0.32              | SMCH      | PM1812-R47K     |
| 508          | 220             | 0.43              | HD        | 5800-221         | 545          | 0.56            | 0.11              | CC        | 78FR56K         |
| 510          | 47              | 0.502             | V         | 3500-470K        | 545          | 0.56            | 0.5               | M         | 9130-14         |
| 510          | 100             | 0.481             | SMP       | PM73-101K        | 545          | 8.2             | 0.6               | M         | 9310-34         |
| 510          | 100             | 0.54              | SMPS      | PM7032S-101M     | 550          | 2.2             | 0.4               | CC        | 8230-28         |
| 510          | 180             | 0.71              | SMP       | PM75-181K        | 550          | 2.2             | 0.4               | M         | 9230-28         |
| 510          | 270             | 0.88              | R         | RL875-271K       | 550          | 6.8             | 0.48              | CC        | 77F6R8K         |
| 510          | 330             | 0.61              | R         | RL895-331K       | 550          | 10              | 0.5               | SMCH      | PM1812H-100K    |
| 510          | 1000            | 2.9               | R         | 6000-102K        | 550          | 15              | 0.4               | SMP       | PM52-150M       |
| 510          | 1500            | 2.5               | R         | 6100-152K-RC     | 550          | 100             | 0.49              | SMPS      | PM745B-101K     |
| 518          | 8.2             | 0.744             | V         | 70F826AI         | 550          | 100             | 0.67              | CC        | 5300-25         |
| 520          | 0.12            | 0.37              | SMCH      | PM1008M-R12M-RC  | 550          | 150             | 0.51              | SMPS      | PM1055B-151K    |
| 520          | 0.56            | 0.36              | SMCH      | PM1812G-R56K-RC  | 550          | 180             | 0.57              | R         | RL875S-181K     |
| 520          | 0.56            | 0.36              | SMCH      | PM1812-R56K      | 550          | 1000            | 1.82              | SMPS      | PM1275H-102M    |
| 520          | 11.2            | 0.065             | SMP       | PM620-06         | 560          | 0.015           | 0.172             | SMCH      | PM0402C-15NJ    |
| 520          | 39              | 0.587             | SMP       | PM43-390K        | 560          | 6.8             | 0.75              | CC        | 8250-6R8K       |
| 520          | 47              | 0.833             | SMT       | PM7518-470M      | 560          | 12              | 0.21              | SMPS      | PM42S-120       |
| 520          | 47              | 0.833             | SMT       | PM7518-470M      | 560          | 33              | 0.378             | SMPS      | PM428S-330      |
| 520          | 68              | 0.355             | SMPS      | PM528S-680       | 560          | 33              | 0.54              | SMP       | PM43-330K       |
| 520          | 100             | 0.7               | SMP       | PM54-101K        | 560          | 100             | 0.58              | SMPS      | PM735H-101M     |
| 520          | 300             | 0.73              | SMT       | PM3604-300       | 560          | 120             | 0.32              | R         | RL822-121K-RC   |
| 520          | 330             | 1.09              | SMPS      | PM1045H-331      | 560          | 180             | 0.621             | SMP       | PM104-181K      |
| 520          | 330             | 1.15              | SMP       | PM105-331K       | 560          | 330             | 0.5               | R         | RL824-331K-RC   |
| 520          | 390             | 0.56              | R         | RL824-391K-RC    | 560          | 820             | 1.8               | R         | 6000-821K       |
| 520          | 390             | 1.08              | SMPS      | PM1255-391M      | 560          | 1000            | 1.8               | SMP       | PM5022-102M     |
| 520          | 560             | 0.742             | CM        | 3000-561         | 565          | 0.22            | 0.3               | SMCH      | PM20S-R22M      |
| 520          | 560             | 1.1               | R         | RL110S-561K      | 565          | 0.47            | 0.25              | MS        | 9250-471        |
| 525          | 1.8             | 0.65              | M         | 9310-18          | 565          | 0.47            | 0.25              | MS        | 9250A-471       |
| 526          | 27              | 0.85              | CC        | 8250-270K        | 565          | 22              | 0.742             | CC        | 8250-220K       |
| 530          | 0.01            | 0.26              | SMCH      | PM1008M-R010M-RC | 566          | 6.8             | 0.624             | V         | 70F686AI        |

## Coil Type

CC - Conformal coated

R - Radial lead

SMT - Surface mount toroid

CM - Common mode

SMC - Surface mount common mode

T - Toroid

HD - Heavy duty

SMCH - Surface mount, chip

TB - Toroid mounted on base

M - Molded

SMP - Surface mount, power

V - Varnished

MS - Molded, shielded

SMPS - Surface mount, power, shielded

VHD - Varnished heavy duty

**BOURNS®**

Tel. (877) 426-8767 • Fax (951) 781-5006

[www.bourns.com](http://www.bourns.com)

# Selector Guide

| Current (mA) | Inductance (µH) | Resistance (ohms) | Coil Type | Part Number     | Current (mA) | Inductance (µH) | Resistance (ohms) | Coil Type | Part Number     |
|--------------|-----------------|-------------------|-----------|-----------------|--------------|-----------------|-------------------|-----------|-----------------|
| 566          | 7.5             | 0.624             | V         | 70F756AI        | 600          | 3.3             | 0.15              | SMP       | PM32-3R3M       |
| 570          | 39              | 0.52              | SMPS      | PMS185-390      | 600          | 3.3             | 0.7               | V         | 74F336AP        |
| 570          | 220             | 0.63              | R         | RL875-221K      | 600          | 6.8             | 0.35              | SMCH      | PM1812H-6R8K    |
| 570          | 270             | 0.53              | R         | RL895-271K      | 600          | 6.8             | 0.5               | M         | 9310-32         |
| 570          | 270             | 0.75              | R         | RL622-271K-RC   | 600          | 8.2             | 0.4               | SMCH      | PM1812H-8R2K    |
| 570          | 270             | 0.97              | SMP       | PM105-271K      | 600          | 8.2             | 1.2               | V         | 4611            |
| 570          | 330             | 0.8               | SMPS      | PM1255-331M     | 600          | 10              | 0.3               | SMP       | PM52-100M       |
| 570          | 470             | 0.98              | R         | RL1105-471K     | 600          | 12              | 0.35              | SMP       | PM52-120M       |
| 570          | 1200            | 2.2               | R         | 6100-122K-RC    | 600          | 33              | 0.19              | SMPS      | PM16085-330M    |
| 575          | 0.39            | 0.3               | SMCH      | PM1812-R39K     | 600          | 33              | 0.51              | SMP       | PM1608-330M     |
| 575          | 0.39            | 30                | SMCH      | PM1812G-R39K-RC | 600          | 39              | 0.65              | V         | 4628            |
| 580          | 0.15            | 0.7               | SMCH      | PM1008-R15K     | 600          | 82              | 0.39              | SMPS      | PM6285-820      |
| 580          | 0.18            | 0.24              | SMCH      | PM205-R18M      | 600          | 100             | 0.84              | SMP       | PM3308-101M     |
| 580          | 1.5             | 0.2               | SMCH      | PM1210H-1R5M    | 600          | 150             | 0.51              | R         | RL8755-151K     |
| 580          | 14.7            | 0.324             | SMP       | PM600-05        | 600          | 250             | 0.53              | SMT       | PM3604-250      |
| 580          | 27              | 0.261             | SMPS      | PM4285-270      | 600          | 270             | 0.48              | R         | RL824-271K-RC   |
| 580          | 56              | 0.305             | SMPS      | PMS285-560      | 600          | 270             | 0.88              | SMPS      | PM1245H-271M    |
| 580          | 82              | 0.6               | CC        | 5300-24         | 600          | 272             | 0.56              | SMT       | PM3604-68       |
| 580          | 82              | 0.6               | SMP       | PM54-820K       | 600          | 330             | 0.7               | SMP       | PM3340-331M     |
| 580          | 100             | 0.28              | R         | RL822-101K-RC   | 600          | 330             | 1.02              | SMP       | PM3316-331M     |
| 580          | 100             | 0.4               | SMT       | PM3602-100      | 600          | 820             | 1.64              | SMPS      | PM1275H-821M    |
| 580          | 150             | 0.64              | SMP       | PM75-151K       | 600          | 1200            | 1.04              | HD        | 5900-122        |
| 580          | 220             | 1.16              | SMP       | PM1355-221K     | 600          | 1500            | 1.18              | HD        | 5900-152        |
| 580          | 470             | 0.77              | SMPS      | PM1255H-471M    | 600          | 1800            | 1.56              | HD        | 5900-182        |
| 585          | 0.033           | 0.18              | SMCH      | PM205-R033M     | 600          | 20,000          | 1.11              | CM        | 7414-RC         |
| 590          | 0.47            | 0.35              | CC        | 8230-12         | 605          | 0.33            | 0.28              | SMCH      | PM1812G-R33K-RC |
| 590          | 0.47            | 0.35              | M         | 9230-12         | 605          | 0.33            | 0.28              | SMCH      | PM1812-R33K     |
| 590          | 1.2             | 0.18              | CC        | 78F1R2K         | 610          | 0.027           | 0.17              | SMCH      | PM205-R027M     |
| 590          | 1.2             | 0.18              | M         | 9130-22         | 610          | 10              | 0.2               | SMPS      | PM425-100       |
| 590          | 5.6             | 0.43              | CC        | 77F5R6K         | 610          | 33              | 0.346             | V         | 3500-330K       |
| 590          | 39              | 0.371             | V         | 3500-390K       | 610          | 33              | 0.41              | SMPS      | PM635B-330L     |
| 590          | 68              | 0.332             | SMP       | PM73-680K       | 610          | 68              | 0.46              | SMP       | PM54-680K       |
| 590          | 82              | 0.53              | SMPS      | PM735H-820M     | 610          | 68              | 0.53              | CC        | 5300-23         |
| 590          | 100             | 0.39              | SMT       | PM3602-25       | 610          | 150             | 0.544             | SMP       | PM104-151K      |
| 590          | 680             | 1.6               | R         | 6000-681K       | 612          | 180             | 1.04              | SMP       | PM1355-181K     |
| 590          | 820             | 1.3               | R         | RL110-821K      | 620          | 0.15            | 0.22              | CC        | 79FR15M-RC      |
| 596          | 18              | 0.677             | CC        | 8250-180K       | 620          | 0.18            | 0.77              | SMCH      | PM1008-R18K     |
| 600          | 0.0022          | 0.08              | SMCH      | PM0805-2N2M     | 620          | 4.7             | 0.39              | CC        | 77F4R7K         |
| 600          | 0.0033          | 0.08              | SMCH      | PM0805-3N3M     | 620          | 27              | 0.522             | SMP       | PM43-270M       |
| 600          | 0.0068          | 0.11              | SMCH      | PM0805-6N8M     | 620          | 47              | 0.26              | SMPS      | PM5285-470      |
| 600          | 0.0082          | 0.12              | SMCH      | PM0805-8N2M     | 620          | 68              | 0.37              | SMPS      | PM7032S-680M    |
| 600          | 0.012           | 0.15              | SMCH      | PM0805-12NM     | 620          | 82              | 0.43              | SMPS      | PM745B-820L     |
| 600          | 0.015           | 0.17              | SMCH      | PM0805-15NM     | 620          | 150             | 0.54              | SMPS      | PM745H-151M     |
| 600          | 0.018           | 0.2               | SMCH      | PM0805-18NM     | 620          | 180             | 0.89              | R         | RL855-181K      |
| 600          | 0.033           | 0.23              | SMCH      | PM0603-33NJ     | 620          | 390             | 0.515             | CM        | 3000-391        |
| 600          | 0.039           | 0.25              | SMCH      | PM0603-39NJ     | 620          | 390             | 0.69              | R         | RL1105-391K     |
| 600          | 0.047           | 0.28              | SMCH      | PM0603-47NJ     | 620          | 1000            | 1.55              | R         | 6100-102K-RC    |
| 600          | 0.056           | 0.31              | SMCH      | PM0603-56NJ     | 630          | 0.12            | 0.2               | SMCH      | PM205-R12M      |
| 600          | 0.068           | 0.34              | SMCH      | PM0603-68NJ     | 630          | 80              | 0.34              | SMT       | PM3602-20       |
| 600          | 0.15            | 0.2               | SMCH      | PM205-R15M      | 630          | 120             | 0.37              | SMPS      | PM1055B-121K    |
| 600          | 0.18            | 0.24              | CC        | 79FR18M-RC      | 630          | 270             | 0.7               | SMPS      | PM1255-271M     |
| 600          | 1.5             | 0.5               | M         | 9310-16         | 632          | 100             | 0.208             | HD        | 5800-101        |

## Coil Type

CC - Conformal coated

R - Radial lead

SMT - Surface mount toroid

CM - Common mode

SMC - Surface mount common mode

T - Toroid

HD - Heavy duty

SMCH - Surface mount, chip

TB - Toroid mounted on base

M - Molded

SMP - Surface mount, power

V - Varnished

MS - Molded, shielded

SMPS - Surface mount, power, shielded

VHD - Varnished heavy duty

**BOURNS®**

Tel. (877) 426-8767 • Fax (951) 781-5006

[www.bourns.com](http://www.bourns.com)

# Selector Guide

| Current (mA) | Inductance (µH) | Resistance (ohms) | Coil Type | Part Number     | Current (mA) | Inductance (µH) | Resistance (ohms) | Coil Type | Part Number     |
|--------------|-----------------|-------------------|-----------|-----------------|--------------|-----------------|-------------------|-----------|-----------------|
| 635          | 0.27            | 0.26              | SMCH      | PM1812G-R27K-RC | 670          | 82              | 0.25              | R         | RL822-820K-RC   |
| 635          | 0.27            | 0.26              | SMCH      | PM1812-R27K     | 670          | 120             | 0.36              | R         | RL875S-121K     |
| 637          | 5.6             | 0.492             | V         | 70F566AI        | 670          | 150             | 0.71              | R         | RL855-151K      |
| 640          | 0.011           | 0.12              | SMCH      | PM0402C-11NJ    | 670          | 680             | 1.46              | SMPS      | PM1275H-681M    |
| 640          | 0.012           | 0.12              | SMCH      | PM0402C-12NJ    | 680          | 0.0075          | 0.104             | SMCH      | PM0402C-7N5J    |
| 640          | 0.022           | 0.15              | SMCH      | PM205-R022M     | 680          | 0.0082          | 0.104             | SMCH      | PM0402C-8N2J    |
| 640          | 0.39            | 0.3               | CC        | 8230-10         | 680          | 0.009           | 0.104             | SMCH      | PM0402C-9N0J    |
| 640          | 0.39            | 0.3               | M         | 9230-10         | 680          | 5.6             | 0.511             | CC        | 8250-5R6K       |
| 640          | 1.8             | 0.3               | CC        | 8230-26         | 680          | 8.2             | 0.245             | SMPS      | PM425-8R2       |
| 640          | 1.8             | 0.3               | M         | 9230-26         | 680          | 22              | 0.378             | SMP       | PM43-220M       |
| 640          | 3.9             | 0.37              | CC        | 77F3R9K         | 680          | 47              | 0.252             | SMP       | PM73-470M       |
| 640          | 27              | 0.36              | SMPS      | PM635B-270M     | 680          | 56              | 0.42              | SMP       | PM54-560K       |
| 640          | 33              | 0.556             | SMT       | PM7518-330M     | 680          | 68              | 0.33              | SMPS      | PM745B-680L     |
| 640          | 33              | 0.556             | SMT       | PM7518-330M     | 680          | 330             | 0.51              | SMPS      | PM1255H-331M    |
| 640          | 56              | 0.282             | SMP       | PM73-560K       | 680          | 330             | 0.51              | R         | RL110S-331K     |
| 640          | 200             | 0.48              | SMT       | PM3604-50       | 680          | 470             | 1.1               | R         | 6000-471K       |
| 640          | 220             | 0.38              | R         | RL895-221K      | 690          | 0.018           | 0.13              | SMCH      | PM205-R018M     |
| 640          | 220             | 0.65              | R         | RL622-221K-RC   | 690          | 100             | 0.43              | SMPS      | PM745H-101M     |
| 640          | 560             | 1.4               | R         | 6000-561K       | 690          | 120             | 0.396             | SMP       | PM104-121K      |
| 640          | 680             | 1.4               | SMPS      | PM5022S-681M    | 690          | 180             | 0.58              | R         | RL622-181K-RC   |
| 650          | 0.1             | 0.56              | SMCH      | PM1008-R10K     | 690          | 330             | 0.415             | CM        | 3000-331        |
| 650          | 0.12            | 0.68              | SMCH      | PM1008-R12K     | 690          | 820             | 1.44              | R         | 6100-821K-RC    |
| 650          | 0.47            | 0.1               | CC        | 78FR47K         | 700          | 0.0022          | 0.08              | SMCH      | PM0603-2N2      |
| 650          | 0.47            | 0.35              | M         | 9130-12         | 700          | 0.0039          | 0.08              | SMCH      | PM0603-3N9      |
| 650          | 1.2             | 0.42              | M         | 9310-14         | 700          | 0.0047          | 0.13              | SMCH      | PM0603-4N7      |
| 650          | 2.2             | 0.19              | MS        | 9250-222        | 700          | 0.0068          | 0.11              | SMCH      | PM0603-6N8J     |
| 650          | 2.2             | 0.19              | MS        | 9250A-222       | 700          | 0.0082          | 0.11              | SMCH      | PM0603-8N2J     |
| 650          | 4.7             | 0.27              | SMCH      | PM1812H-4R7K    | 700          | 0.01            | 0.15              | SMCH      | PM0603-10NJ     |
| 650          | 5.6             | 0.3               | SMCH      | PM1812H-5R6K    | 700          | 0.012           | 0.13              | SMCH      | PM0603-12NJ     |
| 650          | 8.2             | 0.15              | SMP       | PMS2-8R2M       | 700          | 0.015           | 0.17              | SMCH      | PM0603-15NJ     |
| 650          | 22              | 1.4               | SMCH      | PM1008S-220M    | 700          | 0.018           | 0.17              | SMCH      | PM0603-18NJ     |
| 650          | 33              | 0.386             | SMPS      | PMS18S-330      | 700          | 0.022           | 0.19              | SMCH      | PM0603-22NJ     |
| 650          | 56              | 0.47              | CC        | 5300-22         | 700          | 0.027           | 0.23              | SMCH      | PM0603-27NJ     |
| 650          | 68              | 0.304             | SMPS      | PM628S-680      | 700          | 0.1             | 0.18              | CC        | 79FR10M-RC      |
| 650          | 100             | 0.358             | SMPS      | PM638S-101      | 700          | 0.18            | 0.24              | SMCH      | PM1812G-R18K-RC |
| 650          | 200             | 0.47              | SMT       | PM3604-200      | 700          | 0.18            | 0.24              | SMCH      | PM1812-R18K     |
| 650          | 390             | 0.69              | SMPS      | PM1255H-391M    | 700          | 0.39            | 0.09              | CC        | 78FR39K         |
| 650          | 680             | 1.1               | R         | RL110-681K      | 700          | 0.39            | 0.3               | M         | 9130-10         |
| 658          | 150             | 0.9               | SMP       | PM135S-151K     | 700          | 2.7             | 0.5               | V         | 74F276AP        |
| 660          | 0.12            | 0.2               | CC        | 79FR12M-RC      | 700          | 3.9             | 0.24              | SMCH      | PM1812H-3R9K    |
| 660          | 120             | 0.47              | SMPS      | PM745H-121M     | 700          | 6.2             | 0.83              | V         | 4610            |
| 660          | 120             | 0.47              | SMP       | PM75-121K       | 700          | 6.8             | 0.14              | SMP       | PM52-6R8M       |
| 660          | 180             | 0.57              | R         | RL875-181K      | 700          | 15              | 1.15              | SMCH      | PM1008S-150M    |
| 660          | 220             | 0.73              | SMP       | PM105-221K      | 700          | 22              | 0.11              | SMPS      | PM1608S-220M    |
| 661          | 4.7             | 0.457             | V         | 70F476AI        | 700          | 22              | 0.235             | SMPS      | PM428S-220      |
| 665          | 0.22            | 0.25              | SMCH      | PM1812G-R22K-RC | 700          | 27              | 0.265             | V         | 3500-270K       |
| 665          | 0.22            | 0.25              | SMCH      | PM1812-R22K     | 700          | 39              | 0.212             | SMPS      | PM528S-390      |
| 670          | 0.39            | 0.18              | MS        | 9250-391        | 700          | 56              | 0.37              | SMPS      | PM735H-560M     |
| 670          | 0.39            | 0.18              | MS        | 9250A-391       | 700          | 68              | 0.22              | R         | RL822-680K-RC   |
| 670          | 3.3             | 0.34              | CC        | 77F3R3K         | 700          | 68              | 0.66              | SMP       | PM3308-680M     |
| 670          | 21.6            | 0.202             | SMP       | PM610-03        | 700          | 82              | 0.324             | SMPS      | PM638S-820      |
| 670          | 68              | 0.41              | SMPS      | PM735H-680M     | 700          | 220             | 0.44              | SMP       | PM3340-221M     |

## Coil Type

CC - Conformal coated

R - Radial lead

SMT - Surface mount toroid

CM - Common mode

SMC - Surface mount common mode

T - Toroid

HD - Heavy duty

SMCH - Surface mount, chip

TB - Toroid mounted on base

M - Molded

SMP - Surface mount, power

V - Varnished

MS - Molded, shielded

SMPS - Surface mount, power, shielded

VHD - Varnished heavy duty

**BOURNS®**

Tel. (877) 426-8767 • Fax (951) 781-5006

[www.bourns.com](http://www.bourns.com)

# Selector Guide

| Current (mA) | Inductance (µH) | Resistance (ohms) | Coil Type | Part Number     | Current (mA) | Inductance (µH) | Resistance (ohms) | Coil Type | Part Number     |
|--------------|-----------------|-------------------|-----------|-----------------|--------------|-----------------|-------------------|-----------|-----------------|
| 700          | 220             | 0.52              | SMPS      | PM1255-221M     | 760          | 47              | 0.35              | CC        | 5300-21         |
| 700          | 220             | 0.756             | SMPS      | PM1045H-221     | 760          | 56              | 0.2               | R         | RL822-560K-RC   |
| 700          | 45,000          | 1.18              | CM        | 7518-RC         | 760          | 56              | 0.29              | SMPS      | PM745B-560L     |
| 710          | 4.7             | 0.168             | CC        | 8250-4R7K       | 760          | 120             | 0.59              | R         | RL855-121K      |
| 710          | 47              | 0.29              | SMPS      | PM7032S-470M    | 760          | 270             | 0.345             | CM        | 3000-271        |
| 710          | 180             | 0.31              | R         | RL895-181K      | 760          | 680             | 1.09              | R         | 6100-681K-RC    |
| 710          | 560             | 1                 | R         | RL110-561K      | 770          | 0.12            | 0.2               | SMCH      | PM1812G-R12K-RC |
| 720          | 0.015           | 0.12              | SMCH      | PM205-R015M     | 770          | 0.12            | 0.2               | SMCH      | PM1812-R12K     |
| 720          | 2.7             | 0.3               | CC        | 77F2R7K         | 770          | 1               | 0.16              | SMCH      | PM1210H-1R0M    |
| 720          | 18              | 0.166             | SMPS      | PM4285-180      | 770          | 180             | 0.48              | SMPS      | PM1255-181M     |
| 720          | 47              | 0.37              | SMP       | PM54-470L       | 775          | 1.8             | 0.14              | MS        | 9250-182        |
| 720          | 68              | 0.26              | SMT       | PM3602-68       | 775          | 1.8             | 0.14              | MS        | 9250A-182       |
| 720          | 100             | 0.34              | SMPS      | PM1055B-101K    | 780          | 0.33            | 0.13              | MS        | 9250-331        |
| 720          | 100             | 0.43              | SMP       | PM75-101K       | 780          | 0.33            | 0.13              | MS        | 9250A-331       |
| 720          | 150             | 0.42              | R         | RL875-151K      | 780          | 0.33            | 0.2               | CC        | 8230-08         |
| 720          | 180             | 0.63              | SMP       | PM105-181K      | 780          | 0.33            | 0.2               | M         | 9230-08         |
| 720          | 680             | 1.2               | SMP       | PM5022-681M     | 780          | 10              | 0.95              | SMCH      | PM1008S-100M    |
| 725          | 0.82            | 0.45              | CC        | 8250-R82K       | 780          | 18              | 0.25              | SMPS      | PM635B-180M     |
| 730          | 0.15            | 0.22              | SMCH      | PM1812G-R15K-RC | 780          | 50              | 0.22              | SMT       | PM3602-50       |
| 730          | 0.15            | 0.22              | SMCH      | PM1812-R15K     | 780          | 82              | 0.37              | SMP       | PM75-820K       |
| 730          | 56              | 0.277             | SMPS      | PM6285-560      | 780          | 150             | 0.32              | SMT       | PM3604-150      |
| 730          | 60              | 0.25              | SMT       | PM3602-15       | 780          | 150             | 0.47              | SMP       | PM105-151K      |
| 730          | 470             | 1.08              | SMPS      | PM5022S-471M    | 780          | 330             | 0.85              | R         | 6000-331K       |
| 730          | 560             | 1.07              | SMPS      | PM1275H-561M    | 780          | 470             | 0.71              | R         | RL110-471K      |
| 740          | 18              | 0.338             | SMP       | PM43-180M       | 790          | 0.68            | 0.382             | CC        | 8250-R68K       |
| 740          | 39              | 0.217             | SMP       | PM73-390M       | 790          | 1.8             | 0.25              | CC        | 77F1R8K         |
| 740          | 100             | 0.32              | R         | RL875S-101K     | 790          | 47              | 0.17              | R         | RL822-470K-RC   |
| 740          | 100             | 0.344             | SMP       | PM104-101K      | 790          | 82              | 0.28              | SMPS      | PM1055B-820L    |
| 740          | 150             | 0.27              | R         | RL895-151K      | 790          | 220             | 0.316             | CM        | 3000-221        |
| 740          | 390             | 1                 | R         | 6000-391K       | 790          | 470             | 0.98              | SMPS      | PM1275H-471M    |
| 745          | 1.5             | 0.22              | CC        | 8230-24         | 793          | 100             | 0.62              | SMP       | PM1355-101K     |
| 745          | 1.5             | 0.22              | M         | 9230-24         | 800          | 0.001           | 0.2               | SMCH      | PM0603T-1N0-RC  |
| 750          | 0.012           | 0.11              | SMCH      | PM205-R012M     | 800          | 0.0012          | 0.2               | SMCH      | PM0603T-1N2-RC  |
| 750          | 2.2             | 0.08              | SMP       | PM32-2R2M       | 800          | 0.0015          | 0.2               | SMCH      | PM0603T-1N5-RC  |
| 750          | 2.2             | 0.28              | CC        | 77F2R2K         | 800          | 0.0051          | 0.083             | SMCH      | PM0402C-5N1J    |
| 750          | 2.7             | 0.1               | SMP       | PM32-2R7M       | 800          | 0.1             | 0.18              | SMCH      | PM1812G-R10K-RC |
| 750          | 3.3             | 0.22              | SMCH      | PM1812H-3R3K    | 800          | 0.1             | 0.18              | SMCH      | PM1812-R10K     |
| 750          | 5.6             | 0.32              | M         | 9310-30         | 800          | 1.8             | 0.06              | SMP       | PM32-1R8M       |
| 750          | 22              | 0.23              | V         | 3500-220K       | 800          | 2.2             | 0.3               | V         | 74F226AP        |
| 750          | 27              | 0.33              | SMPS      | PM518S-270      | 800          | 2.4             | 0.012             | SMPS      | PM1275H-2R4N    |
| 750          | 33              | 0.189             | SMPS      | PM528S-330      | 800          | 2.7             | 0.2               | SMCH      | PM1812H-2R7K    |
| 750          | 68              | 0.234             | SMPS      | PM638S-680      | 800          | 5.6             | 0.17              | SMPS      | PM425-5R6       |
| 750          | 150             | 0.37              | R         | RL622-151K-RC   | 800          | 15              | 0.09              | SMPS      | PM1608S-150M    |
| 750          | 270             | 0.36              | R         | RL110S-271K     | 800          | 22              | 0.29              | SMPS      | PM518S-220      |
| 750          | 270             | 0.46              | SMPS      | PM1255H-271M    | 800          | 22              | 0.36              | SMT       | PM7518-220M     |
| 755          | 120             | 0.684             | SMP       | PM1355-121K     | 800          | 22              | 0.36              | SMT       | PM7518-220M     |
| 760          | 0.0056          | 0.083             | SMCH      | PM0402C-5N6J    | 800          | 22              | 0.37              | SMP       | PM1608-220M     |
| 760          | 0.0062          | 0.083             | SMCH      | PM0402C-6N2J    | 800          | 24              | 0.34              | V         | 4626            |
| 760          | 6.8             | 0.2               | SMPS      | PM425-6R8       | 800          | 39              | 0.32              | SMP       | PM54-390L       |
| 760          | 14.2            | 0.094             | SMP       | PM620-07        | 800          | 47              | 0.238             | SMPS      | PM628S-470      |
| 760          | 15              | 0.149             | SMPS      | PM428S-150      | 800          | 47              | 0.27              | SMPS      | PM745B-470L     |
| 760          | 22              | 0.32              | SMPS      | PM635B-220M     | 800          | 47              | 0.39              | SMP       | PM3308-470M     |

## Coil Type

CC - Conformal coated

R - Radial lead

SMT - Surface mount toroid

CM - Common mode

SMC - Surface mount common mode

T - Toroid

HD - Heavy duty

SMCH - Surface mount, chip

TB - Toroid mounted on base

M - Molded

SMP - Surface mount, power

V - Varnished

MS - Molded, shielded

SMPS - Surface mount, power, shielded

VHD - Varnished heavy duty

**BOURNS®**

Tel. (877) 426-8767 • Fax (951) 781-5006

[www.bourns.com](http://www.bourns.com)

# Selector Guide

| Current (mA) | Inductance (µH) | Resistance (ohms) | Coil Type | Part Number   | Current (mA) | Inductance (µH) | Resistance (ohms) | Coil Type | Part Number   |
|--------------|-----------------|-------------------|-----------|---------------|--------------|-----------------|-------------------|-----------|---------------|
| 800          | 47              | 0.472             | SMPS      | PM3316S-470M  | 850          | 6.8             | 0.6               | SMCH      | PM1008S-6R8M  |
| 800          | 132             | 0.31              | SMT       | PM3604-33     | 850          | 15              | 0.235             | SMP       | PM43-150M     |
| 800          | 220             | 0.4               | SMPS      | PM125SH-221M  | 850          | 18              | 0.18              | V         | 3500-180K     |
| 800          | 220             | 0.61              | SMP       | PM3316-221M   | 850          | 18              | 0.21              | SMPS      | PM518S-180    |
| 800          | 220             | 0.7               | SMPS      | PM124SH-221M  | 850          | 27              | 0.175             | SMPS      | PM528S-270    |
| 800          | 470             | 0.636             | HD        | 1110-471K     | 850          | 33              | 0.17              | SMP       | PM73-330M     |
| 800          | 560             | 0.696             | HD        | 1110-561K     | 850          | 56              | 0.202             | SMPS      | PM638S-560    |
| 800          | 820             | 0.655             | HD        | 5900-821      | 850          | 68              | 0.21              | SMPS      | PM105SB-680L  |
| 800          | 1000            | 0.844             | HD        | 5900-102      | 850          | 68              | 0.28              | SMP       | PM75-680K     |
| 800          | 1200            | 1.14              | HD        | 1120-122K     | 850          | 82              | 0.252             | SMP       | PM104-820K    |
| 800          | 1500            | 1.26              | HD        | 1120-152K     | 850          | 150             | 0.4               | SMPS      | PM125S-151M   |
| 800          | 1800            | 1.39              | HD        | 1120-182K     | 850          | 150             | 0.506             | SMPS      | PM104SH-151   |
| 800          | 2200            | 1.54              | HD        | 1120-222K     | 850          | 180             | 0.25              | R         | RL824-181K-RC |
| 800          | 10,000          | 0.5               | CM        | 7412-RC       | 850          | 180             | 0.62              | SMPS      | PM124SH-181M  |
| 800          | 30,000          | 0.76              | CM        | 7516-RC       | 850          | 2000            | 0.4               | CM        | 7352          |
| 804          | 39              | 0.094             | HD        | 5800-390      | 850          | 2500            | 2.04              | HD        | 5609          |
| 804          | 47              | 0.109             | HD        | 5800-470      | 855          | 0.27            | 0.11              | MS        | 9250-271      |
| 804          | 56              | 0.14              | HD        | 5800-560      | 855          | 0.27            | 0.11              | MS        | 9250A-271     |
| 804          | 68              | 0.145             | HD        | 5800-680      | 860          | 15              | 0.18              | SMPS      | PM635B-150M   |
| 804          | 82              | 0.152             | HD        | 5800-820      | 860          | 39              | 0.21              | SMPS      | PM628S-390    |
| 810          | 0.01            | 0.1               | SMCH      | PM20S-R010M   | 860          | 330             | 0.78              | SMPS      | PM5022S-331M  |
| 810          | 82              | 0.27              | R         | RL875S-820K   | 860          | 390             | 0.65              | R         | RL110-391K    |
| 810          | 82              | 0.32              | SMPS      | PM745H-820M   | 870          | 0.75            | 0.264             | V         | 70F757AP      |
| 810          | 100             | 0.52              | R         | RL85S-101K    | 870          | 3.9             | 0.264             | V         | 70F396AI      |
| 810          | 120             | 0.36              | R         | RL875-121K    | 870          | 6.5             | 0.137             | SMP       | PM600-06      |
| 810          | 180             | 0.259             | CM        | 3000-181      | 870          | 39              | 0.24              | SMPS      | PM735H-390M   |
| 815          | 0.33            | 0.08              | CC        | 78FR33K       | 870          | 68              | 0.27              | SMPS      | PM745H-680M   |
| 815          | 0.33            | 0.22              | M         | 9130-08       | 875          | 0.27            | 0.16              | CC        | 8230-06       |
| 815          | 1.5             | 0.12              | MS        | 9250-152      | 875          | 0.27            | 0.16              | M         | 9230-06       |
| 815          | 1.5             | 0.12              | MS        | 9250A-152     | 880          | 1.2             | 0.21              | CC        | 77F1R2K       |
| 815          | 3.9             | 0.354             | CC        | 8250-3R9K     | 880          | 3.9             | 0.155             | SMPS      | PM425-3R9     |
| 820          | 47              | 0.27              | SMPS      | PM735SH-470M  | 880          | 10.9            | 0.324             | SMP       | PM600-07      |
| 820          | 120             | 0.22              | R         | RL895-121K    | 880          | 15              | 0.3               | SMT       | PM7518-150M   |
| 820          | 220             | 0.28              | R         | RL824-221K-RC | 880          | 15              | 0.3               | SMT       | PM7518-150M   |
| 820          | 470             | 0.85              | SMP       | PM5022-471M   | 880          | 33              | 0.23              | SMP       | PM54-330L     |
| 825          | 1.2             | 0.18              | CC        | 8230-22       | 880          | 39              | 0.26              | CC        | 5300-20       |
| 825          | 1.2             | 0.18              | M         | 9230-22       | 880          | 390             | 0.7               | SMPS      | PM127SH-391M  |
| 830          | 0.82            | 0.29              | V         | 70F827AP      | 890          | 68              | 0.21              | R         | RL875S-680K   |
| 830          | 1               | 0.29              | M         | 9310-12       | 890          | 100             | 0.28              | R         | RL875-101K    |
| 830          | 1.5             | 0.23              | CC        | 77F1R5K       | 890          | 120             | 0.4               | SMP       | PM105-121K    |
| 830          | 220             | 0.29              | R         | RL110S-221K   | 895          | 1.2             | 0.1               | MS        | 9250-122      |
| 830          | 560             | 0.87              | R         | 6100-561K-RC  | 895          | 1.2             | 0.1               | MS        | 9250A-122     |
| 840          | 0.0033          | 0.066             | SMCH      | PM0402C-3N3   | 900          | 0.56            | 0.29              | CC        | 8250-R56K     |
| 840          | 0.0036          | 0.066             | SMCH      | PM0402C-3N6   | 900          | 0.82            | 0.22              | M         | 9310-10       |
| 840          | 0.0039          | 0.066             | SMCH      | PM0402C-3N9   | 900          | 1.5             | 0.25              | V         | 74F156AP      |
| 840          | 4.7             | 0.162             | SMPS      | PM425-4R7     | 900          | 1.8             | 0.16              | SMCH      | PM1812H-1R8K  |
| 840          | 8.2             | 0.147             | SMP       | PM43-8R2M     | 900          | 22              | 0.122             | SMPS      | PM528S-220    |
| 840          | 12              | 0.132             | SMPS      | PM428S-120    | 900          | 33              | 0.22              | SMPS      | PM735H-330M   |
| 840          | 120             | 0.32              | R         | RL622-121K-RC | 900          | 100             | 0.19              | R         | RL895-101K    |
| 850          | 1.8             | 0.28              | V         | 74F186AP      | 900          | 150             | 0.34              | SMP       | PM3340-151M   |
| 850          | 2.2             | 0.18              | SMCH      | PM1812H-2R2K  | 900          | 180             | 0.29              | SMPS      | PM125SH-181M  |
| 850          | 5.5             | 0.67              | V         | 4609          | 900          | 270             | 0.75              | R         | 6000-271K     |

## Coil Type

|                            |                                 |                             |                            |                                       |
|----------------------------|---------------------------------|-----------------------------|----------------------------|---------------------------------------|
| CC - Conformal coated      | CM - Common mode                | HD - Heavy duty             | M - Molded                 | MS - Molded, shielded                 |
| R - Radial lead            | SMP - Surface mount common mode | SMCH - Surface mount, chip  | SMP - Surface mount, power | SMPS - Surface mount, power, shielded |
| SMT - Surface mount toroid | T - Toroid                      | TB - Toroid mounted on base | V - Varnished              | VHD - Varnished heavy duty            |



Tel. (877) 426-8767 • Fax (951) 781-5006

[www.bourns.com](http://www.bourns.com)

# Selector Guide

| Current (mA) | Inductance (µH) | Resistance (ohms) | Coil Type | Part Number   | Current (mA) | Inductance (µH) | Resistance (ohms) | Coil Type | Part Number  |
|--------------|-----------------|-------------------|-----------|---------------|--------------|-----------------|-------------------|-----------|--------------|
| 900          | 470             | 0.77              | R         | 6100-471K-RC  | 990          | 150             | 0.204             | CM        | 3000-151     |
| 900          | 8000            | 0.44              | CM        | 7410-RC       | 996          | 68              | 0.418             | SMP       | PM1355-680K  |
| 910          | 15              | 0.158             | V         | 3500-150K     | 1000         | 0.01            | 0.08              | SMCH      | PM1008-10NM  |
| 910          | 33              | 0.24              | CC        | 5300-19       | 1000         | 0.012           | 0.09              | SMCH      | PM1008-12NM  |
| 910          | 39              | 0.18              | SMPS      | PM745B-390L   | 1000         | 0.015           | 0.1               | SMCH      | PM1008-15NM  |
| 910          | 68              | 0.223             | SMP       | PM104-680K    | 1000         | 0.018           | 0.11              | SMCH      | PM1008-18NM  |
| 910          | 100             | 0.28              | R         | RL622-101K-RC | 1000         | 0.022           | 0.12              | SMCH      | PM1008-22NM  |
| 912          | 3.3             | 0.24              | V         | 70F336AI      | 1000         | 0.027           | 0.13              | SMCH      | PM1008-27NM  |
| 913          | 82              | 0.468             | SMP       | PM1355-820K   | 1000         | 0.033           | 0.14              | SMCH      | PM1008-33NM  |
| 920          | 1               | 0.17              | CC        | 77F1R0K       | 1000         | 0.039           | 0.15              | SMCH      | PM1008-39NM  |
| 920          | 40              | 0.16              | SMT       | PM3602-10     | 1000         | 0.047           | 0.16              | SMCH      | PM1008-47NM  |
| 920          | 150             | 0.22              | R         | RL824-151K-RC | 1000         | 0.056           | 0.18              | SMCH      | PM1008-56NK  |
| 920          | 180             | 0.26              | R         | RL1105-181K   | 1000         | 0.068           | 0.2               | SMCH      | PM1008-68NK  |
| 930          | 56              | 0.19              | SMPS      | PM1055B-560L  | 1000         | 0.082           | 0.22              | SMCH      | PM1008-82NK  |
| 930          | 56              | 0.24              | SMPS      | PM745H-560M   | 1000         | 0.68            | 0.2               | V         | 70F687AP     |
| 930          | 82              | 0.4               | R         | RL855-820K    | 1000         | 1               | 0.2               | V         | 74F106AP     |
| 930          | 330             | 0.52              | R         | RL110-331K    | 1000         | 1.2             | 0.12              | SMCH      | PM1812H-1R2K |
| 935          | 0.22            | 0.14              | CC        | 8230-04       | 1000         | 3.9             | 0.09              | SMP       | PM52-3R9M    |
| 935          | 0.22            | 0.14              | M         | 9230-04       | 1000         | 3.9             | 0.45              | V         | 4608         |
| 940          | 12              | 0.16              | SMPS      | PM635B-120M   | 1000         | 4.7             | 0.1               | SMP       | PM52-4R7M    |
| 940          | 27              | 0.153             | SMP       | PM73-270M     | 1000         | 4.7             | 0.35              | SMCH      | PM10085-4R7M |
| 940          | 56              | 0.24              | SMP       | PM75-560K     | 1000         | 5.6             | 0.11              | SMP       | PM52-5R6M    |
| 940          | 120             | 0.19              | R         | RL824-121K-RC | 1000         | 5.6             | 0.4               | SMCH      | PM10085-5R6M |
| 950          | 0.27            | 0.08              | CC        | 78FR27K       | 1000         | 10              | 0.075             | SMPS      | PM16085-100M |
| 950          | 1.2             | 0.22              | V         | 74F126AP      | 1000         | 10              | 0.12              | V         | 3500-100K    |
| 950          | 1.5             | 0.15              | SMCH      | PM1812H-1R5K  | 1000         | 10              | 0.128             | SMPS      | PM4285-100   |
| 950          | 3.3             | 0.26              | CC        | 8250-3R3K     | 1000         | 10              | 0.14              | SMPS      | PM635B-100M  |
| 950          | 6.8             | 0.132             | SMP       | PM43-6R8M     | 1000         | 15              | 0.17              | V         | 4624         |
| 950          | 27              | 0.22              | CC        | 5300-18       | 1000         | 18              | 0.11              | SMPS      | PM5285-180   |
| 950          | 32              | 0.15              | SMT       | PM3602-8      | 1000         | 22              | 0.13              | SMPS      | PM7032S-220M |
| 950          | 47              | 0.155             | SMPS      | PM6385-470    | 1000         | 22              | 0.19              | CC        | 5300-17      |
| 950          | 120             | 0.28              | SMPS      | PM1255-121M   | 1000         | 39              | 0.138             | SMPS      | PM6385-390   |
| 950          | 150             | 0.53              | SMPS      | PM1245H-151M  | 1000         | 47              | 0.14              | SMPS      | PM1055B-470L |
| 950          | 330             | 0.64              | SMPS      | PM1275H-331M  | 1000         | 68              | 0.34              | R         | RL855-680K   |
| 960          | 0.0022          | 0.07              | SMCH      | PM0402C-2N2   | 1000         | 82              | 0.16              | R         | RL895-820K   |
| 960          | 0.27            | 0.16              | M         | 9130-06       | 1000         | 82              | 0.24              | R         | RL875-820K   |
| 960          | 10.6            | 0.094             | SMP       | PM610-04      | 1000         | 82              | 0.25              | SMP       | PM105-820K   |
| 960          | 12              | 0.14              | V         | 3500-120K     | 1000         | 150             | 0.23              | SMPS      | PM1255H-151M |
| 960          | 100             | 0.22              | SMT       | PM3604-25     | 1000         | 150             | 0.23              | R         | RL1105-151K  |
| 970          | 12              | 0.21              | SMP       | PM43-120M     | 1000         | 150             | 0.4               | SMP       | PM3316-151M  |
| 970          | 15              | 0.196             | SMPS      | PM5185-150    | 1000         | 220             | 0.65              | R         | 6000-221K    |
| 970          | 27              | 0.2               | SMP       | PM54-270M     | 1000         | 270             | 0.4               | R         | RL110-271K   |
| 970          | 33              | 0.165             | SMPS      | PM6285-330    | 1000         | 330             | 0.56              | SMP       | PM5022-331M  |
| 970          | 33              | 0.18              | SMPS      | PM745B-330L   | 1000         | 390             | 0.46              | HD        | 1110-391K    |
| 970          | 100             | 0.35              | SMP       | PM105-101K    | 1000         | 390             | 0.64              | R         | 6100-391K-RC |
| 980          | 10              | 0.24              | SMT       | PM7518-100M   | 1000         | 560             | 0.42              | HD        | 5900-561     |
| 980          | 10              | 0.24              | SMT       | PM7518-100M   | 1000         | 600             | 0.04              | CM        | 7101         |
| 980          | 27              | 0.19              | SMPS      | PM735H-270M   | 1000         | 680             | 0.548             | HD        | 5900-681     |
| 980          | 33              | 0.14              | SMT       | PM3602-33     | 1000         | 1000            | 0.06              | CM        | 7102         |
| 980          | 100             | 0.21              | SMT       | PM3604-100    | 1000         | 1000            | 0.55              | VHD       | 5258         |
| 990          | 5.6             | 0.126             | SMP       | PM43-5R6M     | 1000         | 1000            | 0.818             | HD        | 1120-102K    |
| 990          | 56              | 0.19              | R         | RL8755-560K   | 1000         | 2000            | 0.07              | CM        | 7103         |

## Coil Type

CC - Conformal coated

R - Radial lead

SMT - Surface mount toroid

CM - Common mode

SMC - Surface mount common mode

T - Toroid

HD - Heavy duty

SMCH - Surface mount, chip

TB - Toroid mounted on base

M - Molded

SMP - Surface mount, power

V - Varnished

MS - Molded, shielded

SMPS - Surface mount, power, shielded

VHD - Varnished heavy duty

**BOURNS®**

Tel. (877) 426-8767 • Fax (951) 781-5006

[www.bourns.com](http://www.bourns.com)

# Selector Guide

| Current (mA) | Inductance (µH) | Resistance (ohms) | Coil Type | Part Number   | Current (mA) | Inductance (µH) | Resistance (ohms) | Coil Type | Part Number   |
|--------------|-----------------|-------------------|-----------|---------------|--------------|-----------------|-------------------|-----------|---------------|
| 1000         | 2000            | 1.67              | TB        | 7025          | 1100         | 18              | 0.16              | CC        | 5300-16       |
| 1000         | 3000            | 0.1               | CM        | 7104          | 1100         | 33              | 0.124             | SMPS      | PM638S-330    |
| 1000         | 3900            | 1.67              | HD        | 1130-392K     | 1100         | 33              | 0.3               | SMP       | PM3308-330M   |
| 1000         | 4700            | 1.86              | HD        | 1130-472K     | 1100         | 33              | 0.334             | SMPS      | PM3316S-330M  |
| 1000         | 5000            | 0.125             | CM        | 7105          | 1100         | 39              | 0.12              | SMPS      | PM105SB-390L  |
| 1000         | 8000            | 3.34              | T         | 5725          | 1100         | 39              | 0.16              | SMP       | PM75-390K     |
| 1000         | 8000            | 3.34              | TB        | 6725          | 1100         | 47              | 0.17              | SMP       | PM104-470K    |
| 1000         | 20,000          | 0.25              | SMC       | PM3700-80     | 1100         | 47              | 0.17              | R         | RL875S-470L   |
| 1000         | 20,000          | 0.49              | CM        | 7514-RC       | 1100         | 47              | 0.18              | SMP       | PM75-470K     |
| 1008         | 33              | 0.075             | HD        | 5800-330      | 1100         | 56              | 0.31              | R         | RL85S-560K    |
| 1010         | 0.18            | 0.12              | CC        | 8230-02       | 1100         | 60              | 0.16              | SMT       | PM3604-15     |
| 1010         | 0.18            | 0.12              | M         | 9230-02       | 1100         | 68              | 0.14              | R         | RL89S-680K    |
| 1010         | 56              | 0.199             | SMP       | PM104-560K    | 1100         | 68              | 0.2               | R         | RL875-680K    |
| 1010         | 80              | 0.2               | SMT       | PM3604-20     | 1100         | 82              | 0.23              | R         | RL622-820K-RC |
| 1020         | 100             | 0.18              | R         | RL824-101K-RC | 1100         | 120             | 0.17              | SMPS      | PM125SH-121M  |
| 1025         | 0.22            | 0.08              | CC        | 78FR22K       | 1100         | 120             | 0.21              | R         | RL110S-121K   |
| 1025         | 0.22            | 0.14              | M         | 9130-04       | 1100         | 120             | 0.38              | SMPS      | PM124SH-121M  |
| 1030         | 56              | 0.37              | SMP       | PM135S-560K   | 1100         | 220             | 0.34              | R         | RL110-221K    |
| 1040         | 0.002           | 0.07              | SMCH      | PM0402C-2N0   | 1100         | 220             | 0.47              | SMPS      | PM5022S-221M  |
| 1040         | 3.3             | 0.11              | SMPS      | PM42S-3R3     | 1100         | 330             | 0.6               | R         | 6100-331K-RC  |
| 1040         | 8.2             | 0.118             | SMPS      | PM428S-8R2    | 1100         | 5000            | 0.28              | CM        | 7408-RC       |
| 1040         | 10              | 0.182             | SMP       | PM43-100M     | 1105         | 0.18            | 0.12              | M         | 9130-02       |
| 1040         | 82              | 0.14              | R         | RL824-820K-RC | 1110         | 9.3             | 0.094             | SMP       | PM620-09      |
| 1050         | 1               | 0.11              | SMCH      | PM1812H-1R0K  | 1110         | 22              | 0.18              | SMP       | PM54-220M     |
| 1050         | 27              | 0.142             | SMPS      | PM628S-270    | 1110         | 39              | 0.17              | SMPS      | PM745H-390M   |
| 1050         | 100             | 0.25              | SMPS      | PM125S-101M   | 1110         | 68              | 0.22              | SMP       | PM105-680K    |
| 1060         | 0.47            | 0.218             | CC        | 8250-R47K     | 1120         | 6.8             | 0.109             | SMPS      | PM428S-6R8    |
| 1060         | 27              | 0.16              | SMPS      | PM745B-270M   | 1120         | 18              | 0.111             | SMP       | PM73-180M     |
| 1060         | 270             | 0.56              | SMPS      | PM1275H-271M  | 1120         | 22              | 0.13              | SMPS      | PM745B-220M   |
| 1070         | 1               | 0.07              | MS        | 9250-102      | 1130         | 2.7             | 0.184             | CC        | 8250-2R7K     |
| 1070         | 1               | 0.07              | MS        | 9250A-102     | 1130         | 100             | 0.155             | CM        | 3000-101      |
| 1070         | 22              | 0.129             | SMP       | PM73-220M     | 1132         | 2.2             | 0.156             | V         | 70F226AI      |
| 1080         | 47              | 0.18              | SMPS      | PM745H-470M   | 1140         | 39              | 0.1               | R         | RL822-390K-RC |
| 1080         | 180             | 0.58              | R         | 6000-181K     | 1140         | 82              | 0.2               | SMPS      | PM125S-820M   |
| 1090         | 47              | 0.33              | SMP       | PM135S-470K   | 1150         | 4.7             | 0.109             | SMP       | PM43-4R7M     |
| 1090         | 120             | 0.166             | CM        | 3000-121      | 1150         | 150             | 0.37              | R         | 6000-151K     |
| 1091         | 2.7             | 0.168             | V         | 70F276AI      | 1160         | 33              | 0.11              | SMPS      | PM105SB-330L  |
| 1100         | 0.1             | 0.07              | CC        | 8230-94       | 1160         | 220             | 0.39              | SMPS      | PM1275H-221M  |
| 1100         | 0.1             | 0.07              | M         | 9230-94       | 1170         | 5.6             | 0.101             | SMPS      | PM428S-5R6    |
| 1100         | 0.12            | 0.08              | CC        | 8230-96       | 1170         | 22              | 0.13              | SMPS      | PM735H-220M   |
| 1100         | 0.12            | 0.08              | M         | 9230-96       | 1170         | 25              | 0.098             | SMT       | PM3602-25     |
| 1100         | 0.15            | 0.1               | CC        | 8230-00       | 1170         | 33              | 0.09              | R         | RL822-330K-RC |
| 1100         | 0.15            | 0.1               | M         | 9230-00       | 1170         | 56              | 0.19              | SMP       | PM105-560K    |
| 1100         | 0.22            | 0.067             | MS        | 9250-221      | 1180         | 4.7             | 0.18              | SMT       | PM7518-4R7M   |
| 1100         | 0.22            | 0.067             | MS        | 9250A-221     | 1180         | 4.7             | 0.18              | SMT       | PM7518-4R7M   |
| 1100         | 0.68            | 0.15              | M         | 9310-08       | 1180         | 270             | 0.52              | R         | 6100-271K-RC  |
| 1100         | 6.8             | 0.065             | SMP       | PM620-08      | 1190         | 68              | 0.14              | SMT       | PM3604-68     |
| 1100         | 6.8             | 0.113             | V         | 3500-6R8M     | 1200         | 0.15            | 0.1               | M         | 9130-00       |
| 1100         | 8.2             | 0.116             | V         | 3500-8R2M     | 1200         | 3.9             | 0.26              | SMCH      | PM1008S-3R9M  |
| 1100         | 10              | 0.16              | SMP       | PM1608-100M   | 1200         | 5.6             | 0.092             | V         | 3500-5R6M     |
| 1100         | 12              | 0.153             | SMPS      | PMS18S-120    | 1200         | 6.8             | 0.065             | SMPS      | PM1608S-6R8M  |
| 1100         | 15              | 0.103             | SMPS      | PMS28S-150    | 1200         | 10              | 0.124             | SMPS      | PMS18S-100    |

## Coil Type

CC - Conformal coated

R - Radial lead

SMT - Surface mount toroid

CM - Common mode

SMC - Surface mount common mode

T - Toroid

HD - Heavy duty

SMCH - Surface mount, chip

TB - Toroid mounted on base

M - Molded

SMP - Surface mount, power

V - Varnished

MS - Molded, shielded

SMPS - Surface mount, power, shielded

VHD - Varnished heavy duty

**BOURNS®**

Tel. (877) 426-8767 • Fax (951) 781-5006

[www.bourns.com](http://www.bourns.com)



# Selector Guide

| Current (mA) | Inductance (µH) | Resistance (ohms) | Coil Type | Part Number   | Current (mA) | Inductance (µH) | Resistance (ohms) | Coil Type | Part Number   |
|--------------|-----------------|-------------------|-----------|---------------|--------------|-----------------|-------------------|-----------|---------------|
| 1200         | 12              | 0.076             | SMPS      | PM5285-120    | 1280         | 10              | 0.033             | HD        | 5800-100      |
| 1200         | 15              | 0.09              | SMPS      | PM7032S-150M  | 1280         | 12              | 0.037             | HD        | 5800-120      |
| 1200         | 15              | 0.15              | CC        | 5300-15       | 1280         | 15              | 0.04              | HD        | 5800-150      |
| 1200         | 15              | 0.23              | SMP       | PM1608-150M   | 1280         | 18              | 0.044             | HD        | 5800-180      |
| 1200         | 20              | 0.092             | SMT       | PM3602-5      | 1280         | 22              | 0.05              | HD        | 5800-220      |
| 1200         | 22              | 0.128             | SMPS      | PM6285-220    | 1280         | 27              | 0.058             | HD        | 5800-270      |
| 1200         | 27              | 0.109             | SMPS      | PM6385-270    | 1280         | 47              | 0.17              | SMP       | PM105-470K    |
| 1200         | 33              | 0.13              | SMP       | PM75-330K     | 1280         | 50              | 0.12              | SMT       | PM3604-50     |
| 1200         | 39              | 0.15              | R         | RL875S-390L   | 1290         | 2.2             | 0.142             | CC        | 8250-2R2K     |
| 1200         | 39              | 0.151             | SMP       | PM104-390M    | 1290         | 18              | 0.1               | SMPS      | PM745B-180M   |
| 1200         | 47              | 0.24              | R         | RL855-470K    | 1290         | 22              | 0.07              | R         | RL822-220K-RC |
| 1200         | 56              | 0.11              | R         | RL895-560K    | 1290         | 47              | 0.11              | R         | RL824-470K-RC |
| 1200         | 56              | 0.18              | R         | RL875-560K    | 1300         | 0.18            | 0.047             | MS        | 9250-181      |
| 1200         | 68              | 0.17              | SMP       | PM3340-680M   | 1300         | 0.18            | 0.047             | MS        | 9250A-181     |
| 1200         | 68              | 0.21              | R         | RL622-680K-RC | 1300         | 2.7             | 0.14              | SMCH      | PM1008S-2R7M  |
| 1200         | 100             | 0.19              | R         | RL1105-101K   | 1300         | 10              | 0.065             | SMPS      | PM528S-100    |
| 1200         | 100             | 0.22              | SMP       | PM3340-101M   | 1300         | 11.6            | 0.202             | SMP       | PM610-05      |
| 1200         | 100             | 0.31              | SMPS      | PM1245H-101M  | 1300         | 15              | 0.14              | SMP       | PM54-150M     |
| 1200         | 220             | 0.328             | SMPS      | PM12565S-221M | 1300         | 22              | 0.096             | SMPS      | PM638S-220    |
| 1200         | 220             | 0.38              | SMP       | PM5022-221M   | 1300         | 22              | 0.207             | SMPS      | PM3316S-220M  |
| 1200         | 470             | 0.38              | HD        | 5900-471      | 1300         | 22              | 0.23              | SMP       | PM3308-220M   |
| 1200         | 1000            | 0.22              | CM        | 7351          | 1300         | 27              | 0.12              | SMP       | PM75-270K     |
| 1220         | 0.39            | 0.161             | CC        | 8250-R39K     | 1300         | 33              | 0.14              | R         | RL875S-330L   |
| 1220         | 0.56            | 0.135             | M         | 9310-07       | 1300         | 39              | 0.14              | R         | RL875-390K    |
| 1220         | 27              | 0.08              | R         | RL822-270K-RC | 1300         | 39              | 0.21              | R         | RL855-390K    |
| 1220         | 33              | 0.14              | SMPS      | PM745H-330M   | 1300         | 47              | 0.1               | R         | RL895-470K    |
| 1225         | 0.47            | 0.12              | M         | 9310-06       | 1300         | 47              | 0.15              | R         | RL875-470K    |
| 1230         | 8.5             | 0.324             | SMP       | PM600-09      | 1300         | 58              | 0.18              | R         | RL622-560K-RC |
| 1230         | 18              | 0.15              | SMP       | PM54-180M     | 1300         | 82              | 0.23              | R         | 6000-820K     |
| 1230         | 27              | 0.14              | SMPS      | PM745H-270M   | 1300         | 82              | 0.26              | SMPS      | PM1245H-820M  |
| 1240         | 15              | 0.104             | SMP       | PM73-150M     | 1300         | 100             | 0.16              | SMPS      | PM1255H-101M  |
| 1240         | 68              | 0.13              | R         | RL824-680K-RC | 1300         | 100             | 0.28              | SMP       | PM3316-101M   |
| 1250         | 8.9             | 0.116             | SMPS      | PM518S-8R9    | 1300         | 150             | 0.293             | SMPS      | PM5022S-151M  |
| 1250         | 20              | 0.086             | SMT       | PM3602-20     | 1300         | 180             | 0.31              | R         | RL110-181K    |
| 1250         | 39              | 0.25              | SMP       | PM1355-390K   | 1300         | 180             | 0.35              | SMPS      | PM1275H-181M  |
| 1250         | 56              | 0.12              | R         | RL824-560K-RC | 1300         | 330             | 0.336             | HD        | 1110-331K     |
| 1250         | 100             | 0.304             | SMPS      | PM1045H-101   | 1300         | 820             | 0.59              | HD        | 1120-821K     |
| 1250         | 120             | 0.32              | R         | 6000-121K     | 1300         | 1000            | 0.4               | T         | 2124-         |
| 1250         | 1125            | 1.32              | TB        | 7020          | 1300         | 1000            | 0.801             | HD        | 5608          |
| 1250         | 4500            | 2.64              | T         | 5720          | 1300         | 2200            | 1.02              | HD        | 1130-222K     |
| 1250         | 4500            | 2.64              | TB        | 6720          | 1300         | 2700            | 1.14              | HD        | 1130-272K     |
| 1260         | 18              | 0.11              | SMPS      | PM735H-180M   | 1300         | 3300            | 1.27              | HD        | 1130-332K     |
| 1260         | 33              | 0.12              | SMP       | PM104-330M    | 1300         | 10,000          | 2.76              | HD        | 1140-103K     |
| 1260         | 68              | 0.17              | SMPS      | PM1255-680M   | 1300         | 12,000          | 3.04              | HD        | 1140-123K     |
| 1264         | 0.47            | 0.125             | V         | 70F477AP      | 1300         | 15,000          | 3.39              | HD        | 1140-153K     |
| 1270         | 0.12            | 0.09              | M         | 9130-96       | 1320         | 2.2             | 0.075             | SMPS      | PM425-2R2     |
| 1280         | 2.7             | 0.105             | SMPS      | PM425-2R7     | 1320         | 4.7             | 0.072             | SMPS      | PM428S-4R7    |
| 1280         | 3.9             | 0.019             | HD        | 5800-3R9      | 1320         | 4.9             | 0.137             | SMP       | PM600-08      |
| 1280         | 4.7             | 0.022             | HD        | 5800-4R7      | 1320         | 18              | 0.095             | SMPS      | PM628S-180    |
| 1280         | 5.6             | 0.024             | HD        | 5800-5R6      | 1320         | 27              | 0.1               | SMPS      | PM1055B-270M  |
| 1280         | 6.8             | 0.026             | HD        | 5800-6R8      | 1320         | 220             | 0.35              | R         | 6100-221K-RC  |
| 1280         | 8.2             | 0.028             | HD        | 5800-8R2      | 1330         | 3.9             | 0.094             | SMP       | PM43-3R9M     |

## Coil Type

CC - Conformal coated

R - Radial lead

SMT - Surface mount toroid

CM - Common mode

SMC - Surface mount common mode

T - Toroid

HD - Heavy duty

SMCH - Surface mount, chip

TB - Toroid mounted on base

M - Molded

SMP - Surface mount, power

V - Varnished

MS - Molded, shielded

SMPS - Surface mount, power, shielded

VHD - Varnished heavy duty

**BOURNS®**

Tel. (877) 426-8767 • Fax (951) 781-5006

[www.bourns.com](http://www.bourns.com)

# Selector Guide

| Current (mA) | Inductance (µH) | Resistance (ohms) | Coil Type | Part Number   | Current (mA) | Inductance (µH) | Resistance (ohms) | Coil Type | Part Number   |
|--------------|-----------------|-------------------|-----------|---------------|--------------|-----------------|-------------------|-----------|---------------|
| 1330         | 33              | 0.222             | SMP       | PM1355-330K   | 1500         | 1               | 0.03              | SMP       | PM52-1R0M     |
| 1350         | 0.1             | 0.08              | M         | 9130-94       | 1500         | 1               | 0.04              | SMP       | PM32-1R0M     |
| 1350         | 15              | 0.099             | SMPS      | PM735H-150M   | 1500         | 1.4             | 0.04              | SMP       | PM52-1R4M     |
| 1350         | 40              | 0.11              | SMT       | PM3604-10     | 1500         | 1.4             | 0.05              | SMP       | PM32-1R4M     |
| 1360         | 0.001           | 0.045             | SMCH      | PM0402C-1N0   | 1500         | 1.8             | 0.05              | SMP       | PM52-1R8M     |
| 1360         | 68              | 0.21              | R         | 6000-680K     | 1500         | 2.2             | 0.06              | SMP       | PM52-2R2M     |
| 1370         | 39              | 0.14              | SMP       | PM105-390M    | 1500         | 2.4             | 0.19              | V         | 4606          |
| 1380         | 56              | 0.15              | SMPS      | PM1255-560M   | 1500         | 2.7             | 0.07              | SMP       | PM52-2R7M     |
| 1390         | 2.2             | 0.13              | SMT       | PM7518-2R2M   | 1500         | 3.3             | 0.08              | SMP       | PM52-3R3M     |
| 1390         | 2.2             | 0.13              | SMT       | PM7518-2R2M   | 1500         | 4.7             | 0.053             | V         | 3500-4R7M     |
| 1390         | 12              | 0.09              | SMP       | PM73-120M     | 1500         | 4.7             | 0.09              | SMP       | PM1608-4R7M   |
| 1390         | 15              | 0.08              | SMPS      | PM745B-150M   | 1500         | 8.2             | 0.087             | CC        | 5300-12       |
| 1400         | 0.33            | 0.09              | M         | 9310-04       | 1500         | 10              | 0.064             | SMPS      | PM70325-100M  |
| 1400         | 0.33            | 0.122             | CC        | 8250-R33K     | 1500         | 10              | 0.095             | CC        | 5300-13       |
| 1400         | 4.7             | 0.06              | SMPS      | PM1608S-4R7M  | 1500         | 10              | 0.11              | V         | 4622          |
| 1400         | 6.2             | 0.096             | SMPS      | PM518S-6R2    | 1500         | 15              | 0.15              | SMP       | PM3308-150M   |
| 1400         | 6.8             | 0.13              | SMP       | PM1608-6R8M   | 1500         | 15              | 0.15              | SMPS      | PM3316S-150M  |
| 1400         | 7.9             | 0.094             | SMP       | PM620-11      | 1500         | 18              | 0.092             | SMPS      | PM638S-180    |
| 1400         | 12              | 0.11              | CC        | 5300-14       | 1500         | 22              | 0.11              | SMP       | PM75-220K     |
| 1400         | 12              | 0.12              | SMP       | PM54-120M     | 1500         | 32              | 0.096             | SMT       | PM3604-8      |
| 1400         | 15              | 0.084             | SMPS      | PM628S-150    | 1500         | 33              | 0.12              | SMP       | PM105-330M    |
| 1400         | 22              | 0.11              | SMPS      | PM745H-220M   | 1500         | 33              | 0.13              | R         | RL875-330K    |
| 1400         | 33              | 0.07              | R         | RL895-330K    | 1500         | 39              | 0.1               | R         | RL622-390K-RC |
| 1400         | 33              | 0.17              | R         | RL855-330K    | 1500         | 47              | 0.12              | SMPS      | PM1255-470M   |
| 1400         | 39              | 0.08              | R         | RL895-390K    | 1500         | 68              | 0.12              | SMPS      | PM1255H-680M  |
| 1400         | 39              | 0.095             | R         | RL824-390K-RC | 1500         | 68              | 0.15              | R         | RL110S-680K   |
| 1400         | 47              | 0.16              | R         | RL622-470K-RC | 1500         | 68              | 0.2               | SMP       | PM3316-680M   |
| 1400         | 82              | 0.14              | SMPS      | PM1255H-820M  | 1500         | 68              | 0.22              | SMPS      | PM1245H-680M  |
| 1400         | 82              | 0.16              | R         | RL110S-820K   | 1500         | 112.5           | 0.245             | TB        | 7005          |
| 1400         | 100             | 0.28              | R         | 6000-101K     | 1500         | 120             | 0.2               | R         | RL110-121K    |
| 1400         | 150             | 0.23              | R         | RL110-151K    | 1500         | 150             | 0.25              | SMP       | PM5022-151M   |
| 1400         | 680             | 0.33              | T         | 2122-         | 1500         | 250             | 0.47              | TB        | 7010          |
| 1400         | 820             | 0.37              | T         | 2123-         | 1500         | 400             | 0.64              | TB        | 7015          |
| 1420         | 22              | 0.08              | SMPS      | PM1055B-220M  | 1500         | 450             | 0.49              | T         | 5705          |
| 1420         | 68              | 0.213             | SMPS      | PM1045H-680   | 1500         | 450             | 0.49              | TB        | 6705          |
| 1420         | 150             | 0.28              | SMPS      | PM1275H-151M  | 1500         | 500             | 0.12              | CM        | 7350          |
| 1440         | 3.3             | 0.087             | SMP       | PM43-3R3M     | 1500         | 560             | 0.3               | T         | 2121-         |
| 1440         | 3.9             | 0.065             | SMPS      | PM428S-3R9    | 1500         | 1000            | 0.284             | T         | 2100LL-102    |
| 1440         | 10              | 0.081             | SMP       | PM73-100M     | 1500         | 1000            | 0.98              | T         | 5710          |
| 1440         | 10              | 0.1               | SMP       | PM54-100M     | 1500         | 1000            | 0.98              | TB        | 6710          |
| 1440         | 27              | 0.1               | SMP       | PM104-270M    | 1500         | 1600            | 1.27              | T         | 5715          |
| 1443         | 1.5             | 0.096             | V         | 70F156AI      | 1500         | 1600            | 1.27              | TB        | 6715          |
| 1443         | 1.8             | 0.096             | V         | 70F186AI      | 1500         | 5000            | 1.08              | HD        | 5625          |
| 1450         | 15              | 0.063             | SMT       | PM3602-15     | 1500         | 10,000          | 0.15              | SMC       | PM3700-70     |
| 1450         | 180             | 0.31              | R         | 6100-181K-RC  | 1500         | 10,000          | 0.22              | CM        | 7512-RC       |
| 1470         | 0.15            | 0.037             | MS        | 9250-151      | 1500         | 10,000          | 1.56              | HD        | 5632          |
| 1470         | 0.15            | 0.037             | MS        | 9250A-151     | 1510         | 27              | 0.17              | SMP       | PM1355-270K   |
| 1480         | 1.8             | 0.107             | CC        | 8250-1R8K     | 1520         | 18              | 0.089             | SMPS      | PM745H-180M   |
| 1480         | 12              | 0.083             | SMPS      | PM735H-120M   | 1530         | 0.12            | 0.034             | MS        | 9250-121      |
| 1480         | 56              | 0.18              | R         | 6000-560K     | 1530         | 0.12            | 0.034             | MS        | 9250A-121     |
| 1490         | 27              | 0.1               | R         | RL875S-270L   | 1540         | 18              | 0.061             | R         | RL822-180K-RC |
| 1490         | 33              | 0.086             | R         | RL824-330K-RC | 1550         | 12              | 0.07              | SMPS      | PM628S-120    |

## Coil Type

CC - Conformal coated

R - Radial lead

SMT - Surface mount toroid

CM - Common mode

SMC - Surface mount common mode

T - Toroid

HD - Heavy duty

SMCH - Surface mount, chip

TB - Toroid mounted on base

M - Molded

SMP - Surface mount, power

V - Varnished

MS - Molded, shielded

SMPS - Surface mount, power, shielded

VHD - Varnished heavy duty

**BOURNS®**

Tel. (877) 426-8767 • Fax (951) 781-5006

[www.bourns.com](http://www.bourns.com)

# Selector Guide

| Current (mA) | Inductance (µH) | Resistance (ohms) | Coil Type | Part Number   | Current (mA) | Inductance (µH) | Resistance (ohms) | Coil Type | Part Number   |
|--------------|-----------------|-------------------|-----------|---------------|--------------|-----------------|-------------------|-----------|---------------|
| 1560         | 1.5             | 0.096             | CC        | 8250-1R5K     | 1625         | 0.27            | 0.09              | CC        | 8250-R27K     |
| 1560         | 27              | 0.082             | R         | RL824-270K-RC | 1650         | 10              | 0.07              | SMPS      | PM745B-100M   |
| 1570         | 3.3             | 0.049             | SMPS      | PM4285-3R3    | 1650         | 20              | 0.076             | SMT       | PM3604-5      |
| 1570         | 12              | 0.07              | SMPS      | PM745B-120M   | 1650         | 39              | 0.11              | SMPS      | PM1255-390M   |
| 1580         | 2.7             | 0.079             | SMP       | PM43-2R7M     | 1660         | 15              | 0.075             | SMPS      | PM745H-150M   |
| 1580         | 18              | 0.08              | SMPS      | PM105SB-180M  | 1666         | 1.2             | 0.072             | V         | 70F126AI      |
| 1600         | 2.7             | 0.043             | SMPS      | PM4285-2R7    | 1670         | 1               | 0.103             | SMT       | PM7518-1R0M   |
| 1600         | 3.3             | 0.055             | SMPS      | PM16085-3R3M  | 1670         | 1               | 0.103             | SMT       | PM7518-1R0M   |
| 1600         | 3.9             | 0.05              | V         | 3500-3R9M     | 1690         | 0.33            | 0.7               | V         | 70F337AP      |
| 1600         | 4.5             | 0.065             | SMP       | PM620-10      | 1700         | 4.7             | 0.068             | CC        | 5300-09       |
| 1600         | 5.4             | 0.076             | SMPS      | PM5185-5R4    | 1700         | 6.8             | 0.049             | SMPS      | PM7032S-6R8M  |
| 1600         | 5.6             | 0.074             | CC        | 5300-10       | 1700         | 10              | 0.065             | SMPS      | PM6285-100    |
| 1600         | 6.8             | 0.08              | CC        | 5300-11       | 1700         | 12              | 0.053             | SMPS      | PM6385-120    |
| 1600         | 8.2             | 0.053             | SMPS      | PM5285-8R2    | 1700         | 22              | 0.06              | R         | RL895-220K    |
| 1600         | 15              | 0.057             | SMPS      | PM6385-150    | 1700         | 22              | 0.12              | R         | RL855-220K    |
| 1600         | 18              | 0.1               | SMP       | PM75-180K     | 1700         | 27              | 0.08              | R         | RL622-270K-RC |
| 1600         | 22              | 0.08              | R         | RL8755-220L   | 1700         | 27              | 0.11              | R         | RL875-270K    |
| 1600         | 22              | 0.088             | SMP       | PM104-220M    | 1700         | 56              | 0.11              | SMPS      | PM1255H-560M  |
| 1600         | 27              | 0.06              | R         | RL895-270K    | 1700         | 100             | 0.16              | R         | RL110-101K    |
| 1600         | 27              | 0.14              | R         | RL855-270K    | 1700         | 100             | 0.207             | SMPS      | PM5022S-101M  |
| 1600         | 33              | 0.078             | SMT       | PM3604-33     | 1700         | 100             | 0.22              | SMPS      | PM1275H-101M  |
| 1600         | 33              | 0.09              | R         | RL622-330K-RC | 1700         | 330             | 0.23              | T         | 2118-         |
| 1600         | 47              | 0.1               | SMP       | PM3340-470M   | 1700         | 390             | 0.25              | T         | 2119-         |
| 1600         | 56              | 0.11              | R         | RL1105-560K   | 1700         | 820             | 0.39              | T         | 2100HT-821    |
| 1600         | 100             | 0.09              | HD        | 5900-101      | 1700         | 4000            | 0.173             | CM        | 8101          |
| 1600         | 120             | 0.113             | HD        | 5900-121      | 1700         | 4000            | 0.173             | CM        | 8101          |
| 1600         | 120             | 0.25              | SMPS      | PM1275H-121M  | 1720         | 1               | 0.045             | SMPS      | PM425-1R0     |
| 1600         | 150             | 0.129             | HD        | 5900-151      | 1720         | 10              | 0.061             | SMPS      | PM735H-100M   |
| 1600         | 150             | 0.181             | HD        | 1110-151K     | 1720         | 15              | 0.07              | SMPS      | PM105SB-150M  |
| 1600         | 180             | 0.15              | HD        | 5900-181      | 1720         | 22              | 0.076             | R         | RL824-220K-RC |
| 1600         | 180             | 0.217             | HD        | 1110-181K     | 1730         | 18              | 0.081             | SMP       | PM104-180M    |
| 1600         | 220             | 0.162             | HD        | 5900-221      | 1750         | 2.2             | 0.072             | SMP       | PM43-2R2M     |
| 1600         | 220             | 0.24              | HD        | 1110-221K     | 1750         | 15              | 0.058             | R         | RL822-150K-RC |
| 1600         | 270             | 0.208             | HD        | 5900-271      | 1750         | 200             | 0.32              | TB        | 7009          |
| 1600         | 270             | 0.3               | HD        | 1110-271K     | 1750         | 312.5           | 0.43              | TB        | 7014          |
| 1600         | 330             | 0.212             | HD        | 5900-331      | 1750         | 562.5           | 0.46              | TB        | 7019          |
| 1600         | 330             | 0.305             | HD        | 1120-331K     | 1750         | 800             | 0.64              | T         | 5709          |
| 1600         | 390             | 0.281             | HD        | 5900-391      | 1750         | 800             | 0.64              | TB        | 6709          |
| 1600         | 390             | 0.32              | HD        | 1120-391K     | 1750         | 1000            | 0.58              | TB        | 7024          |
| 1600         | 470             | 0.28              | T         | 2120-         | 1750         | 1250            | 0.85              | T         | 5714          |
| 1600         | 470             | 0.355             | HD        | 1120-471K     | 1750         | 1250            | 0.85              | TB        | 6714          |
| 1600         | 560             | 0.388             | HD        | 1120-561K     | 1750         | 2250            | 0.92              | T         | 5719          |
| 1600         | 680             | 0.43              | HD        | 1120-681K     | 1750         | 2250            | 0.92              | TB        | 6719          |
| 1600         | 820             | 0.257             | T         | 2100LL-821    | 1750         | 4000            | 1.16              | T         | 5724          |
| 1600         | 1000            | 0.43              | T         | 2100HT-102    | 1750         | 4000            | 1.16              | TB        | 6724          |
| 1600         | 1800            | 0.705             | HD        | 1130-182K     | 1760         | 27              | 0.11              | SMP       | PM105-270M    |
| 1600         | 2500            | 0.69              | HD        | 5618          | 1770         | 18              | 0.071             | R         | RL824-180K-RC |
| 1600         | 6800            | 1.76              | HD        | 1140-682K     | 1770         | 47              | 0.16              | R         | 6000-470K     |
| 1600         | 8000            | 0.2               | CM        | 7510-RC       | 1790         | 0.1             | 0.025             | MS        | 9250-101      |
| 1600         | 8200            | 1.95              | HD        | 1140-822K     | 1790         | 0.1             | 0.025             | MS        | 9250A-101     |
| 1610         | 22              | 0.15              | SMP       | PM1355-220K   | 1800         | 1.5             | 0.093             | V         | 4604          |
| 1610         | 150             | 0.24              | R         | 6100-151K-RC  | 1800         | 2.2             | 0.05              | SMPS      | PM16085-2R2M  |

## Coil Type

CC - Conformal coated

R - Radial lead

SMT - Surface mount toroid

CM - Common mode

SMC - Surface mount common mode

T - Toroid

HD - Heavy duty

SMCH - Surface mount, chip

TB - Toroid mounted on base

M - Molded

SMP - Surface mount, power

V - Varnished

MS - Molded, shielded

SMPS - Surface mount, power, shielded

VHD - Varnished heavy duty

**BOURNS®**

Tel. (877) 426-8767 • Fax (951) 781-5006

[www.bourns.com](http://www.bourns.com)

# Selector Guide

| Current (mA) | Inductance (µH) | Resistance (ohms) | Coil Type | Part Number   | Current (mA) | Inductance (µH) | Resistance (ohms) | Coil Type | Part Number   |
|--------------|-----------------|-------------------|-----------|---------------|--------------|-----------------|-------------------|-----------|---------------|
| 1800         | 3.9             | 0.06              | CC        | 5300-08       | 2000         | 8.3             | 0.202             | SMP       | PM610-07      |
| 1800         | 4.7             | 0.043             | SMPS      | PM7032S-4R7M  | 2000         | 10              | 0.038             | SMPS      | PM638S-100    |
| 1800         | 6.2             | 0.045             | SMPS      | PM528S-6R2    | 2000         | 10              | 0.101             | SMPS      | PM3316S-100M  |
| 1800         | 15              | 0.09              | SMP       | PM75-150K     | 2000         | 10              | 0.11              | SMP       | PM3308-100M   |
| 1800         | 22              | 0.09              | R         | RL875-220K    | 2000         | 12              | 0.059             | R         | RL824-120K-RC |
| 1800         | 33              | 0.1               | SMPS      | PM125S-330M   | 2000         | 12              | 0.08              | SMP       | PM75-120K     |
| 1800         | 47              | 0.075             | SMPS      | PM125SH-470M  | 2000         | 18              | 0.05              | R         | RL895-180K    |
| 1800         | 47              | 0.1               | R         | RL110S-470K   | 2000         | 18              | 0.1               | R         | RL855-180M    |
| 1800         | 47              | 0.14              | SMP       | PM3316-470M   | 2000         | 22              | 0.07              | R         | RL622-220K-RC |
| 1800         | 56              | 0.19              | SMPS      | PM124SH-560M  | 2000         | 27              | 0.08              | SMPS      | PM125S-270M   |
| 1800         | 100             | 0.19              | SMP       | PM5022-101M   | 2000         | 33              | 0.08              | SMP       | PM3340-330M   |
| 1800         | 120             | 0.23              | R         | 6100-121K-RC  | 2000         | 39              | 0.068             | SMPS      | PM125SH-390M  |
| 1800         | 270             | 0.21              | T         | 2117-         | 2000         | 39              | 0.076             | R         | RL110S-390K   |
| 1800         | 680             | 0.35              | T         | 2100HT-681    | 2000         | 68              | 0.138             | SMPS      | PM5022S-680M  |
| 1800         | 2000            | 0.11              | CM        | 7406-RC       | 2000         | 68.75           | 0.12              | TB        | 7004          |
| 1820         | 12              | 0.05              | R         | RL822-120K-RC | 2000         | 82              | 0.06              | HD        | 5900-820      |
| 1830         | 10              | 0.04              | SMT       | PM3602-10     | 2000         | 100             | 0.216             | VHD       | 5250          |
| 1840         | 1.2             | 0.07              | CC        | 8250-1R2K     | 2000         | 120             | 0.127             | HD        | 1110-121K     |
| 1850         | 3.8             | 0.137             | SMP       | PM600-10      | 2000         | 270             | 0.213             | HD        | 1120-271K     |
| 1850         | 8.6             | 0.058             | SMPS      | PM628S-8R6    | 2000         | 275             | 0.24              | T         | 5704          |
| 1850         | 39              | 0.1               | R         | 6000-390K     | 2000         | 275             | 0.24              | TB        | 6704          |
| 1860         | 5.7             | 0.094             | SMP       | PM610-06      | 2000         | 470             | 0.29              | T         | 2100HT-471    |
| 1860         | 12              | 0.06              | SMPS      | PM745H-120M   | 2000         | 500             | 0.26              | VHD       | 5256          |
| 1870         | 15              | 0.07              | SMP       | PM104-150M    | 2000         | 500             | 0.378             | HD        | 5607          |
| 1890         | 6.8             | 0.05              | SMPS      | PM735H-6R8M   | 2000         | 600             | 0.03              | CM        | 7106          |
| 1890         | 18              | 0.109             | SMP       | PM135S-180K   | 2000         | 820             | 0.221             | SMT       | PM2110-821K   |
| 1900         | 0.22            | 0.055             | M         | 9310-02       | 2000         | 820             | 0.26              | T         | 2223-         |
| 1900         | 3.3             | 0.036             | V         | 3500-3R3M     | 2000         | 820             | 0.44              | T         | 2200HT-821    |
| 1900         | 3.3             | 0.054             | CC        | 5300-07       | 2000         | 1000            | 0.04              | CM        | 7107          |
| 1900         | 5.3             | 0.038             | SMPS      | PMS28S-5R3    | 2000         | 1000            | 0.05              | CM        | 7112          |
| 1900         | 8               | 0.037             | SMT       | PM3602-8      | 2000         | 1000            | 0.426             | HD        | 1130-102K     |
| 1900         | 18              | 0.08              | R         | RL875-180K    | 2000         | 1200            | 0.426             | HD        | 1130-122K     |
| 1900         | 47              | 0.128             | SMPS      | PM104SH-470   | 2000         | 1500            | 0.518             | HD        | 1130-152K     |
| 1900         | 47              | 0.15              | SMPS      | PM124SH-470M  | 2000         | 2000            | 0.06              | CM        | 7108          |
| 1900         | 82              | 0.14              | R         | RL110-820K    | 2000         | 2000            | 0.075             | CM        | 7113          |
| 1900         | 100             | 0.148             | SMPS      | PM12565S-101M | 2000         | 3000            | 0.075             | CM        | 7109          |
| 1900         | 560             | 0.32              | T         | 2100HT-561    | 2000         | 3000            | 0.085             | CM        | 7114          |
| 1900         | 1000            | 0.244             | SMT       | PM2110-102K   | 2000         | 4700            | 1.14              | HD        | 1140-472K     |
| 1900         | 1000            | 0.28              | T         | 2224-         | 2000         | 5000            | 0.07              | SMC       | PM3700-60     |
| 1900         | 1000            | 0.49              | T         | 2200HT-102    | 2000         | 5000            | 0.11              | CM        | 7115          |
| 1910         | 25              | 0.054             | SMT       | PM3604-25     | 2000         | 5600            | 1.6               | HD        | 1140-562K     |
| 1930         | 15              | 0.065             | R         | RL824-150K-RC | 2000         | 8000            | 0.2               | CM        | 7116          |
| 1940         | 12              | 0.07              | SMPS      | PM105SB-120M  | 2000         | 50,000          | 0.2               | CM        | 7121          |
| 1950         | 1.8             | 0.064             | SMP       | PM43-1R8M     | 2020         | 3.8             | 0.065             | SMP       | PM620-12      |
| 1950         | 4.1             | 0.057             | SMPS      | PMS18S-4R1    | 2020         | 20              | 0.049             | SMT       | PM3604-20     |
| 1950         | 82              | 0.16              | SMPS      | PM127SH-820M  | 2040         | 2.2             | 0.031             | SMPS      | PM428S-2R2    |
| 1960         | 10              | 0.045             | R         | RL822-100K-RC | 2041         | 1               | 0.048             | V         | 70F106AI      |
| 1960         | 22              | 0.1               | SMP       | PM105-220M    | 2050         | 0.22            | 0.056             | CC        | 8250-R22K     |
| 1980         | 100             | 0.16              | R         | 6100-101K-RC  | 2050         | 33              | 0.09              | R         | 6000-330K     |
| 2000         | 1               | 0.05              | V         | 4602          | 2060         | 10              | 0.06              | SMPS      | PM105SB-100M  |
| 2000         | 1.8             | 0.09              | SMCH      | PM1008S-1R8M  | 2080         | 1               | 0.054             | CC        | 8250-1R0K     |
| 2000         | 3.3             | 0.08              | SMP       | PM1608-3R3M   | 2090         | 15              | 0.089             | SMP       | PM135S-150K   |

## Coil Type

CC - Conformal coated

R - Radial lead

SMT - Surface mount toroid

CM - Common mode

SMC - Surface mount common mode

T - Toroid

HD - Heavy duty

SMCH - Surface mount, chip

TB - Toroid mounted on base

M - Molded

SMP - Surface mount, power

V - Varnished

MS - Molded, shielded

SMPS - Surface mount, power, shielded

VHD - Varnished heavy duty

**BOURNS®**

Tel. (877) 426-8767 • Fax (951) 781-5006

[www.bourns.com](http://www.bourns.com)

# Selector Guide

| Current (mA) | Inductance (µH) | Resistance (ohms) | Coil Type | Part Number   | Current (mA) | Inductance (µH) | Resistance (ohms) | Coil Type | Part Number   |
|--------------|-----------------|-------------------|-----------|---------------|--------------|-----------------|-------------------|-----------|---------------|
| 2100         | 6.8             | 0.035             | R         | RL822-6R8K-RC | 2300         | 10              | 0.07              | SMP       | PM75-100K     |
| 2100         | 7.3             | 0.054             | SMPS      | PM6285-7R3    | 2300         | 15              | 0.056             | R         | RL622-150K-RC |
| 2100         | 15              | 0.05              | R         | RL895-150K    | 2300         | 27              | 0.051             | SMPS      | PM125SH-270M  |
| 2100         | 15              | 0.09              | R         | RL855-150M    | 2300         | 56              | 0.092             | R         | RL110-560K    |
| 2100         | 33              | 0.057             | SMPS      | PM125SH-330M  | 2300         | 68              | 0.13              | SMP       | PM5022-680M   |
| 2100         | 33              | 0.057             | R         | RL1105-330K   | 2300         | 470             | 0.124             | T         | 2100LL-471    |
| 2100         | 33              | 0.1               | SMP       | PM3316-330M   | 2300         | 470             | 0.19              | T         | 2220-         |
| 2100         | 39              | 0.13              | SMPS      | PM1245H-390M  | 2300         | 5000            | 0.1               | CM        | 7508-RC       |
| 2100         | 68              | 0.12              | R         | RL110-680K    | 2300         | 30,000          | 0.33              | CM        | 8109          |
| 2100         | 68              | 0.14              | SMPS      | PM1275H-680M  | 2300         | 30,000          | 0.33              | CM        | 8109          |
| 2100         | 390             | 0.27              | T         | 2100HT-391    | 2300         | 50,000          | 0.45              | CM        | 8116          |
| 2100         | 680             | 0.147             | T         | 2100LL-681    | 2300         | 50,000          | 0.45              | CM        | 8116          |
| 2100         | 680             | 0.202             | SMT       | PM2110-681K   | 2330         | 6.3             | 0.038             | SMPS      | PM745H-6R3M   |
| 2100         | 680             | 0.23              | T         | 2222-         | 2340         | 10              | 0.071             | SMP       | PM1355-100K   |
| 2130         | 12              | 0.061             | SMP       | PM104-120M    | 2350         | 56              | 0.11              | SMPS      | PM1275H-560M  |
| 2140         | 10              | 0.045             | SMPS      | PM745H-100M   | 2380         | 5.6             | 0.036             | SMPS      | PM745H-5R6M   |
| 2150         | 18              | 0.09              | SMP       | PM105-180M    | 2380         | 10              | 0.053             | SMP       | PM104-100M    |
| 2180         | 82              | 0.15              | R         | 6100-820K-RC  | 2380         | 68              | 0.11              | R         | 6100-680K-RC  |
| 2200         | 1.8             | 0.028             | SMPS      | PM4285-1R8    | 2400         | 2.2             | 0.07              | SMP       | PM1608-2R2M   |
| 2200         | 2.7             | 0.028             | V         | 3500-2R7M     | 2400         | 3               | 0.024             | SMPS      | PM5285-3R0    |
| 2200         | 3.3             | 0.028             | SMPS      | PM7032S-3R3M  | 2400         | 5               | 0.031             | SMPS      | PM6285-5R0    |
| 2200         | 4.2             | 0.031             | SMPS      | PM5285-4R2    | 2400         | 12              | 0.08              | R         | RL855-120M    |
| 2200         | 6.8             | 0.075             | SMPS      | PM3316S-6R8M  | 2400         | 18              | 0.06              | SMPS      | PM125S-180M   |
| 2200         | 8.7             | 0.034             | SMPS      | PM6385-8R7    | 2400         | 22              | 0.07              | R         | 6000-220K     |
| 2200         | 10              | 0.052             | R         | RL824-100K-RC | 2400         | 27              | 0.045             | R         | RL1105-270M   |
| 2200         | 15              | 0.041             | SMT       | PM3604-15     | 2400         | 47              | 0.097             | SMPS      | PM5022S-470M  |
| 2200         | 15              | 0.07              | R         | RL875-150K    | 2400         | 68              | 0.094             | SMPS      | PM12565S-680M |
| 2200         | 18              | 0.061             | R         | RL622-180K-RC | 2400         | 100             | 0.13              | T         | 2112-         |
| 2200         | 22              | 0.07              | SMPS      | PM125S-220M   | 2400         | 220             | 0.12              | T         | 2116-         |
| 2200         | 33              | 0.093             | SMPS      | PM1045H-330   | 2400         | 390             | 0.112             | T         | 2100LL-391    |
| 2200         | 120             | 0.15              | T         | 2113-         | 2400         | 1000            | 0.049             | CM        | 7404-RC       |
| 2200         | 560             | 0.134             | T         | 2100LL-561    | 2400         | 1000            | 0.216             | T         | 2200LL-102    |
| 2200         | 560             | 0.21              | T         | 2221-         | 2400         | 1000            | 0.3               | T         | 2324-         |
| 2200         | 2500            | 0.499             | HD        | 5624          | 2400         | 2500            | 0.09              | CM        | 8102          |
| 2200         | 5000            | 0.714             | HD        | 5631          | 2400         | 2500            | 0.09              | CM        | 8102          |
| 2220         | 12              | 0.079             | SMP       | PM1355-120K   | 2400         | 10,000          | 0.17              | CM        | 8104          |
| 2220         | 27              | 0.08              | R         | 6000-270K     | 2400         | 10,000          | 0.17              | CM        | 8104          |
| 2240         | 4.7             | 0.036             | SMPS      | PM735H-4R7M   | 2410         | 5               | 0.023             | SMT       | PM3602-5      |
| 2250         | 6               | 0.035             | SMPS      | PM6285-6R0    | 2450         | 0.15            | 0.03              | M         | 9310-00       |
| 2250         | 100             | 0.165             | TB        | 7008          | 2450         | 12              | 0.07              | SMP       | PM105-120M    |
| 2250         | 175             | 0.21              | TB        | 7013          | 2450         | 15              | 0.06              | SMPS      | PM125S-150M   |
| 2250         | 400             | 0.33              | T         | 5708          | 2490         | 3.3             | 0.029             | SMPS      | PM735H-3R3M   |
| 2250         | 400             | 0.33              | TB        | 6708          | 2500         | 1.8             | 0.02              | V         | 3500-1R8M     |
| 2250         | 700             | 0.42              | T         | 5713          | 2500         | 2.7             | 0.033             | CC        | 5300-06       |
| 2250         | 700             | 0.42              | TB        | 6713          | 2500         | 6.2             | 0.027             | SMPS      | PM6385-6R2    |
| 2270         | 4.7             | 0.03              | R         | RL822-4R7K-RC | 2500         | 10              | 0.07              | R         | RL855-100M    |
| 2270         | 15              | 0.08              | SMP       | PM105-150M    | 2500         | 12              | 0.05              | SMPS      | PM125S-120M   |
| 2294         | 0.22            | 0.38              | V         | 70F227AP      | 2500         | 12              | 0.06              | R         | RL875-120M    |
| 2300         | 0.18            | 0.044             | CC        | 8250-R18K     | 2500         | 22              | 0.054             | SMP       | PM3340-220M   |
| 2300         | 2.2             | 0.025             | V         | 3500-2R2M     | 2500         | 22              | 0.073             | SMPS      | PM1045H-220   |
| 2300         | 6.6             | 0.202             | SMP       | PM610-09      | 2500         | 25              | 0.04              | T         | 5726          |
| 2300         | 7.4             | 0.031             | SMPS      | PM6385-7R4    | 2500         | 25              | 0.04              | TB        | 6726          |

## Coil Type

CC - Conformal coated

R - Radial lead

SMT - Surface mount toroid

CM - Common mode

SMC - Surface mount common mode

T - Toroid

HD - Heavy duty

SMCH - Surface mount, chip

TB - Toroid mounted on base

M - Molded

SMP - Surface mount, power

V - Varnished

MS - Molded, shielded

SMPS - Surface mount, power, shielded

VHD - Varnished heavy duty

**BOURNS®**

Tel. (877) 426-8767 • Fax (951) 781-5006

[www.bourns.com](http://www.bourns.com)

# Selector Guide

| Current (mA) | Inductance (µH) | Resistance (ohms) | Coil Type | Part Number   | Current (mA) | Inductance (µH) | Resistance (ohms) | Coil Type | Part Number   |
|--------------|-----------------|-------------------|-----------|---------------|--------------|-----------------|-------------------|-----------|---------------|
| 2500         | 35              | 0.035             | T         | 5727          | 2700         | 330             | 0.16              | T         | 2100HT-331    |
| 2500         | 35              | 0.035             | TB        | 6727          | 2700         | 560             | 0.23              | T         | 2200HT-561    |
| 2500         | 47              | 0.083             | R         | RL110-470K    | 2700         | 680             | 0.176             | T         | 2200LL-681    |
| 2500         | 47              | 0.1               | SMPS      | PM1275H-470M  | 2710         | 3.9             | 0.028             | SMPS      | PM745H-3R9M   |
| 2500         | 50              | 0.06              | T         | 5728          | 2710         | 6.8             | 0.053             | SMP       | PM1355-6R8K   |
| 2500         | 50              | 0.06              | TB        | 6728          | 2750         | 31.25           | 0.06              | TB        | 7003          |
| 2500         | 68              | 0.047             | HD        | 5900-680      | 2750         | 125             | 0.12              | T         | 5703          |
| 2500         | 100             | 0.08              | T         | 5729          | 2750         | 125             | 0.12              | TB        | 6703          |
| 2500         | 100             | 0.08              | TB        | 6729          | 2780         | 2.7             | 0.027             | SMPS      | PM745H-2R7M   |
| 2500         | 250             | 0.17              | VHD       | 5254          | 2790         | 47              | 0.084             | R         | 6100-470K-RC  |
| 2500         | 275             | 0.165             | TB        | 7018          | 2800         | 1.5             | 0.045             | SMPS      | PM1608S-1R5M  |
| 2500         | 330             | 0.103             | T         | 2100LL-331    | 2800         | 1.5             | 0.05              | SMP       | PM1608-1R5M   |
| 2500         | 390             | 0.18              | T         | 2219-         | 2800         | 1.5             | 0.06              | SMCH      | PM1008S-1R5M  |
| 2500         | 450             | 0.24              | TB        | 7023          | 2800         | 22              | 0.036             | SMPS      | PM1255H-220M  |
| 2500         | 560             | 0.146             | SMT       | PM2110-561K   | 2800         | 27              | 0.08              | SMPS      | PM1245H-270M  |
| 2500         | 820             | 0.194             | T         | 2200LL-821    | 2800         | 33              | 0.075             | SMPS      | PM5022S-330M  |
| 2500         | 1000            | 0.215             | SMT       | PM2120-102K   | 2800         | 47              | 0.062             | HD        | 1110-470K     |
| 2500         | 1000            | 0.279             | HD        | 5617          | 2800         | 47              | 0.069             | SMPS      | PM12565S-470M |
| 2500         | 1100            | 0.33              | T         | 5718          | 2800         | 56              | 0.069             | HD        | 1110-560K     |
| 2500         | 1100            | 0.33              | TB        | 6718          | 2800         | 68              | 0.077             | HD        | 1110-680K     |
| 2500         | 1800            | 0.55              | T         | 5723          | 2800         | 82              | 0.083             | HD        | 1110-820K     |
| 2500         | 1800            | 0.55              | TB        | 6723          | 2800         | 100             | 0.095             | HD        | 1110-101K     |
| 2520         | 1.4             | 0.057             | SMP       | PM43-1R4M     | 2800         | 220             | 0.15              | HD        | 1120-221K     |
| 2560         | 1               | 0.049             | SMP       | PM43-1R0M     | 2800         | 270             | 0.14              | T         | 2100HT-271    |
| 2560         | 1.2             | 0.024             | SMPS      | PM4285-1R2    | 2800         | 470             | 0.21              | T         | 2200HT-471    |
| 2560         | 10              | 0.05              | SMPS      | PM1255-100M   | 2800         | 600             | 0.046             | CM        | 7402-RC       |
| 2570         | 56              | 0.089             | R         | 6100-560K-RC  | 2800         | 680             | 0.256             | HD        | 1130-681K     |
| 2590         | 8.2             | 0.058             | SMP       | PM1355-8R2K   | 2800         | 820             | 0.288             | HD        | 1130-821K     |
| 2600         | 0.15            | 0.034             | CC        | 8250-R15K     | 2800         | 2500            | 0.464             | HD        | 5630          |
| 2600         | 2.2             | 0.031             | CC        | 5300-05       | 2800         | 3300            | 0.773             | HD        | 1140-332K     |
| 2600         | 2.6             | 0.018             | SMPS      | PM5285-2R6    | 2800         | 3900            | 0.845             | HD        | 1140-392K     |
| 2600         | 3.9             | 0.027             | SMPS      | PM6285-3R9    | 2800         | 7000            | 0.12              | CM        | 8105          |
| 2600         | 10              | 0.04              | R         | RL895-100M    | 2800         | 7000            | 0.12              | CM        | 8105          |
| 2600         | 10              | 0.06              | SMP       | PM105-100M    | 2828         | 0.15            | 0.25              | V         | 70F157AP      |
| 2600         | 12              | 0.04              | R         | RL895-120M    | 2860         | 0.12            | 0.029             | CC        | 8250-R12K     |
| 2600         | 22              | 0.042             | R         | RL110S-220M   | 2860         | 4.1             | 0.094             | SMP       | PM610-08      |
| 2600         | 47              | 0.087             | SMP       | PM5022-470M   | 2900         | 1               | 0.05              | SMP       | PM1608-1R0M   |
| 2600         | 180             | 0.11              | T         | 2115-         | 2900         | 1.8             | 0.023             | CC        | 5300-04       |
| 2600         | 470             | 0.133             | SMT       | PM2110-471K   | 2900         | 5               | 0.024             | SMPS      | PM638S-5R0    |
| 2600         | 680             | 0.27              | T         | 2200HT-681    | 2900         | 10              | 0.05              | R         | RL875-100M    |
| 2600         | 820             | 0.27              | T         | 2323-         | 2900         | 15              | 0.056             | R         | 6000-150K     |
| 2640         | 4.7             | 0.03              | SMPS      | PM745H-4R7M   | 2900         | 18              | 0.039             | R         | RL110S-180M   |
| 2660         | 3.3             | 0.025             | R         | RL822-3R3K-RC | 2900         | 22              | 0.066             | SMPS      | PM1245H-220M  |
| 2660         | 18              | 0.061             | R         | 6000-180K     | 2900         | 33              | 0.055             | R         | RL110-330K    |
| 2700         | 4.7             | 0.054             | SMPS      | PM3316S-4R7M  | 2900         | 250             | 0.173             | HD        | 5606          |
| 2700         | 10              | 0.028             | SMT       | PM3604-10     | 2900         | 820             | 0.157             | SMT       | PM2120-821K   |
| 2700         | 12              | 0.05              | R         | RL622-120K-RC | 2900         | 1000            | 0.33              | T         | 2300HT-102    |
| 2700         | 22              | 0.085             | SMP       | PM3316-220M   | 2900         | 2000            | 0.058             | CM        | 7506-RC       |
| 2700         | 33              | 0.097             | SMPS      | PM1245H-330M  | 2900         | 20,000          | 0.21              | CM        | 8110          |
| 2700         | 39              | 0.073             | SMPS      | PM1275H-390M  | 2900         | 20,000          | 0.21              | CM        | 8110          |
| 2700         | 39              | 0.073             | R         | RL110-390K    | 2900         | 36,000          | 0.3               | CM        | 8117          |
| 2700         | 270             | 0.093             | T         | 2100LL-271    | 2900         | 36,000          | 0.3               | CM        | 8117          |

## Coil Type

CC - Conformal coated

R - Radial lead

SMT - Surface mount toroid

CM - Common mode

SMC - Surface mount common mode

T - Toroid

HD - Heavy duty

SMCH - Surface mount, chip

TB - Toroid mounted on base

M - Molded

SMP - Surface mount, power

V - Varnished

MS - Molded, shielded

SMPS - Surface mount, power, shielded

VHD - Varnished heavy duty

**BOURNS®**

Tel. (877) 426-8767 • Fax (951) 781-5006

[www.bourns.com](http://www.bourns.com)

# Selector Guide

| Current (mA) | Inductance (µH) | Resistance (ohms) | Coil Type | Part Number   | Current (mA) | Inductance (µH) | Resistance (ohms) | Coil Type | Part Number   |
|--------------|-----------------|-------------------|-----------|---------------|--------------|-----------------|-------------------|-----------|---------------|
| 2910         | 5.6             | 0.046             | SMP       | PM1355-5R6K   | 3300         | 120             | 0.098             | T         | 2213-         |
| 3000         | 0.1             | 0.026             | CC        | 8250-R10K     | 3300         | 150             | 0.11              | T         | 2100HT-151    |
| 3000         | 1               | 0.04              | SMPS      | PM1608S-1R0M  | 3300         | 270             | 0.16              | T         | 2200HT-271    |
| 3000         | 1               | 0.05              | SMCH      | PM1008S-1R0M  | 3300         | 330             | 0.1               | T         | 2218-         |
| 3000         | 1.5             | 0.014             | V         | 3500-1R5M     | 3300         | 470             | 0.119             | SMT       | PM2120-471K   |
| 3000         | 3               | 0.024             | SMPS      | PM628S-3R0    | 3320         | 1.5             | 0.016             | R         | RL822-1R5K-RC |
| 3000         | 4.7             | 0.043             | SMP       | PM1355-4R7K   | 3340         | 3.3             | 0.035             | SMP       | PM1355-3R3K   |
| 3000         | 8               | 0.024             | SMT       | PM3604-8      | 3390         | 33              | 0.059             | R         | 6100-330K-RC  |
| 3000         | 10              | 0.045             | R         | RL622-100K-RC | 3400         | 10              | 0.045             | R         | 6000-100K     |
| 3000         | 15              | 0.042             | SMP       | PM3340-150M   | 3400         | 15              | 0.048             | SMPS      | PM5022S-150M  |
| 3000         | 18              | 0.034             | SMPS      | PM1255H-180M  | 3400         | 27              | 0.046             | SMPS      | PM1275H-270M  |
| 3000         | 33              | 0.065             | SMPS      | PM1275H-330M  | 3400         | 33              | 0.049             | SMPS      | PM12565S-330M |
| 3000         | 33              | 0.066             | SMP       | PM5022-330M   | 3400         | 56              | 0.06              | T         | 2110-         |
| 3000         | 40              | 0.082             | VHD       | 5240          | 3400         | 150             | 0.062             | T         | 2114-         |
| 3000         | 70              | 0.05              | T         | 5730          | 3400         | 270             | 0.082             | SMT       | PM2110-271K   |
| 3000         | 70              | 0.05              | TB        | 6730          | 3400         | 270             | 0.092             | T         | 2217-         |
| 3000         | 220             | 0.13              | T         | 2100HT-221    | 3400         | 560             | 0.24              | T         | 2300HT-561    |
| 3000         | 390             | 0.19              | T         | 2200HT-391    | 3400         | 680             | 0.15              | T         | 2322-         |
| 3000         | 600             | 0.02              | CM        | 7110          | 3480         | 1.5             | 0.015             | SMPS      | PM735H-1R5M   |
| 3000         | 680             | 0.142             | SMT       | PM2120-681K   | 3500         | 3.3             | 0.02              | SMPS      | PM638S-3R3    |
| 3000         | 1000            | 0.03              | CM        | 7111          | 3500         | 10              | 0.033             | SMP       | PM3340-100M   |
| 3080         | 39              | 0.079             | R         | 6100-390K-RC  | 3500         | 12              | 0.027             | SMPS      | PM1255H-120M  |
| 3100         | 1.5             | 0.02              | CC        | 5300-03       | 3500         | 22              | 0.047             | SMP       | PM5022-220M   |
| 3100         | 12              | 0.05              | R         | 6000-120K     | 3500         | 33              | 0.054             | T         | 2000-330-     |
| 3100         | 15              | 0.046             | SMP       | PM3316-150M   | 3500         | 120             | 0.094             | T         | 2100HT-121    |
| 3100         | 15              | 0.05              | SMPS      | PM1045H-150   | 3500         | 125             | 0.08              | VHD       | 5252          |
| 3100         | 18              | 0.057             | SMPS      | PM1245H-180M  | 3500         | 220             | 0.053             | T         | 2100LL-221    |
| 3100         | 22              | 0.059             | SMPS      | PM5022S-220M  | 3500         | 220             | 0.074             | SMT       | PM2110-221K   |
| 3100         | 150             | 0.11              | T         | 2214-         | 3500         | 390             | 0.108             | SMT       | PM2120-391K   |
| 3100         | 180             | 0.12              | T         | 2100HT-181    | 3500         | 560             | 0.101             | T         | 2200LL-561    |
| 3100         | 330             | 0.18              | T         | 2200HT-331    | 3500         | 1000            | 0.137             | T         | 2300LL-102    |
| 3100         | 390             | 0.098             | SMT       | PM2110-391K   | 3500         | 1000            | 0.195             | HD        | 5623          |
| 3100         | 820             | 0.3               | T         | 2300HT-821    | 3500         | 2000            | 0.03              | SMC       | PM3700-50     |
| 3150         | 2.2             | 0.021             | R         | RL822-2R2K-RC | 3600         | 1               | 0.01              | V         | 3500-1R0M     |
| 3200         | 1.2             | 0.019             | CC        | 5300-02       | 3600         | 12              | 0.024             | R         | RL110S-120M   |
| 3200         | 3.9             | 0.038             | SMP       | PM1355-3R9K   | 3600         | 22              | 0.037             | R         | RL110-220M    |
| 3200         | 15              | 0.036             | R         | RL110S-150M   | 3600         | 22              | 0.043             | SMPS      | PM1275H-220M  |
| 3200         | 15              | 0.05              | SMPS      | PM1245H-150M  | 3600         | 47              | 0.055             | T         | 2109-         |
| 3200         | 47              | 0.064             | T         | 2000-470-     | 3600         | 220             | 0.083             | T         | 2216-         |
| 3200         | 56              | 0.037             | HD        | 5900-560      | 3600         | 330             | 0.1               | SMT       | PM2120-331K   |
| 3200         | 330             | 0.09              | SMT       | PM2110-331K   | 3600         | 560             | 0.14              | T         | 2321-         |
| 3200         | 560             | 0.13              | SMT       | PM2120-561K   | 3600         | 820             | 0.123             | T         | 2300LL-821    |
| 3200         | 680             | 0.27              | T         | 2300HT-681    | 3600         | 1000            | 0.033             | CM        | 7504-RC       |
| 3290         | 3.2             | 0.094             | SMP       | PM610-10      | 3610         | 2.7             | 0.03              | SMP       | PM1355-2R7K   |
| 3300         | 1               | 0.018             | CC        | 5300-01       | 3670         | 2.2             | 0.029             | SMP       | PM1355-2R2K   |
| 3300         | 1.2             | 0.012             | V         | 3500-1R2M     | 3700         | 6.8             | 0.035             | R         | RL622-6R8K-RC |
| 3300         | 3.3             | 0.039             | SMPS      | PM3316S-3R3M  | 3700         | 180             | 0.048             | T         | 2100LL-181    |
| 3300         | 5               | 0.019             | SMT       | PM3604-5      | 3700         | 180             | 0.066             | SMT       | PM2110-181K   |
| 3300         | 15              | 0.03              | SMPS      | PM1255H-150M  | 3700         | 470             | 0.092             | T         | 2200LL-471    |
| 3300         | 27              | 0.048             | R         | RL110-270M    | 3700         | 500             | 0.129             | HD        | 5616          |
| 3300         | 39              | 0.059             | T         | 2000-390-     | 3700         | 5000            | 0.07              | CM        | 8106          |
| 3300         | 68              | 0.067             | T         | 2111-         | 3700         | 5000            | 0.07              | CM        | 8106          |

## Coil Type

CC - Conformal coated

R - Radial lead

SMT - Surface mount toroid

CM - Common mode

SMC - Surface mount common mode

T - Toroid

HD - Heavy duty

SMCH - Surface mount, chip

TB - Toroid mounted on base

M - Molded

SMP - Surface mount, power

V - Varnished

MS - Molded, shielded

SMPS - Surface mount, power, shielded

VHD - Varnished heavy duty

**BOURNS®**

Tel. (877) 426-8767 • Fax (951) 781-5006

[www.bourns.com](http://www.bourns.com)

# Selector Guide

| Current (mA) | Inductance (µH) | Resistance (ohms) | Coil Type | Part Number   | Current (mA) | Inductance (µH) | Resistance (ohms) | Coil Type | Part Number   |
|--------------|-----------------|-------------------|-----------|---------------|--------------|-----------------|-------------------|-----------|---------------|
| 3710         | 1               | 0.013             | R         | RL822-1R0K-RC | 4000         | 560             | 0.103             | T         | 2300LL-561    |
| 3750         | 27              | 0.047             | R         | 6100-270K-RC  | 4000         | 560             | 0.205             | HD        | 1130-561K     |
| 3750         | 225             | 0.088             | TB        | 7022          | 4000         | 1000            | 0.02              | SMC       | PM3700-40     |
| 3750         | 900             | 0.175             | T         | 5722          | 4000         | 2200            | 0.494             | HD        | 1140-222K     |
| 3750         | 900             | 0.175             | TB        | 6722          | 4000         | 2700            | 0.555             | HD        | 1140-272K     |
| 3800         | 2.2             | 0.032             | SMPS      | PM3316S-2R2M  | 4000         | 5000            | 0.046             | CM        | 7119          |
| 3800         | 10              | 0.035             | SMPS      | PM104SH-100   | 4000         | 8000            | 0.06              | CM        | 7120          |
| 3800         | 22              | 0.038             | SMPS      | PM12565S-220M | 4000         | 12,000          | 0.11              | CM        | 8111          |
| 3800         | 180             | 0.075             | T         | 2215-         | 4000         | 12,000          | 0.11              | CM        | 8111          |
| 3800         | 390             | 0.084             | T         | 2200LL-391    | 4000         | 30,000          | 0.13              | CM        | 7122          |
| 3800         | 470             | 0.13              | T         | 2320-         | 4020         | 0.56            | 0.011             | SMPS      | PM735H-R56M   |
| 3800         | 680             | 0.113             | T         | 2300LL-681    | 4100         | 6.8             | 0.035             | R         | 6000-6R8M     |
| 3900         | 1               | 0.012             | SMPS      | PM735H-1R0M   | 4100         | 27              | 0.039             | T         | 2000-270-     |
| 3900         | 10              | 0.023             | R         | RL110S-100M   | 4100         | 120             | 0.039             | T         | 2100LL-121    |
| 3900         | 10              | 0.038             | SMP       | PM3316-100M   | 4120         | 1.8             | 0.023             | SMP       | PM1355-1R8K   |
| 3900         | 10              | 0.04              | SMPS      | PM5022S-100M  | 4200         | 270             | 0.07              | T         | 2200LL-271    |
| 3900         | 18              | 0.039             | SMPS      | PM1275H-180M  | 4200         | 270             | 0.072             | SMT       | PM2120-271K   |
| 3900         | 150             | 0.043             | T         | 2100LL-151    | 4200         | 470             | 0.094             | T         | 2300LL-471    |
| 3922         | 0.1             | 0.13              | V         | 70F107AP      | 4300         | 4.7             | 0.03              | R         | RL622-4R7K-RC |
| 4000         | 3.9             | 0.007             | HD        | 5900-3R9      | 4300         | 10              | 0.032             | SMP       | PM5022-100M   |
| 4000         | 4.7             | 0.008             | HD        | 5900-4R7      | 4300         | 22              | 0.035             | T         | 2000-220-     |
| 4000         | 5.6             | 0.011             | HD        | 5900-5R6      | 4300         | 100             | 0.036             | T         | 2100LL-101    |
| 4000         | 6.8             | 0.011             | HD        | 5900-6R8      | 4300         | 150             | 0.049             | SMT       | PM2110-151K   |
| 4000         | 8.2             | 0.013             | HD        | 5900-8R2      | 4300         | 220             | 0.091             | T         | 2200HT-221    |
| 4000         | 10              | 0.017             | HD        | 5900-100      | 4400         | 6.8             | 0.027             | SMP       | PM3316-6R8M   |
| 4000         | 10              | 0.025             | SMPS      | PM1255H-100M  | 4400         | 15              | 0.026             | R         | RL110-150M    |
| 4000         | 12              | 0.019             | HD        | 5900-120      | 4400         | 15              | 0.028             | SMPS      | PM12565S-150M |
| 4000         | 12              | 0.038             | SMPS      | PM1245H-120M  | 4400         | 15              | 0.032             | SMP       | PM5022H-150M  |
| 4000         | 15              | 0.022             | HD        | 5900-150      | 4400         | 100             | 0.056             | T         | 2212-         |
| 4000         | 15              | 0.036             | SMP       | PM5022-150M   | 4400         | 220             | 0.063             | T         | 2200LL-221    |
| 4000         | 18              | 0.023             | HD        | 5900-180      | 4400         | 390             | 0.085             | T         | 2300LL-391    |
| 4000         | 18              | 0.033             | R         | RL110-180M    | 4400         | 600             | 0.025             | CM        | 7502-RC       |
| 4000         | 22              | 0.026             | HD        | 5900-220      | 4400         | 1000            | 0.183             | HD        | 5629          |
| 4000         | 27              | 0.027             | HD        | 5900-270      | 4420         | 1.5             | 0.02              | SMP       | PM1355-1R5K   |
| 4000         | 33              | 0.032             | HD        | 5900-330      | 4500         | 1.5             | 0.022             | SMPS      | PM3316S-1R5M  |
| 4000         | 33              | 0.04              | HD        | 1110-330K     | 4500         | 7               | 0.027             | SMPS      | PM104SH-7R0   |
| 4000         | 39              | 0.033             | HD        | 5900-390      | 4500         | 10              | 0.028             | SMPS      | PM1245H-100M  |
| 4000         | 39              | 0.046             | HD        | 1110-390K     | 4500         | 15              | 0.027             | SMPS      | PM1275H-150M  |
| 4000         | 40              | 0.025             | T         | 5731          | 4500         | 18              | 0.032             | T         | 2000-180-     |
| 4000         | 40              | 0.025             | TB        | 6731          | 4500         | 27              | 0.03              | HD        | 1110-270K     |
| 4000         | 47              | 0.035             | HD        | 5900-470      | 4500         | 100             | 0.072             | HD        | 5605          |
| 4000         | 100             | 0.08              | HD        | 1120-101K     | 4500         | 270             | 0.11              | HD        | 1130-271K     |
| 4000         | 120             | 0.09              | HD        | 1120-121K     | 4500         | 330             | 0.122             | HD        | 1130-331K     |
| 4000         | 125             | 0.075             | TB        | 7017          | 4500         | 470             | 0.14              | T         | 2300HT-471    |
| 4000         | 150             | 0.098             | HD        | 1120-151K     | 4500         | 1500            | 0.324             | HD        | 1140-152K     |
| 4000         | 180             | 0.11              | HD        | 1120-181K     | 4500         | 1800            | 0.36              | HD        | 1140-182K     |
| 4000         | 250             | 0.089             | HD        | 5507          | 4520         | 22              | 0.039             | R         | 6100-220K-RC  |
| 4000         | 330             | 0.077             | T         | 2200LL-331    | 4600         | 4.7             | 0.03              | R         | 6000-4R7M     |
| 4000         | 390             | 0.169             | HD        | 1130-391K     | 4600         | 8.2             | 0.026             | SMPS      | PM1245H-8R2M  |
| 4000         | 470             | 0.187             | HD        | 1130-471K     | 4600         | 82              | 0.032             | T         | 2100LL-820    |
| 4000         | 500             | 0.12              | T         | 5717          | 4600         | 100             | 0.053             | T         | 2100HT-101    |
| 4000         | 500             | 0.12              | TB        | 6717          | 4600         | 150             | 0.069             | HD        | 5506          |

## Coil Type

CC - Conformal coated

R - Radial lead

SMT - Surface mount toroid

CM - Common mode

SMC - Surface mount common mode

T - Toroid

HD - Heavy duty

SMCH - Surface mount, chip

TB - Toroid mounted on base

M - Molded

SMP - Surface mount, power

V - Varnished

MS - Molded, shielded

SMPS - Surface mount, power, shielded

VHD - Varnished heavy duty

**BOURNS®**

Tel. (877) 426-8767 • Fax (951) 781-5006

[www.bourns.com](http://www.bourns.com)



# Selector Guide

| Current (mA) | Inductance (µH) | Resistance (ohms) | Coil Type | Part Number   | Current (mA) | Inductance (µH) | Resistance (ohms) | Coil Type | Part Number   |
|--------------|-----------------|-------------------|-----------|---------------|--------------|-----------------|-------------------|-----------|---------------|
| 4600         | 180             | 0.082             | T         | 2200HT-181    | 5200         | 47              | 0.024             | T         | 2100LL-470    |
| 4600         | 250             | 0.083             | HD        | 5615          | 5200         | 330             | 0.067             | T         | 2318-         |
| 4600         | 330             | 0.079             | T         | 2300LL-331    | 5280         | 15              | 0.024             | R         | 6100-150K-RC  |
| 4700         | 15              | 0.029             | T         | 2000-150-     | 5300         | 5.6             | 0.022             | SMP       | PM5022-5R6M   |
| 4700         | 68              | 0.03              | T         | 2100LL-680    | 5300         | 10              | 0.022             | R         | RL110-100M    |
| 4700         | 180             | 0.057             | T         | 2200LL-181    | 5300         | 27              | 0.026             | T         | 2106-         |
| 4700         | 390             | 0.13              | T         | 2300HT-391    | 5300         | 56              | 0.04              | T         | 2100HT-560    |
| 4750         | 37.5            | 0.023             | TB        | 7012          | 5300         | 100             | 0.061             | T         | 2200HT-101    |
| 4750         | 150             | 0.046             | T         | 5712          | 5300         | 180             | 0.047             | SMT       | PM2120-181K   |
| 4750         | 150             | 0.046             | TB        | 6712          | 5400         | 3.3             | 0.015             | SMP       | PM3316-3R3M   |
| 4800         | 1.2             | 0.017             | SMP       | PM1355-1R2K   | 5400         | 5.2             | 0.022             | SMPS      | PM1045H-5R2   |
| 4800         | 4.7             | 0.018             | SMP       | PM3316-4R7M   | 5400         | 10              | 0.022             | SMPS      | PM1275H-100M  |
| 4800         | 4.7             | 0.018             | SMP       | PM3316H-4R7M  | 5400         | 100             | 0.032             | SMT       | PM2110-101K   |
| 4800         | 10              | 0.024             | SMPS      | PM125655-100M | 5500         | 3.3             | 0.025             | R         | 6000-3R3M     |
| 4800         | 18              | 0.027             | R         | 6100-180K-RC  | 5500         | 3.3             | 0.025             | R         | RL622-3R3K-RC |
| 4800         | 39              | 0.032             | T         | 2108-         | 5500         | 3.8             | 0.013             | SMPS      | PM1045H-3R8   |
| 4800         | 68              | 0.053             | HD        | 1120-680K     | 5500         | 4.2             | 0.018             | SMPS      | PM125655-4R2  |
| 4800         | 82              | 0.049             | T         | 2100HT-820    | 5500         | 6               | 0.007             | TB        | 7002          |
| 4800         | 82              | 0.06              | HD        | 1120-820K     | 5500         | 22              | 0.02              | HD        | 1110-220K     |
| 4800         | 150             | 0.075             | T         | 2200HT-151    | 5500         | 25              | 0.014             | T         | 5702          |
| 4800         | 180             | 0.078             | T         | 2315-         | 5500         | 25              | 0.014             | TB        | 6702          |
| 4800         | 270             | 0.07              | T         | 2300LL-271    | 5500         | 27              | 0.026             | HD        | 1120-270K     |
| 4800         | 1000            | 0.022             | CM        | 8103          | 5500         | 33              | 0.029             | HD        | 1120-330K     |
| 4800         | 1000            | 0.022             | CM        | 8103          | 5500         | 39              | 0.03              | HD        | 1120-390K     |
| 4900         | 6.8             | 0.023             | SMPS      | PM1245H-6R8M  | 5500         | 47              | 0.035             | HD        | 1120-470K     |
| 4900         | 12              | 0.023             | R         | RL110-120M    | 5500         | 56              | 0.039             | HD        | 1120-560K     |
| 4900         | 12              | 0.024             | SMPS      | PM1275H-120M  | 5500         | 150             | 0.043             | SMT       | PM2120-151K   |
| 4900         | 68              | 0.046             | T         | 2211-         | 5500         | 150             | 0.064             | HD        | 1130-151K     |
| 4900         | 100             | 0.061             | HD        | 5505          | 5500         | 180             | 0.072             | HD        | 1130-181K     |
| 4900         | 150             | 0.052             | T         | 2200LL-151    | 5500         | 220             | 0.08              | HD        | 1130-221K     |
| 4900         | 330             | 0.1               | T         | 2300HT-331    | 5500         | 270             | 0.06              | T         | 2317-         |
| 5000         | 1               | 0.021             | SMPS      | PM3316S-1R0M  | 5500         | 750             | 0.012             | SMC       | PM3700-30     |
| 5000         | 7               | 0.021             | SMPS      | PM125655-7R0  | 5500         | 1000            | 0.216             | HD        | 1140-102K     |
| 5000         | 18.75           | 0.02              | TB        | 7007          | 5500         | 1200            | 0.232             | HD        | 1140-122K     |
| 5000         | 33              | 0.029             | T         | 2107-         | 5600         | 47              | 0.036             | T         | 2100HT-470    |
| 5000         | 56              | 0.026             | T         | 2100LL-560    | 5600         | 50              | 0.045             | HD        | 5504          |
| 5000         | 68              | 0.054             | VHD       | 5248          | 5600         | 82              | 0.029             | SMT       | PM2110-820K   |
| 5000         | 75              | 0.04              | T         | 5707          | 5600         | 82              | 0.055             | T         | 2200HT-820    |
| 5000         | 75              | 0.04              | TB        | 6707          | 5600         | 8000            | 0.055             | CM        | 8112          |
| 5000         | 120             | 0.067             | T         | 2200HT-121    | 5600         | 8000            | 0.055             | CM        | 8112          |
| 5000         | 150             | 0.071             | T         | 2314-         | 5700         | 4.7             | 0.018             | SMPS      | PM1245H-4R7M  |
| 5000         | 220             | 0.052             | SMT       | PM2120-221K   | 5750         | 12              | 0.022             | R         | 6100-120K-RC  |
| 5000         | 390             | 0.072             | T         | 2319-         | 5800         | 68              | 0.05              | T         | 2200HT-680    |
| 5000         | 500             | 0.09              | HD        | 5622          | 5800         | 120             | 0.039             | SMT       | PM2120-121K   |
| 5000         | 1000            | 0.035             | CM        | 7117          | 5800         | 220             | 0.054             | T         | 2316-         |
| 5000         | 2000            | 0.04              | CM        | 7118          | 5900         | 3.3             | 0.014             | SMP       | PM3316H-3R3M  |
| 5000         | 11,000          | 0.072             | CM        | 7123          | 5900         | 7.6             | 0.02              | SMPS      | PM1275H-7R6N  |
| 5100         | 1               | 0.015             | SMP       | PM1355-1R0K   | 5900         | 39              | 0.033             | T         | 2100HT-390    |
| 5100         | 68              | 0.044             | T         | 2100HT-680    | 5900         | 68              | 0.027             | SMT       | PM2110-680K   |
| 5100         | 120             | 0.035             | SMT       | PM2110-121K   | 6000         | 6.1             | 0.018             | SMPS      | PM1275H-6R1N  |
| 5100         | 120             | 0.047             | T         | 2200LL-121    | 6000         | 10              | 0.026             | SMP       | PM5022H-100M  |
| 5100         | 220             | 0.063             | T         | 2300LL-221    | 6000         | 500             | 0.01              | SMC       | PM3700-20     |

## Coil Type

CC - Conformal coated

R - Radial lead

SMT - Surface mount toroid

CM - Common mode

SMC - Surface mount common mode

T - Toroid

HD - Heavy duty

SMCH - Surface mount, chip

TB - Toroid mounted on base

M - Molded

SMP - Surface mount, power

V - Varnished

MS - Molded, shielded

SMPS - Surface mount, power, shielded

VHD - Varnished heavy duty

**BOURNS®**

Tel. (877) 426-8767 • Fax (951) 781-5006

[www.bourns.com](http://www.bourns.com)

# Selector Guide

| Current (mA) | Inductance (µH) | Resistance (ohms) | Coil Type | Part Number   | Current (mA) | Inductance (µH) | Resistance (ohms) | Coil Type | Part Number   |
|--------------|-----------------|-------------------|-----------|---------------|--------------|-----------------|-------------------|-----------|---------------|
| 6100         | 2.2             | 0.012             | SMP       | PM3316-2R2M   | 7100         | 82              | 0.024             | T         | 2200LL-820    |
| 6100         | 2.5             | 0.01              | SMPS      | PM1045H-2R5   | 7200         | 6.8             | 0.013             | T         | 2000-6R8-     |
| 6100         | 33              | 0.031             | T         | 2100HT-330    | 7200         | 15              | 0.015             | HD        | 1110-150K     |
| 6100         | 56              | 0.046             | T         | 2200HT-560    | 7200         | 18              | 0.016             | HD        | 1110-180K     |
| 6100         | 100             | 0.035             | SMT       | PM2120-101K   | 7200         | 18              | 0.018             | HD        | 1120-180K     |
| 6200         | 2               | 0.014             | SMPS      | PM125655-2R0  | 7200         | 22              | 0.019             | HD        | 1120-220K     |
| 6200         | 3.3             | 0.016             | SMP       | PMS022-3R3M   | 7200         | 120             | 0.046             | HD        | 1130-121K     |
| 6200         | 56              | 0.024             | SMT       | PM2110-560K   | 7200         | 180             | 0.055             | T         | 2300HT-181    |
| 6300         | 150             | 0.046             | HD        | 5514          | 7200         | 470             | 0.114             | HD        | 1140-471K     |
| 6330         | 10              | 0.02              | R         | 6100-100K-RC  | 7200         | 560             | 0.125             | HD        | 1140-561K     |
| 6400         | 1.5             | 0.01              | SMP       | PM3316-1R5M   | 7200         | 680             | 0.139             | HD        | 1140-681K     |
| 6400         | 12              | 0.016             | T         | 2000-120-     | 7200         | 820             | 0.154             | HD        | 1140-821K     |
| 6400         | 27              | 0.028             | T         | 2100HT-270    | 7300         | 27              | 0.012             | T         | 2100LL-270    |
| 6400         | 47              | 0.042             | T         | 2200HT-470    | 7300         | 68              | 0.034             | HD        | 5512          |
| 6400         | 56              | 0.026             | T         | 2210-         | 7400         | 2.2             | 0.011             | SMP       | PM3316H-2R2M  |
| 6400         | 82              | 0.032             | SMT       | PM2120-820K   | 7400         | 18              | 0.013             | T         | 2104-         |
| 6400         | 250             | 0.059             | HD        | 5621          | 7400         | 33              | 0.02              | T         | 2207-         |
| 6500         | 1.5             | 0.008             | SMPS      | PM1045H-1R5   | 7400         | 120             | 0.03              | T         | 2300LL-121    |
| 6500         | 2.2             | 0.021             | R         | 6000-2R2M     | 7500         | 3.5             | 0.014             | SMPS      | PM1275H-3R5N  |
| 6500         | 2.2             | 0.021             | R         | RL622-2R2K-RC | 7500         | 6               | 0.017             | SMP       | PMS022H-6R0M  |
| 6500         | 3.9             | 0.015             | SMPS      | PM1245H-3R9M  | 7500         | 7.8             | 0.018             | SMP       | PMS022H-7R8M  |
| 6500         | 47              | 0.022             | SMT       | PM2110-470K   | 7500         | 9               | 0.0149            | SMPS      | PM12651S-9R0M |
| 6500         | 270             | 0.067             | T         | 2300HT-271    | 7500         | 10              | 0.0149            | SMPS      | PM13560S-100M |
| 6500         | 500             | 0.085             | HD        | 5628          | 7500         | 22              | 0.012             | T         | 2100LL-220    |
| 6600         | 2.7             | 0.012             | SMP       | PM3316H-2R7M  | 7500         | 150             | 0.05              | T         | 2300HT-151    |
| 6600         | 10              | 0.015             | T         | 2000-100-     | 7600         | 68              | 0.022             | T         | 2200LL-680    |
| 6600         | 39              | 0.015             | T         | 2100LL-390    | 7700         | 15              | 0.012             | T         | 2103-         |
| 6600         | 50              | 0.034             | HD        | 5604          | 7700         | 68              | 0.03              | T         | 2311-         |
| 6600         | 2000            | 0.022             | CM        | 8107          | 7750         | 31.25           | 0.016             | TB        | 7016          |
| 6600         | 2000            | 0.022             | CM        | 8107          | 7750         | 125             | 0.032             | T         | 5716          |
| 6700         | 22              | 0.026             | T         | 2100HT-220    | 7750         | 125             | 0.032             | TB        | 6716          |
| 6700         | 47              | 0.024             | T         | 2209-         | 7800         | 100             | 0.027             | T         | 2300LL-101    |
| 6700         | 68              | 0.029             | SMT       | PM2120-680K   | 7900         | 56              | 0.021             | SMT       | PM2120-560K   |
| 6700         | 120             | 0.04              | T         | 2313-         | 8000         | 4               | 0.012             | VHD       | 5230          |
| 6700         | 180             | 0.037             | T         | 2300LL-181    | 8000         | 25              | 0.023             | HD        | 5603          |
| 6800         | 1               | 0.009             | SMP       | PM3316-1R0M   | 8000         | 50              | 0.028             | HD        | 5511          |
| 6800         | 4.7             | 0.016             | SMPS      | PM1275H-4R7N  | 8000         | 62.5            | 0.021             | TB        | 7021          |
| 6800         | 39              | 0.02              | SMT       | PM2110-390K   | 8000         | 120             | 0.045             | T         | 2300HT-121    |
| 6800         | 100             | 0.027             | T         | 2200LL-101    | 8000         | 250             | 0.041             | T         | 5721          |
| 6800         | 100             | 0.038             | HD        | 5513          | 8000         | 250             | 0.041             | TB        | 6721          |
| 6800         | 220             | 0.061             | T         | 2300HT-221    | 8100         | 39              | 0.026             | T         | 2200HT-390    |
| 6900         | 33              | 0.014             | T         | 2100LL-330    | 8100         | 82              | 0.025             | T         | 2300LL-820    |
| 7000         | 8.2             | 0.014             | T         | 2000-8R2-     | 8200         | 27              | 0.014             | SMT       | PM2110-270K   |
| 7000         | 22              | 0.015             | T         | 2105-         | 8200         | 47              | 0.019             | SMT       | PM2120-470K   |
| 7000         | 27              | 0.03              | HD        | 5503          | 8300         | 100             | 0.041             | T         | 2300HT-101    |
| 7000         | 33              | 0.019             | SMT       | PM2110-330K   | 8400         | 4.7             | 0.014             | SMP       | PMS022H-4R7M  |
| 7000         | 100             | 0.034             | HD        | 5614          | 8400         | 33              | 0.025             | T         | 2200HT-330    |
| 7000         | 100             | 0.037             | T         | 2312-         | 8500         | 1.5             | 0.016             | R         | 6000-1R5M     |
| 7000         | 150             | 0.033             | T         | 2300LL-151    | 8500         | 1.5             | 0.016             | R         | RL622-1R5K-RC |
| 7000         | 200             | 0.008             | SMC       | PM3700-10     | 8500         | 68              | 0.023             | T         | 2300LL-680    |
| 7100         | 2.2             | 0.014             | SMP       | PMS022-2R2M   | 8600         | 1               | 0.011             | SMP       | PMS022-1R0M   |
| 7100         | 39              | 0.022             | T         | 2208-         | 8600         | 18              | 0.016             | T         | 2100HT-180    |

## Coil Type

CC - Conformal coated

R - Radial lead

SMT - Surface mount toroid

CM - Common mode

SMC - Surface mount common mode

T - Toroid

HD - Heavy duty

SMCH - Surface mount, chip

TB - Toroid mounted on base

M - Molded

SMP - Surface mount, power

V - Varnished

MS - Molded, shielded

SMPS - Surface mount, power, shielded

VHD - Varnished heavy duty

**BOURNS®**

Tel. (877) 426-8767 • Fax (951) 781-5006

[www.bourns.com](http://www.bourns.com)

# Selector Guide

| Current (mA) | Inductance (µH) | Resistance (ohms) | Coil Type | Part Number   | Current (mA) | Inductance (µH) | Resistance (ohms) | Coil Type | Part Number   |
|--------------|-----------------|-------------------|-----------|---------------|--------------|-----------------|-------------------|-----------|---------------|
| 8600         | 33              | 0.19              | SMPS      | PM7032S-330M  | 9800         | 27              | 0.011             | T         | 2206-         |
| 8800         | 82              | 0.037             | T         | 2300HT-820    | 9800         | 56              | 0.013             | T         | 2200LL-560    |
| 8900         | 27              | 0.022             | T         | 2200HT-270    | 9800         | 100             | 0.027             | HD        | 5620          |
| 8900         | 56              | 0.02              | T         | 2300LL-560    | 9900         | 10              | 0.012             | T         | 2100HT-100    |
| 8900         | 5000            | 0.022             | CM        | 8113          | 10000        | 1               | 0.006             | SMP       | PM3316H-1R0M  |
| 8900         | 5000            | 0.022             | CM        | 8113          | 10000        | 1               | 0.0084            | SMPS      | PM7232S-1R0M  |
| 9000         | 1               | 0.003             | HD        | 1110-1R0M     | 10000        | 1               | 0.013             | R         | 6000-1R0M     |
| 9000         | 1.2             | 0.003             | HD        | 1110-1R2M     | 10,000       | 1               | 0.013             | R         | RL622-1R0K-RC |
| 9000         | 1.5             | 0.004             | HD        | 1110-1R5M     | 10000        | 3.3             | 0.0086            | SMP       | PM5022H-3R3M  |
| 9000         | 1.5             | 0.008             | SMP       | PM3316H-1R5M  | 10000        | 5               | 0.013             | HD        | 5501          |
| 9000         | 1.5             | 0.0095            | SMPS      | PM7232S-1R5M  | 10000        | 8.8             | 0.021             | VHD       | 5220          |
| 9000         | 1.8             | 0.004             | HD        | 1110-1R8M     | 10000        | 47              | 0.028             | T         | 2300HT-470    |
| 9000         | 2.2             | 0.005             | HD        | 1110-2R2M     | 10000        | 50              | 0.017             | HD        | 5613          |
| 9000         | 2.7             | 0.005             | HD        | 1110-2R7M     | 10000        | 68              | 0.023             | HD        | 5519          |
| 9000         | 3.3             | 0.005             | HD        | 1110-3R3M     | 10000        | 100             | 0.027             | HD        | 5520          |
| 9000         | 3.9             | 0.006             | HD        | 1110-3R9M     | 10000        | 1000            | 0.01              | CM        | 8108          |
| 9000         | 3.9             | 0.01              | SMP       | PM5022H-3R9M  | 10000        | 1000            | 0.01              | CM        | 8108          |
| 9000         | 4.7             | 0.007             | HD        | 1110-4R7M     | 10000        | 3000            | 0.02              | CM        | 7124          |
| 9000         | 5.6             | 0.007             | HD        | 1110-5R6M     | 10100        | 4.7             | 0.0064            | T         | 2000-4R7-     |
| 9000         | 6.25            | 0.006             | TB        | 7006          | 10100        | 18              | 0.007             | T         | 2100LL-180    |
| 9000         | 6.8             | 0.008             | HD        | 1110-6R8M     | 10100        | 33              | 0.013             | SMT       | PM2120-330K   |
| 9000         | 8.2             | 0.009             | HD        | 1110-8R2M     | 10200        | 18              | 0.009             | SMT       | PM2110-180K   |
| 9000         | 10              | 0.01              | HD        | 1110-100K     | 10200        | 56              | 0.017             | T         | 2310-         |
| 9000         | 10              | 0.017             | HD        | 5502          | 10200        | 12              | 0.007             | T         | 2102-         |
| 9000         | 12              | 0.011             | HD        | 1110-120K     | 10300        | 15              | 0.017             | T         | 2200HT-150    |
| 9000         | 15              | 0.013             | HD        | 1120-150K     | 10300        | 22              | 0.01              | T         | 2205-         |
| 9000         | 25              | 0.012             | T         | 5706          | 10300        | 47              | 0.012             | T         | 2200LL-470    |
| 9000         | 25              | 0.012             | TB        | 6706          | 10400        | 27              | 0.012             | SMT       | PM2120-270K   |
| 9000         | 27              | 0.022             | HD        | 5510          | 10500        | 3.9             | 0.0059            | T         | 2000-3R9-     |
| 9000         | 47              | 0.024             | HD        | 1130-470K     | 10500        | 15              | 0.006             | T         | 2100LL-150    |
| 9000         | 56              | 0.026             | HD        | 1130-560K     | 10500        | 50              | 0.02              | HD        | 5518          |
| 9000         | 68              | 0.029             | HD        | 1130-680K     | 10700        | 15              | 0.008             | SMT       | PM2110-150K   |
| 9000         | 82              | 0.032             | HD        | 1130-820K     | 10700        | 47              | 0.016             | T         | 2309-         |
| 9000         | 100             | 0.034             | HD        | 1130-101K     | 10800        | 10              | 0.006             | T         | 2101-         |
| 9000         | 250             | 0.04              | HD        | 5627          | 10800        | 18              | 0.009             | T         | 2204-         |
| 9000         | 390             | 0.082             | HD        | 1140-391K     | 10800        | 39              | 0.011             | T         | 2200LL-390    |
| 9100         | 15              | 0.014             | T         | 2100HT-150    | 10900        | 12              | 0.006             | T         | 2100LL-120    |
| 9200         | 68              | 0.034             | T         | 2300HT-680    | 10900        | 12              | 0.015             | T         | 2200HT-120    |
| 9300         | 22              | 0.02              | T         | 2200HT-220    | 11000        | 2.5             | 0.004             | TB        | 7001          |
| 9300         | 7300            | 0.032             | CM        | 8118          | 11000        | 10              | 0.008             | T         | 5701          |
| 9300         | 7300            | 0.032             | CM        | 8118          | 11000        | 10              | 0.008             | TB        | 6701          |
| 9500         | 6               | 0.0107            | SMPS      | PM13560S-6R0M | 11000        | 22              | 0.011             | SMT       | PM2120-220K   |
| 9500         | 12.5            | 0.006             | TB        | 7011          | 11100        | 3.3             | 0.0053            | T         | 2000-3R3-     |
| 9500         | 50              | 0.012             | T         | 5711          | 11100        | 33              | 0.01              | T         | 2200LL-330    |
| 9500         | 50              | 0.012             | TB        | 6711          | 11200        | 10              | 0.014             | T         | 2200HT-100    |
| 9600         | 12              | 0.013             | T         | 2100HT-120    | 11200        | 39              | 0.014             | T         | 2308-         |
| 9600         | 39              | 0.014             | SMT       | PM2120-390K   | 11300        | 12              | 0.007             | SMT       | PM2110-120K   |
| 9700         | 5.6             | 0.0069            | T         | 2000-5R6-     | 11300        | 15              | 0.008             | T         | 2203-         |
| 9700         | 18              | 0.018             | T         | 2200HT-180    | 11400        | 1               | 0.003             | HD        | 1120-1R0M     |
| 9700         | 22              | 0.01              | SMT       | PM2110-220K   | 11400        | 1.2             | 0.003             | HD        | 1120-1R2M     |
| 9700         | 56              | 0.03              | T         | 2300HT-560    | 11400        | 1.5             | 0.003             | HD        | 1120-1R5M     |
| 9800         | 1.2             | 0.007             | SMPS      | PM1275H-1R2N  | 11400        | 1.8             | 0.003             | HD        | 1120-1R8M     |

## Coil Type

CC - Conformal coated

R - Radial lead

SMT - Surface mount toroid

CM - Common mode

SMC - Surface mount common mode

T - Toroid

HD - Heavy duty

SMCH - Surface mount, chip

TB - Toroid mounted on base

M - Molded

SMP - Surface mount, power

V - Varnished

MS - Molded, shielded

SMPS - Surface mount, power, shielded

VHD - Varnished heavy duty

**BOURNS®**

Tel. (877) 426-8767 • Fax (951) 781-5006

[www.bourns.com](http://www.bourns.com)

# Selector Guide

| Current (mA) | Inductance (µH) | Resistance (ohms) | Coil Type | Part Number   | Current (mA) | Inductance (µH) | Resistance (ohms) | Coil Type | Part Number  |
|--------------|-----------------|-------------------|-----------|---------------|--------------|-----------------|-------------------|-----------|--------------|
| 11400        | 2.2             | 0.004             | HD        | 1120-2R2M     | 13500        | 33              | 0.017             | HD        | 1130-330K    |
| 11400        | 2.7             | 0.005             | HD        | 1120-2R7M     | 13600        | 15              | 0.007             | T         | 2200LL-150   |
| 11400        | 3.3             | 0.005             | HD        | 1120-3R3M     | 13600        | 33              | 0.015             | T         | 2300HT-330   |
| 11400        | 3.9             | 0.005             | HD        | 1120-3R9M     | 13700        | 5.6             | 0.005             | SMT       | PM2110-5R6M  |
| 11400        | 4.7             | 0.005             | HD        | 1120-4R7M     | 13700        | 6.8             | 0.006             | T         | 2100HT-6R8   |
| 11400        | 5.6             | 0.006             | HD        | 1120-5R6M     | 13900        | 10              | 0.007             | SMT       | PM2120-100K  |
| 11400        | 6.8             | 0.007             | HD        | 1120-6R8M     | 14000        | 4.7             | 0.003             | T         | 2100LL-4R7   |
| 11400        | 8.2             | 0.007             | HD        | 1120-8R2M     | 14000        | 5               | 0.009             | HD        | 5508         |
| 11400        | 10              | 0.005             | T         | 2100LL-100    | 14000        | 10              | 0.008             | HD        | 5602         |
| 11400        | 10              | 0.009             | HD        | 1120-100K     | 14000        | 25              | 0.009             | HD        | 5612         |
| 11400        | 12              | 0.009             | HD        | 1120-120K     | 14000        | 50              | 0.012             | HD        | 5619         |
| 11400        | 39              | 0.022             | HD        | 1130-390K     | 14000        | 100             | 0.018             | HD        | 5626         |
| 11400        | 150             | 0.04              | HD        | 1140-151K     | 14200        | 12              | 0.006             | T         | 2200LL-120   |
| 11400        | 180             | 0.045             | HD        | 1140-181K     | 14300        | 5.6             | 0.006             | T         | 2100HT-5R6   |
| 11400        | 220             | 0.05              | HD        | 1140-221K     | 14300        | 10              | 0.006             | T         | 2200LL-100   |
| 11400        | 270             | 0.056             | HD        | 1140-271K     | 14300        | 27              | 0.014             | T         | 2300HT-270   |
| 11400        | 330             | 0.074             | HD        | 1140-331K     | 14400        | 4.7             | 0.004             | SMT       | PM2110-4R7M  |
| 11500        | 2.5             | 0.011             | SMPS      | PM1038S-2R5M  | 14400        | 47              | 0.018             | HD        | 1140-470K    |
| 11700        | 8.2             | 0.005             | T         | 2100LL-8R2    | 14400        | 56              | 0.019             | HD        | 1140-560K    |
| 11700        | 10              | 0.007             | SMT       | PM2110-100K   | 14400        | 68              | 0.021             | HD        | 1140-680K    |
| 11700        | 33              | 0.013             | T         | 2307-         | 14400        | 82              | 0.023             | HD        | 1140-820K    |
| 11800        | 18              | 0.009             | SMT       | PM2120-180K   | 14400        | 100             | 0.025             | HD        | 1140-101K    |
| 11800        | 27              | 0.009             | T         | 2200LL-270    | 14400        | 120             | 0.028             | HD        | 1140-121K    |
| 11800        | 47              | 0.012             | T         | 2300LL-470    | 14500        | 4000            | 0.012             | CM        | 8119         |
| 12000        | 0.68            | 0.005             | SMP       | PM3316H-R68M  | 14500        | 4000            | 0.012             | CM        | 8119         |
| 12000        | 2.2             | 0.0061            | SMP       | PM5022H-2R2M  | 14700        | 2.7             | 0.003             | T         | 2000-2R7-    |
| 12000        | 4.7             | 0.0072            | SMPS      | PM12651S-4R7M | 14700        | 6.8             | 0.006             | SMT       | PM2120-6R8M  |
| 12000        | 10              | 0.012             | HD        | 5509          | 14700        | 8.2             | 0.006             | SMT       | PM2120-8R2M  |
| 12000        | 12              | 0.008             | T         | 2202-         | 14900        | 4.7             | 0.006             | T         | 2100HT-4R7   |
| 12200        | 15              | 0.009             | SMT       | PM2120-150K   | 15000        | 0.47            | 0.003             | SMPS      | PM7232S-R47M |
| 12200        | 39              | 0.011             | T         | 2300LL-390    | 15000        | 0.78            | 0.0026            | SMP       | PM5022H-R78M |
| 12300        | 6.8             | 0.004             | T         | 2100LL-6R8    | 15000        | 1.5             | 0.004             | SMP       | PM5022H-1R5M |
| 12500        | 0.72            | 0.008             | SMPS      | PM7232S-R72M  | 15000        | 1.7             | 0.0079            | SMPS      | PM1038S-1R7M |
| 12500        | 10              | 0.007             | T         | 2201-         | 15000        | 4.9             | 0.016             | VHD       | 5219         |
| 12500        | 27              | 0.014             | HD        | 5517          | 15000        | 5               | 0.007             | HD        | 5601         |
| 12500        | 2500            | 0.011             | CM        | 8114          | 15000        | 27              | 0.01              | HD        | 5523         |
| 12500        | 2500            | 0.011             | CM        | 8114          | 15000        | 50              | 0.013             | HD        | 5524         |
| 12600        | 8.2             | 0.006             | SMT       | PM2110-8R2M   | 15100        | 3.3             | 0.003             | T         | 2100LL-3R3   |
| 12600        | 22              | 0.008             | T         | 2200LL-220    | 15100        | 3.9             | 0.004             | SMT       | PM2110-3R9M  |
| 12700        | 12              | 0.008             | SMT       | PM2120-120K   | 15100        | 8.2             | 0.005             | T         | 2200LL-8R2   |
| 13000        | 33              | 0.01              | T         | 2300LL-330    | 15100        | 8.2             | 0.008             | T         | 2200HT-8R2   |
| 13000        | 33              | 0.01              | T         | 2300LL-330    | 15300        | 3.9             | 0.005             | T         | 2100HT-3R9   |
| 13000        | 39              | 0.017             | T         | 2300HT-390    | 15600        | 2               | 0.0027            | T         | 2000-2R0-    |
| 13100        | 5.6             | 0.004             | T         | 2100LL-5R6    | 15600        | 5.6             | 0.005             | SMT       | PM2120-5R6M  |
| 13100        | 6.8             | 0.005             | SMT       | PM2110-6R8M   | 15600        | 27              | 0.008             | T         | 2306-        |
| 13100        | 18              | 0.007             | T         | 2200LL-180    | 15700        | 6.8             | 0.007             | T         | 2200HT-6R8   |
| 13200        | 8.2             | 0.007             | T         | 2100HT-8R2    | 16000        | 0.25            | 0.0021            | SMPS      | PM7232S-R25M |
| 13500        | 12              | 0.008             | HD        | 1130-120K     | 16000        | 0.33            | 0.002             | SMP       | PM3316H-R33M |
| 13500        | 15              | 0.009             | HD        | 1130-150K     | 16000        | 2.7             | 0.004             | SMT       | PM2110-2R7M  |
| 13500        | 18              | 0.01              | HD        | 1130-180K     | 16000        | 3.3             | 0.004             | SMT       | PM2110-3R3M  |
| 13500        | 22              | 0.011             | HD        | 1130-220K     | 16000        | 6.8             | 0.005             | T         | 2200LL-6R8   |
| 13500        | 27              | 0.012             | HD        | 1130-270K     | 16000        | 10              | 0.008             | HD        | 5516         |

## Coil Type

CC - Conformal coated

R - Radial lead

SMT - Surface mount toroid

CM - Common mode

SMC - Surface mount common mode

T - Toroid

HD - Heavy duty

SMCH - Surface mount, chip

TB - Toroid mounted on base

M - Molded

SMP - Surface mount, power

V - Varnished

MS - Molded, shielded

SMPS - Surface mount, power, shielded

VHD - Varnished heavy duty

**BOURNS®**

Tel. (877) 426-8767 • Fax (951) 781-5006

[www.bourns.com](http://www.bourns.com)

# Selector Guide

| Current (mA) | Inductance (µH) | Resistance (ohms) | Coil Type | Part Number   | Current (mA) | Inductance (µH) | Resistance (ohms) | Coil Type | Part Number   |
|--------------|-----------------|-------------------|-----------|---------------|--------------|-----------------|-------------------|-----------|---------------|
| 16000        | 1200            | 0.006             | CM        | 8115          | 20200        | 18              | 0.007             | T         | 2300HT-180    |
| 16000        | 1200            | 0.006             | CM        | 8115          | 20300        | 1.2             | 0.002             | SMT       | PM2110-1R2M   |
| 16100        | 3.3             | 0.005             | T         | 2100HT-3R3    | 20300        | 1.5             | 0.002             | SMT       | PM2110-1R5M   |
| 16100        | 5.6             | 0.007             | T         | 2200HT-5R6    | 20300        | 2.7             | 0.003             | T         | 2200LL-2R7    |
| 16400        | 22              | 0.007             | T         | 2305-         | 20800        | 10              | 0.004             | T         | 2300LL-100    |
| 16500        | 2.2             | 0.003             | T         | 2100LL-2R2    | 20800        | 15              | 0.007             | T         | 2300HT-150    |
| 16600        | 4.7             | 0.005             | SMT       | PM2120-4R7M   | 21000        | 1               | 0.003             | HD        | 1130-1R0M     |
| 16900        | 4.7             | 0.006             | T         | 2200HT-4R7    | 21000        | 1.2             | 0.003             | HD        | 1130-1R2M     |
| 17000        | 0.22            | 0.0014            | SMPS      | PM7232S-R22M  | 21000        | 1.5             | 0.003             | HD        | 1130-1R5M     |
| 17000        | 1.2             | 0.0047            | SMPS      | PM1038S-1R2M  | 21000        | 1.8             | 0.003             | HD        | 1130-1R8M     |
| 17000        | 10              | 0.006             | HD        | 5611          | 21000        | 2.2             | 0.003             | HD        | 1130-2R2M     |
| 17000        | 10              | 0.006             | HD        | 1130-100K     | 21000        | 2.7             | 0.003             | HD        | 1130-2R7M     |
| 17000        | 27              | 0.006             | T         | 2300LL-270    | 21000        | 3.3             | 0.003             | HD        | 1130-3R3M     |
| 17000        | 2400            | 0.008             | CM        | 8120          | 21000        | 3.9             | 0.003             | HD        | 1130-3R9M     |
| 17000        | 2400            | 0.008             | CM        | 8120          | 21000        | 4.7             | 0.003             | HD        | 1130-4R7M     |
| 17100        | 2.7             | 0.004             | T         | 2100HT-2R7    | 21000        | 5.6             | 0.003             | HD        | 1130-5R6M     |
| 17100        | 4.7             | 0.004             | T         | 2200LL-4R7    | 21000        | 6.8             | 0.004             | HD        | 1130-6R8M     |
| 17200        | 2.2             | 0.003             | SMT       | PM2110-2R2M   | 21000        | 8.2             | 0.004             | HD        | 1130-8R2M     |
| 17200        | 18              | 0.006             | T         | 2304-         | 21000        | 22              | 0.009             | HD        | 1140-220K     |
| 17700        | 22              | 0.005             | T         | 2300LL-220    | 21000        | 27              | 0.01              | HD        | 1140-270K     |
| 17800        | 3.9             | 0.006             | T         | 2200HT-3R9    | 21000        | 33              | 0.011             | HD        | 1140-330K     |
| 18000        | 2.7             | 0.0043            | SMPS      | PM12645S-2R7M | 21000        | 39              | 0.012             | HD        | 1140-390K     |
| 18000        | 3.3             | 0.004             | SMT       | PM2120-3R3M   | 21400        | 1               | 0.002             | T         | 2100LL-1R0    |
| 18000        | 3.9             | 0.004             | SMT       | PM2120-3R9M   | 21700        | 1               | 0.003             | T         | 2100HT-1R0    |
| 18000        | 15              | 0.006             | T         | 2303-         | 21800        | 1.8             | 0.004             | T         | 2200HT-1R8    |
| 18300        | 2.2             | 0.004             | T         | 2100HT-2R2    | 22000        | 0.1             | 0.0009            | SMPS      | PM7232S-R10M  |
| 18500        | 1.5             | 0.002             | T         | 2100LL-1R5    | 22000        | 1.2             | 0.0029            | SMPS      | PM12639S-1R2M |
| 18500        | 1.8             | 0.003             | SMT       | PM2110-1R8M   | 22000        | 1.5             | 0.003             | SMT       | PM2120-1R5M   |
| 18500        | 3.9             | 0.004             | T         | 2200LL-3R9    | 22000        | 1.8             | 0.003             | SMT       | PM2120-1R8M   |
| 18500        | 18              | 0.005             | T         | 2300LL-180    | 22100        | 0.8             | 0.0014            | T         | 2000-R8-      |
| 18600        | 15              | 0.005             | T         | 2300LL-150    | 22300        | 8.2             | 0.003             | T         | 2300LL-6R8    |
| 18700        | 1.5             | 0.002             | T         | 2000-1R5-     | 22400        | 12              | 0.006             | T         | 2300HT-120    |
| 18800        | 3.3             | 0.005             | T         | 2200HT-3R3    | 22600        | 1.8             | 0.002             | T         | 2200LL-1R8    |
| 19000        | 5               | 0.006             | HD        | 5515          | 22700        | 1               | 0.002             | SMT       | PM2110-1R0M   |
| 19000        | 22              | 0.008             | T         | 2300HT-220    | 23000        | 0.5             | 0.00148           | SMPS      | PM1038S-R50M  |
| 19100        | 12              | 0.005             | T         | 2302-         | 23000        | 5               | 0.004             | HD        | 5521          |
| 19600        | 12              | 0.004             | T         | 2300LL-120    | 23300        | 10              | 0.006             | T         | 2300HT-100    |
| 19600        | 12              | 0.004             | T         | 2300LL-120    | 23800        | 1.2             | 0.003             | T         | 2200HT-1R2    |
| 19700        | 2.2             | 0.003             | SMT       | PM2120-2R2M   | 24000        | 0.39            | 0.0015            | SMPS      | PM1038S-R39M  |
| 19700        | 2.7             | 0.003             | SMT       | PM2120-2R7M   | 24000        | 0.5             | 0.0011            | SMPS      | PM12651S-R50M |
| 19800        | 1.5             | 0.003             | T         | 2100HT-1R5    | 24000        | 5.6             | 0.003             | T         | 2300LL-5R6    |
| 20000        | 0.11            | 0.0017            | SMPS      | PM7232S-R11M  | 24300        | 8.2             | 0.005             | T         | 2300HT-8R2    |
| 20000        | 0.75            | 0.0035            | SMPS      | PM1038S-R75M  | 24500        | 6.8             | 0.005             | T         | 2300HT-6R8    |
| 20000        | 1.8             | 0.0035            | SMPS      | PM12645S-1R8M | 24700        | 0.5             | 0.0012            | T         | 2000-R5-      |
| 20000        | 3.35            | 0.01              | VHD       | 5218          | 25000        | 1               | 0.0144            | SMPS      | PM13666S-1R0M |
| 20000        | 5               | 0.005             | HD        | 5610          | 25400        | 1               | 0.002             | SMT       | PM2120-1R0M   |
| 20000        | 10              | 0.005             | T         | 2301-         | 25400        | 1.2             | 0.002             | SMT       | PM2120-1R2M   |
| 20000        | 10              | 0.006             | HD        | 5522          | 25800        | 5.6             | 0.005             | T         | 2300HT-5R6    |
| 20000        | 1000            | 0.007             | CM        | 8121          | 26100        | 1               | 0.002             | T         | 2200LL-1R0    |
| 20000        | 1000            | 0.007             | CM        | 8121          | 26300        | 3.9             | 0.002             | T         | 2300LL-3R9    |
| 20100        | 2.2             | 0.005             | T         | 2200HT-2R2    | 27000        | 1.2             | 0.002             | SMPS      | PM12645S-1R2M |
| 20200        | 1.2             | 0.0017            | T         | 2000-1R2-     | 27000        | 1.8             | 0.002             | HD        | 1140-1R8M     |

## Coil Type

CC - Conformal coated

R - Radial lead

SMT - Surface mount toroid

CM - Common mode

SMC - Surface mount common mode

T - Toroid

HD - Heavy duty

SMCH - Surface mount, chip

TB - Toroid mounted on base

M - Molded

SMP - Surface mount, power

V - Varnished

MS - Molded, shielded

SMPS - Surface mount, power, shielded

VHD - Varnished heavy duty

**BOURNS®**

Tel. (877) 426-8767 • Fax (951) 781-5006

[www.bourns.com](http://www.bourns.com)

# J.W. Miller to Bourns Product Cross Reference

## PMA

|       |              |
|-------|--------------|
| 1206L | MA3216-xxxM4 |
| 1206H | MA3216-xxxT4 |
| 0402  | MU1005       |

## PMC

|      |              |
|------|--------------|
| 0603 | MG,MU,MZ1608 |
| 0805 | MG,MU,MZ2029 |
| 1206 | MG,MU,MZ3261 |

## PMH

|      |        |
|------|--------|
| 0603 | MH1608 |
| 0805 | MH2029 |
| 1206 | MH3261 |
| 1806 | MH4516 |
| 1812 | MH4532 |

## Chip Inductors

|         |           |
|---------|-----------|
| PM0402  | CI100505  |
| PM0402T | CM100505  |
| PM0603  | CW160808  |
| PM0603H | CM160808  |
| PM0603T | CI160808  |
| PM0805  | CW201212  |
| PM0805G | CV201210  |
| PM0805H | CE201210  |
| PM1008  | CW252016  |
| PM1008M | CM252016  |
| PM1210  | CM322522  |
| PM1210G | CF322513  |
| PM1812  | CM453232  |
| PM1812G | CF453215  |
| PM1812H | CC453232* |
| PM205   | CC322522* |

## Power Inductors (Shielded) (PCS)

|          |          |
|----------|----------|
| PM1045H  | SRU1038  |
| PM1055B  | SRR0905* |
| PM1245H  | SRR1240  |
| PM12565S | SRR1260* |
| PM1255H  | SRR1260  |
| PM1275H  | SRR1208  |
| PM1608S  | SRR6603  |
| PM3316S  | SRR1005  |
| PM428S   | SRR4028* |
| PM42S    | SRR4018* |
| PM5022S  | SRR1806  |
| PM518S   | SRR5018* |
| PM528S   | SRR5028* |
| PM628S   | SRR6028* |
| PM638S   | SRR6038* |
| PM7032S  | SRR7032  |
| PM7232S  | SRP7030  |
| PM12639S | SRP1235  |
| PM12645S | SRP1250  |
| PM12651S | SRP1250  |
| PM745H   | SRR7045  |

## Common Mode Chip Inductors (CMC)

|          |          |
|----------|----------|
| PM0805CM | SRF2012* |
| PM1206CM | SRF3216* |

## Power Inductors (Unshielded) (PCNS)

|         |          |
|---------|----------|
| PM105   | SDR1006  |
| PM1608  | SDR6603* |
| PM32    | SDR0302  |
| PM3316  | SDR1005  |
| PM43    | SDR0403  |
| PM5022  | SDR1806  |
| PM5022H | SDR2207  |
| PM52    | SDR0603* |
| PM54    | SDR0604  |
| PM75    | SDR0805  |

\* Closest alternative - these models are available on requests as projects only. Please consult a Bourns application engineer for the solution that best suits your needs.

**BOURNS®**

Tel. (877) 426-8767 • Fax (951) 781-5006

[www.bourns.com](http://www.bourns.com)

# Multilayer Ferrite Chip Bead Arrays

## Special Features

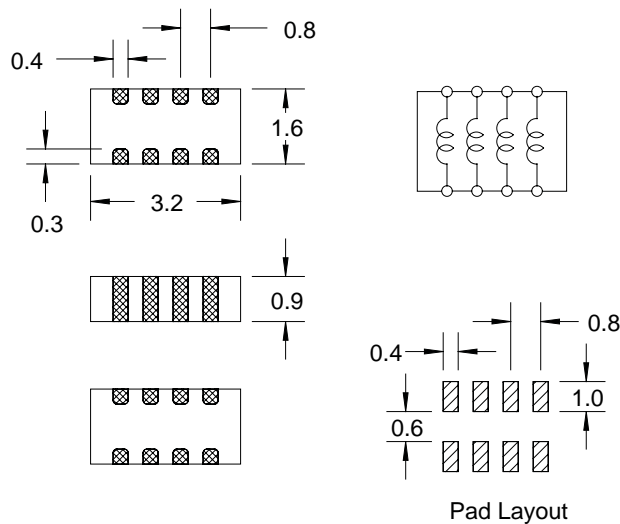
- Four ferrite beads in single package
- Magnetically shielded circuits avoid coupling
- Multilayer construction for high reliability
- Solder coated terminals for wave and reflow solder
- Available in Type L for low frequency and Type H for high frequency applications
- Operating temperature: -55 to +125 °C
- Tape & reel packaged, 3000/Reel

## Typical Applications

- EMI suppression in multiple-line circuits
- Cell phones
- Pagers
- Hand-held organizers
- High-frequency wireless communication devices
- Notebook computers
- Printers
- Network cards
- Industrial electronics
- Entertainment electronic devices

| PMA Series      |                            |                 |            |                   |
|-----------------|----------------------------|-----------------|------------|-------------------|
| Part Number     | Z (Ω)<br>± 25 %<br>@100MHz | DCR (Ω)<br>Max. | I, DC (mA) | Bourns Equivalent |
| Type L          |                            |                 |            |                   |
| PMA1206L-300-RC | 30                         | 0.4             | 350        | MA3212-xxxM4      |
| PMA1206L-600-RC | 60                         | 0.4             | 250        |                   |
| PMA1206L-121-RC | 120                        | 0.8             | 150        |                   |
| PMA1206L-241-RC | 240                        | 0.8             | 150        |                   |
| PMA1206L-301-RC | 300                        | 0.8             | 150        |                   |
| PMA1206L-471-RC | 470                        | 1.0             | 100        |                   |
| PMA1206L-601-RC | 600                        | 1.5             | 100        |                   |
| PMA1206L-102-RC | 1000                       | 1.7             | 50         |                   |
| Type H          |                            |                 |            |                   |
| PMA1206H-600-RC | 60                         | 0.8             | 150        | MA3215-xxxT4      |
| PMA1206H-121-RC | 120                        | 0.8             | 150        |                   |
| PMA1206H-221-RC | 220                        | 0.8             | 150        |                   |
| PMA1206H-471-RC | 470                        | 1.0             | 150        |                   |
| PMA1206H-601-RC | 600                        | 1.5             | 100        |                   |

Only available as RoHS compliant.



Dimensions: mm  
Tolerance: +/- 0.2

**BOURNS®**

Tel. (877) 426-8767 • Fax (951) 781-5006

www.bourns.com

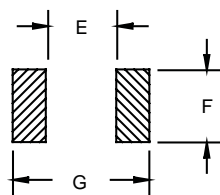
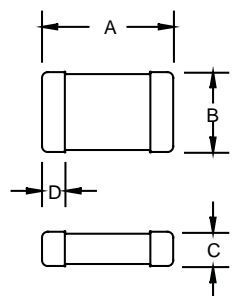
# Multilayer Ferrite Chip Beads

## Special Features

- High impedance
- Reduce high frequency noise interference
- Multilayer construction for high reliability
- Solder coated terminals for wave and reflow solder
- Operating temperature: -55 to +125 °C

## Notes

- \* Current to cause 20 °C max. temperature rise



Pad Layout

Also available as RoHS compliant

| PMC            |             |                  |              |             |                  |                |
|----------------|-------------|------------------|--------------|-------------|------------------|----------------|
| Part Number    | Z (Ω) ±25 % | Test Freq. (MHz) | DCR (Ω) Max. | I, DC* (mA) | Bourns Equivalen |                |
| PMC0402-100-RC | 10          | 100              | 0.10         | 500         | MU1005           |                |
| PMC0402-300-RC | 30          | 100              | 0.20         | 300         |                  |                |
| PMC0402-600-RC | 60          | 100              | 0.25         | 300         |                  |                |
| PMC0402-121-RC | 120         | 100              | 0.30         | 100         |                  |                |
| PMC0402-241-RC | 240         | 100              | 0.40         | 100         |                  |                |
| PMC0402-301-RC | 300         | 100              | 0.50         | 100         |                  |                |
| PMC0402-601-RC | 600         | 100              | 1.1          | 50          |                  |                |
| PMC0402-102-RC | 1000        | 100              | 1.5          | 50          |                  |                |
| PMC0603-300-RC | 30          | 100              | 0.2          | 200         |                  | MG, MU, MZ1608 |
| PMC0603-600-RC | 60          | 100              | 0.2          | 200         |                  |                |
| PMC0603-101-RC | 100         | 100              | 0.3          | 200         |                  |                |
| PMC0603-121-RC | 120         | 100              | 0.4          | 200         |                  |                |
| PMC0603-151-RC | 150         | 100              | 0.4          | 100         |                  |                |
| PMC0603-221-RC | 220         | 100              | 0.5          | 200         |                  |                |
| PMC0603-301-RC | 300         | 100              | 0.6          | 100         |                  |                |
| PMC0603-601-RC | 600         | 100              | 0.8          | 100         |                  |                |
| PMC0603-102-RC | 1000        | 100              | 1.0          | 100         |                  |                |
| PMC0603-152-RC | 1500        | 100              | 1.0          | 50          |                  |                |
| PMC0603-202-RC | 2000        | 100              | 1.0          | 50          | MG, MU, MZ2029   |                |
| PMC0805-100-RC | 10          | 100              | 0.2          | 500         |                  |                |
| PMC0805-300-RC | 30          | 100              | 0.3          | 400         |                  |                |
| PMC0805-600-RC | 60          | 100              | 0.3          | 400         |                  |                |
| PMC0805-101-RC | 100         | 100              | 0.4          | 400         |                  |                |
| PMC0805-121-RC | 120         | 100              | 0.3          | 300         |                  |                |
| PMC0805-151-RC | 150         | 100              | 0.5          | 200         |                  |                |
| PMC0805-221-RC | 220         | 100              | 0.5          | 200         |                  |                |
| PMC0805-301-RC | 300         | 100              | 0.5          | 200         |                  |                |
| PMC0805-601-RC | 600         | 100              | 1.0          | 100         |                  |                |
| PMC0805-102-RC | 1000        | 100              | 1.0          | 100         | MG, MU, MZ3261   |                |
| PMC0805-152-RC | 1500        | 100              | 1.0          | 100         |                  |                |
| PMC0805-202-RC | 2000        | 100              | 1.5          | 100         |                  |                |
| PMC1206-300-RC | 30          | 100              | 0.2          | 500         |                  |                |
| PMC1206-600-RC | 60          | 100              | 0.3          | 400         |                  |                |
| PMC1206-750-RC | 75          | 100              | 0.3          | 400         |                  |                |
| PMC1206-101-RC | 100         | 100              | 0.3          | 400         |                  |                |
| PMC1206-121-RC | 120         | 100              | 0.3          | 400         |                  |                |
| PMC1206-151-RC | 150         | 100              | 0.5          | 400         |                  |                |
| PMC1206-221-RC | 220         | 100              | 0.5          | 400         |                  |                |
| PMC1206-301-RC | 300         | 100              | 0.5          | 200         |                  |                |
| PMC1206-601-RC | 600         | 100              | 0.5          | 200         |                  |                |
| PMC1206-102-RC | 1000        | 50               | 1.0          | 100         |                  |                |
| PMC1206-152-RC | 1500        | 50               | 1.0          | 100         |                  |                |
| PMC1206-202-RC | 2000        | 30               | 0.6          | 100         |                  |                |

Only available as RoHS compliant.

## Dimensions: mm

| Chip Size | Dim. A | Dim. B | Dim. C | Dim. D | Dim. E | Dim. F | Dim. G | Reel Size |
|-----------|--------|--------|--------|--------|--------|--------|--------|-----------|
| PMC0402   | 1.00   | 0.50   | 0.50   | 0.25   | 0.4    | 0.5    | 1.4    | 10,000    |
| PMC0603   | 1.60   | 0.80   | 0.80   | 0.5    | 0.6    | 0.8    | 2.6    | 4000      |
| PMC0805   | 2.00   | 1.25   | 0.90   | 0.5    | 1.0    | 1.0    | 3.0    | 4000      |
| PMC1206   | 3.20   | 1.60   | 1.10   | 0.5    | 2.2    | 1.4    | 4.4    | 3000      |

**BOURNS®**

Tel. (877) 426-8767 • Fax (951) 781-5006

www.bourns.com



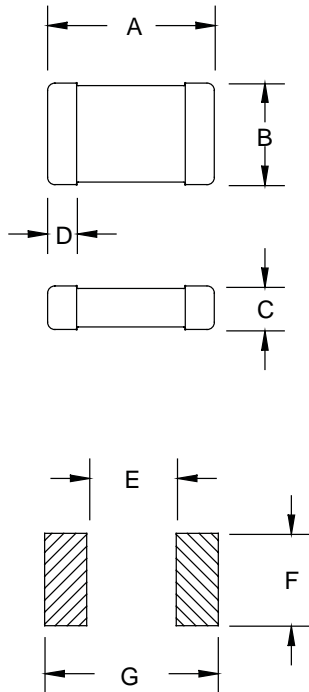
# Multilayer High-Current Ferrite Chip Beads

## Special Features

- High current capacity
- Reduce high frequency noise interference
- Multilayer construction for high reliability
- Solder coated terminals for wave and reflow solder
- Operating temperature: -55 to +125 °C

## Notes

- \* Current to cause 20 °C max. temperature rise



Pad Layout

| PMH Series     |                           |                 |               |                   |
|----------------|---------------------------|-----------------|---------------|-------------------|
| Part Number    | Z (Ω)<br>±25 %<br>@100MHz | DCR (Ω)<br>Max. | I, DC*<br>(A) | Bourns Equivalent |
| PMH0603-100-RC | 10                        | 0.01            | 5             | MH1608            |
| PMH0603-300-RC | 30                        | 0.03            | 3             |                   |
| PMH0603-600-RC | 60                        | 0.04            | 3             |                   |
| PMH0603-101-RC | 100                       | 0.05            | 2.5           |                   |
| PMH0603-121-RC | 120                       | 0.05            | 2.5           |                   |
| PMH0603-151-RC | 150                       | 0.1             | 2             |                   |
| PMH0603-221-RC | 220                       | 0.1             | 2             |                   |
| PMH0603-301-RC | 300                       | 0.1             | 2             |                   |
| PMH0603-601-RC | 600                       | 0.2             | 1             |                   |
| PMH0805-100-RC | 10                        | 0.01            | 6             |                   |
| PMH0805-300-RC | 30                        | 0.015           | 6             |                   |
| PMH0805-400-RC | 40                        | 0.02            | 5             |                   |
| PMH0805-600-RC | 60                        | 0.02            | 5             |                   |
| PMH0805-800-RC | 80                        | 0.02            | 5             |                   |
| PMH0805-101-RC | 100                       | 0.02            | 5             |                   |
| PMH0805-121-RC | 120                       | 0.02            | 5             |                   |
| PMH0805-201-RC | 200                       | 0.04            | 3             |                   |
| PMH0805-221-RC | 220                       | 0.04            | 3             |                   |
| PMH0805-301-RC | 300                       | 0.15            | 1             |                   |
| PMH0805-401-RC | 400                       | 0.1             | 2             |                   |
| PMH0805-601-RC | 600                       | 0.1             | 2             |                   |
| PMH0805-102-RC | 1000                      | 0.3             | .5            |                   |
| PMH1206-300-RC | 30                        | 0.03            | 4             | MH3261            |
| PMH1206-500-RC | 50                        | 0.03            | 4             |                   |
| PMH1206-700-RC | 70                        | 0.03            | 4             |                   |
| PMH1206-800-RC | 80                        | 0.03            | 4             |                   |
| PMH1206-900-RC | 90                        | 0.04            | 3             |                   |
| PMH1206-101-RC | 100                       | 0.04            | 3             |                   |
| PMH1206-121-RC | 120                       | 0.03            | 3             |                   |
| PMH1206-501-RC | 500                       | 0.1             | 1.5           |                   |
| PMH1206-601-RC | 600                       | 0.10            | 1.5           |                   |

Only available as RoHS compliant.

## Dimensions: mm

| Chip Size | Dim. A | Dim. B | Dim. C | Dim. D | Dim. E | Dim. F | Dim. G | Reel |
|-----------|--------|--------|--------|--------|--------|--------|--------|------|
| PMH0603   | 1.60   | 0.80   | 0.80   | 0.3    | 0.6    | 0.8    | 2.6    | 4000 |
| PMH0805   | 2.00   | 1.25   | 0.90   | 0.5    | 1.0    | 1.0    | 3.0    | 4000 |
| PMH1206   | 3.20   | 1.60   | 1.10   | 0.5    | 2.2    | 1.4    | 4.4    | 3000 |

**BOURNS®**

Tel. (877) 426-8767 • Fax (951) 781-5006

www.bourns.com

# High Current Ferrite Chip Beads

## Special Features

- High current capacity up to 5 A
- Low DC resistance
- Multiple sizes available
- Low cost
- Operating temperature: -55 to +125 °C
- Tape & reel packaged

## Typical Applications

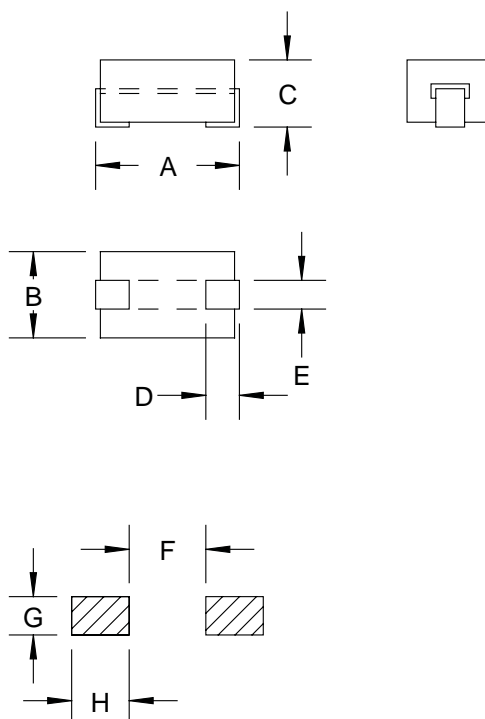
- EMI suppression
- Cordless phones
- Hand-held organizers
- High-frequency wireless communication devices
- Computer peripherals
- Notebook computers
- Printers
- Network cards
- Industrial electronics
- Entertainment electronic devices

| PM2000 Series |                 |                  |              |
|---------------|-----------------|------------------|--------------|
| Part Number   | Z (Ω)           | Z (Ω)            | DCR (Ω) Max. |
|               | ±25 %<br>@25MHz | ±25 %<br>@100MHz |              |
| PM2001-200-RC | 20              | 30               | 0.0005       |
| PM2002-300-RC | 30              | 47               | 0.0006       |
| PM2003-600-RC | 60              | 90               | 0.0009       |

Only available as RoHS compliant.

## Dimensions: mm

| Chip Size     | Dim. A | Dim. B | Dim. C | Dim. D | Dim. E | Dim. F (Ref) | Dim. G (Ref) | Dim. H (Ref) | Reel Size |
|---------------|--------|--------|--------|--------|--------|--------------|--------------|--------------|-----------|
| PM2001-200-RC | ±0.15  | ±0.10  | ±0.10  | ±0.20  | ±0.65  | (Ref)        | (Ref)        | (Ref)        | 1000      |
| PM2002-300-RC | 4.60   | 3.10   | 2.84   | 1.35   | 1.35   | 1.0          | 2.0          | 2.5          | 500       |
| PM2003-600-RC | 9.10   | 3.10   | 2.84   | 1.35   | 1.35   | 4.5          | 2.0          | 3.0          | 500       |



Pad Layout

**BOURNS®**

Tel. (877) 426-8767 • Fax (951) 781-5006

[www.bourns.com](http://www.bourns.com)

# Multilayer Chip Inductors

## Special Features

- Monolithic construction provides high reliability
- High Q characteristic
- High frequency application
- Ceramic material construction provides very stable electrical characteristics
- Operating temperature -25 to +105 °C
- Tape & reel packaged 10,000/reel

## Typical Applications

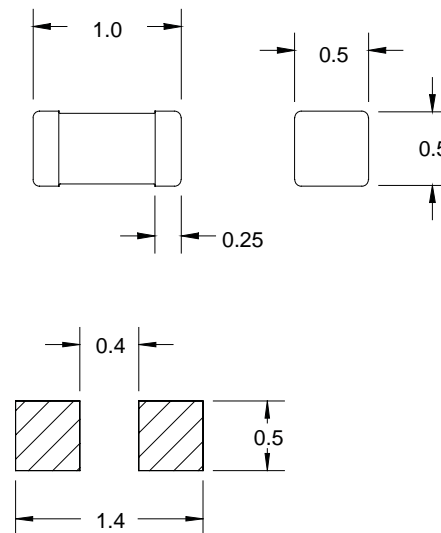
- Small cellular phones
- PDAs
- Pagers
- Handheld organizers
- High-frequency wireless communication devices
- Notebook computers
- Printers
- Network cards
- Industrial electronics
- Entertainment electronic devices

## Notes

- \* Current to cause 20 °C of temperature rise

| PM0402 Series  |                              |                       |                       |                      |                    |                            |                      |
|----------------|------------------------------|-----------------------|-----------------------|----------------------|--------------------|----------------------------|----------------------|
| Part Number    | L (nH)<br>±0.3nH<br>@ 100MHz | Q<br>Typ. @<br>100MHz | Q<br>Typ. @<br>800MHz | SRF<br>(MHz)<br>Typ. | DCR<br>(Ω)<br>Max. | I <sub>DC</sub> *<br>(mA)* | Bourns<br>Equivalent |
| PM0402-1N0-RC  | 1.0                          | 9                     | 32                    | 12000                | 0.12               | 300                        |                      |
| PM0402-1N2-RC  | 1.2                          | 9                     | 32                    | 12000                | 0.12               | 300                        |                      |
| PM0402-1N5-RC  | 1.5                          | 10                    | 32                    | 12000                | 0.13               | 300                        |                      |
| PM0402-1N8-RC  | 1.8                          | 10                    | 29                    | 10000                | 0.14               | 300                        |                      |
| PM0402-2N2-RC  | 2.2                          | 10                    | 28                    | 9000                 | 0.16               | 300                        |                      |
| PM0402-2N7-RC  | 2.7                          | 10                    | 28                    | 8000                 | 0.17               | 300                        |                      |
| PM0402-3N3-RC  | 3.3                          | 10                    | 27                    | 7000                 | 0.19               | 300                        |                      |
| PM0402-3N9-RC  | 3.9                          | 10                    | 27                    | 6000                 | 0.22               | 300                        |                      |
| PM0402-4N7-RC  | 4.7                          | 10                    | 27                    | 5000                 | 0.24               | 300                        |                      |
| PM0402-5N6-RC  | 5.6                          | 10                    | 27                    | 4700                 | 0.27               | 300                        |                      |
|                | ±5 %                         |                       |                       |                      |                    |                            |                      |
| PM0402-6N8J-RC | 6.8                          | 10                    | 27                    | 4500                 | 0.32               | 250                        | C1100505             |
| PM0402-8N2J-RC | 8.2                          | 10                    | 28                    | 3900                 | 0.37               | 250                        |                      |
| PM0402-10NJ-RC | 10                           | 10                    | 28                    | 3300                 | 0.42               | 250                        |                      |
| PM0402-12NJ-RC | 12                           | 10                    | 30                    | 2900                 | 0.50               | 250                        |                      |
| PM0402-15NJ-RC | 15                           | 10                    | 28                    | 2500                 | 0.55               | 250                        |                      |
| PM0402-18NJ-RC | 18                           | 10                    | 28                    | 2100                 | 0.65               | 200                        |                      |
| PM0402-22NJ-RC | 22                           | 10                    | 28                    | 1800                 | 0.80               | 200                        |                      |
| PM0402-27NJ-RC | 27                           | 10                    | 27                    | 1600                 | 0.90               | 200                        |                      |
| PM0402-33NJ-RC | 33                           | 11                    | 25                    | 1300                 | 1.0                | 200                        |                      |
| PM0402-39NJ-RC | 39                           | 11                    | 24                    | 1200                 | 1.2                | 150                        |                      |
| PM0402-47NJ-RC | 47                           | 11                    | 23                    | 1000                 | 1.3                | 150                        |                      |
| PM0402-56NJ-RC | 56                           | 11                    | 21                    | 750                  | 1.4                | 150                        |                      |

Only available as RoHS compliant.



Pad Layout

Dimensions: mm  
Tolerance: +/- 0.1

**BOURNS®**

Tel. (877) 426-8767 • Fax (951) 781-5006

www.bourns.com

# Multilayer Chip Inductors

## Special Features

- Ceramic core, wirewound for superior reliability
- High self resonant frequency
- Very stable electrical characteristic
- Flat top surface for automated pick & place
- Operating temperature -40 to +125 °C
- Tape & reel packaged 10,000/reel

## Typical Applications

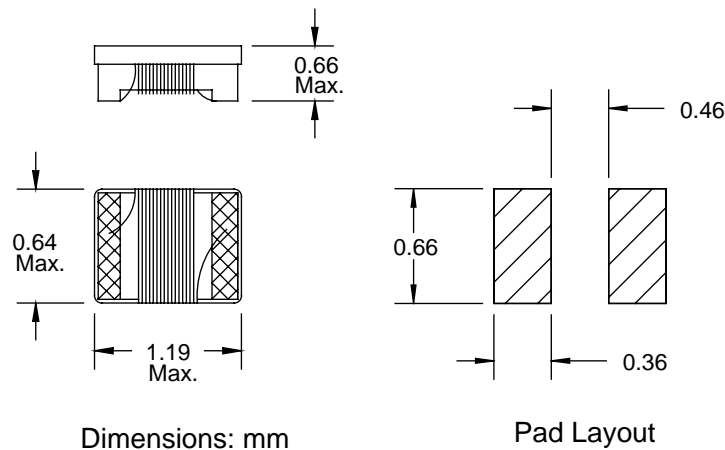
- Small cellular phones
- PDA
- Pagers
- Hand-held organizers
- High frequency wireless communication devices
- Laptop computers
- Network cards
- Industrial electronics
- Entertainment electronic devices

## Notes

\* Current to cause approx. 15 °C of temperature rise

| PM0402C Series |                   |          |                     |                         |                      |                  |                           |
|----------------|-------------------|----------|---------------------|-------------------------|----------------------|------------------|---------------------------|
| Part Number    | L (nH)<br>±0.3 nH | Q<br>Min | Test Freq.<br>(MHz) | Q Typ.<br>@900<br>(MHz) | SRF<br>(MHz)<br>Min. | DCR<br>Ω<br>Max. | I <sub>dc</sub> *<br>(mA) |
| PM0402C-1N0    | 1.0               | 16       | 250                 | 77                      | 6000                 | 0.045            | 1360                      |
| PM0402C-2N0    | 2.0               | 16       | 250                 | 54                      | 6000                 | 0.070            | 1040                      |
| PM0402C-2N2    | 2.2               | 19       | 250                 | 59                      | 6000                 | 0.070            | 960                       |
| PM0402C-3N3    | 3.3               | 19       | 250                 | 65                      | 6000                 | 0.066            | 840                       |
| PM0402C-3N6    | 3.6               | 19       | 250                 | 45                      | 6000                 | 0.066            | 840                       |
| PM0402C-3N9    | 3.9               | 19       | 250                 | 50                      | 5800                 | 0.066            | 840                       |
| ±5 %           |                   |          |                     |                         |                      |                  |                           |
| PM0402C-5N1J   | 5.1               | 20       | 250                 | 56                      | 5800                 | 0.083            | 800                       |
| PM0402C-5N6J   | 5.6               | 20       | 250                 | 54                      | 5800                 | 0.083            | 760                       |
| PM0402C-6N2J   | 6.2               | 20       | 250                 | 52                      | 5800                 | 0.083            | 760                       |
| PM0402C-7N5J   | 7.5               | 22       | 250                 | 60                      | 5800                 | 0.104            | 680                       |
| PM0402C-8N2J   | 8.2               | 22       | 250                 | 57                      | 4400                 | 0.104            | 680                       |
| PM0402C-9N0J   | 9.0               | 22       | 250                 | 62                      | 4160                 | 0.104            | 680                       |
| PM0402C-10NJ   | 10                | 21       | 250                 | 50                      | 3900                 | 0.195            | 480                       |
| PM0402C-11NJ   | 11                | 24       | 250                 | 52                      | 3680                 | 0.120            | 640                       |
| PM0402C-12NJ   | 12                | 24       | 250                 | 53                      | 3600                 | 0.120            | 640                       |
| PM0402C-15NJ   | 15                | 24       | 250                 | 55                      | 3280                 | 0.172            | 560                       |
| PM0402C-19NJ   | 19                | 24       | 250                 | 50                      | 3040                 | 0.202            | 480                       |
| PM0402C-23NJ   | 23                | 24       | 250                 | 49                      | 2720                 | 0.214            | 400                       |
| PM0402C-27NJ   | 27                | 24       | 250                 | 49                      | 2480                 | 0.298            | 400                       |
| PM0402C-36NJ   | 36                | 24       | 250                 | 44                      | 2320                 | 0.403            | 320                       |
| PM0402C-40NJ   | 40                | 24       | 250                 | 44                      | 2240                 | 0.438            | 320                       |
| PM0402C-47NJ   | 47                | 20       | 250                 | 38                      | 2100                 | 0.830            | 150                       |

For RoHS compliant version, add "-RC" to part number.



# Tight Tolerance High Frequency Chip Inductors

## Special Features

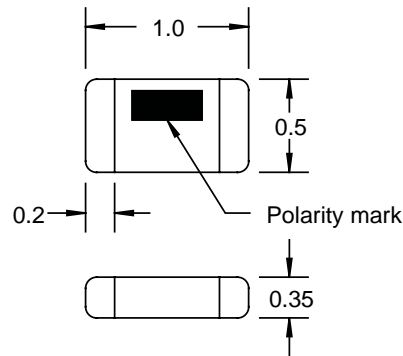
- Photolithographic design
- Tight inductance tolerance
- High self resonant frequency
- Excellent Q
- Stable characteristics
- Operating temperature: -55 to +125 °C
- Tape & reel packaged 10,000/reel

## Typical Applications

- High frequency circuits
- Cell phone
- Bluetooth
- LAN and WAN

| PM0402T Series  |                              |                        |                       |                     |             |                      |  |
|-----------------|------------------------------|------------------------|-----------------------|---------------------|-------------|----------------------|--|
| Part Number     | L (nH)<br>±0.2nH @<br>100MHz | Q (Min)/<br>Test Freq. | SRF<br>(Min)<br>(GHz) | DCR<br>(Ω)<br>(Max) | Idc<br>(mA) | Bourns<br>Equivalent |  |
| PM0402T-1N0-RC  | 1.0                          | 13 / 500MHz            | 6                     | 0.1                 | 400         | CM100505             |  |
| PM0402T-1N2-RC  | 1.2                          | 13 / 500MHz            | 6                     | 0.1                 | 390         |                      |  |
| PM0402T-1N5-RC  | 1.5                          | 13 / 500MHz            | 6                     | 0.2                 | 280         |                      |  |
| PM0402T-1N8-RC  | 1.8                          | 13 / 500MHz            | 6                     | 0.2                 | 280         |                      |  |
| PM0402T-2N2-RC  | 2.2                          | 13 / 500MHz            | 6                     | 0.3                 | 220         |                      |  |
| PM0402T-2N7-RC  | 2.7                          | 13 / 500MHz            | 6                     | 0.4                 | 220         |                      |  |
| PM0402T-3N3-RC  | 3.3                          | 13 / 500MHz            | 6                     | 0.5                 | 190         |                      |  |
| PM0402T-3N9-RC  | 3.9                          | 13 / 500MHz            | 6                     | 0.6                 | 170         |                      |  |
| PM0402T-4N7-RC  | 4.7                          | 13 / 500MHz            | 6                     | 0.7                 | 160         |                      |  |
| PM0402T-5N6-RC  | 5.6                          | 13 / 500MHz            | 6                     | 0.9                 | 140         |                      |  |
| PM0402T-6N8-RC  | 6.8                          | 13 / 500MHz            | 6                     | 1.1                 | 130         |                      |  |
| PM0402T-8N2-RC  | 8.2                          | 13 / 500MHz            | 5.5                   | 1.3                 | 110         |                      |  |
| ±2 %            |                              |                        |                       |                     |             |                      |  |
| PM0402T-10NG-RC | 10                           | 13 / 500MHz            | 4.5                   | 1.6                 | 100         |                      |  |
| PM0402T-12NG-RC | 12                           | 13 / 500MHz            | 3.7                   | 1.8                 | 90          |                      |  |
| PM0402T-15NG-RC | 15                           | 13 / 500MHz            | 3.3                   | 2.0                 | 90          |                      |  |
| PM0402T-18NG-RC | 18                           | 13 / 500MHz            | 3.1                   | 2.0                 | 80          |                      |  |
| PM0402T-22NG-RC | 22                           | 13 / 500MHz            | 2.8                   | 2.6                 | 70          |                      |  |

Only available as RoHS compliant.



Pad Layout

Dimensions: mm  
Tolerance: -/+ 0.1

**BOURNS®**

Tel. (877) 426-8767 • Fax (951) 781-5006

www.bourns.com

# Chip Inductors

## Special Features

- Ceramic core, wirewound for superior reliability
- High self-resonant frequency
- Very stable electrical characteristics
- Flat top surface for automated pick & place
- Operating temperature -40 to +125 °C
- Tape & reel packaged 3000/reel

## Typical Applications

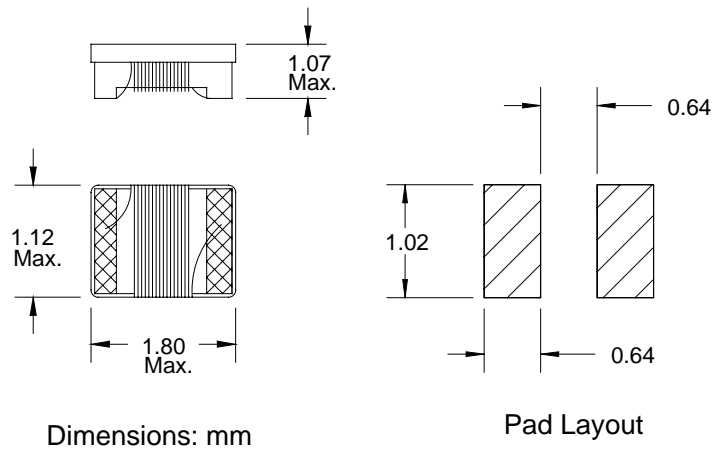
- Small cellular phones
- PDA
- Pagers
- Handheld organizers
- High frequency wireless communication devices
- Laptop computers
- Network cards
- Industrial electronics
- Entertainment electronic devices

## Notes

- \* Current to cause approx. 15 °C of temperature rise

| PM0603 Series |                    |           |                     |                      |                      |                    |                           |                      |  |
|---------------|--------------------|-----------|---------------------|----------------------|----------------------|--------------------|---------------------------|----------------------|--|
| Part Number   | L (nH)<br>± 0.3 nH | Q<br>Min. | Text Freq.<br>(MHz) | Q Typ.<br>@<br>900Mz | SRF<br>(MHz)<br>Min. | DCR<br>(Ω)<br>Max. | I <sub>dc</sub> *<br>(mA) | Bourns<br>Equivalent |  |
| PM0603-2N2    | 2.2                | 18        | 250                 | 38                   | 6900                 | 0.08               | 700                       | CW160808             |  |
| PM0603-3N9    | 3.9                | 22        | 250                 | 48                   | 6900                 | 0.08               | 700                       |                      |  |
| PM0603-4N7    | 4.7                | 20        | 250                 | 47                   | 5800                 | 0.13               | 700                       |                      |  |
|               | ±5 %               |           |                     |                      |                      |                    |                           |                      |  |
| PM0603-6N8J   | 6.8                | 28        | 250                 | 60                   | 5800                 | 0.11               | 700                       |                      |  |
| PM0603-8N2J   | 8.2                | 30        | 250                 | 62                   | 4600                 | 0.11               | 700                       |                      |  |
| PM0603-10NJ   | 10                 | 30        | 250                 | 60                   | 4800                 | 0.15               | 700                       |                      |  |
| PM0603-12NJ   | 12                 | 30        | 250                 | 65                   | 4000                 | 0.13               | 700                       |                      |  |
| PM0603-15NJ   | 15                 | 35        | 250                 | 69                   | 4000                 | 0.17               | 700                       |                      |  |
| PM0603-18NJ   | 18                 | 35        | 250                 | 75                   | 3100                 | 0.17               | 700                       |                      |  |
| PM0603-22NJ   | 22                 | 38        | 250                 | 70                   | 3000                 | 0.19               | 700                       |                      |  |
| PM0603-27NJ   | 27                 | 40        | 250                 | 75                   | 2800                 | 0.23               | 700                       |                      |  |
| PM0603-33NJ   | 33                 | 43        | 250                 | 78                   | 2300                 | 0.23               | 600                       |                      |  |
| PM0603-39NJ   | 39                 | 43        | 250                 | 60                   | 2200                 | 0.25               | 600                       |                      |  |
| PM0603-47NJ   | 47                 | 40        | 200                 | 65                   | 2000                 | 0.28               | 600                       |                      |  |
| PM0603-56NJ   | 56                 | 40        | 200                 | 65                   | 1900                 | 0.31               | 600                       |                      |  |
| PM0603-68NJ   | 68                 | 40        | 200                 | 55                   | 1700                 | 0.34               | 600                       |                      |  |
| PM0603-72NJ   | 72                 | 35        | 150                 | 53                   | 1700                 | 0.49               | 400                       |                      |  |
| PM0603-82NJ   | 82                 | 35        | 150                 | 55                   | 1700                 | 0.54               | 400                       |                      |  |
|               | (μH)               |           |                     |                      |                      |                    |                           |                      |  |
| PM0603-R10J   | 0.10               | 35        | 150                 | 50                   | 1400                 | 0.58               | 400                       |                      |  |
| PM0603-R12J   | 0.12               | 35        | 150                 | 40                   | 1300                 | 0.65               | 300                       |                      |  |
| PM0603-R15J   | 0.15               | 30        | 150                 | 28                   | 990                  | 0.92               | 280                       |                      |  |
| PM0603-R18J   | 0.18               | 30        | 100                 | 22                   | 990                  | 1.25               | 240                       |                      |  |
| PM0603-R22J   | 0.22               | 30        | 100                 | 20                   | 990                  | 2.10               | 200                       |                      |  |
| PM0603-R27J   | 0.27               | 30        | 100                 | 10                   | 990                  | 2.30               | 170                       |                      |  |

For RoHS compliant version, add "-RC" to part number.



**BOURNS®**

Tel. (877) 426-8767 • Fax (951) 781-5006

www.bourns.com

# Multilayer Chip Inductors, General Applications

## Special Features

- Monolithic construction provides high reliability
- High Q characteristic
- High frequency application
- Ferrite material construction provides magnetic shielding to reduce radiation
- Operating temperature -25 to +105 °C
- Tape & reel packaged 4000/reel

## Typical Applications

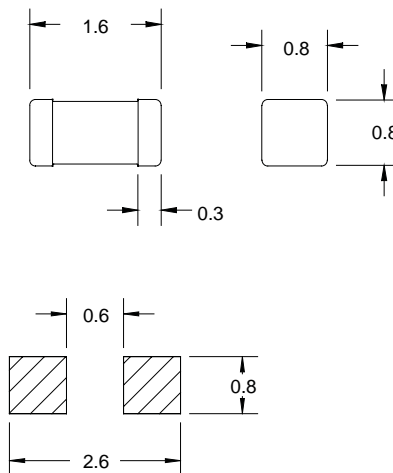
- Small cellular phones
- PDAs
- Pagers
- Hand-held organizers
- High frequency wireless communication devices
- Notebook computers
- Printers
- Network cards
- Industrial electronics
- Entertainment electronic devices

## Notes

- \* Current to cause 20 °C of temperature rise

| PM0603G Series   |                |           |                     |                      |                    |                |                   |
|------------------|----------------|-----------|---------------------|----------------------|--------------------|----------------|-------------------|
| Part Number      | L (μH)<br>±5 % | Q<br>Typ. | Test Freq.<br>(MHz) | SRF<br>(MHz)<br>Typ. | DCR<br>(Ω)<br>Max. | I, DC*<br>(mA) | Bourns Equivalent |
| PM0603G-R047J-RC | 0.047          | 10        | 50                  | 260                  | 0.30               | 50             |                   |
| PM0603G-R068J-RC | 0.068          | 10        | 50                  | 250                  | 0.30               | 50             |                   |
| PM0603G-R082J-RC | 0.082          | 10        | 50                  | 245                  | 0.30               | 50             |                   |
| PM0603G-R10J-RC  | 0.10           | 15        | 25                  | 240                  | 0.50               | 50             |                   |
| PM0603G-R12J-RC  | 0.12           | 15        | 25                  | 205                  | 0.50               | 50             |                   |
| PM0603G-R15J-RC  | 0.15           | 15        | 25                  | 180                  | 0.60               | 50             |                   |
| PM0603G-R18J-RC  | 0.18           | 15        | 25                  | 165                  | 0.60               | 50             |                   |
| PM0603G-R22J-RC  | 0.22           | 15        | 25                  | 150                  | 0.80               | 50             |                   |
| PM0603G-R27J-RC  | 0.27           | 15        | 25                  | 136                  | 0.80               | 50             |                   |
| PM0603G-R33J-RC  | 0.33           | 15        | 25                  | 125                  | 0.85               | 35             |                   |
| PM0603G-R39J-RC  | 0.39           | 15        | 25                  | 110                  | 1.00               | 35             |                   |
| PM0603G-R47J-RC  | 0.47           | 15        | 25                  | 105                  | 1.35               | 35             |                   |
| PM0603G-R56J-RC  | 0.56           | 15        | 25                  | 95                   | 1.55               | 35             |                   |
| PM0603G-R68J-RC  | 0.68           | 15        | 25                  | 80                   | 1.70               | 35             | CS160808          |
| PM0603G-R82J-RC  | 0.82           | 15        | 25                  | 75                   | 2.10               | 35             |                   |
| PM0603G-1R0J-RC  | 1.0            | 30        | 10                  | 70                   | 0.60               | 25             |                   |
| PM0603G-1R2J-RC  | 1.2            | 30        | 10                  | 60                   | 0.80               | 25             |                   |
| PM0603G-1R5J-RC  | 1.5            | 30        | 10                  | 55                   | 0.80               | 25             |                   |
| PM0603G-1R8J-RC  | 1.8            | 30        | 10                  | 50                   | 0.95               | 25             |                   |
| PM0603G-2R2J-RC  | 2.2            | 30        | 10                  | 45                   | 1.15               | 15             |                   |
| PM0603G-2R7J-RC  | 2.7            | 30        | 10                  | 40                   | 1.35               | 15             |                   |
|                  | ± 10 %         |           |                     |                      |                    |                |                   |
| PM0603G-3R3K-RC  | 3.3            | 30        | 10                  | 38                   | 1.55               | 15             |                   |
| PM0603G-3R9K-RC  | 3.9            | 30        | 10                  | 36                   | 1.70               | 15             |                   |
| PM0603G-4R7K-RC  | 4.7            | 30        | 10                  | 33                   | 2.10               | 15             |                   |
| PM0603G-5R6K-RC  | 5.6            | 30        | 4                   | 22                   | 1.55               | 15             |                   |

Only available as RoHS compliant.



Pad Layout

Dimensions: mm  
Tolerance: +/- 0.15

**BOURNS®**

Tel. (877) 426-8767 • Fax (951) 781-5006

www.bourns.com

# Multilayer Chip Inductors, High Frequency Applications

## Special Features

- Monolithic construction provides high reliability
- High Q characteristic
- High frequency application
- Ferrite material construction provides magnetic shielding to reduce radiation
- Operating temperature -25 to +105 °C
- Tape & reel packaged 4000/reel

## Typical Applications

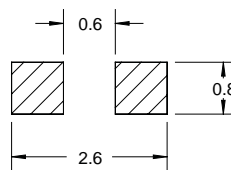
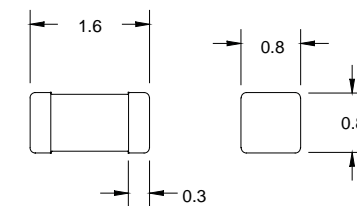
- Small cellular phones
- PDAs
- Pagers
- Hand-held organizers
- High frequency wireless communication devices
- Notebook computers
- Printers
- Network cards
- Industrial electronics
- Entertainment electronic devices

## Notes

- \* Current to cause 20 °C of temperature rise

| PM0603H Series   |                |               |               |            |          |        |                   |
|------------------|----------------|---------------|---------------|------------|----------|--------|-------------------|
| Part Number      | L (nH)         | Q             | Q             | SRF        | DCR      | I, DC* | Bourns Equivalent |
|                  | ±0.3nH @100MHz | Typ. @ 100MHz | Typ. @ 800MHz | (MHz) Typ. | (Ω) Max. | (mA)   |                   |
| PM0603H-1N5-RC   | 1.5            | 12            | 37            | 6000       | 0.10     | 300    | CM160808          |
| PM0603H-1N8-RC   | 1.8            | 12            | 37            | 6000       | 0.10     | 300    |                   |
| PM0603H-2N2-RC   | 2.2            | 12            | 38            | 6000       | 0.10     | 300    |                   |
| PM0603H-2N7-RC   | 2.7            | 13            | 41            | 6000       | 0.10     | 300    |                   |
| PM0603H-3N3-RC   | 3.3            | 14            | 45            | 5700       | 0.12     | 300    |                   |
| PM0603H-3N9-RC   | 3.9            | 13            | 43            | 5600       | 0.14     | 300    |                   |
| PM0603H-4N7-RC   | 4.7            | 13            | 43            | 4800       | 0.16     | 300    |                   |
| PM0603H-5N6-RC   | 5.6            | 14            | 42            | 4350       | 0.18     | 300    |                   |
|                  | ±5 %           |               |               |            |          |        |                   |
| PM0603H-6N8J-RC  | 6.8            | 14            | 43            | 3750       | 0.22     | 300    |                   |
| PM0603H-8N2J-RC  | 8.2            | 14            | 44            | 3300       | 0.24     | 300    |                   |
| PM0603H-10NJ-RC  | 10             | 14            | 44            | 2850       | 0.26     | 300    |                   |
| PM0603H-12NJ-RC  | 12             | 15            | 44            | 2700       | 0.28     | 300    |                   |
| PM0603H-15NJ-RC  | 15             | 15            | 46            | 2400       | 0.32     | 300    |                   |
| PM0603H-18NJ-RC  | 18             | 15            | 44            | 2050       | 0.35     | 300    |                   |
| PM0603H-22NJ-RC  | 22             | 16            | 44            | 1850       | 0.40     | 300    |                   |
| PM0603H-27NJ-RC  | 27             | 16            | 45            | 1750       | 0.45     | 300    |                   |
| PM0603H-33NJ-RC  | 33             | 16            | 46            | 1500       | 0.55     | 300    |                   |
| PM0603H-39NJ-RC  | 39             | 16            | 41            | 1350       | 0.60     | 300    |                   |
| PM0603H-47NJ-RC  | 47             | 16            | 38            | 1200       | 0.70     | 300    |                   |
| PM0603H-56NJ-RC  | 56             | 16            | 34            | 1150       | 0.75     | 300    |                   |
| PM0603H-68NJ-RC  | 68             | 16            | 30            | 1050       | 0.85     | 300    |                   |
| PM0603H-82NJ-RC  | 82             | 16            | 20            | 1000       | 0.95     | 300    |                   |
| PM0603H-100NJ-RC | 100            | 16            | 12            | 925        | 1.00     | 300    |                   |

Only available as RoHS compliant.



Pad Layout

Dimensions: mm  
Tolerance: +/- 0.15

**BOURNS®**

Tel. (877) 426-8767 • Fax (951) 781-5006

[www.bourns.com](http://www.bourns.com)



# PM0603T Tight Tolerance High Frequency Chip Inductors

## Special Features

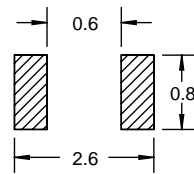
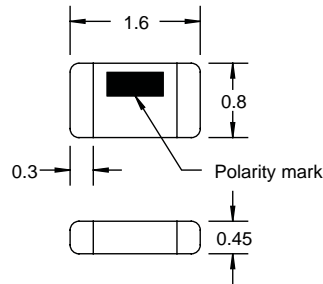
- Photolithographic design
- Tight inductance tolerance
- High self resonant frequency
- Excellent Q
- Stable characteristics
- Operating temperature: -55 to +125 °C
- Tape & reel packaged 5000/reel

## Typical Applications

- High frequency circuits
- Cell phone
- Bluetooth
- LAN and WAN

| PM0603T Series  |                              |                        |                       |                     |             |                      |  |
|-----------------|------------------------------|------------------------|-----------------------|---------------------|-------------|----------------------|--|
| Part Number     | L (nH)<br>±0.2nH @<br>100MHz | Q (Min)/<br>Test Freq. | SRF<br>(Min)<br>(GHz) | DCR<br>(Ω)<br>(Max) | Idc<br>(mA) | Bourns<br>Equivalent |  |
| PM0603T-1N0-RC  | 1.0                          | 17 / 300MHz            | 6                     | 0.2                 | 800         | CI160808             |  |
| PM0603T-1N2-RC  | 1.2                          | 17 / 300MHz            | 6                     | 0.2                 | 800         |                      |  |
| PM0603T-1N5-RC  | 1.5                          | 17 / 300MHz            | 6                     | 0.2                 | 800         |                      |  |
| PM0603T-1N8-RC  | 1.8                          | 17 / 300MHz            | 6                     | 0.2                 | 300         |                      |  |
| PM0603T-2N2-RC  | 2.2                          | 17 / 300MHz            | 6                     | 0.2                 | 300         |                      |  |
| PM0603T-2N7-RC  | 2.7                          | 17 / 300MHz            | 6                     | 0.2                 | 300         |                      |  |
| PM0603T-3N3-RC  | 3.3                          | 17 / 300MHz            | 6                     | 0.2                 | 300         |                      |  |
| PM0603T-3N9-RC  | 3.9                          | 17 / 300MHz            | 6                     | 0.2                 | 300         |                      |  |
| PM0603T-4N7-RC  | 4.7                          | 17 / 300MHz            | 5                     | 0.2                 | 300         |                      |  |
| PM0603T-5N6-RC  | 5.6                          | 17 / 300MHz            | 5                     | 0.5                 | 300         |                      |  |
| PM0603T-6N8-RC  | 6.8                          | 17 / 300MHz            | 5                     | 0.5                 | 300         |                      |  |
| PM0603T-8N2-RC  | 8.2                          | 17 / 300MHz            | 4                     | 0.5                 | 300         |                      |  |
| ±2 %            |                              |                        |                       |                     |             |                      |  |
| PM0603T-10NG-RC | 10                           | 15 / 300MHz            | 4                     | 1.0                 | 300         |                      |  |
| PM0603T-12NG-RC | 12                           | 15 / 300MHz            | 3                     | 1.0                 | 300         |                      |  |
| PM0603T-15NG-RC | 15                           | 15 / 300MHz            | 3                     | 1.0                 | 300         |                      |  |
| PM0603T-18NG-RC | 18                           | 15 / 300MHz            | 2                     | 2.0                 | 300         |                      |  |
| PM0603T-22NG-RC | 22                           | 15 / 300MHz            | 2                     | 2.0                 | 250         |                      |  |
| PM0603T-27NG-RC | 27                           | 15 / 300MHz            | 2                     | 2.0                 | 250         |                      |  |
| PM0603T-33NG-RC | 33                           | 15 / 300MHz            | 1.5                   | 2.0                 | 250         |                      |  |
| PM0603T-39NG-RC | 39                           | 15 / 300MHz            | 1.5                   | 3.0                 | 200         |                      |  |
| PM0603T-47NG-RC | 47                           | 15 / 300MHz            | 1.5                   | 3.0                 | 200         |                      |  |
| PM0603T-56NG-RC | 56                           | 15 / 300MHz            | 1                     | 5.0                 | 150         |                      |  |
| PM0603T-68NG-RC | 68                           | 15 / 300MHz            | 1                     | 5.0                 | 150         |                      |  |

Only available as RoHS compliant.



Pad Layout

Dimensions: mm  
Tolerance: +/- 0.1

# Chip Inductors

## Special Features

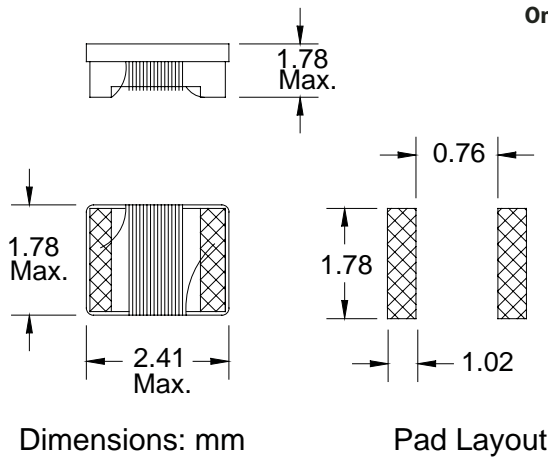
- Ceramic core, wirewound for superior reliability
- High self resonant frequency
- Very stable electrical characteristic
- Flat top surface for automated pick & place
- Operating temperature -55 to +125 °C
- Tape & reel packaged 2000/reel

## Notes

- \* Current to cause approx. 15 °C of temperature rise

| PM0805 Series  |                 |                    |       |                    |                |              |         |                   |
|----------------|-----------------|--------------------|-------|--------------------|----------------|--------------|---------|-------------------|
| Part Number    | L (nH)<br>±20 % | L Test Freq. (MHz) | Q Min | Q Test Freq. (MHz) | SRF (Mhz) Min. | DCR (Ω) Max. | I* (mA) | Bourns Equivalent |
| PM0805-2N2M-RC | 2.2             | 250                | 15    | 1500               | 6000           | 0.08         | 600     |                   |
| PM0805-3N3M-RC | 3.3             | 250                | 50    | 1500               | 6000           | 0.08         | 600     |                   |
| PM0805-6N8M-RC | 6.8             | 250                | 50    | 1000               | 5500           | 0.11         | 600     |                   |
| PM0805-8N2M-RC | 8.2             | 250                | 50    | 500                | 4700           | 0.12         | 600     |                   |
| PM0805-12NM-RC | 12              | 250                | 50    | 500                | 4000           | 0.15         | 600     |                   |
| PM0805-15NM-RC | 15              | 250                | 50    | 500                | 3400           | 0.17         | 600     |                   |
| PM0805-18NM-RC | 18              | 250                | 50    | 500                | 3300           | 0.20         | 600     |                   |
| PM0805-22NM-RC | 22              | 250                | 55    | 500                | 2600           | 0.22         | 500     |                   |
| PM0805-27NM-RC | 27              | 250                | 55    | 500                | 2500           | 0.25         | 500     |                   |
| PM0805-33NM-RC | 33              | 250                | 60    | 500                | 2050           | 0.27         | 500     |                   |
| PM0805-39NM-RC | 39              | 250                | 60    | 500                | 2000           | 0.29         | 500     |                   |
| PM0805-47NM-RC | 47              | 200                | 60    | 500                | 1650           | 0.31         | 500     |                   |
| ±10 %          |                 |                    |       |                    |                |              |         |                   |
| PM0805-56NK-RC | 56              | 200                | 60    | 500                | 1550           | 0.34         | 500     |                   |
| PM0805-68NK-RC | 68              | 200                | 60    | 500                | 1450           | 0.38         | 500     | CW201212          |
| PM0805-82NK-RC | 82              | 150                | 65    | 500                | 1300           | 0.42         | 400     |                   |
| L(μH)<br>±10 % |                 |                    |       |                    |                |              |         |                   |
| PM0805-R10K-RC | 0.10            | 150                | 65    | 500                | 1200           | 0.46         | 400     |                   |
| PM0805-R12K-RC | 0.12            | 150                | 50    | 250                | 1100           | 0.51         | 400     |                   |
| PM0805-R15K-RC | 0.15            | 100                | 50    | 250                | 920            | 0.56         | 400     |                   |
| PM0805-R18K-RC | 0.18            | 100                | 50    | 250                | 870            | 0.64         | 400     |                   |
| PM0805-R22K-RC | 0.22            | 100                | 50    | 250                | 850            | 0.70         | 400     |                   |
| PM0805-R27K-RC | 0.27            | 100                | 40    | 100                | 800            | 1.1          | 280     |                   |
| PM0805-R33K-RC | 0.33            | 100                | 40    | 100                | 750            | 1.2          | 260     |                   |
| PM0805-R39K-RC | 0.39            | 100                | 40    | 100                | 700            | 1.5          | 200     |                   |
| PM0805-R47K-RC | 0.47            | 100                | 40    | 100                | 650            | 2.5          | 170     |                   |
| PM0805-R56K-RC | 0.56            | 50                 | 40    | 50                 | 600            | 3.5          | 170     |                   |

Only available as RoHS compliant.



**BOURNS®**

Tel. (877) 426-8767 • Fax (951) 781-5006

[www.bourns.com](http://www.bourns.com)

# Multilayer Chip Inductors, General Applications

## Special Features

- Monolithic construction provides high reliability
- High Q characteristic
- High frequency application
- Ferrite material construction provides magnetic shielding to reduce radiation
- Operating temperature -25 to +105 °C
- Tape & reel packaged  
3000/reel (0.047-8.2 μH)  
4000/reel (10-30 μH)

## Typical Applications

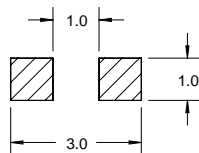
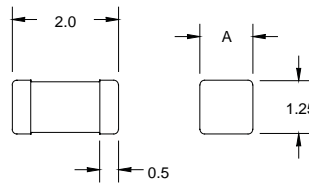
- Small cellular phones
- PDAs
- Pagers
- Hand-held organizers
- High frequency wireless communication devices
- Notebook computers
- Printers
- Network cards
- Industrial electronics
- Entertainment electronic devices

## Notes

- \* Current to cause 20 °C of temperature rise

| PM0805G Series   |                |           |                     |                      |                    |                |                         |                      |
|------------------|----------------|-----------|---------------------|----------------------|--------------------|----------------|-------------------------|----------------------|
| Part Number      | L (μH)<br>±5 % | Q<br>Typ. | Test Freq.<br>(MHz) | SRF<br>(MHz)<br>Typ. | DCR<br>(Ω)<br>Max. | I, DC*<br>(mA) | Thick<br>Dim. A<br>(mm) | Bourns<br>Equivalent |
| PM0805G-R047J-RC | 0.047          | 15        | 50                  | 320                  | 0.20               | 300            | 0.90                    |                      |
| PM0805G-R068J-RC | 0.068          | 15        | 50                  | 280                  | 0.20               | 300            | 0.90                    |                      |
| PM0805G-R082J-RC | 0.082          | 15        | 50                  | 255                  | 0.20               | 300            | 0.90                    |                      |
| PM0805G-R10J-RC  | 0.10           | 20        | 25                  | 235                  | 0.30               | 250            | 0.90                    |                      |
| PM0805G-R12J-RC  | 0.12           | 20        | 25                  | 220                  | 0.30               | 250            | 0.90                    |                      |
| PM0805G-R15J-RC  | 0.15           | 20        | 25                  | 200                  | 0.40               | 250            | 0.90                    |                      |
| PM0805G-R18J-RC  | 0.18           | 20        | 25                  | 185                  | 0.40               | 250            | 0.90                    |                      |
| PM0805G-R22J-RC  | 0.22           | 20        | 25                  | 170                  | 0.50               | 250            | 0.90                    |                      |
| PM0805G-R27J-RC  | 0.27           | 20        | 25                  | 150                  | 0.50               | 250            | 0.90                    |                      |
| PM0805G-R33J-RC  | 0.33           | 20        | 25                  | 145                  | 0.55               | 250            | 0.90                    |                      |
| PM0805G-R39J-RC  | 0.39           | 25        | 25                  | 135                  | 0.65               | 200            | 0.90                    |                      |
| PM0805G-R47J-RC  | 0.47           | 25        | 25                  | 125                  | 0.65               | 200            | 0.90                    |                      |
| PM0805G-R56J-RC  | 0.56           | 25        | 25                  | 115                  | 0.75               | 150            | 0.90                    |                      |
| PM0805G-R68J-RC  | 0.68           | 25        | 25                  | 105                  | 0.80               | 150            | 0.90                    |                      |
| PM0805G-R82J-RC  | 0.82           | 25        | 25                  | 100                  | 1.00               | 150            | 0.90                    |                      |
| PM0805G-1R0J-RC  | 1.0            | 45        | 10                  | 75                   | 0.40               | 50             | 0.90                    |                      |
| PM0805G-1R2J-RC  | 1.2            | 45        | 10                  | 65                   | 0.50               | 50             | 0.90                    |                      |
| PM0805G-1R5J-RC  | 1.5            | 45        | 10                  | 60                   | 0.50               | 50             | 0.90                    | CV201210             |
| PM0805G-1R8J-RC  | 1.8            | 45        | 10                  | 55                   | 0.60               | 50             | 0.90                    |                      |
| PM0805G-2R2J-RC  | 2.2            | 45        | 10                  | 50                   | 0.65               | 30             | 0.90                    |                      |
| PM0805G-2R7J-RC  | 2.7            | 45        | 10                  | 45                   | 0.75               | 30             | 0.90                    |                      |
| PM0805G-3R3J-RC  | 3.3            | 45        | 10                  | 41                   | 0.80               | 30             | 0.90                    |                      |
| PM0805G-3R9J-RC  | 3.9            | 45        | 10                  | 38                   | 0.90               | 30             | 0.90                    |                      |
| PM0805G-4R7J-RC  | 4.7            | 45        | 10                  | 35                   | 1.00               | 30             | 0.90                    |                      |
| PM0805G-5R6J-RC  | 5.6            | 45        | 4                   | 32                   | 0.90               | 15             | 0.90                    |                      |
| PM0805G-6R8J-RC  | 6.8            | 45        | 4                   | 29                   | 1.00               | 15             | 0.90                    |                      |
| PM0805G-8R2J-RC  | 8.2            | 45        | 4                   | 26                   | 1.10               | 15             | 0.90                    |                      |
| PM0805G-10J-RC   | 10             | 45        | 2                   | 24                   | 1.15               | 15             | 1.25                    |                      |
| ±20 %            |                |           |                     |                      |                    |                |                         |                      |
| PM0805G-120M-RC  | 12             | 45        | 2                   | 22                   | 1.25               | 15             | 1.25                    |                      |
| PM0805G-150M-RC  | 15             | 30        | 1                   | 19                   | 0.80               | 5              | 1.25                    |                      |
| PM0805G-180M-RC  | 18             | 30        | 1                   | 18                   | 0.90               | 5              | 1.25                    |                      |
| PM0805G-220M-RC  | 22             | 30        | 1                   | 16                   | 1.10               | 5              | 1.25                    |                      |
| PM0805G-270M-RC  | 27             | 30        | 1                   | 14                   | 1.15               | 5              | 1.25                    |                      |
| PM0805G-330M-RC  | 33             | 30        | 0.4                 | 13                   | 1.25               | 5              | 1.25                    |                      |

Only available as RoHS compliant.



Pad Layout

Dimensions: mm  
Tolerance: +/- 0.2

**BOURNS®**

Tel. (877) 426-8767 • Fax (951) 781-5006

www.bourns.com

# Multilayer Chip Inductors, High Frequency Applications

## Special Features

- Monolithic construction provides high reliability
- High Q characteristic
- High frequency application
- Ferrite material construction provides magnetic shielding to reduce radiation
- Operating temperature -25 to +105 °C
- Tape & reel packaged 4000/reel

## Typical Applications

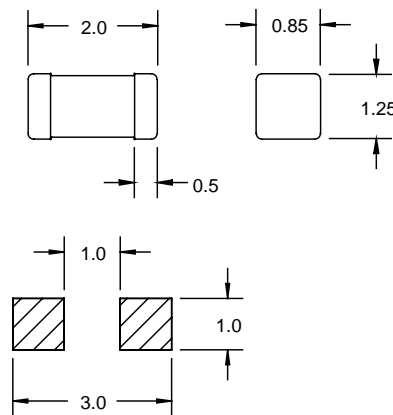
- Small cellular phones
- PDAs
- Pagers
- Hand-held organizers
- High frequency wireless communication devices
- Notebook computers
- Printers
- Network cards
- Industrial electronics
- Entertainment electronic devices

## Notes

- \* Current to cause 20 °C of temperature rise

| PM0805H Series   |                        |          |                     |                        |                      |                    |                               |                      |
|------------------|------------------------|----------|---------------------|------------------------|----------------------|--------------------|-------------------------------|----------------------|
| Part Number      | L (nH)<br>+/-<br>0.3nH | Q<br>Typ | Test Freq.<br>(MHz) | Q Typ.<br>@ 800<br>MHz | SRF<br>(MHz)<br>Typ. | DCR<br>(Ω)<br>Max. | I <sub>c</sub><br>DC*<br>(mA) | Bourns<br>Equivalent |
| PM0805H-1N5-RC   | 1.5                    | 10       | 100                 | 50                     | 6000                 | 0.10               | 300                           |                      |
| PM0805H-1N8-RC   | 1.8                    | 10       | 100                 | 52                     | 6000                 | 0.10               | 300                           |                      |
| PM0805H-2N2-RC   | 2.2                    | 11       | 100                 | 53                     | 6000                 | 0.10               | 300                           |                      |
| PM0805H-2N7-RC   | 2.7                    | 12       | 100                 | 56                     | 6000                 | 0.10               | 300                           |                      |
| PM0805H-3N3-RC   | 3.3                    | 13       | 100                 | 56                     | 6000                 | 0.13               | 300                           |                      |
| PM0805H-3N9-RC   | 3.9                    | 13       | 100                 | 58                     | 5400                 | 0.15               | 300                           |                      |
| PM0805H-4N7-RC   | 4.7                    | 14       | 100                 | 58                     | 4500                 | 0.20               | 300                           |                      |
| PM0805H-5N6-RC   | 5.6                    | 14       | 100                 | 60                     | 4000                 | 0.23               | 300                           |                      |
|                  | ±5 %                   |          |                     |                        |                      |                    |                               |                      |
| PM0805H-6N8J-RC  | 6.8                    | 15       | 100                 | 60                     | 3650                 | 0.25               | 300                           |                      |
| PM0805H-8N2J-RC  | 8.2                    | 15       | 100                 | 64                     | 3000                 | 0.28               | 300                           |                      |
| PM0805H-10NJ-RC  | 10                     | 15       | 100                 | 60                     | 2500                 | 0.30               | 300                           |                      |
| PM0805H-12NJ-RC  | 12                     | 16       | 100                 | 60                     | 2450                 | 0.35               | 300                           |                      |
| PM0805H-15NJ-RC  | 15                     | 16       | 100                 | 63                     | 2200                 | 0.40               | 300                           |                      |
| PM0805H-18NJ-RC  | 18                     | 17       | 100                 | 63                     | 1750                 | 0.45               | 300                           |                      |
| PM0805H-22NJ-RC  | 22                     | 18       | 100                 | 60                     | 1700                 | 0.50               | 300                           |                      |
| PM0805H-27NJ-RC  | 27                     | 17       | 100                 | 58                     | 1550                 | 0.55               | 300                           | CE201210             |
| PM0805H-33NJ-RC  | 33                     | 18       | 100                 | 55                     | 1350                 | 0.60               | 300                           |                      |
| PM0805H-39NJ-RC  | 39                     | 18       | 100                 | 47                     | 1300                 | 0.65               | 300                           |                      |
| PM0805H-47NJ-RC  | 47                     | 18       | 100                 | 43                     | 1200                 | 0.70               | 300                           |                      |
| PM0805H-56NJ-RC  | 56                     | 19       | 100                 | 39                     | 1150                 | 0.75               | 300                           |                      |
| PM0805H-68NJ-RC  | 68                     | 19       | 100                 | 30                     | 1000                 | 0.80               | 300                           |                      |
| PM0805H-82NJ-RC  | 82                     | 19       | 100                 | 10                     | 850                  | 0.90               | 300                           |                      |
| PM0805H-100NJ-RC | 100                    | 23       | 100                 | -                      | 700                  | 0.90               | 300                           |                      |
| PM0805H-120NJ-RC | 120                    | 16       | 50                  | -                      | 650                  | 0.95               | 300                           |                      |
| PM0805H-150NJ-RC | 150                    | 16       | 50                  | -                      | 550                  | 1.00               | 300                           |                      |
| PM0805H-180NJ-RC | 180                    | 16       | 50                  | -                      | 500                  | 1.10               | 300                           |                      |
| PM0805H-220NJ-RC | 220                    | 16       | 50                  | -                      | 430                  | 1.20               | 300                           |                      |
| PM0805H-270NJ-RC | 270                    | 18       | 50                  | -                      | 650                  | 0.95               | 300                           |                      |
| PM0805H-330NJ-RC | 330                    | 18       | 50                  | -                      | 550                  | 1.00               | 300                           |                      |
| PM0805H-390NJ-RC | 390                    | 18       | 50                  | -                      | 500                  | 1.10               | 300                           |                      |
| PM0805H-470NJ-RC | 470                    | 16       | 50                  | -                      | 430                  | 1.20               | 300                           |                      |

Only available as RoHS compliant.



Pad Layout

Dimensions: mm  
Tolerance: +/- 0.2

**BOURNS®**

Tel. (877) 426-8767 • Fax (951) 781-5006

www.bourns.com

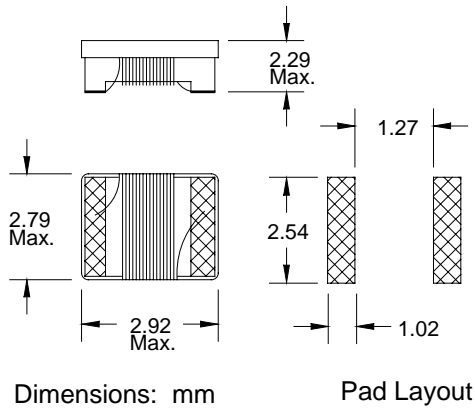
# Chip Inductors

## Special Features

- Ceramic core
- Wirewound for superior reliability
- High self-resonant frequency
- Very stable electrical characteristic on ceramic core
- Flat top surface for automated pick & place
- Operating temperature -55 to +125 °C
- Tape & reel packaged 2000/reel

## Notes

- \* Current to cause 15 °C max. temperature rise



| PM1008 Series |                 |                    |        |                    |                   |                 |             |                   |
|---------------|-----------------|--------------------|--------|--------------------|-------------------|-----------------|-------------|-------------------|
| Part Number   | L (nH)<br>±20 % | L Test Freq. (MHz) | Q Min. | Q Test Freq. (MHz) | SRF (MHz)<br>Min. | DCR (Ω)<br>Max. | I, DC* (mA) | Bourns Equivalent |
| PM1008-10NM   | 10              | 50                 | 50     | 500                | 4100              | 0.08            | 1000        |                   |
| PM1008-12NM   | 12              | 50                 | 50     | 500                | 3300              | 0.09            | 1000        |                   |
| PM1008-15NM   | 15              | 50                 | 50     | 500                | 2500              | 0.10            | 1000        |                   |
| PM1008-18NM   | 18              | 50                 | 50     | 350                | 2500              | 0.11            | 1000        |                   |
| PM1008-22NM   | 22              | 50                 | 55     | 350                | 2400              | 0.12            | 1000        |                   |
| PM1008-27NM   | 27              | 50                 | 55     | 350                | 1600              | 0.13            | 1000        |                   |
| PM1008-33NM   | 33              | 50                 | 60     | 350                | 1600              | 0.14            | 1000        |                   |
| PM1008-39NM   | 39              | 50                 | 60     | 350                | 1500              | 0.15            | 1000        |                   |
| PM1008-47NM   | 47              | 50                 | 65     | 350                | 1500              | 0.16            | 1000        |                   |
| ±10 %         |                 |                    |        |                    |                   |                 |             |                   |
| PM1008-56NK   | 56              | 50                 | 65     | 350                | 1300              | 0.18            | 1000        |                   |
| PM1008-68NK   | 68              | 50                 | 65     | 350                | 1300              | 0.20            | 1000        |                   |
| PM1008-82NK   | 82              | 50                 | 60     | 350                | 1000              | 0.22            | 1000        |                   |
| (μH)          |                 |                    |        |                    |                   |                 |             |                   |
| ±10 %         |                 |                    |        |                    |                   |                 |             |                   |
| PM1008-R10K   | 0.10            | 25                 | 60     | 350                | 1000              | 0.56            | 650         |                   |
| PM1008-R12K   | 0.12            | 25                 | 60     | 350                | 950               | 0.68            | 650         |                   |
| PM1008-R15K   | 0.15            | 25                 | 45     | 100                | 850               | 0.70            | 580         |                   |
| PM1008-R18K   | 0.18            | 25                 | 45     | 100                | 750               | 0.77            | 620         |                   |
| PM1008-R22K   | 0.22            | 25                 | 45     | 100                | 700               | 0.84            | 500         |                   |
| PM1008-R27K   | 0.27            | 25                 | 45     | 100                | 600               | 0.91            | 500         |                   |
| PM1008-R33K   | 0.33            | 25                 | 45     | 100                | 570               | 1.05            | 450         |                   |
| PM1008-R39K   | 0.39            | 25                 | 45     | 100                | 500               | 1.12            | 470         |                   |
| PM1008-R47K   | 0.47            | 25                 | 45     | 100                | 450               | 1.19            | 470         |                   |
| PM1008-R56K   | 0.56            | 25                 | 45     | 100                | 415               | 1.33            | 400         |                   |
| PM1008-R68K   | 0.68            | 25                 | 45     | 100                | 375               | 1.47            | 400         |                   |
| PM1008-R82K   | 0.82            | 25                 | 45     | 100                | 350               | 1.61            | 400         |                   |
| PM1008-1R0K   | 1.0             | 25                 | 35     | 50                 | 290               | 1.75            | 370         |                   |
| PM1008-1R2K   | 1.2             | 7.9                | 35     | 50                 | 250               | 2.00            | 340         |                   |
| PM1008-1R5K   | 1.5             | 7.9                | 28     | 50                 | 200               | 2.30            | 330         |                   |
| PM1008-1R8K   | 1.8             | 7.9                | 28     | 50                 | 160               | 2.60            | 300         |                   |
| PM1008-2R2K   | 2.2             | 7.9                | 28     | 50                 | 160               | 2.80            | 290         |                   |
| PM1008-2R7K   | 2.7             | 7.9                | 22     | 25                 | 140               | 3.20            | 290         |                   |
| PM1008-3R3K   | 3.3             | 7.9                | 22     | 25                 | 110               | 3.40            | 290         |                   |
| PM1008-3R9K   | 3.9             | 7.9                | 20     | 25                 | 100               | 3.60            | 260         |                   |
| PM1008-4R7K   | 4.7             | 7.9                | 20     | 25                 | 90                | 4.00            | 260         |                   |
| PM1008-5R6K   | 5.6             | 7.9                | 20     | 25                 | 55                | 7.00            | 200         |                   |
| PM1008-6R8K   | 6.8             | 7.9                | 20     | 25                 | 45                | 8.00            | 180         |                   |
| PM1008-8R2K   | 8.2             | 7.9                | 20     | 25                 | 35                | 9.50            | 150         |                   |
| PM1008-100K   | 10              | 7.9                | 20     | 25                 | 25                | 12.0            | 100         |                   |

CW252016

For RoHS compliant version, add "-RC" to part number.

# Chip Inductors

## Special Features

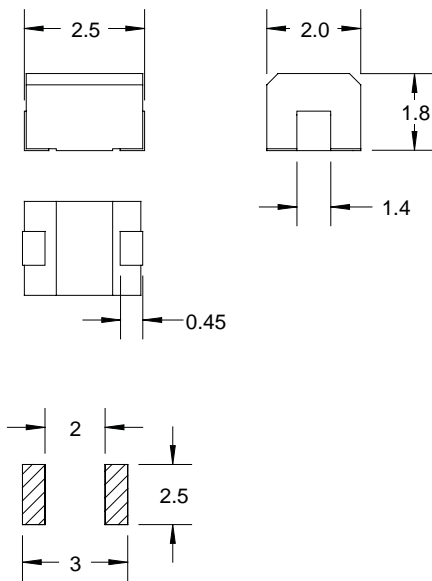
- Molded construction for high reliability and superior environmental protection
- High resistance to solder heat, moisture
- Ferrite bobbin core
- Operating temperature -25 to +85 °C
- Tape & reel packaged 2000/reel

## Typical Applications

- Desktop, notebook computers, servers
- Network hubs, bridges, routers
- xDSL, PBX base stations
- Cell phones, pagers, GPS systems
- PDAs, MP3 players, digital cameras
- Digital TVs, DVDs, cable modems, DSS set-top boxes
- Battery chargers
- High frequency wireless communication devices
- Electronic game devices

## Notes

- \* Rated current to cause 20 °C temperature rise



Pad Layout

Dimensions: mm  
Tolerance: +/-0.2

| PM1008M Series   |                 |          |                     |                      |                    |              |                   |
|------------------|-----------------|----------|---------------------|----------------------|--------------------|--------------|-------------------|
| Part Number      | L (μH)<br>±20 % | Q<br>Min | Test Freq.<br>(MHz) | SRF<br>(MHz)<br>Min. | DCR<br>(Ω)<br>Max. | Idc*<br>(mA) | Bourns Equivalent |
| PM1008M-R010M-RC | 0.010           | 26       | 100                 | 2150                 | 0.26               | 530          |                   |
| PM1008M-R012M-RC | 0.012           | 26       | 100                 | 2050                 | 0.27               | 500          |                   |
| PM1008M-R015M-RC | 0.015           | 26       | 100                 | 1850                 | 0.31               | 480          |                   |
| PM1008M-R018M-RC | 0.018           | 26       | 100                 | 1650                 | 0.34               | 450          |                   |
| PM1008M-R022M-RC | 0.022           | 28       | 100                 | 1550                 | 0.38               | 420          |                   |
| PM1008M-R027M-RC | 0.027           | 29       | 100                 | 1400                 | 0.42               | 410          |                   |
| PM1008M-R033M-RC | 0.033           | 30       | 100                 | 1250                 | 0.46               | 400          |                   |
| PM1008M-R039M-RC | 0.039           | 30       | 100                 | 1100                 | 0.50               | 380          |                   |
| PM1008M-R047M-RC | 0.047           | 30       | 100                 | 1050                 | 0.56               | 360          |                   |
| PM1008M-R056M-RC | 0.056           | 31       | 100                 | 950                  | 0.65               | 340          |                   |
| PM1008M-R068M-RC | 0.068           | 31       | 100                 | 900                  | 0.70               | 320          |                   |
| PM1008M-R082M-RC | 0.082           | 32       | 100                 | 850                  | 0.75               | 300          |                   |
| PM1008M-R10M-RC  | 0.10            | 32       | 100                 | 700                  | 0.80               | 280          |                   |
| PM1008M-R12M-RC  | 0.12            | 30       | 25.2                | 600                  | 0.37               | 520          |                   |
| PM1008M-R15M-RC  | 0.15            | 30       | 25.2                | 550                  | 0.42               | 480          |                   |
| PM1008M-R18M-RC  | 0.18            | 30       | 25.2                | 500                  | 0.46               | 460          |                   |
| PM1008M-R22M-RC  | 0.22            | 30       | 25.2                | 450                  | 0.52               | 430          |                   |
| PM1008M-R27M-RC  | 0.27            | 30       | 25.2                | 425                  | 0.56               | 420          |                   |
| PM1008M-R33M-RC  | 0.33            | 30       | 25.2                | 400                  | 0.60               | 400          |                   |
| PM1008M-R39M-RC  | 0.39            | 30       | 25.2                | 375                  | 0.65               | 375          |                   |
| PM1008M-R47M-RC  | 0.47            | 30       | 25.2                | 350                  | 0.68               | 350          |                   |
| PM1008M-R56M-RC  | 0.56            | 30       | 25.2                | 300                  | 0.75               | 325          |                   |
| PM1008M-R68M-RC  | 0.68            | 30       | 25.2                | 270                  | 0.85               | 300          |                   |
| PM1008M-R82M-RC  | 0.82            | 30       | 25.2                | 250                  | 1.00               | 260          |                   |
|                  | ±10 %           |          |                     |                      |                    |              |                   |
| PM1008M-1R0K-RC  | 1.0             | 30       | 7.96                | 220                  | 1.10               | 245          | CM252016          |
| PM1008M-1R2K-RC  | 1.2             | 30       | 7.96                | 180                  | 1.20               | 230          |                   |
| PM1008M-1R5K-RC  | 1.5             | 30       | 7.96                | 135                  | 1.30               | 220          |                   |
| PM1008M-1R8K-RC  | 1.8             | 30       | 7.96                | 100                  | 1.45               | 210          |                   |
| PM1008M-2R2K-RC  | 2.2             | 30       | 7.96                | 75                   | 1.55               | 200          |                   |
| PM1008M-2R7K-RC  | 2.7             | 30       | 7.96                | 55                   | 1.70               | 195          |                   |
| PM1008M-3R3K-RC  | 3.3             | 30       | 7.96                | 48                   | 1.90               | 185          |                   |
| PM1008M-3R9K-RC  | 3.9             | 25       | 7.96                | 43                   | 2.10               | 180          |                   |
| PM1008M-4R7K-RC  | 4.7             | 25       | 7.96                | 40                   | 2.30               | 175          |                   |
| PM1008M-5R6K-RC  | 5.6             | 25       | 7.96                | 36                   | 2.50               | 170          |                   |
| PM1008M-6R8K-RC  | 6.8             | 25       | 7.96                | 33                   | 2.70               | 165          |                   |
| PM1008M-8R2K-RC  | 8.2             | 25       | 7.96                | 30                   | 3.05               | 160          |                   |
| PM1008M-100K-RC  | 10              | 25       | 2.52                | 27                   | 3.50               | 155          |                   |
| PM1008M-120K-RC  | 12              | 25       | 2.52                | 23                   | 3.80               | 150          |                   |
| PM1008M-150K-RC  | 15              | 25       | 2.52                | 20                   | 4.40               | 140          |                   |
| PM1008M-180K-RC  | 18              | 25       | 2.52                | 18                   | 4.80               | 130          |                   |
| PM1008M-220K-RC  | 22              | 25       | 2.52                | 17                   | 5.50               | 125          |                   |
| PM1008M-270K-RC  | 27              | 25       | 2.52                | 16                   | 6.30               | 115          |                   |
| PM1008M-330K-RC  | 33              | 25       | 2.52                | 15                   | 7.10               | 110          |                   |
| PM1008M-390K-RC  | 39              | 20       | 2.52                | 14                   | 9.50               | 90           |                   |
| PM1008M-470K-RC  | 47              | 20       | 2.52                | 13                   | 11.1               | 80           |                   |
| PM1008M-560K-RC  | 56              | 20       | 2.52                | 12                   | 12.1               | 75           |                   |
| PM1008M-680K-RC  | 68              | 20       | 2.52                | 11                   | 16.6               | 70           |                   |
| PM1008M-820K-RC  | 82              | 20       | 2.52                | 10                   | 19.0               | 65           |                   |
| PM1008M-101K-RC  | 100             | 15       | 0.796               | 9                    | 21.0               | 60           |                   |

Only available as RoHS compliant.

**BOURNS®**

Tel. (877) 426-8767 • Fax (951) 781-5006

www.bourns.com

# Shielded Chip Inductors

## Special Features

- Magnetic shielded for low radiation
- Miniature size
- High heat resistance, ideal for reflow soldering
- High reliability
- Operating temperature -40 to +85 °C
- Tape & reel packaged 750/reel

## Typical Applications

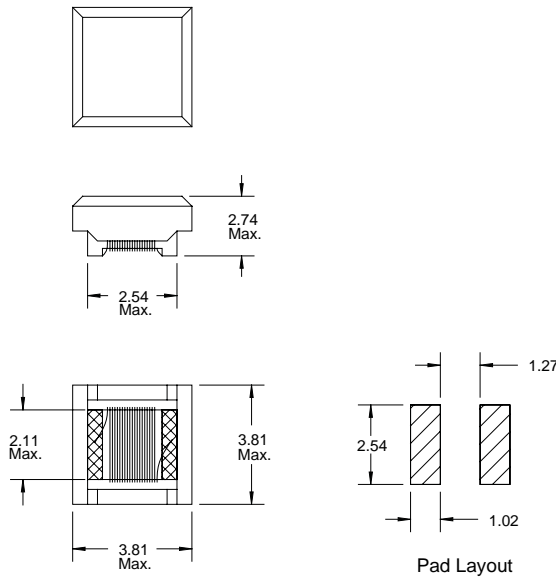
- PC cards
- PDA
- Hand-held organizers
- High frequency wireless communication devices
- Laptop computers
- Network cards
- Industrial electronics
- Entertainment electronic devices

## Notes

\* Current to cause 10 % inductance drop

| PM1008S Series |                  |          |           |         |                        |
|----------------|------------------|----------|-----------|---------|------------------------|
| Part Number    | L (µH) @ 100 KHz | Q @ 1MHz | SRF (MHz) | DCR (Ω) | I <sub>dc</sub> * (mA) |
|                | ±20 %            | Min.     | Min.      | Max.    |                        |
| PM1008S-1R0M   | 1.0              | 35       | 344       | 0.05    | 3000                   |
| PM1008S-1R5M   | 1.5              | 35       | 260       | 0.06    | 2800                   |
| PM1008S-1R8M   | 1.8              | 35       | 225       | 0.09    | 2000                   |
| PM1008S-2R7M   | 2.7              | 38       | 185       | 0.14    | 1300                   |
| PM1008S-3R9M   | 3.9              | 38       | 175       | 0.26    | 1200                   |
| PM1008S-4R7M   | 4.7              | 38       | 160       | 0.35    | 1000                   |
| PM1008S-5R6M   | 5.6              | 38       | 150       | 0.40    | 1000                   |
| PM1008S-6R8M   | 6.8              | 38       | 120       | 0.60    | 850                    |
| PM1008S-100M   | 10               | 38       | 105       | 0.95    | 780                    |
| PM1008S-150M   | 15               | 38       | 35        | 1.15    | 700                    |
| PM1008S-220M   | 22               | 40       | 26        | 1.40    | 650                    |
| PM1008S-330M   | 33               | 45       | 20        | 1.60    | 500                    |
| PM1008S-390M   | 39               | 45       | 16        | 1.85    | 450                    |
| PM1008S-470M   | 47               | 45       | 14        | 2.50    | 400                    |
| PM1008S-680M   | 68               | 45       | 12        | 3.80    | 300                    |
| PM1008S-820M   | 82               | 45       | 9         | 4.20    | 280                    |
| PM1008S-101M   | 100              | 45       | 7         | 5.80    | 260                    |
| PM1008S-121M   | 120              | 50       | 6         | 6.20    | 250                    |
| PM1008S-151M   | 150              | 50       | 5.6       | 7.50    | 220                    |
| PM1008S-221M   | 220              | 55       | 4.5       | 10.0    | 210                    |
| PM1008S-331M   | 330              | 55       | 3.8       | 11.5    | 200                    |
| PM1008S-471M   | 470              | 55       | 3         | 16.5    | 160                    |
| PM1008S-561M   | 560              | 55       | 2.8       | 18.0    | 130                    |
| PM1008S-681M   | 680              | 55       | 2.5       | 24.0    | 120                    |
| PM1008S-821M   | 820              | 45       | 1.5       | 26.0    | 100                    |
| PM1008S-102M   | 1000             | 45       | 1.3       | 30.0    | 100                    |

For RoHS compliant version, add "-RC" to part number.



Dimensions: mm

**BOURNS®**

Tel. (877) 426-8767 • Fax (951) 781-5006

[www.bourns.com](http://www.bourns.com)

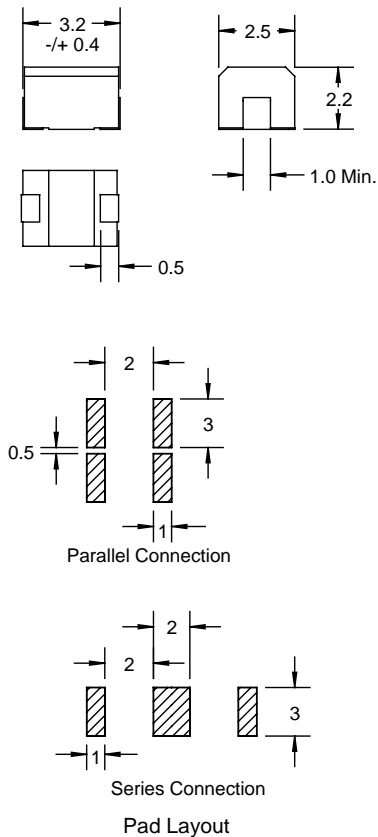
# Chip Inductors

## Special Features

- Molded construction for high reliability and superior environmental protection
- High resistance to solder heat, moisture
- Ferrite bobbin core
- Operating temperature -55 to +105 °C
- Tape & reel packaged 2000/reel

## Notes

- \* Current to cause 20 °C max. temperature rise



Dimensions: mm  
Tolerance: +/-0.2

| PM1210 Series |                 |          |                     |                      |                    |                |                   |
|---------------|-----------------|----------|---------------------|----------------------|--------------------|----------------|-------------------|
| Part Number   | L (μH)<br>±10 % | Q<br>Min | Test Freq.<br>(MHz) | SRF<br>(MHz)<br>Min. | DCR<br>(Ω)<br>Max. | I, DC*<br>(mA) | Bourns Equivalent |
| PM1210-R010K  | 0.010           | 15       | 100                 | 2500                 | 0.13               | 450            |                   |
| PM1210-R012K  | 0.012           | 17       | 100                 | 2300                 | 0.14               | 450            |                   |
| PM1210-R015K  | 0.015           | 19       | 100                 | 2100                 | 0.16               | 450            |                   |
| PM1210-R018K  | 0.018           | 21       | 100                 | 1900                 | 0.18               | 450            |                   |
| PM1210-R022K  | 0.022           | 23       | 100                 | 1700                 | 0.20               | 450            |                   |
| PM1210-R027K  | 0.027           | 23       | 100                 | 1500                 | 0.22               | 450            |                   |
| PM1210-R033K  | 0.033           | 25       | 100                 | 1400                 | 0.24               | 450            |                   |
| PM1210-R039K  | 0.039           | 25       | 100                 | 1300                 | 0.27               | 450            |                   |
| PM1210-R047K  | 0.047           | 26       | 100                 | 1200                 | 0.30               | 450            |                   |
| PM1210-R056K  | 0.056           | 26       | 100                 | 1100                 | 0.33               | 450            |                   |
| PM1210-R068K  | 0.068           | 27       | 100                 | 1000                 | 0.36               | 450            |                   |
| PM1210-R082K  | 0.082           | 27       | 100                 | 900                  | 0.40               | 450            |                   |
| ±5 %          |                 |          |                     |                      |                    |                |                   |
| PM1210-R10J   | 0.10            | 28       | 100                 | 700                  | 0.44               | 450            |                   |
| PM1210-R12J   | 0.12            | 28       | 25.2                | 500                  | 0.22               | 450            |                   |
| PM1210-R15J   | 0.15            | 28       | 25.2                | 450                  | 0.25               | 450            |                   |
| PM1210-R18J   | 0.18            | 28       | 25.2                | 400                  | 0.28               | 450            |                   |
| PM1210-R22J   | 0.22            | 28       | 25.2                | 350                  | 0.32               | 450            |                   |
| PM1210-R27J   | 0.27            | 28       | 25.2                | 320                  | 0.36               | 450            |                   |
| PM1210-R33J   | 0.33            | 28       | 25.2                | 300                  | 0.40               | 450            |                   |
| PM1210-R39J   | 0.39            | 28       | 25.2                | 250                  | 0.45               | 450            |                   |
| PM1210-R47J   | 0.47            | 28       | 25.2                | 220                  | 0.50               | 450            |                   |
| PM1210-R56J   | 0.56            | 28       | 25.2                | 180                  | 0.55               | 450            |                   |
| PM1210-R68J   | 0.68            | 28       | 25.2                | 160                  | 0.60               | 450            |                   |
| PM1210-R82J   | 0.82            | 28       | 25.2                | 140                  | 0.65               | 450            |                   |
| PM1210-1R0J   | 1.0             | 28       | 7.96                | 120                  | 0.70               | 400            |                   |
| PM1210-1R2J   | 1.2             | 28       | 7.96                | 100                  | 0.75               | 390            |                   |
| PM1210-1R5J   | 1.5             | 28       | 7.96                | 85                   | 0.85               | 370            |                   |
| PM1210-1R8J   | 1.8             | 28       | 7.96                | 80                   | 0.90               | 350            |                   |
| PM1210-2R2J   | 2.2             | 30       | 7.96                | 75                   | 1.0                | 320            |                   |
| PM1210-2R7J   | 2.7             | 30       | 7.96                | 70                   | 1.1                | 290            |                   |
| PM1210-3R3J   | 3.3             | 30       | 7.96                | 60                   | 1.2                | 260            |                   |
| PM1210-3R9J   | 3.9             | 30       | 7.96                | 55                   | 1.3                | 250            |                   |
| PM1210-4R7J   | 4.7             | 30       | 7.96                | 50                   | 1.7                | 220            |                   |
| PM1210-5R6J   | 5.6             | 30       | 7.96                | 47                   | 1.8                | 200            |                   |
| PM1210-6R8J   | 6.8             | 30       | 7.96                | 43                   | 2.0                | 180            |                   |
| PM1210-8R2J   | 8.2             | 30       | 7.96                | 40                   | 2.3                | 170            |                   |
| PM1210-100J   | 10              | 30       | 2.52                | 36                   | 2.5                | 150            |                   |
| PM1210-120J   | 12              | 30       | 2.52                | 33                   | 2.8                | 140            |                   |
| PM1210-150J   | 15              | 30       | 2.52                | 30                   | 3.2                | 130            |                   |
| PM1210-180J   | 18              | 30       | 2.52                | 27                   | 3.6                | 120            |                   |
| PM1210-220J   | 22              | 30       | 2.52                | 25                   | 4.0                | 110            |                   |
| PM1210-270J   | 27              | 30       | 2.52                | 20                   | 5.0                | 80             |                   |
| PM1210-330J   | 33              | 30       | 2.52                | 17                   | 5.6                | 70             |                   |
| PM1210-390J   | 39              | 30       | 2.52                | 16                   | 6.4                | 65             |                   |
| PM1210-470J   | 47              | 30       | 2.52                | 15                   | 7.0                | 60             |                   |
| PM1210-560J   | 56              | 30       | 2.52                | 13                   | 8.0                | 55             |                   |
| PM1210-680J   | 68              | 30       | 2.52                | 12                   | 9.0                | 50             |                   |
| PM1210-820J   | 82              | 30       | 2.52                | 11                   | 10                 | 45             |                   |
| PM1210-101J   | 100             | 20       | 0.796               | 10                   | 10                 | 40             |                   |
| PM1210-121J   | 120             | 20       | 0.796               | 10                   | 11                 | 70             |                   |
| PM1210-151J   | 150             | 20       | 0.796               | 8                    | 15                 | 65             |                   |
| PM1210-181J   | 180             | 20       | 0.796               | 7                    | 17                 | 60             |                   |
| PM1210-221J   | 220             | 20       | 0.796               | 7                    | 21                 | 50             |                   |

CM322522

For RoHS compliant version, add "-RC" to part number.

**BOURNS®**

Tel. (877) 426-8767 • Fax (951) 781-5006

www.bourns.com



# Multilayer Chip Inductors

## Special Features

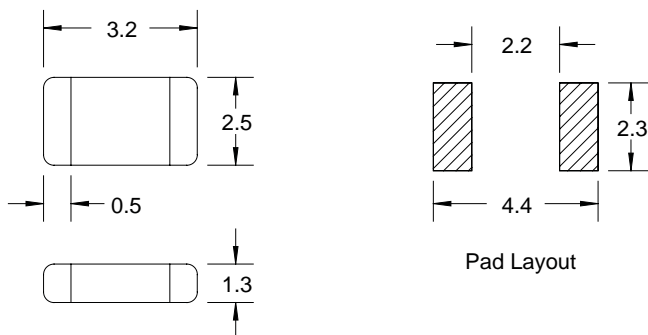
- Monolithic construction provides high reliability
- High Q characteristic
- High frequency application
- Ferrite material construction provides magnetic shielding to reduce radiation
- Low profile
- Operating temperature -25 to +125 °C
- Tape & reel packaged 2500 / reel

## Typical Applications

- Personal computers
- Notebook computers
- Printers
- Hard disk drivers
- Computer peripherals
- Digital TVs, VCRs
- Consumer electronics

| PM1210G Series  |                 |          |                     |                     |                   |             |                   |
|-----------------|-----------------|----------|---------------------|---------------------|-------------------|-------------|-------------------|
| Part Number     | L (µH)<br>±10 % | Q<br>Min | Test Freq.<br>(MHz) | SRF<br>(KHz)<br>Min | DCR<br>(Ω)<br>Max | Idc<br>(mA) | Bourns Equivalent |
| PM1210G-R12K-RC | 0.12            | 30       | 25.2                | 500                 | 0.22              | 450         |                   |
| PM1210G-R15K-RC | 0.15            | 30       | 25.2                | 450                 | 0.25              | 450         |                   |
| PM1210G-R18K-RC | 0.18            | 30       | 25.2                | 400                 | 0.28              | 450         |                   |
| PM1210G-R22K-RC | 0.22            | 30       | 25.2                | 350                 | 0.32              | 450         |                   |
| PM1210G-R27K-RC | 0.27            | 30       | 25.2                | 320                 | 0.36              | 450         |                   |
| PM1210G-R33K-RC | 0.33            | 30       | 25.2                | 300                 | 0.40              | 450         |                   |
| PM1210G-R39K-RC | 0.39            | 30       | 25.2                | 250                 | 0.45              | 450         |                   |
| PM1210G-R47K-RC | 0.47            | 30       | 25.2                | 220                 | 0.50              | 450         |                   |
| PM1210G-R56K-RC | 0.56            | 30       | 25.2                | 180                 | 0.55              | 450         |                   |
| PM1210G-R68K-RC | 0.68            | 30       | 25.2                | 160                 | 0.60              | 450         |                   |
| PM1210G-R82K-RC | 0.82            | 30       | 25.2                | 140                 | 0.65              | 450         |                   |
| PM1210G-1R0K-RC | 1.0             | 30       | 7.96                | 120                 | 0.70              | 400         |                   |
| PM1210G-1R2K-RC | 1.2             | 30       | 7.96                | 100                 | 0.75              | 390         |                   |
| PM1210G-1R5K-RC | 1.5             | 30       | 7.96                | 85                  | 0.85              | 370         |                   |
| PM1210G-1R8K-RC | 1.8             | 30       | 7.96                | 80                  | 0.90              | 350         |                   |
| PM1210G-2R2K-RC | 2.2             | 30       | 7.96                | 75                  | 1.0               | 320         | CF322513          |
| PM1210G-2R7K-RC | 2.7             | 30       | 7.96                | 70                  | 1.1               | 290         |                   |
| PM1210G-3R3K-RC | 3.3             | 30       | 7.96                | 60                  | 1.2               | 260         |                   |
| PM1210G-3R9K-RC | 3.9             | 30       | 7.96                | 55                  | 1.3               | 250         |                   |
| PM1210G-4R7K-RC | 4.7             | 30       | 7.96                | 50                  | 1.5               | 220         |                   |
| PM1210G-5R6K-RC | 5.6             | 30       | 7.96                | 47                  | 1.6               | 200         |                   |
| PM1210G-6R8K-RC | 6.8             | 30       | 7.96                | 43                  | 1.8               | 180         |                   |
| PM1210G-8R2K-RC | 8.2             | 30       | 7.96                | 40                  | 2.0               | 170         |                   |
| PM1210G-100K-RC | 10              | 30       | 2.52                | 36                  | 2.1               | 150         |                   |
| PM1210G-120K-RC | 12              | 30       | 2.52                | 33                  | 2.5               | 140         |                   |
| PM1210G-150K-RC | 15              | 30       | 2.52                | 30                  | 2.8               | 130         |                   |
| PM1210G-180K-RC | 18              | 30       | 2.52                | 27                  | 3.3               | 120         |                   |
| PM1210G-220K-RC | 22              | 30       | 2.52                | 25                  | 3.7               | 110         |                   |
| PM1210G-270K-RC | 27              | 30       | 2.52                | 20                  | 5.0               | 80          |                   |
| PM1210G-330K-RC | 33              | 30       | 2.52                | 17                  | 5.6               | 70          |                   |

Only available as RoHS compliant.



Dimensions: mm  
Tolerance: +/- 0.2

**BOURNS®**

Tel. (877) 426-8767 • Fax (951) 781-5006

www.bourns.com

# High Current Chip Inductors

## Special Features

- High current
- Molded construction for high reliability and superior environmental protection
- High resistance to solder heat, moisture
- Ferrite bobbin core
- Operating temperature -20 to +100 °C
- Tape & reel packaged 2000/reel

## Typical Applications

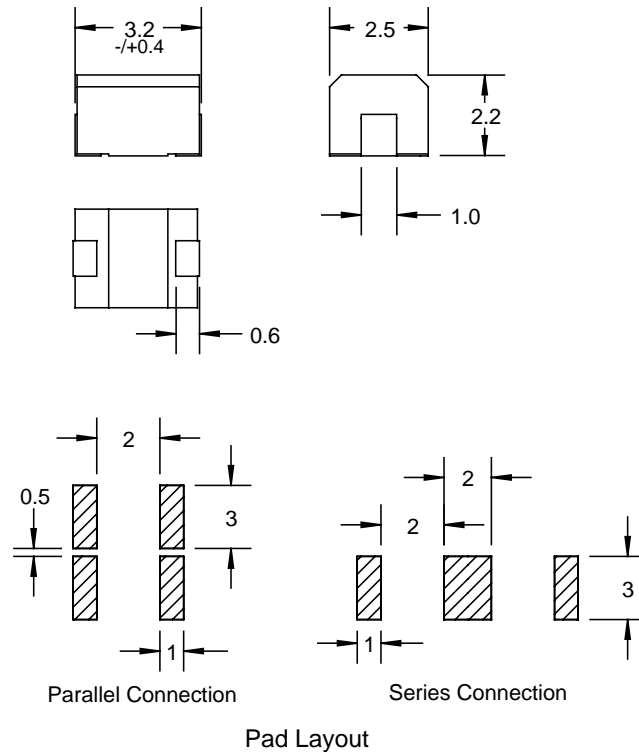
- Desktop, notebook computers, servers
- Network hubs, bridges, routers
- xDSL, PBX base stations
- Cell phones, pagers, GPS systems
- PDAs, MP3 players, digital cameras
- Digital TVs, DVDs, cable modems, DSS set-top boxes
- Battery chargers
- High frequency wireless communication devices
- Electronic game devices

## Notes

\* Rated current to cause 20 °C temperature rise

| PM1210H Series |                  |           |                     |                      |                    |                |
|----------------|------------------|-----------|---------------------|----------------------|--------------------|----------------|
| Part Number    | L (μH)<br>± 20 % | Q<br>Min. | Test Freq.<br>(MHz) | SRF<br>(MHz)<br>Max. | DCR<br>(Ω)<br>Max. | I, DC*<br>(mA) |
| PM1210H-1R0M   | 1.0              | 10        | 7.96                | 100                  | 0.16               | 770            |
| PM1210H-1R5M   | 1.5              | 10        | 7.96                | 80                   | 0.20               | 580            |
| PM1210H-2R2M   | 2.2              | 10        | 7.96                | 65                   | 0.26               | 480            |
| PM1210H-3R3M   | 3.3              | 10        | 7.96                | 55                   | 0.33               | 400            |
| PM1210H-4R7M   | 4.7              | 10        | 7.96                | 45                   | 0.52               | 320            |
| PM1210H-6R8M   | 6.8              | 10        | 7.96                | 35                   | 0.65               | 280            |
| ± 10 %         |                  |           |                     |                      |                    |                |
| PM1210H-100K   | 10               | 15        | 2.52                | 28                   | 1.11               | 220            |
| PM1210H-150K   | 15               | 15        | 2.52                | 25                   | 1.69               | 180            |
| PM1210H-220K   | 22               | 15        | 2.52                | 20                   | 2.60               | 145            |
| PM1210H-330K   | 33               | 15        | 2.52                | 15                   | 3.64               | 115            |
| PM1210H-470K   | 47               | 20        | 2.52                | 13                   | 5.46               | 105            |
| PM1210H-680K   | 68               | 20        | 2.52                | 10                   | 8.45               | 85             |

For RoHS compliant version, add "-RC" to part number.



Dimensions: mm  
Tolerance: -/+0.2

**BOURNS®**

Tel. (877) 426-8767 • Fax (951) 781-5006

[www.bourns.com](http://www.bourns.com)

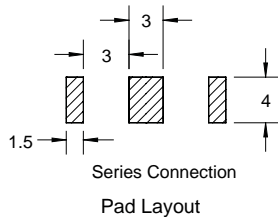
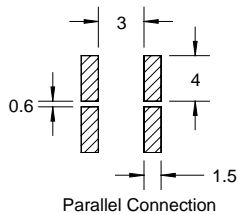
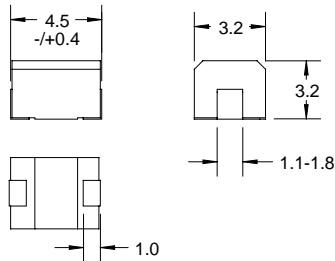
# Chip Inductors

## Special Features

- Molded construction for high reliability and superior environmental protection
- High resistance to solder heat and moisture
- Operating temperature -55 to +105 °C
- Tape & reel packaged 500/reel

## Notes

- \* Current to cause 20 °C max. temperature rise



Dimensions: mm  
Tolerance: +/-0.2

| PM1812 Series |        |    |                  |           |         |             |                   |
|---------------|--------|----|------------------|-----------|---------|-------------|-------------------|
| Part Number   | L (μH) | Q  | Test Freq. (MHz) | SRF (MHz) | DCR (Ω) | I, DC* (mA) | Bourns Equivalent |
|               | ± 10 % |    |                  |           |         |             |                   |
| PM1812-R10K   | 0.10   | 28 | 25.2             | 300       | 0.18    | 800         |                   |
| PM1812-R12K   | 0.12   | 30 | 25.2             | 280       | 0.20    | 770         |                   |
| PM1812-R15K   | 0.15   | 30 | 25.2             | 250       | 0.22    | 730         |                   |
| PM1812-R18K   | 0.18   | 30 | 25.2             | 220       | 0.24    | 700         |                   |
| PM1812-R22K   | 0.22   | 30 | 25.2             | 200       | 0.25    | 665         |                   |
| PM1812-R27K   | 0.27   | 30 | 25.2             | 180       | 0.26    | 635         |                   |
| PM1812-R33K   | 0.33   | 30 | 25.2             | 165       | 0.28    | 605         |                   |
| PM1812-R39K   | 0.39   | 30 | 25.2             | 150       | 0.30    | 575         |                   |
| PM1812-R47K   | 0.47   | 30 | 25.2             | 145       | 0.32    | 545         |                   |
| PM1812-R56K   | 0.56   | 30 | 25.2             | 140       | 0.36    | 520         |                   |
| PM1812-R68K   | 0.68   | 30 | 25.2             | 135       | 0.40    | 500         |                   |
| PM1812-R82K   | 0.82   | 30 | 25.2             | 130       | 0.45    | 475         |                   |
| ±5 %          |        |    |                  |           |         |             |                   |
| PM1812-1R0J   | 1.0    | 50 | 7.96             | 100       | 0.50    | 450         |                   |
| PM1812-1R2J   | 1.2    | 50 | 7.96             | 80        | 0.55    | 430         |                   |
| PM1812-1R5J   | 1.5    | 50 | 7.96             | 70        | 0.60    | 410         |                   |
| PM1812-1R8J   | 1.8    | 50 | 7.96             | 60        | 0.65    | 390         |                   |
| PM1812-2R2J   | 2.2    | 50 | 7.96             | 55        | 0.70    | 380         |                   |
| PM1812-2R7J   | 2.7    | 50 | 7.96             | 50        | 0.75    | 370         |                   |
| PM1812-3R3J   | 3.3    | 50 | 7.96             | 45        | 0.80    | 355         |                   |
| PM1812-3R9J   | 3.9    | 50 | 7.96             | 40        | 0.90    | 330         |                   |
| PM1812-4R7J   | 4.7    | 50 | 7.96             | 35        | 1.0     | 315         |                   |
| PM1812-5R6J   | 5.6    | 50 | 7.96             | 33        | 1.1     | 300         |                   |
| PM1812-6R8J   | 6.8    | 50 | 7.96             | 27        | 1.2     | 285         |                   |
| PM1812-8R2J   | 8.2    | 50 | 7.96             | 25        | 1.4     | 270         |                   |
| PM1812-100J   | 10     | 50 | 2.52             | 20        | 1.6     | 250         | CM453232          |
| PM1812-120J   | 12     | 50 | 2.52             | 18        | 2.0     | 225         |                   |
| PM1812-150J   | 15     | 50 | 2.52             | 17        | 2.5     | 200         |                   |
| PM1812-180J   | 18     | 50 | 2.52             | 15        | 2.8     | 190         |                   |
| PM1812-220J   | 22     | 50 | 2.52             | 13        | 3.2     | 180         |                   |
| PM1812-270J   | 27     | 50 | 2.52             | 12        | 3.6     | 170         |                   |
| PM1812-330J   | 33     | 50 | 2.52             | 11        | 4.0     | 160         |                   |
| PM1812-390J   | 39     | 50 | 2.52             | 10        | 4.5     | 150         |                   |
| PM1812-470J   | 47     | 50 | 2.52             | 10        | 5.0     | 140         |                   |
| PM1812-560J   | 56     | 50 | 2.52             | 9         | 5.5     | 135         |                   |
| PM1812-680J   | 68     | 50 | 2.52             | 9         | 6.0     | 130         |                   |
| PM1812-820J   | 82     | 50 | 2.52             | 8         | 7.0     | 120         |                   |
| PM1812-101J   | 100    | 40 | 0.796            | 7         | 8.0     | 110         |                   |
| PM1812-121J   | 120    | 40 | 0.796            | 6         | 8.0     | 110         |                   |
| PM1812-151J   | 150    | 40 | 0.796            | 5         | 9.0     | 105         |                   |
| PM1812-181J   | 180    | 40 | 0.796            | 5         | 9.5     | 102         |                   |
| PM1812-221J   | 220    | 40 | 0.796            | 4         | 10      | 100         |                   |
| PM1812-271J   | 270    | 30 | 0.796            | 3         | 12      | 92          |                   |
| PM1812-331J   | 330    | 30 | 0.796            | 3         | 14      | 85          |                   |
| PM1812-391J   | 390    | 30 | 0.796            | 3         | 18      | 80          |                   |
| PM1812-471J   | 470    | 30 | 0.796            | 3         | 26      | 62          |                   |
| PM1812-561J   | 560    | 30 | 0.796            | 2         | 30      | 50          |                   |
| PM1812-681J   | 680    | 30 | 0.796            | 2         | 30      | 50          |                   |
| PM1812-821J   | 820    | 30 | 0.796            | 2         | 35      | 30          |                   |
| PM1812-102J   | 1000   | 30 | 0.796            | 2         | 40      | 30          |                   |

For RoHS compliant version, add "-RC" to part number.

**BOURNS®**

Tel. (877) 426-8767 • Fax (951) 781-5006

www.bourns.com

# Multilayer Chip Inductors

## Special Features

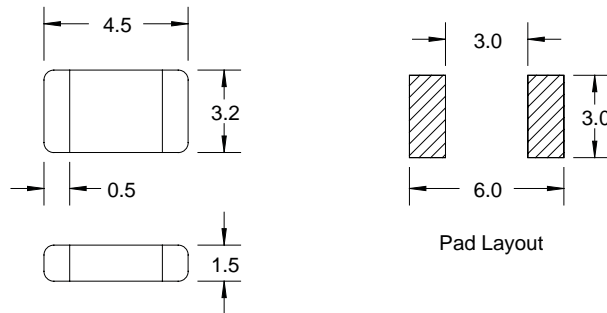
- Monolithic construction provides high reliability
- High Q characteristic
- High frequency application
- Ferrite material construction provides magnetic shielding to reduce radiation
- Low profile
- Operating temperature -25 to +125 °C
- Tape & reel packaged 1000 / reel

## Typical Applications

- Personal computers
- Notebook computers
- Printers
- Hard disk drivers
- Computer peripherals
- Digital TVs, VCRs
- Consumer electronics

| PM1812G Series  |                 |          |                     |                     |                   |             |                   |
|-----------------|-----------------|----------|---------------------|---------------------|-------------------|-------------|-------------------|
| Part Number     | L (μH)<br>±10 % | Q<br>Min | Test Freq.<br>(MHz) | SRF<br>(MHz)<br>Min | DCR<br>(Ω)<br>Max | Idc<br>(mA) | Bourns Equivalent |
| PM1812G-R10K-RC | 0.10            | 35       | 25.2                | 300                 | 0.18              | 800         |                   |
| PM1812G-R12K-RC | 0.12            | 35       | 25.2                | 280                 | 0.20              | 770         |                   |
| PM1812G-R15K-RC | 0.15            | 35       | 25.2                | 250                 | 0.22              | 730         |                   |
| PM1812G-R18K-RC | 0.18            | 35       | 25.2                | 220                 | 0.24              | 700         |                   |
| PM1812G-R22K-RC | 0.22            | 40       | 25.2                | 200                 | 0.25              | 665         |                   |
| PM1812G-R27K-RC | 0.27            | 40       | 25.2                | 180                 | 0.26              | 635         |                   |
| PM1812G-R33K-RC | 0.33            | 40       | 25.2                | 165                 | 0.28              | 605         |                   |
| PM1812G-R39K-RC | 0.39            | 40       | 25.2                | 150                 | 0.30              | 575         |                   |
| PM1812G-R47K-RC | 0.47            | 40       | 25.2                | 145                 | 0.32              | 545         |                   |
| PM1812G-R56K-RC | 0.56            | 40       | 25.2                | 140                 | 0.36              | 520         |                   |
| PM1812G-R68K-RC | 0.68            | 40       | 25.2                | 135                 | 0.40              | 500         |                   |
| PM1812G-R82K-RC | 0.82            | 40       | 25.2                | 130                 | 0.45              | 475         |                   |
| PM1812G-1R0K-RC | 1.0             | 50       | 7.96                | 100                 | 0.50              | 450         |                   |
| PM1812G-1R2K-RC | 1.2             | 50       | 7.96                | 80                  | 0.55              | 430         |                   |
| PM1812G-1R5K-RC | 1.5             | 50       | 7.96                | 70                  | 0.60              | 410         |                   |
| PM1812G-1R8K-RC | 1.8             | 50       | 7.96                | 60                  | 0.65              | 390         | CF453215          |
| PM1812G-2R2K-RC | 2.2             | 50       | 7.96                | 55                  | 0.70              | 380         |                   |
| PM1812G-2R7K-RC | 2.7             | 50       | 7.96                | 50                  | 0.75              | 370         |                   |
| PM1812G-3R3K-RC | 3.3             | 50       | 7.96                | 45                  | 0.80              | 355         |                   |
| PM1812G-3R9K-RC | 3.9             | 50       | 7.96                | 40                  | 0.90              | 330         |                   |
| PM1812G-4R7K-RC | 4.7             | 50       | 7.96                | 35                  | 1.0               | 315         |                   |
| PM1812G-5R6K-RC | 5.6             | 50       | 7.96                | 33                  | 1.1               | 300         |                   |
| PM1812G-6R8K-RC | 6.8             | 50       | 7.96                | 27                  | 1.2               | 285         |                   |
| PM1812G-8R2K-RC | 8.2             | 50       | 7.96                | 25                  | 1.4               | 270         |                   |
| PM1812G-100K-RC | 10              | 50       | 2.52                | 20                  | 1.6               | 250         |                   |
| PM1812G-120K-RC | 12              | 50       | 2.52                | 18                  | 2.0               | 225         |                   |
| PM1812G-150K-RC | 15              | 50       | 2.52                | 17                  | 2.5               | 200         |                   |
| PM1812G-180K-RC | 18              | 50       | 2.52                | 15                  | 2.8               | 190         |                   |
| PM1812G-220K-RC | 22              | 50       | 2.52                | 13                  | 3.2               | 180         |                   |
| PM1812G-270K-RC | 27              | 50       | 2.52                | 12                  | 3.6               | 170         |                   |
| PM1812G-330K-RC | 33              | 50       | 2.52                | 11                  | 4.0               | 160         |                   |

Only available as RoHS compliant.



Dimensions: mm  
Tolerance: -/+ 0.2

**BOURNS®**

Tel. (877) 426-8767 • Fax (951) 781-5006

www.bourns.com

# High Current Chip Inductors

## Special Features

- High current
- Molded construction for high reliability and superior environmental protection
- High resistance to solder heat, moisture
- Ferrite bobbin core
- Operating temperature -20 to +100 °C
- Tape & reel packaged 500/reel

## Typical Applications

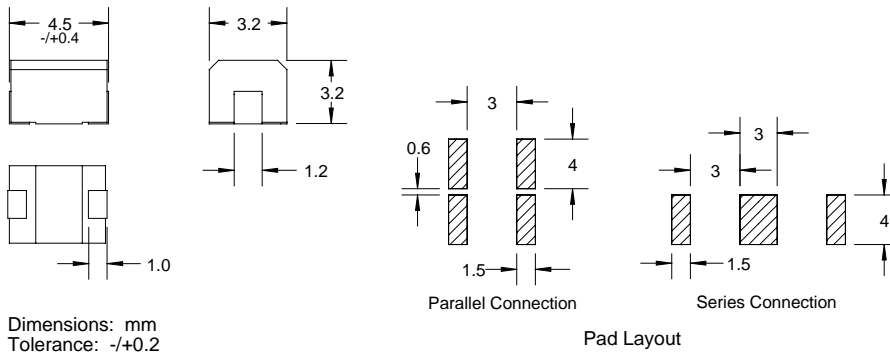
- Desktop, notebook computers, servers
- Network hubs, bridges, routers
- xDSL, PBX base stations
- Cell phones, pagers, GPS systems
- PDAs, MP3 players, digital cameras
- Digital TVs, DVDs, cable modems, DSS set-top boxes
- Battery chargers
- High frequency wireless communication devices
- Electronic game devices

## Notes

- \* Rated current to cause 20 °C temperature rise
- \*\* Closest alternative - these models are available on requests as projects only. Please consult a Bourns application engineer for the solution that best suits your needs.

| PM1812H Series |                 |           |                     |                      |                    |                |                   |
|----------------|-----------------|-----------|---------------------|----------------------|--------------------|----------------|-------------------|
| Part Number    | L (μH)<br>±10 % | Q<br>Min. | Test Freq.<br>(MHz) | SRF<br>(MHz)<br>Min. | DCR<br>(Ω)<br>Max. | I, DC*<br>(mA) | Bourns Equivalent |
| PM1812H-1R0K   | 1.0             | 10        | 7.96                | 180.0                | 0.11               | 1050           |                   |
| PM1812H-1R2K   | 1.2             | 10        | 7.96                | 160.0                | 0.12               | 1000           |                   |
| PM1812H-1R5K   | 1.5             | 10        | 7.96                | 130.0                | 0.15               | 950            |                   |
| PM1812H-1R8K   | 1.8             | 10        | 7.96                | 100.0                | 0.16               | 900            |                   |
| PM1812H-2R2K   | 2.2             | 10        | 7.96                | 80.0                 | 0.18               | 850            |                   |
| PM1812H-2R7K   | 2.7             | 10        | 7.96                | 60.0                 | 0.20               | 800            |                   |
| PM1812H-3R3K   | 3.3             | 10        | 7.96                | 45.0                 | 0.22               | 750            |                   |
| PM1812H-3R9K   | 3.9             | 10        | 7.96                | 40.0                 | 0.24               | 700            |                   |
| PM1812H-4R7K   | 4.7             | 10        | 7.96                | 35.0                 | 0.27               | 650            |                   |
| PM1812H-5R6K   | 5.6             | 10        | 7.96                | 30.0                 | 0.30               | 650            |                   |
| PM1812H-6R8K   | 6.8             | 10        | 7.96                | 28.0                 | 0.35               | 600            |                   |
| PM1812H-8R2K   | 8.2             | 10        | 7.96                | 25.0                 | 0.40               | 600            |                   |
| PM1812H-100K   | 10              | 10        | 2.52                | 22.0                 | 0.50               | 550            |                   |
| PM1812H-120K   | 12              | 10        | 2.52                | 21.0                 | 0.60               | 500            |                   |
| PM1812H-150K   | 15              | 10        | 2.52                | 20.0                 | 0.70               | 450            |                   |
| PM1812H-180K   | 18              | 10        | 2.52                | 19.0                 | 0.80               | 400            |                   |
| PM1812H-220K   | 22              | 10        | 2.52                | 18.0                 | 0.90               | 370            |                   |
| PM1812H-270K   | 27              | 10        | 2.52                | 16.0                 | 1.2                | 330            | CC453232**        |
| PM1812H-330K   | 33              | 10        | 2.52                | 14.0                 | 1.4                | 300            |                   |
| PM1812H-390K   | 39              | 10        | 2.52                | 12.0                 | 1.6                | 280            |                   |
| PM1812H-470K   | 47              | 10        | 2.52                | 11.5                 | 1.9                | 260            |                   |
| PM1812H-560K   | 56              | 10        | 2.52                | 11.0                 | 2.2                | 240            |                   |
| PM1812H-680K   | 68              | 10        | 2.52                | 10.0                 | 2.6                | 220            |                   |
| PM1812H-820K   | 82              | 10        | 2.52                | 9.0                  | 3.5                | 200            |                   |
| PM1812H-101K   | 100             | 20        | 0.796               | 8.0                  | 4.0                | 180            |                   |
| PM1812H-121K   | 120             | 20        | 0.796               | 7.5                  | 4.5                | 160            |                   |
| PM1812H-151K   | 150             | 20        | 0.796               | 7.0                  | 6.5                | 140            |                   |
| PM1812H-181K   | 180             | 20        | 0.796               | 6.5                  | 7.5                | 120            |                   |
| PM1812H-221K   | 220             | 20        | 0.796               | 5.5                  | 9.0                | 120            |                   |
| PM1812H-271K   | 270             | 20        | 0.796               | 5.0                  | 11.0               | 100            |                   |
| PM1812H-331K   | 330             | 20        | 0.796               | 4.0                  | 13.0               | 90             |                   |
| PM1812H-391K   | 390             | 30        | 0.796               | 3.0                  | 13.5               | 85             |                   |
| PM1812H-471K   | 470             | 30        | 0.796               | 3.0                  | 15.0               | 75             |                   |
| PM1812H-561K   | 560             | 30        | 0.796               | 3.0                  | 17.0               | 70             |                   |
| PM1812H-681K   | 680             | 30        | 0.796               | 2.5                  | 22.8               | 65             |                   |

For RoHS compliant version, add "-RC" to part number.



**BOURNS®**

Tel. (877) 426-8767 • Fax (951) 781-5006

www.bourns.com

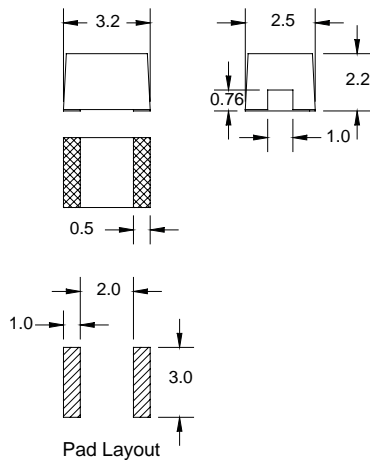
# Shielded Chip Inductors

## Special Features

- High Q
- Magnetic shielded for low radiation
- Molded construction for high reliability
- Superior environmental protection
- Large terminal surface for strong PCB bonding
- Standard EIA 1210 chip size
- Operating temperature -55 to +125 °C
- Tape & reel packaged 2000/reel

## Notes

- \* Current to cause 20 °C max. temperature rise
- \*\* Closest alternative - these models are available on requests as projects only. Please consult a Bourns application engineer for the solution that best suits your needs.



Dimensions: mm  
Tolerance: -/+0.2

| PM20S Series   |              |        |                  |                |              |                        |                   |
|----------------|--------------|--------|------------------|----------------|--------------|------------------------|-------------------|
| Part Number    | L (μH) ±20 % | Q Min. | Test Freq. (MHz) | SRF (MHz) Min. | DCR (Ω) Max. | I <sub>DC</sub> * (mA) | Bourns Equivalent |
| PM20S-R010M-RC | 0.010        | 50     | 50               | 1000           | 0.10         | 810                    |                   |
| PM20S-R012M-RC | 0.012        | 50     | 50               | 1000           | 0.11         | 750                    |                   |
| PM20S-R015M-RC | 0.015        | 50     | 50               | 1000           | 0.12         | 720                    |                   |
| PM20S-R018M-RC | 0.018        | 50     | 50               | 1000           | 0.13         | 690                    |                   |
| PM20S-R022M-RC | 0.022        | 45     | 50               | 1000           | 0.15         | 640                    |                   |
| PM20S-R027M-RC | 0.027        | 45     | 50               | 1000           | 0.17         | 610                    |                   |
| PM20S-R033M-RC | 0.033        | 45     | 50               | 1000           | 0.18         | 585                    |                   |
| PM20S-R039M-RC | 0.039        | 40     | 50               | 1000           | 0.24         | 530                    |                   |
| PM20S-R047M-RC | 0.047        | 40     | 50               | 1000           | 0.26         | 495                    |                   |
| PM20S-R056M-RC | 0.056        | 40     | 50               | 1000           | 0.28         | 485                    |                   |
| PM20S-R068M-RC | 0.068        | 40     | 50               | 1000           | 0.35         | 475                    |                   |
| PM20S-R082M-RC | 0.082        | 38     | 50               | 900            | 0.45         | 460                    |                   |
| PM20S-R10M-RC  | 0.10         | 36     | 50               | 700            | 0.50         | 450                    |                   |
| PM20S-R12M-RC  | 0.12         | 40     | 25.2             | 500            | 0.20         | 630                    |                   |
| PM20S-R15M-RC  | 0.15         | 40     | 25.2             | 470            | 0.20         | 600                    |                   |
| PM20S-R18M-RC  | 0.18         | 40     | 25.2             | 400            | 0.24         | 580                    |                   |
| PM20S-R22M-RC  | 0.22         | 40     | 25.2             | 330            | 0.30         | 565                    |                   |
| PM20S-R27M-RC  | 0.27         | 40     | 25.2             | 310            | 0.33         | 500                    |                   |
| PM20S-R33M-RC  | 0.33         | 40     | 25.2             | 280            | 0.36         | 475                    |                   |
| PM20S-R39M-RC  | 0.39         | 40     | 25.2             | 230            | 0.40         | 465                    |                   |
| PM20S-R47M-RC  | 0.47         | 40     | 25.2             | 220            | 0.44         | 460                    |                   |
| PM20S-R56M-RC  | 0.56         | 40     | 25.2             | 200            | 0.45         | 455                    |                   |
| PM20S-R68M-RC  | 0.68         | 40     | 25.2             | 180            | 0.48         | 450                    |                   |
| PM20S-R82M-RC  | 0.82         | 40     | 25.2             | 160            | 0.50         | 450                    |                   |
| ±10 %          |              |        |                  |                |              |                        |                   |
| PM20S-1R0K-RC  | 1.0          | 30     | 7.96             | 120            | 0.60         | 400                    | CC322522**        |
| PM20S-1R2K-RC  | 1.2          | 30     | 7.96             | 110            | 0.65         | 390                    |                   |
| PM20S-1R5K-RC  | 1.5          | 30     | 7.96             | 90             | 0.75         | 370                    |                   |
| PM20S-1R8K-RC  | 1.8          | 30     | 7.96             | 85             | 0.85         | 350                    |                   |
| PM20S-2R2K-RC  | 2.2          | 30     | 7.96             | 65             | 0.90         | 320                    |                   |
| PM20S-2R7K-RC  | 2.7          | 30     | 7.96             | 60             | 1.00         | 290                    |                   |
| PM20S-3R3K-RC  | 3.3          | 30     | 7.96             | 60             | 1.10         | 270                    |                   |
| PM20S-3R9K-RC  | 3.9          | 30     | 7.96             | 58             | 1.20         | 250                    |                   |
| PM20S-4R7K-RC  | 4.7          | 30     | 7.96             | 52             | 1.25         | 220                    |                   |
| PM20S-5R6K-RC  | 5.6          | 30     | 7.96             | 50             | 1.40         | 200                    |                   |
| PM20S-6R8K-RC  | 6.8          | 30     | 7.96             | 40             | 1.60         | 205                    |                   |
| PM20S-8R2K-RC  | 8.2          | 30     | 7.96             | 35             | 1.65         | 195                    |                   |
| PM20S-100K-RC  | 10           | 30     | 2.52             | 30             | 2.0          | 185                    |                   |
| PM20S-120K-RC  | 12           | 30     | 2.52             | 24             | 2.3          | 175                    |                   |
| PM20S-150K-RC  | 15           | 30     | 2.52             | 20             | 2.5          | 165                    |                   |
| PM20S-180K-RC  | 18           | 30     | 2.52             | 17             | 2.7          | 155                    |                   |
| PM20S-220K-RC  | 22           | 30     | 2.52             | 16             | 3.1          | 150                    |                   |
| PM20S-270K-RC  | 27           | 30     | 2.52             | 14             | 3.3          | 125                    |                   |
| PM20S-330K-RC  | 33           | 30     | 2.52             | 14             | 5.1          | 115                    |                   |
| PM20S-390K-RC  | 39           | 30     | 2.52             | 14             | 5.9          | 105                    |                   |
| PM20S-470K-RC  | 47           | 30     | 2.52             | 13             | 8.0          | 100                    |                   |
| PM20S-560K-RC  | 56           | 30     | 2.52             | 11             | 10           | 95                     |                   |
| PM20S-680K-RC  | 68           | 30     | 2.52             | 11             | 10           | 90                     |                   |
| PM20S-820K-RC  | 82           | 30     | 2.52             | 11             | 11           | 85                     |                   |
| PM20S-101K-RC  | 100          | 30     | 0.796            | 8              | 12           | 85                     |                   |

Only available as RoHS compliant.

**BOURNS®**

Tel. (877) 426-8767 • Fax (951) 781-5006

www.bourns.com

# Shielded, SMT Power Inductors

## Special Features

- High current capacity
- Magnetic shielded
- Low DCR
- Ferrite bobbin core
- Low profile, compact size
- Operating temperature -40 to +100 °C
- Tape & reel packaged 1000/reel

## Typical Applications

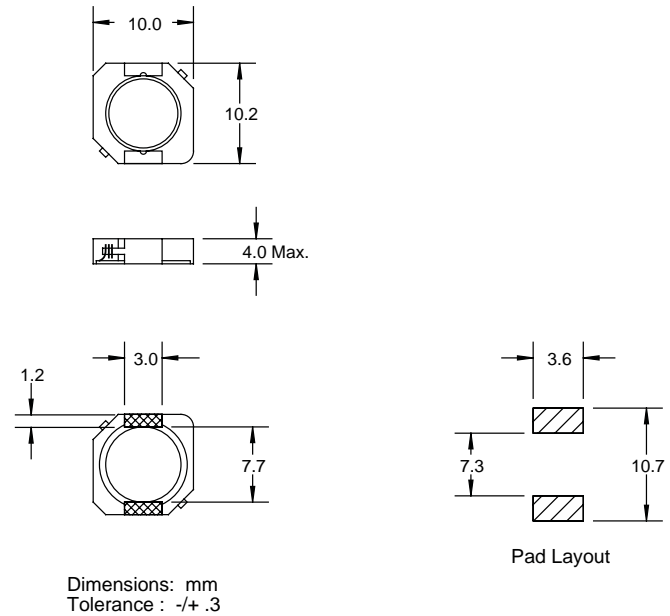
- Desktop, notebook computers, servers
- Network hubs, bridges, routers
- xDSL, PBX base stations
- GPS systems
- PDAs, MP3 players, digital cameras
- Digital TVs, DVDs, cable modems, DSS set-top boxes
- Battery chargers
- High frequency wireless communication devices
- Electronic game devices
- Industrial electronics
- Electronic game devices
- Onboard power supplies

## Notes

- \* Saturation current to cause 35 % inductance drop
- \*\* Rated current to cause 30 °C temperature rise

| PM104SH Series |                                    |                     |                 |                   |                      |
|----------------|------------------------------------|---------------------|-----------------|-------------------|----------------------|
| Part Number    | L (µH)<br>± 30 %<br>@ 100 KHz Max. | DCR,<br>(Ω)<br>Max. | I, sat.*<br>(A) | I, rated**<br>(A) | Bourns<br>Equivalent |
| PM104SH-1R5    | 1.5                                | 0.008               | 10              | 6.5               | SRU1038              |
| PM104SH-2R5    | 2.5                                | 0.01                | 7.5             | 6.1               |                      |
| PM104SH-3R8    | 3.8                                | 0.013               | 6.0             | 5.5               |                      |
| PM104SH-5R2    | 5.2                                | 0.022               | 5.5             | 5.4               |                      |
| PM104SH-7R0    | 7.0                                | 0.027               | 4.8             | 4.5               |                      |
| PM104SH-100    | 10                                 | 0.035               | 4.4             | 3.8               |                      |
| PM104SH-150    | 15                                 | 0.05                | 3.6             | 3.1               |                      |
| PM104SH-220    | 22                                 | 0.073               | 2.9             | 2.5               |                      |
| PM104SH-330    | 33                                 | 0.093               | 2.3             | 2.2               |                      |
| PM104SH-470    | 47                                 | 0.128               | 2.1             | 1.9               |                      |
| PM104SH-680    | 68                                 | 0.213               | 1.5             | 1.42              |                      |
| PM104SH-101    | 100                                | 0.304               | 1.35            | 1.25              |                      |
| PM104SH-151    | 150                                | 0.506               | 1.15            | 0.85              |                      |
| PM104SH-221    | 220                                | 0.756               | 0.92            | 0.7               |                      |
| PM104SH-331    | 330                                | 1.09                | 0.7             | 0.52              |                      |

For RoHS compliant version, add "-RC" to part number.



# Shielded, SMT Power Inductors

## Special Features

- High current capacity
- Magnetic shielded for low radiation
- Ferrite bobbin core
- Low core loss for high frequency power applications
- Compact size
- Large terminal surface for good PCB bonding
- Easy access for reflow soldering inspection
- Operating temperature -30 to +100 °C
- Tape & reel packaged 500/reel

## Typical Applications

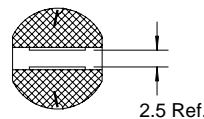
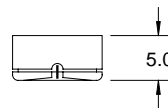
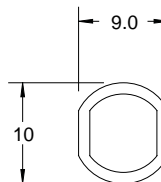
- Desktop, notebook computers, servers
- Network hubs, bridges, routers
- xDSL, PBX base stations
- PDAs, MP3 players
- Digital TVs, DVDs, cable modems, DSS set-top boxes
- Battery chargers
- High frequency wireless communication devices
- Electronic game devices
- Industrial electronics

## Notes

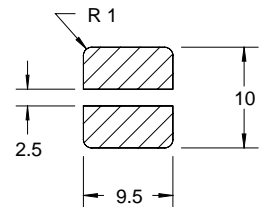
- \* Current to cause 10 % of inductance
- \*\* Closest alternative - these models are available on requests as projects only. Please consult a Bourns application engineer for the solution that best suits your needs.

| PM105SB Series |                 |            |                   |                 |            |                   |
|----------------|-----------------|------------|-------------------|-----------------|------------|-------------------|
| Part Number    | L (μH)<br>±20 % | Test Freq. | SRF (MHz)<br>Typ. | DCR (Ω)<br>Max. | I, DC* (A) | Bourns Equivalent |
| PM105SB-100M   | 10              | 2.52MHz    | 29                | 0.06            | 2.06       |                   |
| PM105SB-120M   | 12              | 2.52MHz    | 26                | 0.07            | 1.94       |                   |
| PM105SB-150M   | 15              | 2.52MHz    | 24                | 0.07            | 1.72       |                   |
| PM105SB-180M   | 18              | 2.52MHz    | 21                | 0.08            | 1.58       |                   |
| PM105SB-220M   | 22              | 2.52MHz    | 18                | 0.08            | 1.42       |                   |
| PM105SB-270M   | 27              | 2.52MHz    | 17                | 0.10            | 1.32       |                   |
| ± 15 %         |                 |            |                   |                 |            |                   |
| PM105SB-330L   | 33              | 2.52MHz    | 14                | 0.11            | 1.16       |                   |
| PM105SB-390L   | 39              | 2.52MHz    | 14                | 0.12            | 1.10       |                   |
| PM105SB-470L   | 47              | 2.52MHz    | 11                | 0.14            | 1.00       |                   |
| PM105SB-560L   | 56              | 2.52MHz    | 11                | 0.19            | 0.93       |                   |
| PM105SB-680L   | 68              | 2.52MHz    | 10                | 0.21            | 0.85       | SRR0905**         |
| PM105SB-820L   | 82              | 2.52MHz    | 9                 | 0.28            | 0.79       |                   |
| ± 10 %         |                 |            |                   |                 |            |                   |
| PM105SB-101K   | 100             | 1 KHz      | 8                 | 0.34            | 0.72       |                   |
| PM105SB-121K   | 120             | 1 KHz      | 7                 | 0.37            | 0.63       |                   |
| PM105SB-151K   | 150             | 1 KHz      | 6                 | 0.51            | 0.55       |                   |
| PM105SB-181K   | 180             | 1 KHz      | 5                 | 0.57            | 0.50       |                   |
| PM105SB-221K   | 220             | 1 KHz      | 5                 | 0.78            | 0.47       |                   |
| PM105SB-271K   | 270             | 1 KHz      | 5                 | 0.87            | 0.41       |                   |
| PM105SB-331K   | 330             | 1 KHz      | 4                 | 1.20            | 0.37       |                   |
| PM105SB-391K   | 390             | 1 KHz      | 3                 | 1.34            | 0.35       |                   |
| PM105SB-471K   | 470             | 1 KHz      | 3                 | 1.50            | 0.33       |                   |

For RoHS compliant version, add "-RC" to part number.



Dimensions: mm  
Tolerance: +/- 0.5



Pad Layout

**BOURNS®**

Tel. (877) 426-8767 • Fax (951) 781-5006

www.bourns.com



# Shielded, SMT Power Inductors

## Special Features

- High current capacity
- Magnetic shielded for low radiation
- Ferrite bobbin core
- Low core loss for high frequency power applications
- Compact size, low profile
- Operating temperature -30 to +100 °C
- Tape & reel packaged 500/reel

## Typical Applications

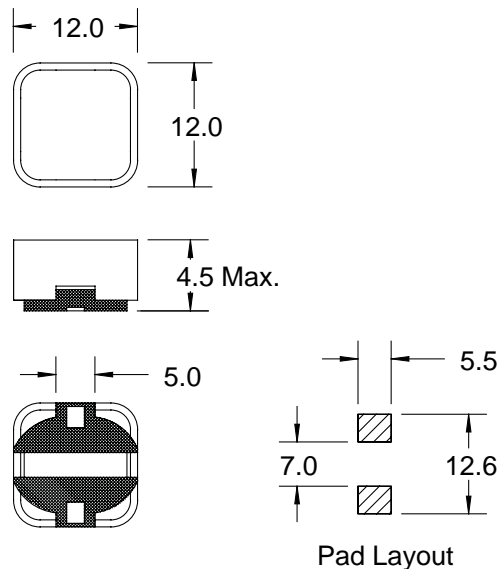
- Desktop, notebook computers, servers
- Network hubs, bridges, routers
- xDSL, PBX base stations
- GPS systems
- Digital TVs, DVDs, cable modems, DSS set-top boxes
- Battery chargers
- High frequency wireless communication devices
- Electronic game devices
- Industrial electronics
- Onboard power supplies

## Notes

- \* Rated current to cause max. 25 % of inductance drop and 40 °C temperature rise

| PM124SH Series |                                    |                 |          |                   |
|----------------|------------------------------------|-----------------|----------|-------------------|
| Part Number    | L (µH)<br>± 20 %<br>@ 100 KHz Max. | DCR (Ω)<br>Max. | Idc* (A) | Bourns Equivalent |
| PM124SH-3R9M   | 3.9                                | 0.015           | 6.5      |                   |
| PM124SH-4R7M   | 4.7                                | 0.018           | 5.7      |                   |
| PM124SH-6R8M   | 6.8                                | 0.023           | 4.9      |                   |
| PM124SH-8R2M   | 8.2                                | 0.026           | 4.6      |                   |
| PM124SH-100M   | 10                                 | 0.028           | 4.5      |                   |
| PM124SH-120M   | 12                                 | 0.038           | 4.0      |                   |
| PM124SH-150M   | 15                                 | 0.050           | 3.2      |                   |
| PM124SH-180M   | 18                                 | 0.057           | 3.1      |                   |
| PM124SH-220M   | 22                                 | 0.066           | 2.9      |                   |
| PM124SH-270M   | 27                                 | 0.080           | 2.8      |                   |
| PM124SH-330M   | 33                                 | 0.097           | 2.7      |                   |
| PM124SH-390M   | 39                                 | 0.13            | 2.1      | SRR1240           |
| PM124SH-470M   | 47                                 | 0.15            | 1.9      |                   |
| PM124SH-560M   | 56                                 | 0.19            | 1.8      |                   |
| PM124SH-680M   | 68                                 | 0.22            | 1.5      |                   |
| PM124SH-820M   | 82                                 | 0.26            | 1.3      |                   |
| PM124SH-101M   | 100                                | 0.31            | 1.2      |                   |
| PM124SH-121M   | 120                                | 0.38            | 1.1      |                   |
| PM124SH-151M   | 150                                | 0.53            | 0.95     |                   |
| PM124SH-181M   | 180                                | 0.62            | 0.85     |                   |
| PM124SH-221M   | 220                                | 0.70            | 0.80     |                   |
| PM124SH-271M   | 270                                | 0.88            | 0.60     |                   |
| PM124SH-331M   | 330                                | 0.99            | 0.50     |                   |

For RoHS compliant version, add "-RC" to part number.



Dimensions: mm  
Tolerance: +/-0.3

# Shielded, SMT Power Inductors

## Special Features

- High current capacity
- Magnetically shielded
- Low DCR
- Ferrite bobbin core
- Low profile, compact size
- High heat resistance, ideal for reflow soldering
- High reliability
- Test frequency 1 KHz
- Operating temperature -20 to +105 °C
- Tape & reel packaged 400/reel

## Typical Applications

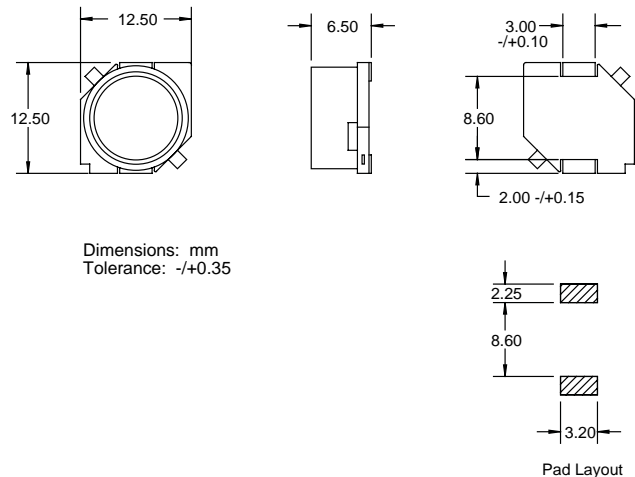
- High reliability, low magnetic coupling and densely packed board design
- Small cell phones
- PDAs
- Pagers
- Flash memory programmers
- Notebook computers
- Battery chargers
- DC/DC converters
- Network cards
- Switching boards
- Industrial electronics
- Entertainment electronic devices

## Notes

- \* Saturation current to cause 10 % inductance drop
- \*\* Rated current to cause 40 °C temperature rise
- \*\*\* Closest alternative - these models are available on requests as projects only. Please consult a Bourns application engineer for the solution that best suits your needs.

| PM12565S Series |                  |                 |                 |                   |                   |
|-----------------|------------------|-----------------|-----------------|-------------------|-------------------|
| Part Number     | L (μH)<br>± 30 % | DCR (Ω)<br>Max. | I, sat.*<br>(A) | I, rated**<br>(A) | Bourns Equivalent |
| PM12565S-2R0    | 2                | 0.014           | 10.0            | 6.2               | SRR1260***        |
| PM12565S-4R2    | 4.2              | 0.018           | 7.3             | 5.5               |                   |
| PM12565S-7R0    | 7                | 0.021           | 5.7             | 5                 |                   |
|                 | ± 20 %           |                 |                 |                   |                   |
| PM12565S-100M   | 10               | 0.024           | 5.0             | 4.8               |                   |
| PM12565S-150M   | 15               | 0.028           | 4.2             | 4.4               |                   |
| PM12565S-220M   | 22               | 0.038           | 3.5             | 3.8               |                   |
| PM12565S-330M   | 33               | 0.049           | 2.8             | 3.4               |                   |
| PM12565S-470M   | 47               | 0.069           | 2.4             | 2.8               |                   |
| PM12565S-680M   | 68               | 0.094           | 2.0             | 2.4               |                   |
| PM12565S-101M   | 100              | 0.148           | 1.6             | 1.9               |                   |
| PM12565S-221M   | 220              | 0.328           | 1.0             | 1.2               |                   |

For RoHS compliant version, add "-RC" to part number.



# Shielded, SMT Power Inductors

## Special Features

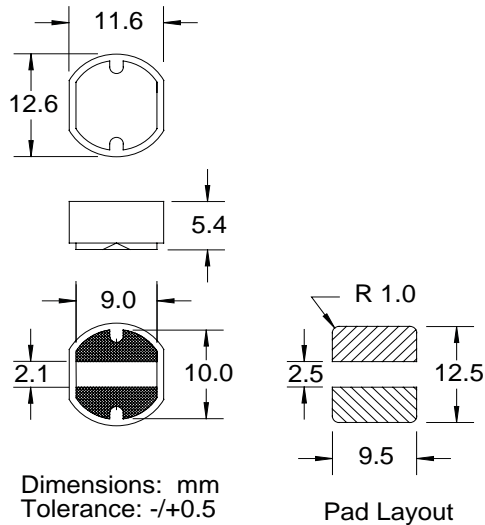
- High current capacity
- Magnetic shielded for low radiation
- Ferrite bobbin core
- Low core loss for high frequency power applications
- Compact size
- Large terminal surface for good PCB bonding
- Operating temperature -30 to +100 °C
- Tape & reel packaged 500/reel

## Notes

- \* Current to cause max. 25 % of inductance drop, or 40 °C temperature rise

| PM125S Series |                 |            |                   |                 |            |
|---------------|-----------------|------------|-------------------|-----------------|------------|
| Part Number   | L (μH)<br>±20 % | Test Freq. | SRF (MHz)<br>Typ. | DCR (Ω)<br>Max. | I, DC* (A) |
| PM125S-100M   | 10              | 2.52 MHz   | 24                | 0.05            | 2.65       |
| PM125S-120M   | 12              | 2.52 MHz   | 21                | 0.05            | 2.50       |
| PM125S-150M   | 15              | 2.52 MHz   | 19                | 0.06            | 2.45       |
| PM125S-180M   | 18              | 2.52 MHz   | 16                | 0.06            | 2.40       |
| -15 %, +20 %  |                 |            |                   |                 |            |
| PM125S-220M   | 22              | 2.52 MHz   | 15                | 0.07            | 2.20       |
| PM125S-270M   | 27              | 2.52 MHz   | 14                | 0.08            | 2.00       |
| PM125S-330M   | 33              | 2.52 MHz   | 13                | 0.10            | 1.80       |
| PM125S-390M   | 39              | 2.52 MHz   | 12                | 0.11            | 1.65       |
| PM125S-470M   | 47              | 2.52 MHz   | 10                | 0.12            | 1.50       |
| PM125S-560M   | 56              | 2.52 MHz   | 9                 | 0.15            | 1.38       |
| PM125S-680M   | 68              | 2.52 MHz   | 9                 | 0.17            | 1.26       |
| PM125S-820M   | 82              | 2.52 MHz   | 8                 | 0.20            | 1.14       |
| PM125S-101M   | 100             | 1 KHz      | 7                 | 0.25            | 1.05       |
| PM125S-121M   | 120             | 1 KHz      | 6                 | 0.28            | 0.95       |
| PM125S-151M   | 150             | 1 KHz      | 6                 | 0.40            | 0.85       |
| PM125S-181M   | 180             | 1 KHz      | 5                 | 0.48            | 0.77       |
| PM125S-221M   | 220             | 1 KHz      | 5                 | 0.52            | 0.70       |
| PM125S-271M   | 270             | 1 KHz      | 4                 | 0.70            | 0.63       |
| PM125S-331M   | 330             | 1 KHz      | 4                 | 0.80            | 0.57       |
| PM125S-391M   | 390             | 1 KHz      | 4                 | 1.08            | 0.52       |
| PM125S-471M   | 470             | 1 KHz      | 3                 | 1.20            | 0.48       |
| PM125S-561M   | 560             | 1 KHz      | 3                 | 1.34            | 0.44       |
| PM125S-681M   | 680             | 1 KHz      | 3                 | 1.78            | 0.40       |
| PM125S-821M   | 820             | 1 KHz      | 2                 | 2.00            | 0.36       |

For RoHS compliant version, add "-RC" to part number.



# Shielded, SMT Power Inductors

## Special Features

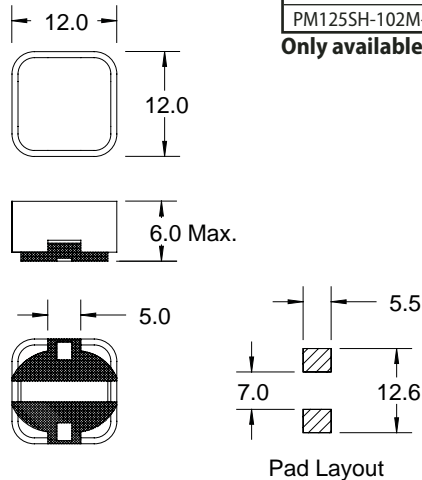
- High current capacity
- Magnetic shielded for low radiation
- Ferrite bobbin core
- Low core loss for high frequency power applications
- Compact size
- Large terminal surface for good PCB bonding
- Operating temperature -30 to +100 °C
- Tape & reel packaged 500/reel

## Notes

- \* Current to cause max. 25 % of inductance drop, or 40 °C temperature rise

| PM125SH Series  |                            |                 |            |                   |
|-----------------|----------------------------|-----------------|------------|-------------------|
| Part Number     | L (μH)<br>±20 %<br>@ 1 KHz | DCR (Ω)<br>Max. | I, DC* (A) | Bourns Equivalent |
| PM125SH-100M-RC | 10                         | 0.025           | 4.0        |                   |
| PM125SH-120M-RC | 12                         | 0.027           | 3.5        |                   |
| PM125SH-150M-RC | 15                         | 0.030           | 3.3        |                   |
| PM125SH-180M-RC | 18                         | 0.034           | 3.0        |                   |
| PM125SH-220M-RC | 22                         | 0.036           | 2.8        |                   |
| PM125SH-270M-RC | 27                         | 0.051           | 2.3        |                   |
| PM125SH-330M-RC | 33                         | 0.057           | 2.1        |                   |
| PM125SH-390M-RC | 39                         | 0.068           | 2.0        |                   |
| PM125SH-470M-RC | 47                         | 0.075           | 1.8        |                   |
| PM125SH-560M-RC | 56                         | 0.11            | 1.7        |                   |
| PM125SH-680M-RC | 68                         | 0.12            | 1.5        |                   |
| PM125SH-820M-RC | 82                         | 0.14            | 1.4        |                   |
| PM125SH-101M-RC | 100                        | 0.16            | 1.3        | SRR1260           |
| PM125SH-121M-RC | 120                        | 0.17            | 1.1        |                   |
| PM125SH-151M-RC | 150                        | 0.23            | 1.0        |                   |
| PM125SH-181M-RC | 180                        | 0.29            | 0.90       |                   |
| PM125SH-221M-RC | 220                        | 0.40            | 0.80       |                   |
| PM125SH-271M-RC | 270                        | 0.46            | 0.75       |                   |
| PM125SH-331M-RC | 330                        | 0.51            | 0.68       |                   |
| PM125SH-391M-RC | 390                        | 0.69            | 0.65       |                   |
| PM125SH-471M-RC | 470                        | 0.77            | 0.58       |                   |
| PM125SH-561M-RC | 560                        | 0.86            | 0.54       |                   |
| PM125SH-681M-RC | 680                        | 1.20            | 0.48       |                   |
| PM125SH-821M-RC | 820                        | 1.34            | 0.43       |                   |
| PM125SH-102M-RC | 1000                       | 1.53            | 0.40       |                   |

Only available as RoHS compliant.



Dimensions: mm  
Tolerance: -/+0.3

**BOURNS®**

Tel. (877) 426-8767 • Fax (951) 781-5006

[www.bourns.com](http://www.bourns.com)

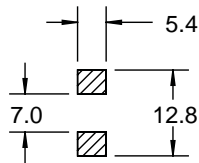
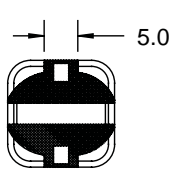
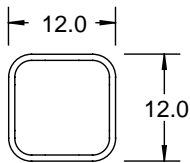
# Shielded, SMT Power Inductors

## Special Features

- High current capacity
- Magnetic shielded for low radiation
- Ferrite bobbin core
- Low core loss for high frequency power applications
- Compact size
- Large terminal surface for good PCB bonding
- Operating temperature -30 to +100 °C
- Tape & reel packaged 500/reel

## Notes

- \* Current to cause max. 25 % of inductance drop, or 40 °C temperature rise



Pad Layout

Dimensions: mm  
Tolerance: +/-0.3

| PM127SH Series  |                     |                     |                 |               |                   |  |
|-----------------|---------------------|---------------------|-----------------|---------------|-------------------|--|
| Part Number     | L (μH)<br>+40/-20 % | Test Freq.<br>(KHz) | DCR (Ω)<br>Max. | I, DC*<br>(A) | Bourns Equivalent |  |
| PM127SH-1R2N-RC | 1.2                 | 100                 | 0.007           | 9.8           | SRR1208           |  |
| PM127SH-2R4N-RC | 2.4                 | 100                 | 0.012           | 8.0           |                   |  |
| PM127SH-3R5N-RC | 3.5                 | 100                 | 0.014           | 7.5           |                   |  |
| PM127SH-4R7N-RC | 4.7                 | 100                 | 0.016           | 6.8           |                   |  |
| PM127SH-6R1N-RC | 6.1                 | 100                 | 0.018           | 6.6           |                   |  |
| PM127SH-7R6N-RC | 7.6                 | 100                 | 0.020           | 5.9           |                   |  |
| ±20 %           |                     |                     |                 |               |                   |  |
| PM127SH-100M-RC | 10                  | 1.0                 | 0.022           | 5.40          |                   |  |
| PM127SH-120M-RC | 12                  | 1.0                 | 0.024           | 4.90          |                   |  |
| PM127SH-150M-RC | 15                  | 1.0                 | 0.027           | 4.50          |                   |  |
| PM127SH-180M-RC | 18                  | 1.0                 | 0.039           | 3.90          |                   |  |
| PM127SH-220M-RC | 22                  | 1.0                 | 0.043           | 3.60          |                   |  |
| PM127SH-270M-RC | 27                  | 1.0                 | 0.046           | 3.40          |                   |  |
| PM127SH-330M-RC | 33                  | 1.0                 | 0.065           | 3.00          |                   |  |
| PM127SH-390M-RC | 39                  | 1.0                 | 0.073           | 2.75          |                   |  |
| PM127SH-470M-RC | 47                  | 1.0                 | 0.10            | 2.50          |                   |  |
| PM127SH-560M-RC | 56                  | 1.0                 | 0.11            | 2.35          |                   |  |
| PM127SH-680M-RC | 68                  | 1.0                 | 0.14            | 2.10          |                   |  |
| PM127SH-820M-RC | 82                  | 1.0                 | 0.16            | 1.95          |                   |  |
| PM127SH-101M-RC | 100                 | 1.0                 | 0.22            | 1.70          |                   |  |
| PM127SH-121M-RC | 120                 | 1.0                 | 0.25            | 1.60          |                   |  |
| PM127SH-151M-RC | 150                 | 1.0                 | 0.28            | 1.42          |                   |  |
| PM127SH-181M-RC | 180                 | 1.0                 | 0.35            | 1.30          |                   |  |
| PM127SH-221M-RC | 220                 | 1.0                 | 0.39            | 1.16          |                   |  |
| PM127SH-271M-RC | 270                 | 1.0                 | 0.56            | 1.06          |                   |  |
| PM127SH-331M-RC | 330                 | 1.0                 | 0.64            | 0.95          |                   |  |
| PM127SH-391M-RC | 390                 | 1.0                 | 0.70            | 0.88          |                   |  |
| PM127SH-471M-RC | 470                 | 1.0                 | 0.98            | 0.79          |                   |  |
| PM127SH-561M-RC | 560                 | 1.0                 | 1.07            | 0.73          |                   |  |
| PM127SH-681M-RC | 680                 | 1.0                 | 1.46            | 0.67          |                   |  |
| PM127SH-821M-RC | 820                 | 1.0                 | 1.64            | 0.60          |                   |  |
| PM127SH-102M-RC | 1000                | 1.0                 | 1.82            | 0.55          |                   |  |

Only available as RoHS compliant.

# Shielded, SMT Power Inductors

## Special Features

- High energy storage capacity
- Magnetically shielded
- Low DCR
- Ferrite bobbin core
- Low profile, miniature size
- High heat resistance, ideal for reflow soldering
- High reliability
- Test frequency 100 KHz
- Operating temperature -40 to +85 °C
- Tape & reel packaged 750/reel

## Typical Applications

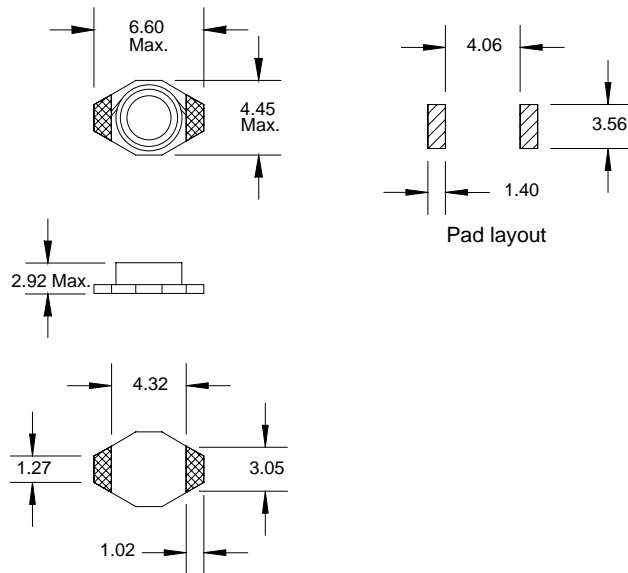
- High reliability, low magnetic coupling and densely packed board design
- Small cell phones
- PDAs
- Pagers
- Flash memory programmers
- Notebook computers
- Battery chargers
- DC/DC converters
- Network cards
- Switching boards
- Industrial electronics
- Entertainment electronic devices

## Notes

- \* Rms current to cause 30 °C temperature rise

| PM1608S Series |                  |                 |                   |                        |                   |
|----------------|------------------|-----------------|-------------------|------------------------|-------------------|
| Part Number    | L (μH)<br>± 20 % | DCR (Ω)<br>Max. | SRF (MHz)<br>Typ. | I <sub>rms</sub> * (A) | Bourns Equivalent |
| PM1608S-1R0M   | 1.0              | 0.04            | 250               | 3.0                    | SRR6603           |
| PM1608S-1R5M   | 1.5              | 0.04            | 5 125             | 2.8                    |                   |
| PM1608S-2R2M   | 2.2              | 0.05            | 120               | 1.8                    |                   |
| PM1608S-3R3M   | 3.3              | 0.055           | 120               | 1.6                    |                   |
| PM1608S-4R7M   | 4.7              | 0.06            | 105               | 1.4                    |                   |
| PM1608S-6R8M   | 6.8              | 0.065           | 50                | 1.2                    |                   |
| PM1608S-100M   | 10               | 0.075           | 38                | 1.0                    |                   |
| PM1608S-150M   | 15               | 0.09            | 33                | 0.8                    |                   |
| PM1608S-220M   | 22               | 0.11            | 25                | 0.7                    |                   |
| PM1608S-330M   | 33               | 0.19            | 20                | 0.6                    |                   |
| PM1608S-470M   | 47               | 0.23            | 20                | 0.5                    |                   |
| PM1608S-680M   | 68               | 0.29            | 15                | 0.4                    |                   |
| PM1608S-101M   | 100              | 0.48            | 10                | 0.3                    |                   |
| PM1608S-151M   | 150              | 0.59            | 9                 | 0.26                   |                   |
| PM1608S-221M   | 220              | 0.77            | 6                 | 0.22                   |                   |
| PM1608S-331M   | 330              | 1.4             | 5                 | 0.2                    |                   |
| PM1608S-471M   | 470              | 1.8             | 4                 | 0.19                   |                   |
| PM1608S-681M   | 680              | 2.2             | 3                 | 0.18                   |                   |
| PM1608S-102M   | 1000             | 3.4             | 2                 | 0.15                   |                   |
| PM1608S-152M   | 1500             | 4.2             | 2                 | 0.12                   |                   |
| PM1608S-222M   | 2200             | 8.5             | 2                 | 0.1                    |                   |
| PM1608S-332M   | 3300             | 11.0            | 1                 | 0.08                   |                   |
| PM1608S-472M   | 4700             | 13.9            | 1                 | 0.06                   |                   |
| PM1608S-682M   | 6800             | 25.0            | 1                 | 0.04                   |                   |
| PM1608S-103M   | 10,000           | 32.8            | 0.8               | 0.02                   |                   |

For RoHS compliant version, add "-RC" to part number.



Dimensions: mm

**BOURNS®**

Tel. (877) 426-8767 • Fax (951) 781-5006

[www.bourns.com](http://www.bourns.com)

# Shielded, SMT Power Inductors

## Special Features

- High current capacity
- Magnetically shielded
- Low DCR
- Ferrite bobbin core
- Compact size
- High heat resistance, ideal for reflow soldering
- High reliability
- Test frequency 100 KHz
- Operating temperature -40 to +85 °C
- Tape & reel packaged 500/reel

## Typical Applications

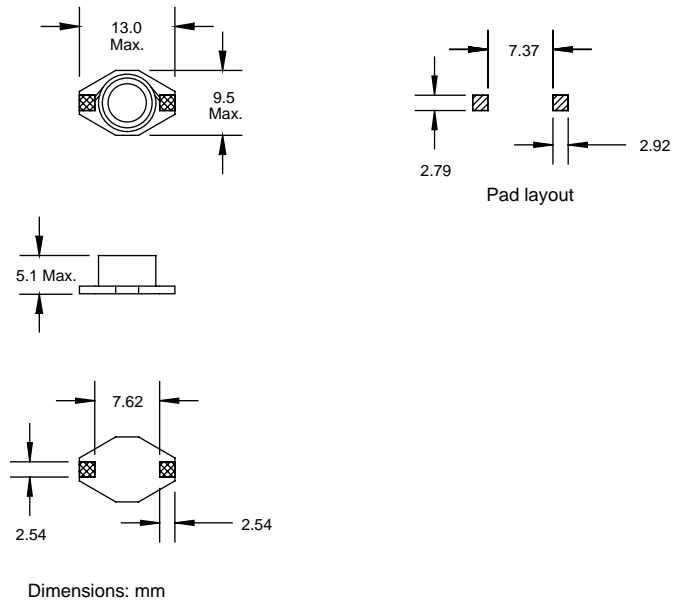
- High reliability, low magnetic coupling and densely packed board design
- Small cell phones
- PDAs
- Pagers
- Flash memory programmers
- Notebook computers
- Battery chargers
- DC/DC converters
- Network cards
- Switching boards
- Industrial electronics
- Entertainment electronic devices

## Notes

- \* Saturation current to cause 10 % inductance drop
- \*\* Rms current to cause 15 °C temperature rise

| PM3316S Series  |                  |         |      |                 |                 |                   |
|-----------------|------------------|---------|------|-----------------|-----------------|-------------------|
| Part Number     | L (μH)<br>± 20 % | DCR (Ω) |      | I, sat.*<br>(A) | I, rms**<br>(A) | Bourns Equivalent |
|                 |                  |         | Max. |                 |                 |                   |
| PM3316S-1R0M-RC | 1.0              | 0.021   |      | 5.6             | 5.0             | SRR1005           |
| PM3316S-1R5M-RC | 1.5              | 0.022   |      | 5.2             | 4.5             |                   |
| PM3316S-2R2M-RC | 2.2              | 0.032   |      | 5.0             | 3.8             |                   |
| PM3316S-3R3M-RC | 3.3              | 0.039   |      | 3.9             | 3.3             |                   |
| PM3316S-4R7M-RC | 4.7              | 0.054   |      | 3.2             | 2.7             |                   |
| PM3316S-6R8M-RC | 6.8              | 0.075   |      | 2.8             | 2.2             |                   |
| PM3316S-100M-RC | 10               | 0.101   |      | 2.4             | 2.0             |                   |
| PM3316S-150M-RC | 15               | 0.15    |      | 2.0             | 1.5             |                   |
| PM3316S-220M-RC | 22               | 0.207   |      | 1.6             | 1.3             |                   |
| PM3316S-330M-RC | 33               | 0.334   |      | 1.4             | 1.1             |                   |
| PM3316S-470M-RC | 47               | 0.472   |      | 1.0             | 0.8             |                   |

Only available as RoHS compliant.



# Shielded, SMT Power Inductors

## Special Features

- Magnetic shielded for low radiation
- Ferrite bobbin core
- Low core loss for high frequency power applications
- Low profile, compact size
- Large terminal surface for good PCB bonding
- Operating temperature -30 to +100 °C
- Tape & reel packaged 2000/reel

## Typical Applications

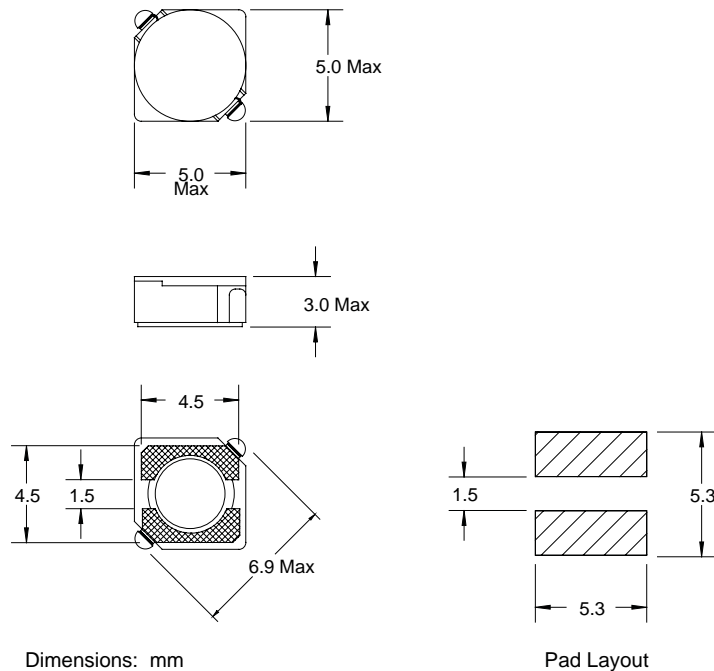
- Desktop, notebook computers, servers
- Network hubs, bridges, routers
- xDSL, PBX base stations
- Cell phones, pagers, GPS systems
- PDAs, MP3 players, digital cameras
- Digital TVs, DVDs, cable modems, DSS set-top boxes
- Battery chargers
- High frequency wireless communication devices
- Electronic game devices

## Notes

- \* Rated current to cause max. 35 % of inductance drop and 40 °C temperature rise
- \*\* Closest alternative - these models are available on requests as projects only. Please consult a Bourns application engineer for the solution that best suits your needs.

| PM428S Series |                               |                 |        |                   |
|---------------|-------------------------------|-----------------|--------|-------------------|
| Part Number   | L (μH)<br>± 30 %<br>@ 100 KHz | DCR (Ω)<br>Max. | I* (A) | Bourns Equivalent |
| PM428S-1R2    | 1.2                           | 0.024           | 2.56   |                   |
| PM428S-1R8    | 1.8                           | 0.028           | 2.20   |                   |
| PM428S-2R2    | 2.2                           | 0.031           | 2.04   |                   |
| PM428S-2R7    | 2.7                           | 0.043           | 1.60   |                   |
| PM428S-3R3    | 3.3                           | 0.049           | 1.57   |                   |
| PM428S-3R9    | 3.9                           | 0.065           | 1.44   |                   |
| PM428S-4R7    | 4.7                           | 0.072           | 1.32   |                   |
| PM428S-5R6    | 5.6                           | 0.101           | 1.17   |                   |
| PM428S-6R8    | 6.8                           | 0.109           | 1.12   |                   |
| PM428S-8R2    | 8.2                           | 0.118           | 1.04   |                   |
| PM428S-100    | 10                            | 0.128           | 1.00   |                   |
| PM428S-120    | 12                            | 0.132           | 0.84   |                   |
| PM428S-150    | 15                            | 0.149           | 0.76   |                   |
| PM428S-180    | 18                            | 0.166           | 0.72   | SRR4028**         |
| PM428S-220    | 22                            | 0.235           | 0.70   |                   |
| PM428S-270    | 27                            | 0.261           | 0.58   |                   |
| PM428S-330    | 33                            | 0.378           | 0.56   |                   |
| PM428S-390    | 39                            | 0.384           | 0.50   |                   |
| PM428S-470    | 47                            | 0.587           | 0.48   |                   |
| PM428S-560    | 56                            | 0.625           | 0.41   |                   |
| PM428S-680    | 68                            | 0.699           | 0.35   |                   |
| PM428S-820    | 82                            | 0.915           | 0.32   |                   |
| PM428S-101    | 100                           | 1.02            | 0.29   |                   |
| PM428S-121    | 120                           | 1.27            | 0.27   |                   |
| PM428S-151    | 150                           | 1.35            | 0.24   |                   |
| PM428S-181    | 180                           | 1.54            | 0.22   |                   |

For RoHS compliant version, add "-RC" to part number.



**BOURNS®**

Tel. (877) 426-8767 • Fax (951) 781-5006

www.bourns.com



# Shielded, SMT Power Inductors

## Special Features

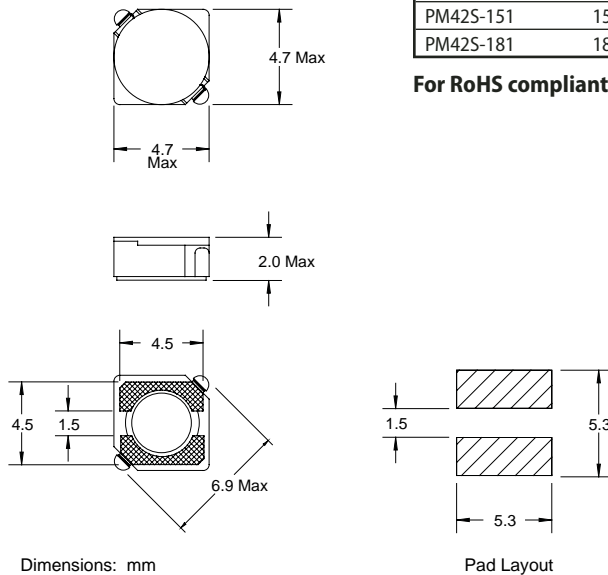
- Ultra low profile
- Magnetic shielded for low radiation
- Ferrite bobbin core
- Low core loss for high frequency power applications
- Compact size
- Large terminal surface for good PCB bonding
- Operating temperature -30 to +100 °C
- Tape & reel packaged 1000/reel

## Notes

- \* Current to cause max. 25 % of inductance drop, or 40 °C temperature rise
- \*\* Closest alternative - these models are available on requests as projects only. Please consult a Bourns application engineer for the solution that best suits your needs.

| PM42S Series |                 |                     |                 |               |                   |
|--------------|-----------------|---------------------|-----------------|---------------|-------------------|
| Part Number  | L (μH)<br>±30 % | Test Freq.<br>(MHz) | DCR (Ω)<br>Max. | I, DC*<br>(A) | Bourns Equivalent |
| PM42S-1R0    | 1.0             | 7.96                | 0.045           | 1.72          |                   |
| PM42S-2R2    | 2.2             | 7.96                | 0.075           | 1.32          |                   |
| PM42S-2R7    | 2.7             | 7.96                | 0.105           | 1.28          |                   |
| PM42S-3R3    | 3.3             | 7.96                | 0.110           | 1.04          |                   |
| PM42S-3R9    | 3.9             | 7.96                | 0.155           | 0.88          |                   |
| PM42S-4R7    | 4.7             | 7.96                | 0.162           | 0.84          |                   |
| PM42S-5R6    | 5.6             | 7.96                | 0.170           | 0.80          |                   |
| PM42S-6R8    | 6.8             | 7.96                | 0.200           | 0.76          |                   |
| PM42S-8R2    | 8.2             | 7.96                | 0.245           | 0.68          |                   |
| PM42S-100    | 10              | 10 KHz              | 0.200           | 0.61          |                   |
| PM42S-120    | 12              | 10 KHz              | 0.210           | 0.56          |                   |
| PM42S-150    | 15              | 10 KHz              | 0.240           | 0.50          |                   |
| PM42S-180    | 18              | 10 KHz              | 0.338           | 0.48          | SRR4018**         |
| PM42S-220    | 22              | 10 KHz              | 0.397           | 0.41          |                   |
| PM42S-270    | 27              | 10 KHz              | 0.441           | 0.35          |                   |
| PM42S-330    | 33              | 10 KHz              | 0.394           | 0.32          |                   |
| PM42S-390    | 39              | 10 KHz              | 0.709           | 0.30          |                   |
| PM42S-470    | 47              | 10 KHz              | 0.922           | 0.28          |                   |
| PM42S-560    | 56              | 10 KHz              | 1.08            | 0.26          |                   |
| PM42S-680    | 68              | 10 KHz              | 1.30            | 0.24          |                   |
| PM42S-820    | 82              | 10 KHz              | 1.56            | 0.22          |                   |
| PM42S-101    | 100             | 10 KHz              | 1.73            | 0.20          |                   |
| PM42S-121    | 120             | 10 KHz              | 2.39            | 0.18          |                   |
| PM42S-151    | 150             | 10 KHz              | 2.67            | 0.15          |                   |
| PM42S-181    | 180             | 10 KHz              | 4.00            | 0.14          |                   |

For RoHS compliant version, add "-RC" to part number.



# Shielded, SMT Power Inductors

## Special Features

- High current capacity
- Magnetically shielded
- Low DCR
- Ferrite bobbin core
- Compact size
- High heat resistance, ideal for reflow soldering
- High reliability
- Test frequency 100 KHz
- Operating temperature -40 to +85 °C
- Tape & reel packaged 250/reel

## Typical Applications

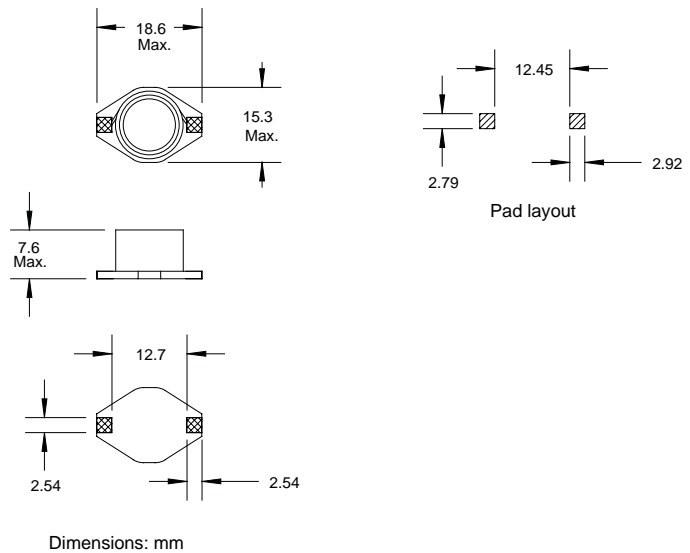
- High reliability, low magnetic coupling densely packed board design
- Small cell phones
- PDAs
- Pagers
- Flash memory programmers
- Notebook computers
- Battery chargers
- DC/DC converters
- Network cards
- Switching boards
- Industrial electronics
- Entertainment electronic devices

## Notes

- \* Saturation current to cause 10 % inductance drop
- \*\* Rms current to cause 40 °C temperature

| PM5022S Series |                  |             |                 |                 |                   |
|----------------|------------------|-------------|-----------------|-----------------|-------------------|
| Part Number    | L (μH)<br>± 20 % | DCR         | I, sat.*<br>(A) | I, rms**<br>(A) | Bourns Equivalent |
|                |                  | (Ω)<br>Max. |                 |                 |                   |
| PM5022S-100M   | 10               | 0.04        | 8.0             | 3.9             | SRR1806           |
| PM5022S-150M   | 15               | 0.048       | 7.0             | 3.4             |                   |
| PM5022S-220M   | 22               | 0.059       | 6.0             | 3.1             |                   |
| PM5022S-330M   | 33               | 0.075       | 5.0             | 2.8             |                   |
| PM5022S-470M   | 47               | 0.097       | 4.0             | 2.4             |                   |
| PM5022S-680M   | 68               | 0.138       | 3.0             | 2.0             |                   |
| PM5022S-101M   | 100              | 0.207       | 2.4             | 1.7             |                   |
| PM5022S-151M   | 150              | 0.293       | 2.1             | 1.3             |                   |
| PM5022S-221M   | 220              | 0.47        | 1.9             | 1.1             |                   |
| PM5022S-331M   | 330              | 0.78        | 1.1             | 0.86            |                   |
| PM5022S-471M   | 470              | 1.08        | 1.1             | 0.73            |                   |
| PM5022S-681M   | 680              | 1.4         | 0.96            | 0.64            |                   |
| PM5022S-102M   | 1000             | 2.01        | 0.8             | 0.53            |                   |

For RoHS compliant version, add "-RC" to part number.



# Shielded, SMT Power Inductors

## Special Features

- Magnetic shielded for low radiation
- Ferrite bobbin core
- Low core loss for high frequency power applications
- Low profile, compact size
- Large terminal surface for good PCB bonding
- Operating temperature -40 to +85 °C
- Tape & reel packaged 2000/reel

## Typical Applications

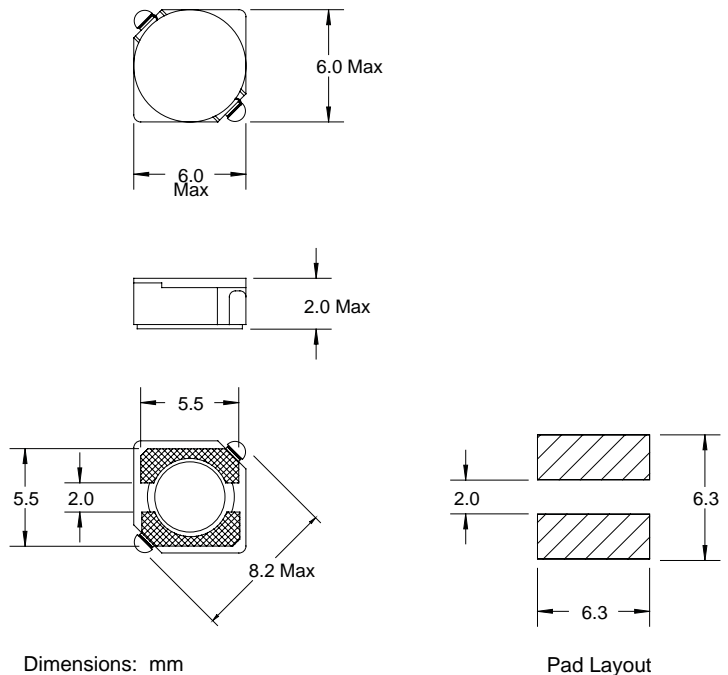
- Desktop, notebook computers, servers
- Network hubs, bridges, routers
- xDSL, PBX base stations
- Cell phones, pagers, GPS systems
- PDAs, MP3 players, digital cameras
- Digital TVs, DVDs, cable modems, DSS set-top boxes
- Battery chargers
- High frequency wireless communication devices
- Electronic game devices

## Notes

- \* Rated current to cause max. 35 % of inductance drop and 30 °C temperature rise
- \*\* Closest alternative - these models are available on requests as projects only. Please consult a Bourns application engineer for the solution that best suits your needs.

| PM518S Series |                              |                 |        |                   |
|---------------|------------------------------|-----------------|--------|-------------------|
| Part Number   | L (μH)<br>± 30 %<br>@ 10 KHz | DCR (Ω)<br>Max. | I* (A) | Bourns Equivalent |
| PM518S-4R1    | 4.1                          | 0.057           | 1.95   |                   |
| PM518S-5R4    | 5.4                          | 0.076           | 1.60   |                   |
| PM518S-6R2    | 6.2                          | 0.096           | 1.40   |                   |
| PM518S-8R9    | 8.9                          | 0.116           | 1.25   |                   |
| PM518S-100    | 10                           | 0.124           | 1.20   |                   |
| PM518S-120    | 12                           | 0.153           | 1.10   |                   |
| PM518S-150    | 15                           | 0.196           | 0.97   |                   |
| PM518S-180    | 18                           | 0.210           | 0.85   |                   |
| PM518S-220    | 22                           | 0.290           | 0.80   | SRR5018**         |
| PM518S-270    | 27                           | 0.330           | 0.75   |                   |
| PM518S-330    | 33                           | 0.386           | 0.65   |                   |
| PM518S-390    | 39                           | 0.520           | 0.57   |                   |
| PM518S-470    | 47                           | 0.595           | 0.54   |                   |
| PM518S-560    | 56                           | 0.665           | 0.50   |                   |
| PM518S-680    | 68                           | 0.840           | 0.43   |                   |
| PM518S-820    | 82                           | 0.978           | 0.41   |                   |
| PM518S-101    | 100                          | 1.20            | 0.36   |                   |

For RoHS compliant version, add "-RC" to part number.



# Shielded, SMT Power Inductors

## Special Features

- Magnetic shielded for low radiation
- Ferrite bobbin core
- Low core loss for high frequency power applications
- Low profile, compact size
- Large terminal surface for good PCB bonding
- Operating temperature -40 to +85 °C
- Tape & reel packaged 2000/reel

## Typical Applications

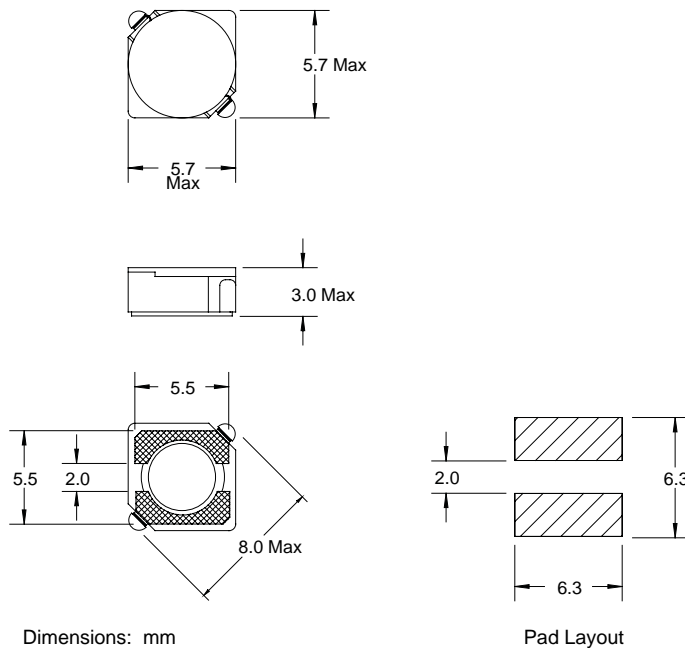
- Desktop, notebook computers, servers
- Network hubs, bridges, routers
- xDSL, PBX base stations
- Cell phones, pagers, GPS systems
- PDAs, MP3 players, digital cameras
- Digital TVs, DVDs, cable modems, DSS set-top boxes
- Battery chargers
- High frequency wireless communication devices
- Electronic game devices

## Notes

- \* Rated current to cause max. 35 % of inductance drop and 30 °C temperature rise
- \*\* Closest alternative - these models are available on requests as projects only. Please consult a Bourns application engineer for the solution that best suits your needs.

| PM528S Series |                              |                 |        |                   |
|---------------|------------------------------|-----------------|--------|-------------------|
| Part Number   | L (μH)<br>± 30 %<br>@ 10 KHz | DCR (Ω)<br>Max. | I* (A) | Bourns Equivalent |
| PM528S-2R6    | 2.6                          | 0.018           | 2.60   |                   |
| PM528S-3R0    | 3.0                          | 0.024           | 2.40   |                   |
| PM528S-4R2    | 4.2                          | 0.031           | 2.20   |                   |
| PM528S-5R3    | 5.3                          | 0.038           | 1.90   |                   |
| PM528S-6R2    | 6.2                          | 0.045           | 1.80   |                   |
| PM528S-8R2    | 8.2                          | 0.053           | 1.60   |                   |
| PM528S-100    | 10                           | 0.065           | 1.30   |                   |
| PM528S-120    | 12                           | 0.076           | 1.20   |                   |
| PM528S-150    | 15                           | 0.103           | 1.10   |                   |
| PM528S-180    | 18                           | 0.110           | 1.00   | SRR5028**         |
| PM528S-220    | 22                           | 0.122           | 0.90   |                   |
| PM528S-270    | 27                           | 0.175           | 0.85   |                   |
| PM528S-330    | 33                           | 0.189           | 0.75   |                   |
| PM528S-390    | 39                           | 0.212           | 0.70   |                   |
| PM528S-470    | 47                           | 0.260           | 0.62   |                   |
| PM528S-560    | 56                           | 0.305           | 0.58   |                   |
| PM528S-680    | 68                           | 0.355           | 0.52   |                   |
| PM528S-820    | 82                           | 0.463           | 0.46   |                   |
| PM528S-101    | 100                          | 0.520           | 0.42   |                   |

For RoHS compliant version, add "-RC" to part number.



**BOURNS®**

Tel. (877) 426-8767 • Fax (951) 781-5006

www.bourns.com

# Shielded, SMT Power Inductors

## Special Features

- Magnetic shielded for low radiation
- Ferrite bobbin core
- Low core loss for high frequency power applications
- Low profile, compact size
- Large terminal surface for good PCB bonding
- Operating temperature -25 to +85 °C
- Tape & reel packaged 1500/reel

## Typical Applications

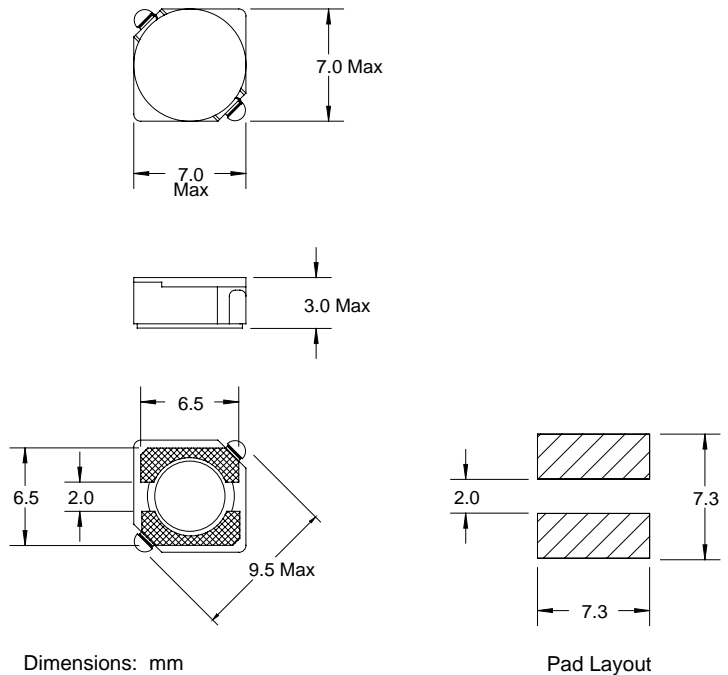
- Desktop, notebook computers, servers
- Network hubs, bridges, routers
- xDSL, PBX base stations
- GPS systems
- PDAs, MP3 players, digital cameras
- Digital TVs, DVDs, cable modems, DSS set-top boxes
- Battery chargers
- High frequency wireless communication devices
- Electronic game devices

## Notes

- \* Rated current to cause max. 35 % of inductance drop and 30 °C temperature rise
- \*\* Closest alternative - these models are available on requests as projects only. Please consult a Bourns application engineer for the solution that best suits your needs.

| PM628S Series |                              |                 |        |                   |
|---------------|------------------------------|-----------------|--------|-------------------|
| Part Number   | L (μH)<br>± 30 %<br>@ 10 KHz | DCR (Ω)<br>Max. | I* (A) | Bourns Equivalent |
| PM628S-3R0    | 3.0                          | 0.024           | 3.00   |                   |
| PM628S-3R9    | 3.9                          | 0.027           | 2.60   |                   |
| PM628S-5R0    | 5.0                          | 0.031           | 2.40   |                   |
| PM628S-6R0    | 6.0                          | 0.035           | 2.25   |                   |
| PM628S-7R3    | 7.3                          | 0.054           | 2.10   |                   |
| PM628S-8R6    | 8.6                          | 0.058           | 1.85   |                   |
| PM628S-100    | 10                           | 0.065           | 1.70   |                   |
| PM628S-120    | 12                           | 0.070           | 1.55   |                   |
| PM628S-150    | 15                           | 0.084           | 1.40   |                   |
| PM628S-180    | 18                           | 0.095           | 1.32   | SRR6028**         |
| PM628S-220    | 22                           | 0.128           | 1.20   |                   |
| PM628S-270    | 27                           | 0.142           | 1.05   |                   |
| PM628S-330    | 33                           | 0.165           | 0.97   |                   |
| PM628S-390    | 39                           | 0.210           | 0.86   |                   |
| PM628S-470    | 47                           | 0.238           | 0.80   |                   |
| PM628S-560    | 56                           | 0.277           | 0.73   |                   |
| PM628S-680    | 68                           | 0.304           | 0.65   |                   |
| PM628S-820    | 82                           | 0.390           | 0.60   |                   |
| PM628S-101    | 100                          | 0.535           | 0.54   |                   |

For RoHS compliant version, add "-RC" to part number.



**BOURNS®**

Tel. (877) 426-8767 • Fax (951) 781-5006

www.bourns.com

# Shielded, SMT Power Inductors

## Special Features

- Magnetic shielded for low radiation
- Ferrite bobbin core
- Low core loss for high frequency power applications
- Low profile, compact size
- Large terminal surface for good PCB bonding
- Operating temperature -25 to +85 °C
- Tape & reel packaged 1000/reel

## Typical Applications

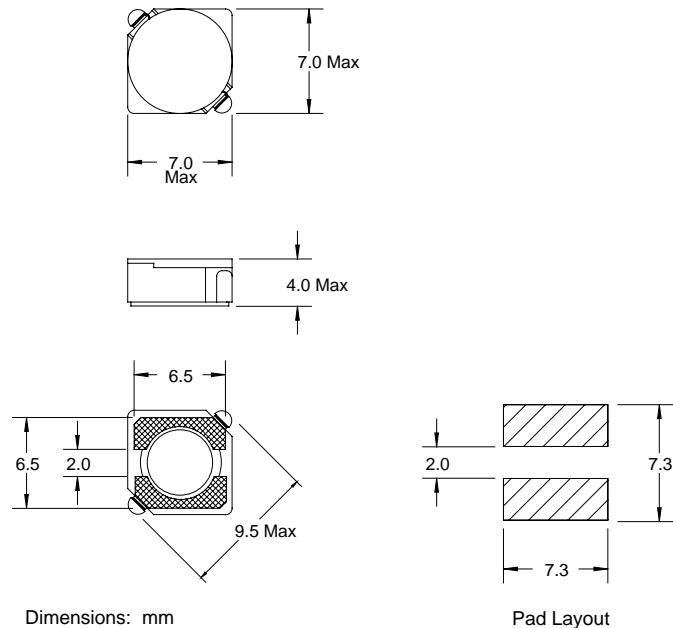
- Desktop, notebook computers, servers
- Network hubs, bridges, routers
- xDSL, PBX base stations
- GPS systems
- PDAs, MP3 players, digital cameras
- Digital TVs, DVDs, cable modems, DSS set-top boxes
- Battery chargers
- High frequency wireless communication devices
- Electronic game devices

## Notes

- \* Rated current to cause max. 35 % of inductance drop and 30 °C temperature rise
- \*\* Closest alternative - these models are available on requests as projects only. Please consult a Bourns application engineer for the solution that best suits your needs.

| PM638S Series |                              |                 |        |                   |
|---------------|------------------------------|-----------------|--------|-------------------|
| Part Number   | L (μH)<br>± 30 %<br>@ 10 KHz | DCR (Ω)<br>Max. | I* (A) | Bourns Equivalent |
| PM638S-3R3    | 3.3                          | 0.020           | 3.50   | SRR6038**         |
| PM638S-5R0    | 5.0                          | 0.024           | 2.90   |                   |
| PM638S-6R2    | 6.2                          | 0.027           | 2.50   |                   |
| PM638S-7R4    | 7.4                          | 0.031           | 2.30   |                   |
| PM638S-8R7    | 8.7                          | 0.034           | 2.20   |                   |
| PM638S-100    | 10                           | 0.038           | 2.00   |                   |
| PM638S-120    | 12                           | 0.053           | 1.70   |                   |
| PM638S-150    | 15                           | 0.057           | 1.60   |                   |
| PM638S-180    | 18                           | 0.092           | 1.50   |                   |
| PM638S-220    | 22                           | 0.096           | 1.30   |                   |
| PM638S-270    | 27                           | 0.109           | 1.20   |                   |
| PM638S-330    | 33                           | 0.124           | 1.10   |                   |
| PM638S-390    | 39                           | 0.138           | 1.00   |                   |
| PM638S-470    | 47                           | 0.155           | 0.95   |                   |
| PM638S-560    | 56                           | 0.202           | 0.85   |                   |
| PM638S-680    | 68                           | 0.234           | 0.75   |                   |
| PM638S-820    | 82                           | 0.324           | 0.70   |                   |
| PM638S-101    | 100                          | 0.358           | 0.65   |                   |

For RoHS compliant version, add "-RC" to part number.



# Shielded, SMT Power Inductors

## Special Features

- High current capacity
- Magnetic shielded for low radiation
- Ferrite bobbin core
- Low core loss for high frequency power applications
- Compact size
- Large terminal surface for good PCB bonding
- Easy access for reflow soldering inspection
- Operating temperature -30 to +100 °C
- Tape & reel packaged 1500/reel

## Typical Applications

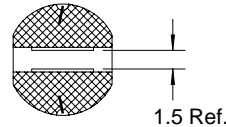
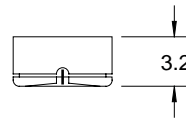
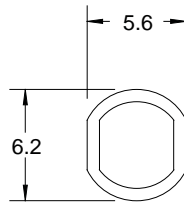
- Desktop, notebook computers, servers
- Network hubs, bridges, routers
- xDSL, PBX base stations
- PDAs, MP3 players
- Digital TVs, DVDs, cable modems, DSS set-top boxes
- Battery chargers
- High frequency wireless communication devices
- Electronic game devices
- Industrial electronics

## Notes

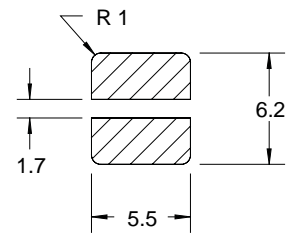
- \* Current to cause 10 % of inductance drop, or 40 °C temperature rise

| PM63SB Series |                 |            |                   |                 |                       |
|---------------|-----------------|------------|-------------------|-----------------|-----------------------|
| Part Number   | L (μH)<br>±20 % | Test Freq. | SRF (MHz)<br>Typ. | DCR (Ω)<br>Max. | I <sub>DC</sub> * (A) |
| PM63SB-100M   | 10              | 2.52MHz    | 35                | 0.14            | 1.00                  |
| PM63SB-120M   | 12              | 2.52MHz    | 32                | 0.16            | 0.94                  |
| PM63SB-150M   | 15              | 2.52MHz    | 29                | 0.18            | 0.86                  |
| PM63SB-180M   | 18              | 2.52MHz    | 26                | 0.25            | 0.78                  |
| PM63SB-220M   | 22              | 2.52MHz    | 23                | 0.32            | 0.76                  |
| PM63SB-270M   | 27              | 2.52MHz    | 20                | 0.36            | 0.64                  |
| ± 15 %        |                 |            |                   |                 |                       |
| PM63SB-330L   | 33              | 2.52MHz    | 18                | 0.41            | 0.61                  |
| PM63SB-390L   | 39              | 2.52MHz    | 17                | 0.47            | 0.53                  |
| PM63SB-470L   | 47              | 2.52MHz    | 15                | 0.51            | 0.50                  |
| PM63SB-560L   | 56              | 2.52MHz    | 14                | 0.72            | 0.46                  |
| PM63SB-680L   | 68              | 2.52MHz    | 12                | 0.82            | 0.42                  |

For RoHS compliant version, add "-RC" to part number.



Dimensions: mm  
Tolerance: +/- 0.3



Pad Layout

# Shielded, SMT Power Inductors

## Special Features

- High current capacity
- Magnetically shielded
- Low DCR
- Ferrite bobbin core
- Low profile, compact size
- High heat resistance, ideal for reflow soldering
- High reliability
- Test frequency 1 KHz
- Operating temperature -20 to +85 °C
- Tape & reel packaged 1000/reel

## Typical Applications

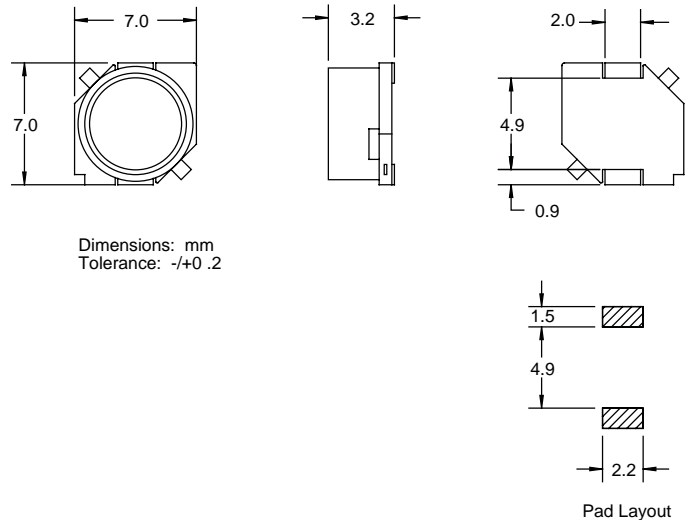
- High reliability, low magnetic coupling and densely packed board design
- Small cell phones
- PDAs
- Pagers
- Flash memory programmers
- Notebook computers
- Battery chargers
- DC/DC converters
- Network cards
- Switching boards
- Industrial electronics
- Entertainment electronic devices

## Notes

- \* Saturation current to cause 10 % inductance drop
- \*\* Rated current to cause 40 °C temperature rise
- \*\*\* Closest alternative - these models are available on requests as projects only. Please consult a Bourns application engineer for the solution that best suits your needs.

| PM7032S Series |                  |         |      |                 |                    |                   |
|----------------|------------------|---------|------|-----------------|--------------------|-------------------|
| Part Number    | L (μH)<br>± 20 % | DCR (Ω) |      | I, sat.*<br>(A) | I, rated **<br>(A) | Bourns Equivalent |
|                |                  |         | Max. |                 |                    |                   |
| PM7032S-3R3M   | 3.3              | 0.028   |      | 1.9             | 2.2                |                   |
| PM7032S-4R7M   | 4.7              | 0.043   |      | 1.7             | 1.8                |                   |
| PM7032S-6R8M   | 6.8              | 0.049   |      | 1.6             | 1.7                |                   |
| PM7032S-100M   | 10               | 0.064   |      | 1.4             | 1.5                |                   |
| PM7032S-150M   | 15               | 0.09    |      | 1.1             | 1.2                |                   |
| PM7032S-220M   | 22               | 0.13    |      | 0.96            | 1.0                |                   |
| PM7032S-330M   | 33               | 0.19    |      | 0.75            | 0.86               |                   |
| PM7032S-470M   | 47               | 0.29    |      | 0.67            | 0.71               | SRR7032***        |
| PM7032S-680M   | 68               | 0.37    |      | 0.59            | 0.62               |                   |
| PM7032S-101M   | 100              | 0.54    |      | 0.45            | 0.51               |                   |
| PM7032S-151M   | 150              | 0.78    |      | 0.37            | 0.43               |                   |
| PM7032S-221M   | 220              | 1.26    |      | 0.29            | 0.33               |                   |
| PM7032S-331M   | 330              | 2.00    |      | 0.22            | 0.26               |                   |
| PM7032S-471M   | 470              | 2.46    |      | 0.20            | 0.24               |                   |
| PM7032S-681M   | 680              | 3.78    |      | 0.16            | 0.19               |                   |
| PM7032S-102M   | 1000             | 5.74    |      | 0.13            | 0.13               |                   |

For RoHS compliant version, add "-RC" to part number.





# Shielded, SMT High Current Power Inductors

## Special Features

- Magnetically shielded for low radiation
- High saturation current
- Low DC resistance
- Low profile
- High temperature application environment
- Operating frequency up to 3 MHz
- Operating temperature: -40 to +150 °C
- Tape and reel packaging

## Typical Applications

- Ideal for very high current DC/DC converter output inductors
- High-density, tight-board space designs
- High-speed notebook computers
- Video game machines
- Low-profile/high-current power supplies

## Notes

\* Rated DC current to cause 40 °C temperature rise

\*\* Max. DC current to cause 100 °C temperature rise

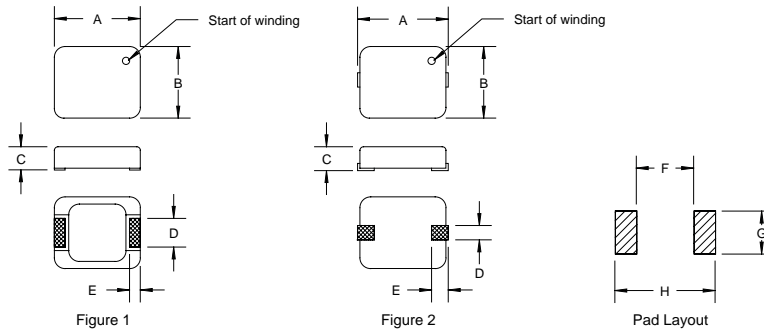
Test frequency: 100 KHz

| PM7232S / PM1038S / PM12639S / PM12645S / PM12651S / PM13560S / PM13656S / PM13666S Series |              |              |                         |                                   |                        |                                 |                   |
|--|--------------|--------------|-------------------------|-----------------------------------|------------------------|---------------------------------|-------------------|
| Part Number  | L (μH) ±20 % | DCR (Ω) Max. | I <sub>rated</sub> (A)* | L (μH) ±20 % @ I <sub>rated</sub> | I <sub>max</sub> (A)** | L (μH) ±20 % @ I <sub>max</sub> | Bourns Equivalent |
| PM7232S-R10M   | 0.10         | 0.0011       | 22                      | 0.09                              | 32                     | 0.08                            | SRP7030           |
| PM7232S-R22M   | 0.22         | 0.0017       | 17                      | 0.20                              | 28                     | 0.19                            |                   |
| PM7232S-R47M   | 0.47         | 0.0030       | 15                      | 0.37                              | 25                     | 0.30                            |                   |
| PM7232S-R72M   | 0.72         | 0.0080       | 12.5                    | 0.60                              | 22                     | 0.44                            |                   |
| PM7232S-1R0M   | 1.0          | 0.0084       | 10                      | 0.85                              | 15                     | 0.72                            |                   |
| PM7232S-1R5M   | 1.5          | 0.0095       | 9.0                     | 1.1                               | 14                     | 1.0                             |                   |
| PM1038S-R15M   | 0.15         | 0.00073      | 30                      | 0.13                              | 51                     | 0.1                             | SRP1235           |
| PM1038S-R39M   | 0.39         | 0.00145      | 24                      | 0.33                              | 40                     | 0.28                            |                   |
| PM1038S-R50M   | 0.50         | 0.00148      | 23                      | 0.41                              | 37                     | 0.34                            |                   |
| PM1038S-R75M   | 0.75         | 0.0035       | 20                      | 0.63                              | 25                     | 0.58                            |                   |
| PM1038S-1R2M   | 1.2          | 0.0047       | 17                      | 1.02                              | 24.5                   | 0.91                            |                   |
| PM1038S-1R7M   | 1.7          | 0.0079       | 15                      | 1.42                              | 22.5                   | 1.17                            |                   |
| PM1038S-2R5M   | 2.5          | 0.0087       | 11.5                    | 2.08                              | 16.5                   | 1.85                            | SRP1250           |
| PM12639S-R67M  | 0.67         | 0.0014       | 23                      | 0.54                              | 35                     | 0.5                             |                   |
| PM12639S-1R2M  | 1.2          | 0.0028       | 18.5                    | 1.01                              | 23.5                   | 0.93                            |                   |
| PM12645S-1R2M  | 1.2          | 0.0018       | 21                      | 1.0                               | 35                     | 0.81                            |                   |
| PM12645S-1R8M  | 1.8          | 0.0035       | 16                      | 1.5                               | 26                     | 1.30                            |                   |
| PM12645S-2R7M  | 2.7          | 0.0044       | 15                      | 2.14                              | 24                     | 1.81                            |                   |
| PM12651S-R50M  | 0.5          | 0.0011       | 24                      | 0.42                              | 32                     | 0.37                            | SRP1250           |
| PM12651S-4R7M  | 4.7          | 0.0072       | 12                      | 3.64                              | 17                     | 3.3                             |                   |
| PM12651S-9R0M  | 9.0          | 0.0149       | 7.5                     | 7.65                              | 13                     | 6.5                             |                   |
| PM13560S-6R0M  | 6.0          | 0.0107       | 9.5                     | 5.0                               | 16                     | 4.2                             |                   |
| PM13560S-100M  | 10           | 0.0149       | 7.5                     | 8.0                               | 12                     | 7.0                             |                   |
| PM13656S-R22M  | 0.22         | 0.00054      | 34                      | 0.2                               | 80                     | 0.16                            |                   |
| PM13656S-R50M  | 0.5          | 0.00088      | 40                      | 0.43                              | 60                     | 0.35                            |                   |
| PM13666S-1R0M  | 1.0          | 0.0012       | 25                      | 0.8                               | 38                     | 0.7                             |                   |

For RoHS compliant version, add "-RC" to part number.

## Dimensions (mm), Tolerance: ±0.4 mm

| Series Number | A    | B    | C   | D   | E   | F (Ref) | G (Ref) | H (Ref) | Fig. | Reel Size |
|---------------|------|------|-----|-----|-----|---------|---------|---------|------|-----------|
| PM7232S       | 7.2  | 6.6  | 3.2 | 3.5 | 1.3 | 3.0     | 4.0     | 7.5     | 1    | 1500      |
| PM1038S       | 10.5 | 10.0 | 3.8 | 2.0 | 2.4 | 4.5     | 5.0     | 11.5    | 2    | 800       |
| PM12639S      | 12.6 | 12.6 | 3.9 | 5.8 | 2.4 | 6.0     | 6.5     | 13.0    | 1    | 800       |
| PM12645S      | 12.6 | 12.6 | 4.5 | 5.8 | 2.4 | 6.0     | 6.5     | 13.0    | 1    | 800       |
| PM12651S      | 12.6 | 12.6 | 5.1 | 5.8 | 2.4 | 6.0     | 6.5     | 13.0    | 1    | 800       |
| PM13560S      | 13.0 | 12.6 | 5.6 | 5.8 | 2.4 | 6.4     | 6.5     | 13.4    | 1    | 500       |
| PM13656S      | 13.6 | 12.6 | 5.6 | 2.4 | 3.5 | 5.3     | 5.0     | 14.7    | 2    | 500       |
| PM13666S      | 13.6 | 12.6 | 6.6 | 2.4 | 3.5 | 5.3     | 5.0     | 14.7    | 2    | 500       |



**BOURNS®**

Tel. (877) 426-8767 • Fax (951) 781-5006

www.bourns.com

# Shielded, SMT Power Inductors

## Special Features

- Magnetic shielded for low radiation
- Ferrite bobbin core
- Low core loss for high frequency power applications
- Low profile, compact size
- Operating temperature -40 to +100 °C
- Tape & reel packaged 1000/reel

## Typical Applications

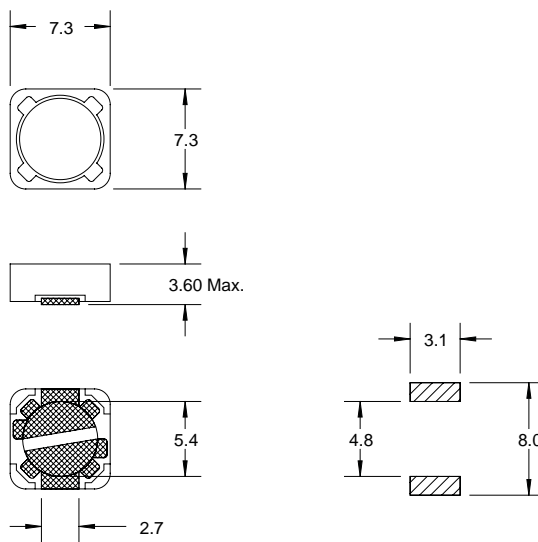
- Desktop, notebook computers, servers
- Network hubs, bridges, routers
- xDSL, PBX base stations
- GPS systems
- PDAs, MP3 players, digital cameras
- Digital TVs, DVDs, cable modems, DSS set-top boxes
- Battery chargers
- High frequency wireless communication devices
- Electronic game devices

## Notes

- \* Rated current to cause max. 20 % of inductance drop and 40 °C temperature rise.

| PM73SH Series |                           |                    |           |
|---------------|---------------------------|--------------------|-----------|
| Part Number   | L (μH)<br>±20 %<br>@1 KHz | DCR<br>(Ω)<br>Max. | I*<br>(A) |
| PM73SH-R56M   | 0.56                      | 0.011              | 4.02      |
| PM73SH-1R0M   | 1.0                       | 0.012              | 3.90      |
| PM73SH-1R5M   | 1.5                       | 0.015              | 3.48      |
| PM73SH-3R3M   | 3.3                       | 0.029              | 2.49      |
| PM73SH-4R7M   | 4.7                       | 0.036              | 2.24      |
| PM73SH-6R8M   | 6.8                       | 0.050              | 1.89      |
| PM73SH-100M   | 10                        | 0.061              | 1.72      |
| PM73SH-120M   | 12                        | 0.083              | 1.48      |
| PM73SH-150M   | 15                        | 0.099              | 1.35      |
| PM73SH-180M   | 18                        | 0.11               | 1.26      |
| PM73SH-220M   | 22                        | 0.13               | 1.17      |
| PM73SH-270M   | 27                        | 0.19               | 0.98      |
| PM73SH-330M   | 33                        | 0.22               | 0.90      |
| PM73SH-390M   | 39                        | 0.24               | 0.87      |
| PM73SH-470M   | 47                        | 0.27               | 0.82      |
| PM73SH-560M   | 56                        | 0.37               | 0.70      |
| PM73SH-680M   | 68                        | 0.41               | 0.67      |
| PM73SH-820M   | 82                        | 0.53               | 0.59      |
| PM73SH-101M   | 100                       | 0.58               | 0.56      |
| PM73SH-121M   | 120                       | 0.65               | 0.53      |
| PM73SH-151M   | 150                       | 0.74               | 0.50      |
| PM73SH-181M   | 180                       | 1.25               | 0.38      |
| PM73SH-221M   | 220                       | 1.50               | 0.35      |
| PM73SH-271M   | 270                       | 1.81               | 0.32      |
| PM73SH-331M   | 330                       | 1.84               | 0.31      |
| PM73SH-391M   | 390                       | 2.58               | 0.26      |
| PM73SH-471M   | 470                       | 2.75               | 0.26      |
| PM73SH-561M   | 560                       | 2.92               | 0.25      |
| PM73SH-681M   | 680                       | 4.55               | 0.20      |
| PM73SH-821M   | 820                       | 5.34               | 0.18      |
| PM73SH-102M   | 1000                      | 7.80               | 0.15      |

For RoHS compliant version, add "-RC" to part number.



Dimensions: mm  
Tolerance: -/+ 0.2

**BOURNS®**

Tel. (877) 426-8767 • Fax (951) 781-5006

www.bourns.com

# Shielded, SMT Power Inductors

## Special Features

- High current capacity
- Magnetic shielded for low radiation
- Ferrite bobbin core
- Low core loss for high frequency power applications
- Compact size
- Large terminal surface for good PCB bonding
- Easy access for reflow soldering inspection
- Operating temperature -30 to +100 °C
- Tape & reel packaged 1000/reel

## Typical Applications

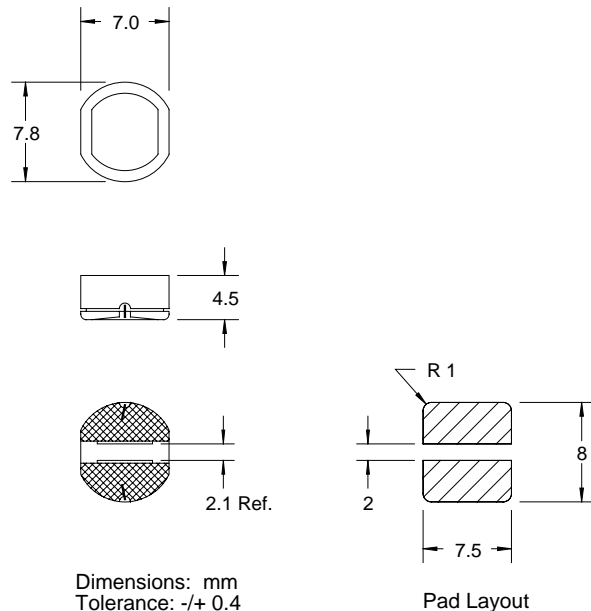
- Desktop, notebook computers, servers
- Network hubs, bridges, routers
- xDSL, PBX base stations
- PDAs, MP3 players
- Digital TVs, DVDs, cable modems, DSS set-top boxes
- Battery chargers
- High frequency wireless communication devices
- Electronic game devices
- Industrial electronics

## Notes

- \* Current to cause 10 % of inductance drop, or 40 °C temperature rise

| PM745B Series |                 |            |                   |                 |            |
|---------------|-----------------|------------|-------------------|-----------------|------------|
| Part Number   | L (μH)<br>±20 % | Test Freq. | SRF (MHz)<br>Typ. | DCR (Ω)<br>Max. | I, DC* (A) |
| PM745B-100M   | 10              | 2.52MHz    | 26                | 0.07            | 1.65       |
| PM745B-120M   | 12              | 2.52MHz    | 25                | 0.07            | 1.57       |
| PM745B-150M   | 15              | 2.52MHz    | 20                | 0.08            | 1.39       |
| PM745B-180M   | 18              | 2.52MHz    | 19                | 0.10            | 1.29       |
| PM745B-220M   | 22              | 2.52MHz    | 18                | 0.13            | 1.12       |
| PM745B-270M   | 27              | 2.52MHz    | 16                | 0.16            | 1.06       |
| ± 15 %        |                 |            |                   |                 |            |
| PM745B-330L   | 33              | 2.52MHz    | 15                | 0.18            | 0.97       |
| PM745B-390L   | 39              | 2.52MHz    | 14                | 0.18            | 0.91       |
| PM745B-470L   | 47              | 2.52MHz    | 12                | 0.27            | 0.80       |
| PM745B-560L   | 56              | 2.52MHz    | 11                | 0.29            | 0.76       |
| PM745B-680L   | 68              | 2.52MHz    | 10                | 0.33            | 0.68       |
| PM745B-820L   | 82              | 2.52MHz    | 9                 | 0.43            | 0.62       |
| ± 10 %        |                 |            |                   |                 |            |
| PM745B-101K   | 100             | 1 KHz      | 8                 | 0.49            | 0.55       |
| PM745B-121K   | 120             | 1 KHz      | 7                 | 0.68            | 0.49       |
| PM745B-151K   | 150             | 1 KHz      | 6                 | 0.94            | 0.44       |
| PM745B-181K   | 180             | 1 KHz      | 5                 | 1.00            | 0.40       |
| PM745B-221K   | 220             | 1 KHz      | 5                 | 1.18            | 0.36       |
| PM745B-271K   | 270             | 1 KHz      | 4                 | 1.30            | 0.33       |

For RoHS compliant version, add "-RC" to part number.



# Shielded, SMT Power Inductors

## Special Features

- Magnetic shielded for low radiation
- Ferrite bobbin core
- Low core loss for high frequency power applications
- Low profile, compact size
- Operating temperature -40 to +100 °C
- Tape & reel packaged 1000/reel

## Typical Applications

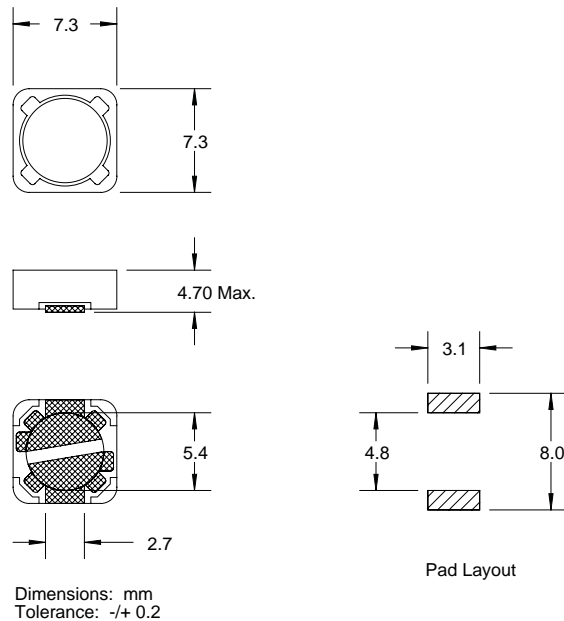
- Desktop, notebook computers, servers
- Network hubs, bridges, routers
- xDSL, PBX base stations
- GPS systems
- PDAs, MP3 players, digital cameras
- Digital TVs, DVDs, cable modems, DSS set-top boxes
- Battery chargers
- High frequency wireless communication devices
- Electronic game devices

## Notes

- \* Rated current to cause max. 20 % of inductance drop and 40 °C temperature rise

| PM74SH Series |                            |                 |        |                   |
|---------------|----------------------------|-----------------|--------|-------------------|
| Part Number   | L (μH)<br>±20 %<br>@ 1 KHz | DCR (Ω)<br>Max. | I* (A) | Bourns Equivalent |
| PM74SH-2R7M   | 2.7                        | 0.027           | 2.78   | SRR7045           |
| PM74SH-3R9M   | 3.9                        | 0.028           | 2.71   |                   |
| PM74SH-4R7M   | 4.7                        | 0.030           | 2.64   |                   |
| PM74SH-5R6M   | 5.6                        | 0.036           | 2.38   |                   |
| PM74SH-6R3M   | 6.3                        | 0.038           | 2.33   |                   |
| PM74SH-100M   | 10                         | 0.045           | 2.14   |                   |
| PM74SH-120M   | 12                         | 0.060           | 1.86   |                   |
| PM74SH-150M   | 15                         | 0.075           | 1.66   |                   |
| PM74SH-180M   | 18                         | 0.089           | 1.52   |                   |
| PM74SH-220M   | 22                         | 0.11            | 1.40   |                   |
| PM74SH-270M   | 27                         | 0.14            | 1.23   |                   |
| PM74SH-330M   | 33                         | 0.14            | 1.22   |                   |
| PM74SH-390M   | 39                         | 0.17            | 1.11   |                   |
| PM74SH-470M   | 47                         | 0.18            | 1.08   |                   |
| PM74SH-560M   | 56                         | 0.24            | 0.93   |                   |
| PM74SH-680M   | 68                         | 0.27            | 0.87   |                   |
| PM74SH-820M   | 82                         | 0.32            | 0.81   |                   |
| PM74SH-101M   | 100                        | 0.43            | 0.69   |                   |
| PM74SH-121M   | 120                        | 0.47            | 0.66   |                   |
| PM74SH-151M   | 150                        | 0.54            | 0.62   |                   |
| PM74SH-181M   | 180                        | 0.69            | 0.54   |                   |
| PM74SH-221M   | 220                        | 0.96            | 0.46   |                   |
| PM74SH-271M   | 270                        | 1.08            | 0.44   |                   |
| PM74SH-331M   | 330                        | 1.32            | 0.39   |                   |
| PM74SH-391M   | 390                        | 1.63            | 0.36   |                   |
| PM74SH-471M   | 470                        | 1.85            | 0.33   |                   |
| PM74SH-561M   | 560                        | 2.17            | 0.31   |                   |
| PM74SH-681M   | 680                        | 2.90            | 0.27   |                   |
| PM74SH-821M   | 820                        | 3.55            | 0.24   |                   |
| PM74SH-102M   | 1000                       | 4.74            | 0.21   |                   |

For RoHS compliant version, add "-RC" to part number.



**BOURNS®**

Tel. (877) 426-8767 • Fax (951) 781-5006

www.bourns.com

# SMT Common Mode Chokes

## Special Features

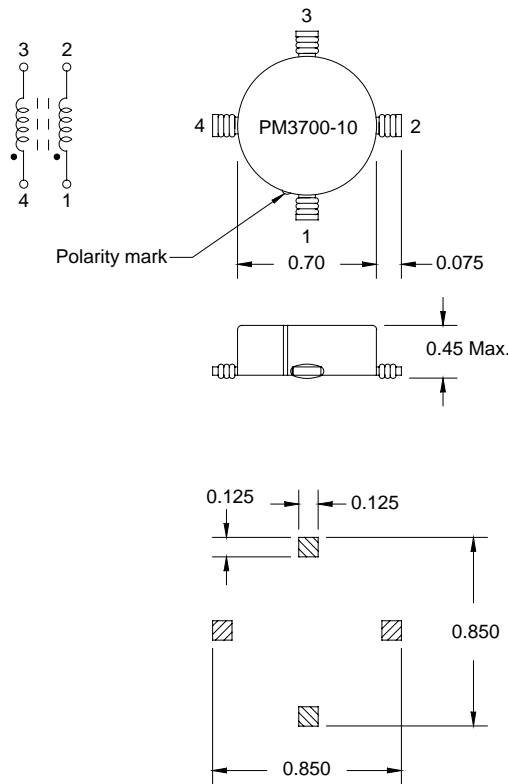
- Reduces conductive EMI emission
- Wide frequency range 10K to 100 MHz
- High current capacity
- Compact size
- Coil encapsulated in high-strength plastic case
- Suitable for wave & reflow solder
- Dielectric withstanding voltage 500 Vrms
- Operating temperature -55 to +105 °C
- Tape & reel packaged 200/reel

## Notes

\* Current to cause 35 °C max. temperature rise

| PM3700 Series |        |         |        |                                   |
|---------------|--------|---------|--------|-----------------------------------|
| Part Number   | L (mH) | DCR (Ω) | I* (A) | Typ. Freq. Range with 20dB Atten. |
| PM3700-10     | 0.2    | 0.008   | 7.0    | 5 - 55 MHz                        |
| PM3700-20     | 0.5    | 0.01    | 6.0    | 4 - 40 MHz                        |
| PM3700-30     | 0.75   | 0.012   | 5.5    | 1 - 20 MHz                        |
| PM3700-40     | 1.0    | 0.02    | 4.0    | 500 KHz - 40 MHz                  |
| PM3700-50     | 2.0    | 0.03    | 3.5    | 300 KHz - 20 MHz                  |
| PM3700-60     | 5.0    | 0.07    | 2.0    | 100 KHz - 10 MHz                  |
| PM3700-70     | 10     | 0.15    | 1.5    | 50 KHz - 5 MHz                    |
| PM3700-80     | 20     | 0.25    | 1.0    | 25 KHz - 4 MHz                    |

For RoHS compliant version, add "-RC" to part number.



Dimensions: Inches

Pad Layout

**BOURNS®**

Tel. (877) 426-8767 • Fax (951) 781-5006

[www.bourns.com](http://www.bourns.com)



**BOURNS®**

Tel. (877) 426-8767 • Fax (951) 781-5006

[www.bourns.com](http://www.bourns.com)

# Common Mode Chip Inductors

## Special Features

- High common mode impedance
- Excellent noise suppression performance
- Small size, low profile
- Rated voltage: 50 VDC
- Withstanding voltage: 125 VDC
- Insulation resistance: 10M  $\Omega$  min.
- Operating temperature: -55 to +125 °C

## Typical Applications

- Common mode noise suppression for high speed signal lines
- USB 2.0 line for personal computers and peripheral devices
- IEEE 1394 line for PC, DVC and LVDS
- Panel link line for LCD

## Notes

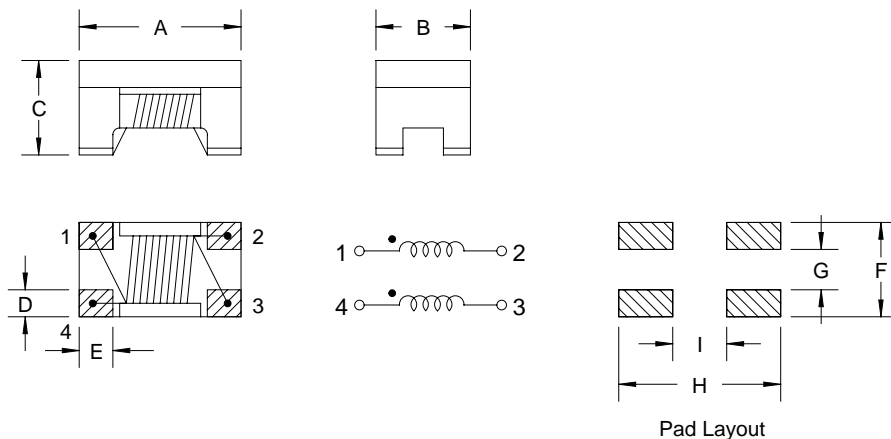
- \* Rated  $I_{dc}$  causes a 30 °C temperature rise
- \*\* Closest alternative - these models are available on requests as projects only. Please consult a Bourns application engineer for the solution that best suits your needs.

| PM0805CM/PM1206CM Series |  |                       |                 |                   |
|--------------------------|--|-----------------------|-----------------|-------------------|
| Part Number              | Common mode Impedance ( $\Omega$ ) $\pm 25\%$ @ 100MHz | DCR ( $\Omega$ ) Max. | $I_{dc}^*$ (mA) | Bourns Equivalent |
| PM0805CM-300-RC          | 30   | 0.20                  | 400             | SRF2012**         |
| PM0805CM-670-RC          | 67   | 0.25                  | 400             |                   |
| PM0805CM-900-RC          | 90   | 0.30                  | 400             |                   |
| PM0805CM-121-RC          | 120  | 0.30                  | 400             |                   |
| PM0805CM-161-RC          | 160  | 0.35                  | 350             |                   |
| PM0805CM-181-RC          | 180  | 0.35                  | 350             |                   |
| PM0805CM-221-RC          | 220  | 0.40                  | 300             |                   |
| PM0805CM-261-RC          | 260  | 0.40                  | 300             |                   |
| PM0805CM-301-RC          | 300  | 0.45                  | 300             |                   |
| PM0805CM-361-RC          | 360  | 0.50                  | 100             |                   |
| PM0805CM-371-RC          | 370  | 0.50                  | 100             | SRF3216**         |
| PM1206CM-900-RC          | 90   | 0.30                  | 370             |                   |
| PM1206CM-161-RC          | 160  | 0.40                  | 340             |                   |
| PM1206CM-221-RC          | 220  | 0.50                  | 310             |                   |
| PM1206CM-601-RC          | 600  | 0.80                  | 260             |                   |
| PM1206CM-102-RC          | 1000   | 1.00                  | 230             |                   |
| PM1206CM-222-RC          | 2200   | 1.20                  | 200             |                   |

Only available as RoHS compliant.

Dimensions: mm, Tolerance:  $\pm 0.2$

| Series   | A   | B   | C   | D   | E    | F    | G    | H   | I   | Reel Size |
|----------|-----|-----|-----|-----|------|------|------|-----|-----|-----------|
| PM0805CM | 2.0 | 1.2 | 1.2 | 0.4 | 0.45 | 1.25 | 0.45 | 2.6 | 1.1 | 2000      |
| PM1206CM | 3.2 | 1.6 | 2.0 | 0.6 | 0.6  | 1.6  | 0.4  | 3.7 | 1.9 | 2000      |



**BOURNS®**

Tel. (877) 426-8767 • Fax (951) 781-5006

www.bourns.com



**BOURNS®**

Tel. (877) 426-8767 • Fax (951) 781-5006

[www.bourns.com](http://www.bourns.com)



# SMT Power Inductors & Transformers

## Special Features

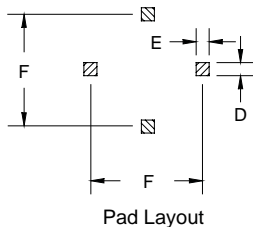
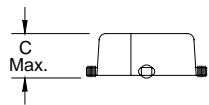
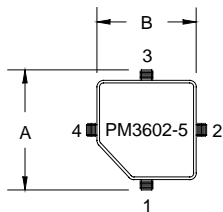
- Multiple applications: parallel, series, dualdiff. mode inductor & 1:1 ratio transformer
- Toroid core design for low radiation
- Low core loss
- High frequency response when used as transformer
- Coil encapsulated from harsh environments
- Dielectric strength 500 Vrms
- Operating temperature -55 to +125 °C
- Parallel & series connection are made externally
- Tape and reel packaged

## Notes

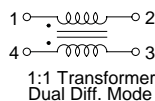
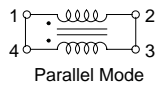
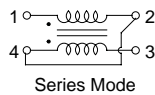
\* Current to cause 35 °C max. temperature rise

| PM3600 Series |              |        |                       |              |              |        |                       |              |
|---------------|--------------|--------|-----------------------|--------------|--------------|--------|-----------------------|--------------|
| Part Number   | Parallel     |        |                       |              | Series       |        |                       |              |
|               | L (μH) ±20 % | I* (A) | L (μH) ±20 % @rated I | DCR (Ω) Max. | L (μH) ±20 % | I* (A) | L (μH) ±20 % @rated I | DCR (Ω) Max. |
| PM3602-5-RC   | 5            | 2.41   | 3.8                   | 0.023        | 20           | 1.20   | 15.2                  | 0.092        |
| PM3602-8-RC   | 8            | 1.90   | 6.1                   | 0.037        | 32           | 0.95   | 23.2                  | 0.15         |
| PM3602-10-RC  | 10           | 1.83   | 7.4                   | 0.040        | 40           | 0.92   | 29.6                  | 0.16         |
| PM3602-15-RC  | 15           | 1.45   | 11.1                  | 0.063        | 60           | 0.73   | 44.4                  | 0.25         |
| PM3602-20-RC  | 20           | 1.25   | 15.2                  | 0.086        | 80           | 0.63   | 60.8                  | 0.34         |
| PM3602-25-RC  | 25           | 1.17   | 18.5                  | 0.098        | 100          | 0.59   | 74.0                  | 0.39         |
| PM3602-33-RC  | 33           | 0.98   | 24.8                  | 0.14         | 132          | 0.49   | 99.2                  | 0.56         |
| PM3602-50-RC  | 50           | 0.78   | 37.5                  | 0.22         | 200          | 0.38   | 150.0                 | 0.88         |
| PM3602-68     | 68           | 0.72   | 49.6                  | 0.26         | 272          | 0.36   | 198.4                 | 1.04         |
| PM3602-100-RC | 100          | 0.58   | 74.0                  | 0.40         | 400          | 0.29   | 296                   | 1.60         |
| PM3602-150-RC | 150          | 0.47   | 111                   | 0.60         | 600          | 0.24   | 444                   | 2.40         |
| PM3602-200-RC | 200          | 0.40   | 150                   | 0.84         | 800          | 0.20   | 600                   | 3.36         |
| PM3602-250-RC | 250          | 0.33   | 192.5                 | 1.19         | 1000         | 0.17   | 770                   | 4.76         |
| PM3602-300-RC | 300          | 0.32   | 225                   | 1.31         | 1200         | 0.16   | 900                   | 5.24         |
| PM3604-5-RC   | 5            | 3.30   | 3.8                   | 0.019        | 20           | 1.65   | 15.2                  | 0.076        |
| PM3604-8-RC   | 8            | 3.00   | 5.8                   | 0.024        | 32           | 1.50   | 23.2                  | 0.096        |
| PM3604-10-RC  | 10           | 2.70   | 7.3                   | 0.028        | 40           | 1.35   | 29.2                  | 0.11         |
| PM3604-15-RC  | 15           | 2.20   | 11.0                  | 0.041        | 60           | 1.10   | 44.0                  | 0.16         |
| PM3604-20-RC  | 20           | 2.02   | 14.2                  | 0.049        | 80           | 1.01   | 56.8                  | 0.20         |
| PM3604-25-RC  | 25           | 1.91   | 17.0                  | 0.054        | 100          | 0.96   | 68.0                  | 0.22         |
| PM3604-33-RC  | 33           | 1.60   | 23.1                  | 0.078        | 132          | 0.80   | 92.4                  | 0.31         |
| PM3604-50-RC  | 50           | 1.28   | 35.5                  | 0.12         | 200          | 0.64   | 142                   | 0.48         |
| PM3604-68-RC  | 68           | 1.19   | 46.2                  | 0.14         | 272          | 0.60   | 184.8                 | 0.56         |
| PM3604-100-RC | 100          | 0.98   | 68.0                  | 0.21         | 400          | 0.49   | 272                   | 0.84         |
| PM3604-150-RC | 150          | 0.78   | 103.5                 | 0.32         | 600          | 0.39   | 414                   | 1.28         |
| PM3604-200-RC | 200          | 0.65   | 140                   | 0.47         | 800          | 0.33   | 560                   | 1.88         |
| PM3604-250-RC | 250          | 0.60   | 172.5                 | 0.53         | 1000         | 0.30   | 690                   | 2.12         |
| PM3604-300-RC | 300          | 0.52   | 213                   | 0.73         | 1200         | 0.26   | 852                   | 2.92         |

Only available as RoHS compliant.



Dimensions: Inches



| Series Number | A     | B     | C     | D    | E    | F     | Reel Size |
|---------------|-------|-------|-------|------|------|-------|-----------|
| PM3602        | 0.452 | 0.354 | 0.225 | 0.10 | 0.10 | 0.385 | 700       |
| PM3604        | 0.550 | 0.452 | 0.265 | 0.16 | 0.10 | 0.500 | 400       |

**BOURNS®**

Tel. (877) 426-8767 • Fax (951) 781-5006

www.bourns.com



**BOURNS®**

Tel. (877) 426-8767 • Fax (951) 781-5006

[www.bourns.com](http://www.bourns.com)

# SMT Power Inductors

## Special Features

- High current capacity
- Ferrite bobbin core
- Low core loss for high frequency power applications
- Compact size
- Large terminal surface for excellent PCB bonding
- Operating temperature -30 to +100 °C
- Tape & reel packaged 800/reel

## Typical Applications

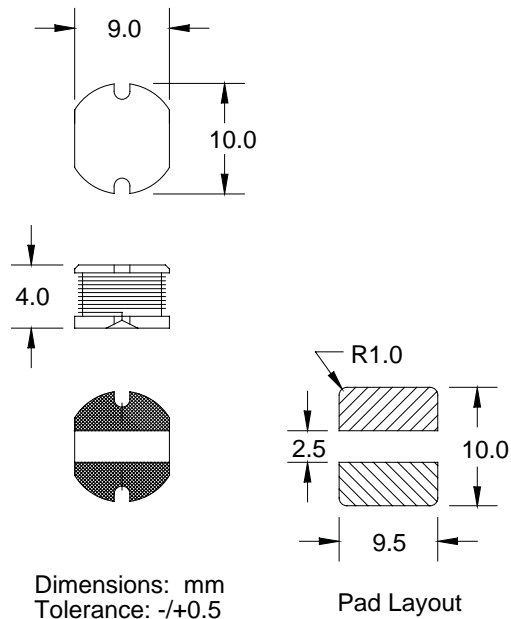
- Notebook computers
- Battery chargers
- DC/DC converters
- Network cards
- Switching boards
- Industrial electronics
- Entertainment electronics devices

## Notes

- \* Current to cause max. 10 % of inductance drop, or 40 °C temperature rise

| PM104 Series |                 |            |                 |            |
|--------------|-----------------|------------|-----------------|------------|
| Part Number  | L (μH)<br>±20 % | Test Freq. | DCR (Ω)<br>Max. | I, DC* (A) |
| PM104-100M   | 10              | 2.52MHz    | 0.053           | 2.38       |
| PM104-120M   | 12              | 2.52MHz    | 0.061           | 2.13       |
| PM104-150M   | 15              | 2.52MHz    | 0.070           | 1.87       |
| PM104-180M   | 18              | 2.52MHz    | 0.081           | 1.73       |
| PM104-220M   | 22              | 2.52MHz    | 0.088           | 1.60       |
| PM104-270M   | 27              | 2.52MHz    | 0.100           | 1.44       |
| PM104-330M   | 33              | 2.52MHz    | 0.120           | 1.26       |
| PM104-390M   | 39              | 2.52MHz    | 0.151           | 1.20       |
| ±10 %        |                 |            |                 |            |
| PM104-470K   | 47              | 2.52MHz    | 0.170           | 1.10       |
| PM104-560K   | 56              | 2.52MHz    | 0.199           | 1.01       |
| PM104-680K   | 68              | 2.52MHz    | 0.223           | 0.91       |
| PM104-820K   | 82              | 2.52MHz    | 0.252           | 0.85       |
| PM104-101K   | 100             | 1 KHz      | 0.344           | 0.74       |
| PM104-121K   | 120             | 1 KHz      | 0.396           | 0.69       |
| PM104-151K   | 150             | 1 KHz      | 0.544           | 0.61       |
| PM104-181K   | 180             | 1 KHz      | 0.621           | 0.56       |
| PM104-221K   | 220             | 1 KHz      | 0.721           | 0.53       |
| PM104-271K   | 270             | 1 KHz      | 0.949           | 0.45       |
| PM104-331K   | 330             | 1 KHz      | 1.100           | 0.42       |
| PM104-391K   | 390             | 1 KHz      | 1.245           | 0.38       |
| PM104-471K   | 470             | 1 KHz      | 1.526           | 0.35       |
| PM104-561K   | 560             | 1 KHz      | 1.904           | 0.32       |

For RoHS compliant version, add "-RC" to part number.



# SMT Power Inductors

## Special Features

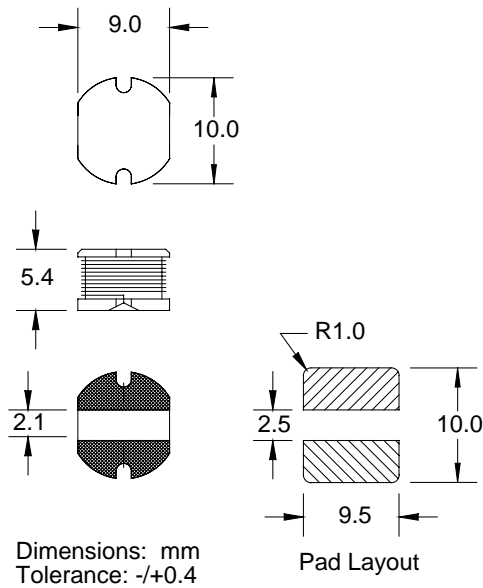
- High current capacity
- Ferrite bobbin core
- Low core loss for high frequency power applications
- Compact size
- Large terminal surface for good PCB bonding
- Operating temperature -30 to +100 °C
- Tape & reel packaged 500/reel

## Notes

- \* Current to cause max. 10 % of inductance drop, or 40 °C temperature rise

| PM105 Series |                 |            |                   |               |            |                   |
|--------------|-----------------|------------|-------------------|---------------|------------|-------------------|
| Part Number  | L (μH)<br>±20 % | Test Freq. | SRF (MHz)<br>Typ. | DCR Ω<br>Max. | I, DC* (A) | Bourns Equivalent |
| PM105-100M   | 10              | 2.52 MHz   | 25                | 0.06          | 2.60       |                   |
| PM105-120M   | 12              | 2.52 MHz   | 23                | 0.07          | 2.45       |                   |
| PM105-150M   | 15              | 2.52 MHz   | 19                | 0.08          | 2.27       |                   |
| PM105-180M   | 18              | 2.52 MHz   | 18                | 0.09          | 2.15       |                   |
| PM105-220M   | 22              | 2.52 MHz   | 15                | 0.10          | 1.96       |                   |
| PM105-270M   | 27              | 2.52 MHz   | 14                | 0.11          | 1.76       |                   |
| PM105-330M   | 33              | 2.52 MHz   | 13                | 0.12          | 1.50       |                   |
| PM105-390M   | 39              | 2.52 MHz   | 12                | 0.14          | 1.37       |                   |
| ±10 %        |                 |            |                   |               |            |                   |
| PM105-470K   | 47              | 2.52 MHz   | 10                | 0.17          | 1.28       |                   |
| PM105-560K   | 56              | 2.52 MHz   | 10                | 0.19          | 1.17       |                   |
| PM105-680K   | 68              | 2.52 MHz   | 9                 | 0.22          | 1.11       |                   |
| PM105-820K   | 82              | 2.52 MHz   | 8                 | 0.25          | 1.00       | SDR1006           |
| PM105-101K   | 100             | 1 KHz      | 7                 | 0.35          | 0.97       |                   |
| PM105-121K   | 120             | 1 KHz      | 6                 | 0.40          | 0.89       |                   |
| PM105-151K   | 150             | 1 KHz      | 5                 | 0.47          | 0.78       |                   |
| PM105-181K   | 180             | 1 KHz      | 5                 | 0.63          | 0.72       |                   |
| PM105-221K   | 220             | 1 KHz      | 5                 | 0.73          | 0.66       |                   |
| PM105-271K   | 270             | 1 KHz      | 4                 | 0.97          | 0.57       |                   |
| PM105-331K   | 330             | 1 KHz      | 4                 | 1.15          | 0.52       |                   |
| PM105-391K   | 390             | 1 KHz      | 3                 | 1.30          | 0.48       |                   |
| PM105-471K   | 470             | 1 KHz      | 3                 | 1.48          | 0.42       |                   |
| PM105-561K   | 560             | 1 KHz      | 3                 | 1.90          | 0.33       |                   |
| PM105-681K   | 680             | 1 KHz      | 2                 | 2.25          | 0.28       |                   |
| PM105-821K   | 820             | 1 KHz      | 2                 | 2.55          | 0.24       |                   |

For RoHS compliant version, add "-RC" to part number.



**BOURNS®**

Tel. (877) 426-8767 • Fax (951) 781-5006

[www.bourns.com](http://www.bourns.com)

# SMT Power Inductors

## Special Features

- Molded construction for high reliability and superior environmental protection
- High resistance to solder heat, moisture
- High current capacity
- Low DCR
- Ferrite core
- Operating temperature -55 to +125 °C
- Test frequency 1 KHz
- Tape & reel packaged 800/reel

## Typical Applications

- EMI filtering
- Laptop computers
- Battery chargers
- DC/DC converters
- Network cards
- Switching boards
- Industrial electronics
- Entertainment electronic devices

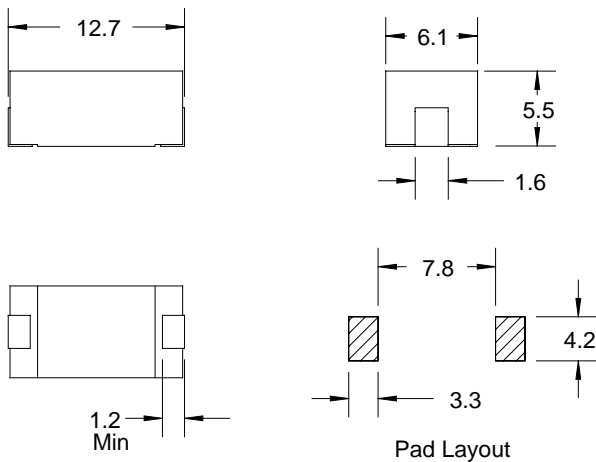
## Notes

\* Saturation current to cause approx. 5 % inductance drop

\*\* Rated current to cause approx. 40 °C temperature rise

| PM1355 Series |                  |                 |                        |                           |
|---------------|------------------|-----------------|------------------------|---------------------------|
| Part Number   | L (μH)<br>± 10 % | DCR (Ω)<br>Max. | I <sub>sat</sub> * (A) | I <sub>rated</sub> ** (A) |
| PM1355-1R0K   | 1.0              | 0.015           | 7.4                    | 5.10                      |
| PM1355-1R2K   | 1.2              | 0.017           | 6.4                    | 4.80                      |
| PM1355-1R5K   | 1.5              | 0.020           | 6.0                    | 4.42                      |
| PM1355-1R8K   | 1.8              | 0.023           | 5.6                    | 4.12                      |
| PM1355-2R2K   | 2.2              | 0.029           | 5.2                    | 3.67                      |
| PM1355-2R7K   | 2.7              | 0.030           | 4.6                    | 3.61                      |
| PM1355-3R3K   | 3.3              | 0.035           | 4.0                    | 3.34                      |
| PM1355-3R9K   | 3.9              | 0.038           | 3.8                    | 3.20                      |
| PM1355-4R7K   | 4.7              | 0.043           | 3.6                    | 3.00                      |
| PM1355-5R6K   | 5.6              | 0.046           | 3.2                    | 2.91                      |
| PM1355-6R8K   | 6.8              | 0.053           | 2.8                    | 2.71                      |
| PM1355-8R2K   | 8.2              | 0.058           | 2.7                    | 2.59                      |
| PM1355-100K   | 10               | 0.071           | 2.4                    | 2.34                      |
| PM1355-120K   | 12               | 0.079           | 2.2                    | 2.22                      |
| PM1355-150K   | 15               | 0.089           | 2.0                    | 2.09                      |
| PM1355-180K   | 18               | 0.109           | 1.8                    | 1.89                      |
| PM1355-220K   | 22               | 0.150           | 1.6                    | 1.61                      |
| PM1355-270K   | 27               | 0.170           | 1.5                    | 1.51                      |
| PM1355-330K   | 33               | 0.222           | 1.4                    | 1.33                      |
| PM1355-390K   | 39               | 0.250           | 1.2                    | 1.25                      |
| PM1355-470K   | 47               | 0.330           | 1.1                    | 1.09                      |
| PM1355-560K   | 56               | 0.370           | 1.0                    | 1.03                      |
| PM1355-680K   | 68               | 0.418           | 0.96                   | 0.996                     |
| PM1355-820K   | 82               | 0.468           | 0.90                   | 0.913                     |
| PM1355-101K   | 100              | 0.620           | 0.80                   | 0.793                     |
| PM1355-121K   | 120              | 0.684           | 0.70                   | 0.755                     |
| PM1355-151K   | 150              | 0.900           | 0.62                   | 0.658                     |
| PM1355-181K   | 180              | 1.04            | 0.56                   | 0.612                     |
| PM1355-221K   | 220              | 1.16            | 0.52                   | 0.580                     |
| PM1355-271K   | 270              | 1.63            | 0.45                   | 0.489                     |
| PM1355-331K   | 330              | 1.82            | 0.41                   | 0.463                     |
| PM1355-391K   | 390              | 2.05            | 0.39                   | 0.436                     |
| PM1355-471K   | 470              | 2.7             | 0.36                   | 0.380                     |
| PM1355-561K   | 560              | 2.8             | 0.33                   | 0.373                     |
| PM1355-681K   | 680              | 4.1             | 0.29                   | 0.308                     |
| PM1355-821K   | 820              | 4.7             | 0.26                   | 0.288                     |
| PM1355-102K   | 1000             | 5.4             | 0.245                  | 0.269                     |
| PM1355-122K   | 1200             | 8.3             | 0.22                   | 0.218                     |
| PM1355-152K   | 1500             | 9.4             | 0.20                   | 0.204                     |
| PM1355-182K   | 1800             | 11.0            | 0.19                   | 0.188                     |
| PM1355-222K   | 2200             | 12.0            | 0.16                   | 0.180                     |
| PM1355-272K   | 2700             | 16.0            | 0.15                   | 0.156                     |
| PM1355-332K   | 3300             | 17.0            | 0.14                   | 0.151                     |
| PM1355-392K   | 3900             | 21.0            | 0.13                   | 0.136                     |
| PM1355-472K   | 4700             | 25.0            | 0.12                   | 0.125                     |
| PM1355-562K   | 5600             | 30.0            | 0.11                   | 0.114                     |
| PM1355-682K   | 6800             | 49.0            | 0.094                  | 0.089                     |
| PM1355-822K   | 8200             | 55.0            | 0.088                  | 0.084                     |
| PM1355-103K   | 10,000           | 62.0            | 0.080                  | 0.079                     |

For RoHS compliant version, add "-RC" to part number.



Dimensions: mm

**BOURNS®**

Tel. (877) 426-8767 • Fax (951) 781-5006

www.bourns.com

# SMT Power Inductors

## Special Features

- High energy storage capacity
- Low DCR
- Ferrite bobbin core
- Low profile, miniature size
- High heat resistance, ideal for reflow soldering
- High reliability
- Test frequency 100 KHz
- Operating temperature -40 to +85 °C
- Tape & reel packaged 750/reel

## Typical Applications

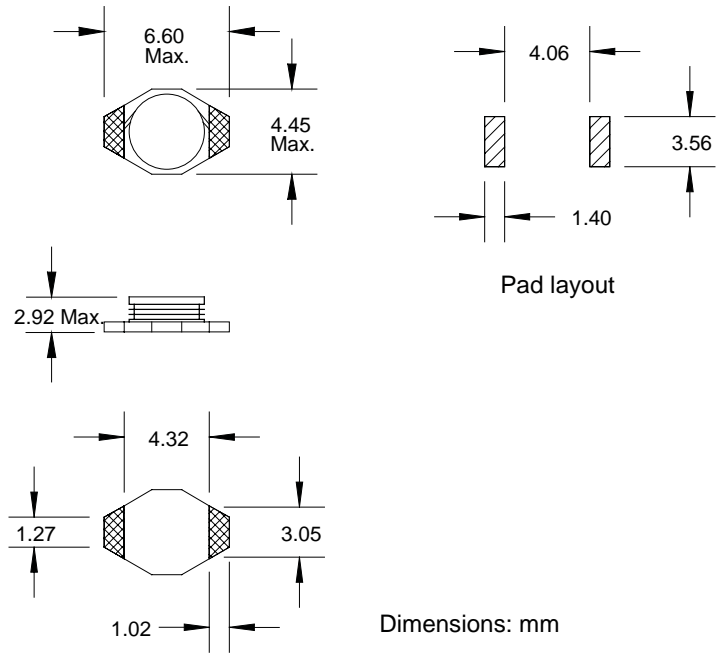
- Small cell phones
- PDAs
- Pagers
- Flash memory programmers
- Notebook computers
- Battery chargers
- DC/DC converters
- Network cards
- Switching boards
- Industrial electronics
- Entertainment electronic devices

## Notes

- \* Saturation current to cause 10 % inductance drop
- \*\* Rms current to cause 15 °C temperature rise
- \*\*\* Closest alternative - these models are available on requests as projects only. Please consult a Bourns application engineer for the solution that best suits your needs.

| PM1608 Series |                 |      |      |                |                 |                   |
|---------------|-----------------|------|------|----------------|-----------------|-------------------|
| Part Number   | L (μH)<br>±20 % | DCR  |      | I, sat*<br>(A) | I, rms**<br>(A) | Bourns Equivalent |
|               |                 | Ω    | Max. |                |                 |                   |
| PM1608-1R0M   | 1.0             | 0.05 |      | 2.90           | 2.90            |                   |
| PM1608-1R5M   | 1.5             | 0.05 |      | 2.60           | 2.80            |                   |
| PM1608-2R2M   | 2.2             | 0.07 |      | 2.30           | 2.40            |                   |
| PM1608-3R3M   | 3.3             | 0.08 |      | 2.00           | 2.00            |                   |
| PM1608-4R7M   | 4.7             | 0.09 |      | 1.50           | 1.50            |                   |
| PM1608-6R8M   | 6.8             | 0.13 |      | 1.20           | 1.40            |                   |
| PM1608-100M   | 10              | 0.16 |      | 1.10           | 1.10            |                   |
| PM1608-150M   | 15              | 0.23 |      | 0.90           | 1.20            |                   |
| PM1608-220M   | 22              | 0.37 |      | 0.70           | 0.80            |                   |
| PM1608-330M   | 33              | 0.51 |      | 0.58           | 0.60            | SDR6603***        |
| PM1608-470M   | 47              | 0.64 |      | 0.50           | 0.50            |                   |
| PM1608-680M   | 68              | 0.86 |      | 0.40           | 0.40            |                   |
| PM1608-101M   | 100             | 1.27 |      | 0.31           | 0.30            |                   |
| PM1608-151M   | 150             | 2.00 |      | 0.27           | 0.25            |                   |
| PM1608-221M   | 220             | 2.65 |      | 0.22           | 0.20            |                   |
| PM1608-331M   | 330             | 3.80 |      | 0.18           | 0.16            |                   |
| PM1608-471M   | 470             | 5.06 |      | 0.16           | 0.15            |                   |
| PM1608-681M   | 680             | 9.20 |      | 0.14           | 0.12            |                   |
| PM1608-102M   | 1000            | 13.8 |      | 0.10           | 0.07            |                   |

For RoHS compliant version, add "-RC" to part number.



**BOURNS®**

Tel. (877) 426-8767 • Fax (951) 781-5006

www.bourns.com

# SMT Power Inductors

## Special Features

- High current capacity
- Ferrite bobbin core
- Low core loss for high frequency power applications
- Compact size
- Large terminal surface for excellent PCB bonding
- Operating temperature -30 to +100 °C
- Tape & reel packaged 3000/reel

## Typical Applications

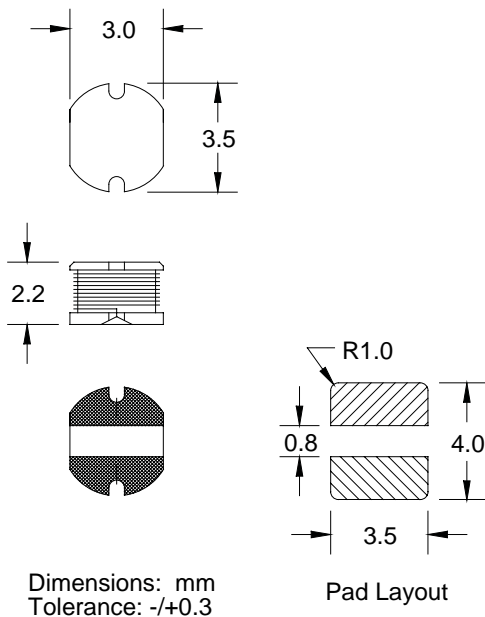
- Notebook computers
- Battery chargers
- DC/DC converters
- Network cards
- Switching boards
- Industrial electronics
- Entertainment electronics devices

## Notes

- \* Current to cause max. 10 % of inductance drop, or 40 °C temperature rise

| PM32 Series |                 |            |                 |            |                   |
|-------------|-----------------|------------|-----------------|------------|-------------------|
| Part Number | L (μH)<br>±20 % | Test Freq. | DCR (Ω)<br>Max. | I, DC* (A) | Bourns Equivalent |
| PM32-1R0M   | 1.0             | 7.96MHz    | 0.040           | 1.50       |                   |
| PM32-1R4M   | 1.4             | 7.96MHz    | 0.050           | 1.50       |                   |
| PM32-1R8M   | 1.8             | 7.96MHz    | 0.060           | 0.80       |                   |
| PM32-2R2M   | 2.2             | 7.96MHz    | 0.080           | 0.75       |                   |
| PM32-2R7M   | 2.7             | 7.96MHz    | 0.10            | 0.75       |                   |
| PM32-3R3M   | 3.3             | 7.96MHz    | 0.15            | 0.60       |                   |
| PM32-3R9M   | 3.9             | 7.96MHz    | 0.20            | 0.50       |                   |
| PM32-4R7M   | 4.7             | 7.96MHz    | 0.20            | 0.50       |                   |
| PM32-5R6M   | 5.6             | 7.96MHz    | 0.23            | 0.45       |                   |
| PM32-6R8M   | 6.8             | 7.96MHz    | 0.25            | 0.40       |                   |
| PM32-8R2M   | 8.2             | 7.96MHz    | 0.30            | 0.40       |                   |
| PM32-100M   | 10              | 2.52MHz    | 0.35            | 0.35       |                   |
| PM32-120M   | 12              | 2.52MHz    | 0.40            | 0.35       |                   |
| PM32-150M   | 15              | 2.52MHz    | 0.50            | 0.30       |                   |
| PM32-180M   | 18              | 2.52MHz    | 0.55            | 0.30       |                   |
| PM32-220M   | 22              | 2.52MHz    | 0.60            | 0.30       |                   |
| PM32-270M   | 27              | 2.52MHz    | 0.70            | 0.30       | SDR0302           |
| PM32-330M   | 33              | 2.52MHz    | 1.00            | 0.25       |                   |
| PM32-390M   | 39              | 2.52MHz    | 1.20            | 0.25       |                   |
| PM32-470M   | 47              | 2.52MHz    | 1.50            | 0.20       |                   |
| PM32-560M   | 56              | 2.52MHz    | 1.80            | 0.20       |                   |
| PM32-680M   | 68              | 2.52MHz    | 2.00            | 0.18       |                   |
| PM32-820M   | 82              | 2.52MHz    | 2.50            | 0.16       |                   |
| PM32-101M   | 100             | 1 KHz      | 3.00            | 0.15       |                   |
| PM32-121M   | 120             | 1 KHz      | 3.50            | 0.14       |                   |
| PM32-151M   | 150             | 1 KHz      | 4.00            | 0.13       |                   |
| PM32-181M   | 180             | 1 KHz      | 5.00            | 0.12       |                   |
| PM32-221M   | 220             | 1 KHz      | 5.50            | 0.10       |                   |
| PM32-271M   | 270             | 1 KHz      | 6.00            | 0.10       |                   |
| PM32-331M   | 330             | 1 KHz      | 7.00            | 0.10       |                   |
| PM32-391M   | 390             | 1 KHz      | 8.00            | 0.10       |                   |
| PM32-471M   | 470             | 1 KHz      | 12.0            | 0.09       |                   |

For RoHS compliant version, add "-RC" to part number.



**BOURNS®**

Tel. (877) 426-8767 • Fax (951) 781-5006

www.bourns.com

# SMT Power Inductors

## Special Features

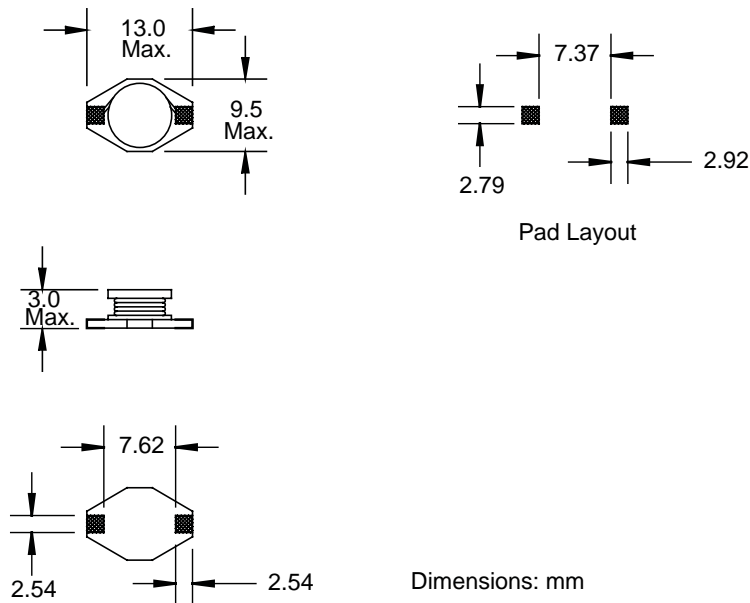
- High current capacity
- High reliability
- Low DCR
- Ferrite bobbin core
- Low profile, compact size
- High heat resistance, ideal for reflow soldering
- Test frequency 100 KHz
- Operating temperature -55 to +105 °C
- Tape & reel packaged 1000/reel

## Notes

- \* Saturation DC current to cause 10 % max. inductance drop
- \*\* Rms current to cause 30 °C max. temperature rise

| PM3308 Series |                 |                 |                        |                         |
|---------------|-----------------|-----------------|------------------------|-------------------------|
| Part Number   | L (μH)<br>±20 % | DCR (Ω)<br>Max. | I <sub>sat</sub> * (A) | I <sub>rms</sub> ** (A) |
| PM3308-100M   | 10              | 0.11            | 2.4                    | 2.0                     |
| PM3308-150M   | 15              | 0.15            | 2.0                    | 1.5                     |
| PM3308-220M   | 22              | 0.23            | 1.6                    | 1.3                     |
| PM3308-330M   | 33              | 0.30            | 1.4                    | 1.1                     |
| PM3308-470M   | 47              | 0.39            | 1.0                    | 0.8                     |
| PM3308-680M   | 68              | 0.66            | 0.9                    | 0.7                     |
| PM3308-101M   | 100             | 0.84            | 0.7                    | 0.6                     |
| PM3308-151M   | 150             | 1.2             | 0.6                    | 0.5                     |
| PM3308-221M   | 220             | 1.9             | 0.5                    | 0.4                     |
| PM3308-331M   | 330             | 2.7             | 0.4                    | 0.3                     |
| PM3308-471M   | 470             | 4.0             | 0.3                    | 0.2                     |
| PM3308-681M   | 680             | 5.3             | 0.2                    | 0.1                     |
| PM3308-102M   | 1000            | 8.4             | 0.1                    | 0.05                    |

For RoHS compliant version, add "-RC" to part number.





# SMT Power Inductors

## Special Features

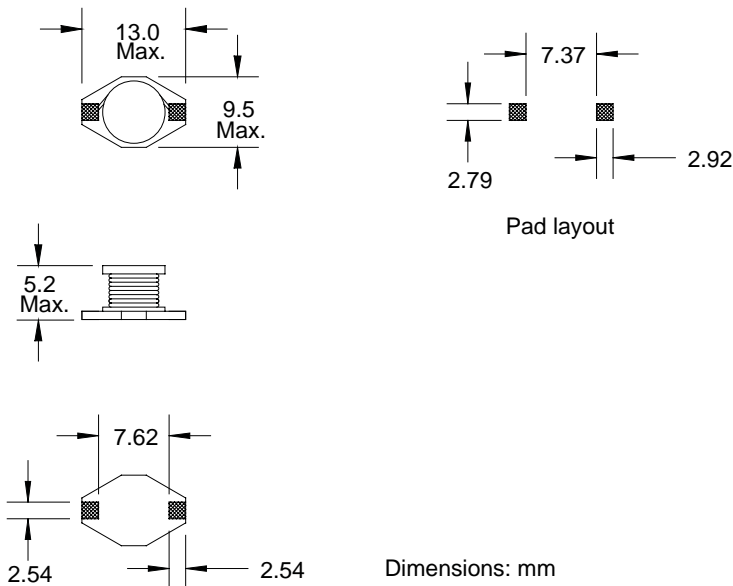
- High current capacity
- High reliability
- Low DCR
- Ferrite bobbin core
- Compact size
- High heat resistance, ideal for reflow soldering
- Test frequency 100 KHz
- Operating temperature -55 to +105 °C
- Tape & reel packaged 500/reel

## Notes

- \* Saturation DC current to cause 10 % max. inductance drop
- \*\* Rms current to cause 15 °C max. temperature rise

| PM3316 Series  |                 |         |      |              |              |                   |
|----------------|-----------------|---------|------|--------------|--------------|-------------------|
| Part Number    | L (μH)<br>±20 % | DCR (Ω) |      | I, sat.* (A) | I, rms** (A) | Bourns Equivalent |
|                |                 |         | Max. |              |              |                   |
| PM3316-1R0M-RC | 1.0             | 0.009   |      | 9.0          | 6.8          | SDR1005           |
| PM3316-1R5M-RC | 1.5             | 0.010   |      | 8.0          | 6.4          |                   |
| PM3316-2R2M-RC | 2.2             | 0.012   |      | 7.0          | 6.1          |                   |
| PM3316-3R3M-RC | 3.3             | 0.015   |      | 6.4          | 5.4          |                   |
| PM3316-4R7M-RC | 4.7             | 0.018   |      | 5.4          | 4.8          |                   |
| PM3316-6R8M-RC | 6.8             | 0.027   |      | 4.6          | 4.4          |                   |
| PM3316-100M-RC | 10              | 0.038   |      | 3.8          | 3.9          |                   |
| PM3316-150M-RC | 15              | 0.046   |      | 3.0          | 3.1          |                   |
| PM3316-220M-RC | 22              | 0.085   |      | 2.6          | 2.7          |                   |
| PM3316-330M-RC | 33              | 0.10    |      | 2.0          | 2.1          |                   |
| PM3316-470M-RC | 47              | 0.14    |      | 1.6          | 1.8          |                   |
| PM3316-680M-RC | 68              | 0.20    |      | 1.4          | 1.5          |                   |
| PM3316-101M-RC | 100             | 0.28    |      | 1.2          | 1.3          |                   |
| PM3316-151M-RC | 150             | 0.40    |      | 1.0          | 1.0          |                   |
| PM3316-221M-RC | 220             | 0.61    |      | 0.8          | 0.8          |                   |
| PM3316-331M-RC | 330             | 1.02    |      | 0.6          | 0.6          |                   |
| PM3316-471M-RC | 470             | 1.27    |      | 0.5          | 0.5          |                   |
| PM3316-681M-RC | 680             | 2.02    |      | 0.4          | 0.4          |                   |
| PM3316-102M-RC | 1000            | 3.00    |      | 0.3          | 0.3          |                   |

Only available as RoHS compliant.



**BOURNS®**

Tel. (877) 426-8767 • Fax (951) 781-5006

[www.bourns.com](http://www.bourns.com)

# SMT Power Inductors

## Special Features

- Very high current capacity
- High reliability
- Low DCR
- Ferrite bobbin core
- Compact size
- Test frequency 100 KHz
- Operating temperature -40 to +85 °C
- Tape & reel packaged 500/reel

## Typical Applications

- High current, low voltage converters
- High-speed computers
- Video game machines
- Output chokes
- EMI filters

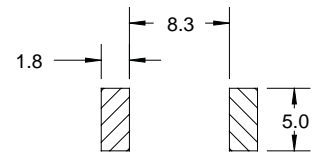
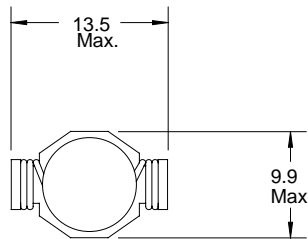
## Notes

\* Saturation current to cause 10 % inductance drop

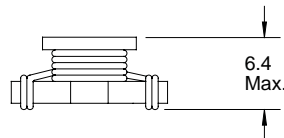
\*\* Rms current to cause 40 °C temperature rise

| PM3316H Series |        |         |              |              |
|----------------|--------|---------|--------------|--------------|
| Part Number    | L (μH) | DCR (Ω) | I, sat.* (A) | I, rms** (A) |
|                | ±20 %  | Max.    |              |              |
| PM3316H-R33M   | 0.33   | 0.002   | 20           | 16           |
| PM3316H-R68M   | 0.68   | 0.005   | 13           | 12           |
| PM3316H-1R0M   | 1.0 0. | 006     | 11           | 10           |
| PM3316H-1R5M   | 1.5 0. | 008     | 9            | 9            |
| PM3316H-2R2M   | 2.2 0. | 011     | 7.8          | 7.4          |
| PM3316H-2R7M   | 2.7    | 0.012   | 7            | 6.6          |
| PM3316H-3R3M   | 3.3    | 0.014   | 6.4          | 5.9          |
| PM3316H-4R7M   | 4.7    | 0.018   | 5.4          | 4.8          |

For RoHS compliant version, add "-RC" to part number.



Pad Layout



Dimensions: mm

# SMT Power Inductors

## Special Features

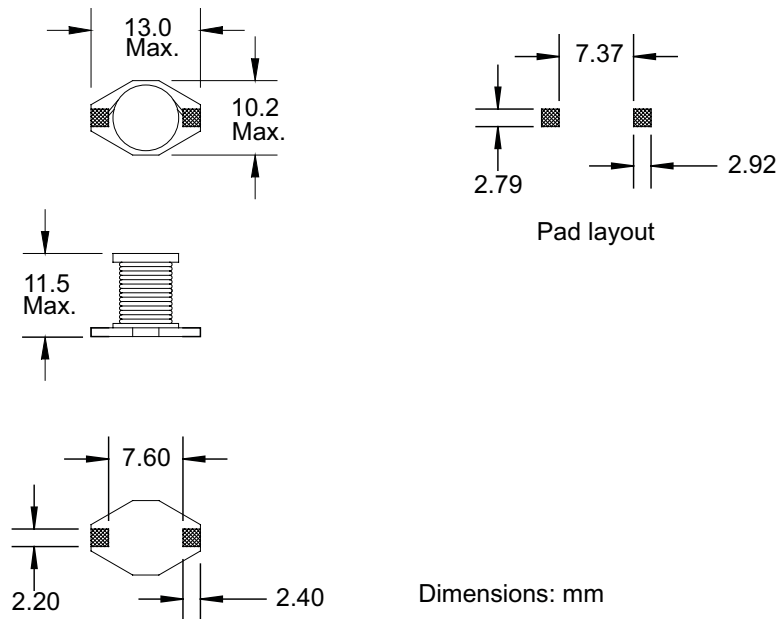
- High current capacity
- High reliability
- Low DCR
- Ferrite bobbin core
- High heat resistance, ideal for reflow soldering
- Test frequency 100 KHz
- Operating temperature -55 to +105 °C
- Tape & reel packaged 225/reel

## Notes

- \* Saturation DC current to cause 10 % max. inductance drop
- \*\* Rms current to cause 20 °C max. temperature rise

| PM3340 Series |                 |                 |                 |                 |
|---------------|-----------------|-----------------|-----------------|-----------------|
| Part Number   | L (μH)<br>±20 % | DCR (Ω)<br>Max. | I, sat.*<br>(A) | I, rms**<br>(A) |
| PM3340-100M   | 10              | 0.033           | 8.0             | 3.5             |
| PM3340-150M   | 15              | 0.042           | 7.0             | 3.0             |
| PM3340-220M   | 22              | 0.054           | 5.5             | 2.5             |
| PM3340-330M   | 33              | 0.08            | 4.0             | 2.0             |
| PM3340-470M   | 47              | 0.1             | 3.8             | 1.6             |
| PM3340-680M   | 68              | 0.17            | 3.0             | 1.2             |
| PM3340-101M   | 100             | 0.22            | 2.5             | 1.2             |
| PM3340-151M   | 150             | 0.34            | 2.0             | 0.9             |
| PM3340-221M   | 220             | 0.44            | 1.6             | 0.7             |
| PM3340-331M   | 330             | 0.7             | 1.2             | 0.6             |
| PM3340-471M   | 470             | 0.95            | 1.0             | 0.3             |
| PM3340-681M   | 680             | 1.2             | 1.0             | 0.2             |
| PM3340-102M   | 1000            | 2.0             | 0.8             | 0.1             |

For RoHS compliant version, add "-RC" to part number.



# SMT Power Inductors

## Special Features

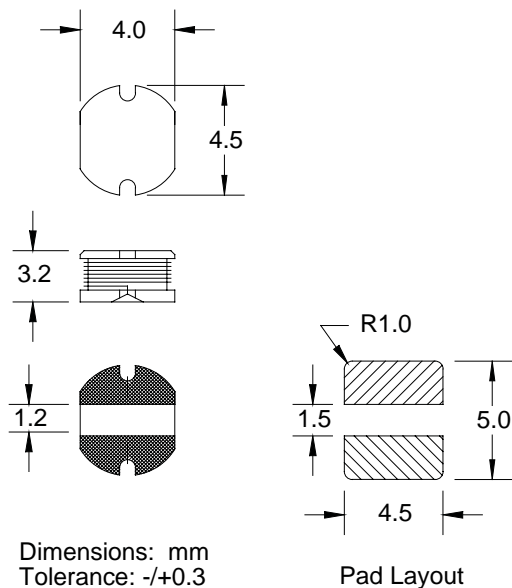
- High current capacity
- Ferrite bobbin core
- Low core loss for high frequency power applications
- Low profile
- Compact size
- Large terminal surface for good PCB bonding
- Operating temperature -40 to +100 °C
- Tape & reel packaged 1500/reel

## Notes

- \* Current to cause max. 10 % of inductance drop or 40 °C temperature rise

| PM43 Series |                 |                     |                      |                  |               |                   |
|-------------|-----------------|---------------------|----------------------|------------------|---------------|-------------------|
| Part Number | L (μH)<br>±20 % | Test Freq.<br>(MHz) | SRF<br>(MHz)<br>Typ. | DCR<br>Ω<br>Max. | I, DC*<br>(A) | Bourns Equivalent |
| PM43-1R0M   | 1.0             | 7.96                | 113                  | 0.049            | 2.56          |                   |
| PM43-1R4M   | 1.4             | 7.96                | 101                  | 0.057            | 2.52          |                   |
| PM43-1R8M   | 1.8             | 7.96                | 92                   | 0.064            | 1.95          |                   |
| PM43-2R2M   | 2.2             | 7.96                | 76                   | 0.072            | 1.75          |                   |
| PM43-2R7M   | 2.7             | 7.96                | 66                   | 0.079            | 1.58          |                   |
| PM43-3R3M   | 3.3             | 7.96                | 63                   | 0.087            | 1.44          |                   |
| PM43-3R9M   | 3.9             | 7.96                | 53                   | 0.094            | 1.33          |                   |
| PM43-4R7M   | 4.7             | 7.96                | 49                   | 0.109            | 1.15          |                   |
| PM43-5R6M   | 5.6             | 7.96                | 43                   | 0.126            | 0.99          |                   |
| PM43-6R8M   | 6.8             | 7.96                | 41                   | 0.132            | 0.95          |                   |
| PM43-8R2M   | 8.2             | 7.96                | 35                   | 0.147            | 0.84          |                   |
| PM43-100M   | 10              | 2.52                | 35                   | 0.182            | 1.04          | SDR0403           |
| PM43-120M   | 12              | 2.52                | 32                   | 0.210            | 0.97          |                   |
| PM43-150M   | 15              | 2.52                | 29                   | 0.235            | 0.85          |                   |
| PM43-180M   | 18              | 2.52                | 27                   | 0.338            | 0.74          |                   |
| PM43-220M   | 22              | 2.52                | 24                   | 0.378            | 0.68          |                   |
| PM43-270M   | 27              | 2.52                | 21                   | 0.522            | 0.62          |                   |
|             | ±10 %           |                     |                      |                  |               |                   |
| PM43-330K   | 33              | 2.52                | 19                   | 0.540            | 0.56          |                   |
| PM43-390K   | 39              | 2.52                | 18                   | 0.587            | 0.52          |                   |
| PM43-470K   | 47              | 2.52                | 15                   | 0.844            | 0.44          |                   |
| PM43-560K   | 56              | 2.52                | 14                   | 0.937            | 0.42          |                   |
| PM43-680K   | 68              | 2.52                | 13                   | 1.117            | 0.37          |                   |

For RoHS compliant version, add "-RC" to part number.



**BOURNS®**

Tel. (877) 426-8767 • Fax (951) 781-5006

[www.bourns.com](http://www.bourns.com)

# SMT Power Inductors

## Special Features

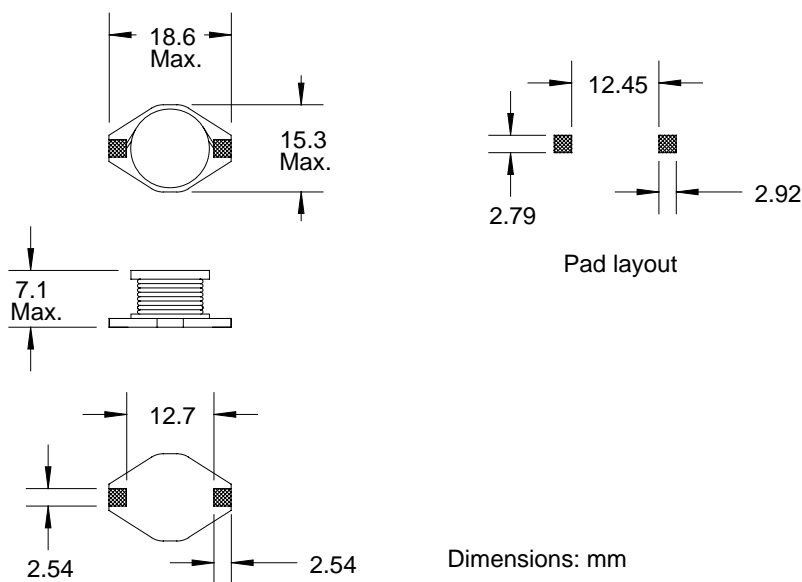
- Very high current capacity
- High reliability
- Low DCR
- Ferrite bobbin core
- Compact size
- High heat resistance, ideal for reflow soldering
- Test frequency 100 KHz
- Operating temperature -55 to +105 °C
- Tape & reel packaged 250/reel

## Notes

- \* Saturation DC current to cause 10 % max. inductance drop
- \*\* Rms current to cause 40 °C max. temperature rise

| PM5022 Series |                 |         |      |              |              |                   |
|---------------|-----------------|---------|------|--------------|--------------|-------------------|
| Part Number   | L (μH)<br>±20 % | DCR (Ω) |      | I, sat.* (A) | I, rms** (A) | Bourns Equivalent |
|               |                 |         | Max. |              |              |                   |
| PM5022-1R0M   | 1.0             | 0.011   |      | 20           | 8.6          | SDR1806           |
| PM5022-2R2M   | 2.2             | 0.014   |      | 16           | 7.1          |                   |
| PM5022-3R3M   | 3.3             | 0.016   |      | 14           | 6.2          |                   |
| PM5022-5R6M   | 5.6             | 0.022   |      | 12           | 5.3          |                   |
| PM5022-100M   | 10              | 0.032   |      | 10           | 4.3          |                   |
| PM5022-150M   | 15              | 0.036   |      | 8            | 4.0          |                   |
| PM5022-220M   | 22              | 0.047   |      | 7            | 3.5          |                   |
| PM5022-330M   | 33              | 0.066   |      | 5.5          | 3.0          |                   |
| PM5022-470M   | 47              | 0.087   |      | 4.5          | 2.6          |                   |
| PM5022-680M   | 68              | 0.13    |      | 3.5          | 2.3          |                   |
| PM5022-101M   | 100             | 0.19    |      | 3.0          | 1.8          |                   |
| PM5022-151M   | 150             | 0.25    |      | 2.6          | 1.5          |                   |
| PM5022-221M   | 220             | 0.38    |      | 2.4          | 1.2          |                   |
| PM5022-331M   | 330             | 0.56    |      | 1.9          | 1.0          |                   |
| PM5022-471M   | 470             | 0.85    |      | 1.4          | 0.82         |                   |
| PM5022-681M   | 680             | 1.2     |      | 1.2          | 0.72         |                   |
| PM5022-102M   | 1000            | 1.8     |      | 1.0          | 0.56         |                   |

For RoHS compliant version, add "-RC" to part number.



**BOURNS®**

Tel. (877) 426-8767 • Fax (951) 781-5006

[www.bourns.com](http://www.bourns.com)

# SMT Power Inductors

## Special Features

- Very high current capacity
- High reliability
- Low DCR
- Ferrite bobbin core
- Compact size
- Test frequency 100 KHz
- Operating temperature -40 to +85 °C
- Saturation current to cause 10 % inductance drop
- Rms current to cause 40 °C temperature rise
- Tape & reel packaged 250/reel

## Typical Applications

- High current, low voltage converters
- High-speed computers
- Video game machines
- Output chokes
- EMI filters

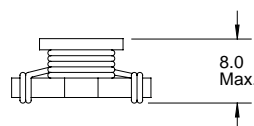
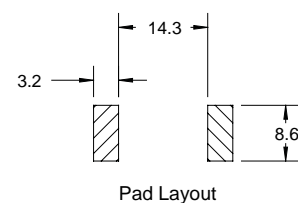
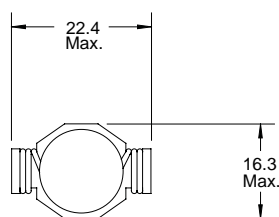
## Notes

\* Saturation current to cause 10 % inductance drop

\*\* Rms current to cause 40 °C temperature rise

| PM5022H Series |                 |             |                 |                 |                   |
|----------------|-----------------|-------------|-----------------|-----------------|-------------------|
| Part Number    | L (μH)<br>±20 % | DCR         | I, sat.*<br>(A) | I, rms**<br>(A) | Bourns Equivalent |
|                |                 | (Ω)<br>Max. |                 |                 |                   |
| PM5022H-R78M   | 0.78            | 0.0026      | 30              | 15              | SDR2207           |
| PM5022H-1R5M   | 1.5             | 0.0040      | 25              | 15              |                   |
| PM5022H-2R2M   | 2.2             | 0.0061      | 20              | 12              |                   |
| PM5022H-3R3M   | 3.3             | 0.0086      | 17              | 10              |                   |
| PM5022H-3R9M   | 3.9             | 0.010       | 15              | 9               |                   |
| PM5022H-4R7M   | 4.7             | 0.014       | 13              | 8.4             |                   |
| PM5022H-6R0M   | 6.0             | 0.017       | 12              | 7.5             |                   |
| PM5022H-7R8M   | 7.8             | 0.018       | 11              | 7.5             |                   |
| PM5022H-100M   | 10              | 0.026       | 10              | 6               |                   |
| PM5022H-150M   | 15              | 0.032       | 8               | 4.4             |                   |

For RoHS compliant version, add "-RC" to part number.



Dimensions: mm

**BOURNS®**

Tel. (877) 426-8767 • Fax (951) 781-5006

[www.bourns.com](http://www.bourns.com)

# SMT Power Inductors

## Special Features

- High current capacity
- Ferrite bobbin core
- Low core loss for high frequency power applications
- Compact size
- Large terminal surface for excellent PCB bonding
- Operating temperature -30 to +100 °C
- Tape & reel packaged 2000/reel

## Typical Applications

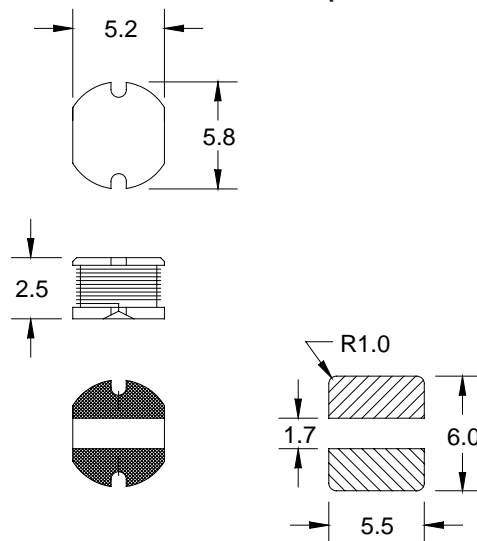
- Notebook computers
- Battery chargers
- DC/DC converters
- Network cards
- Switching boards
- Industrial electronics
- Entertainment electronics devices

## Notes

- \* Current to cause max. 10 % of inductance drop, or 40 °C temperature rise
- \*\* Closest alternative - these models are available on requests as projects only. Please consult a Bourns application engineer for the solution that best suits your needs.

| PM52 Series |                 |            |                 |            |                   |
|-------------|-----------------|------------|-----------------|------------|-------------------|
| Part Number | L (μH)<br>±20 % | Test Freq. | DCR (Ω)<br>Max. | I, DC* (A) | Bourns Equivalent |
| PM52-1R0M   | 1.0             | 7.96MHz    | 0.030           | 1.50       |                   |
| PM52-1R4M   | 1.4             | 7.96MHz    | 0.040           | 1.50       |                   |
| PM52-1R8M   | 1.8             | 7.96MHz    | 0.050           | 1.50       |                   |
| PM52-2R2M   | 2.2             | 7.96MHz    | 0.060           | 1.50       |                   |
| PM52-2R7M   | 2.7             | 7.96MHz    | 0.070           | 1.50       |                   |
| PM52-3R3M   | 3.3             | 7.96MHz    | 0.080           | 1.50       |                   |
| PM52-3R9M   | 3.9             | 7.96MHz    | 0.090           | 1.00       |                   |
| PM52-4R7M   | 4.7             | 7.96MHz    | 0.10            | 1.00       |                   |
| PM52-5R6M   | 5.6             | 7.96MHz    | 0.11            | 1.00       |                   |
| PM52-6R8M   | 6.8             | 7.96MHz    | 0.14            | 0.70       |                   |
| PM52-8R2M   | 8.2             | 7.96MHz    | 0.15            | 0.65       |                   |
| PM52-100M   | 10              | 2.52MHz    | 0.30            | 0.60       |                   |
| PM52-120M   | 12              | 2.52MHz    | 0.35            | 0.60       |                   |
| PM52-150M   | 15              | 2.52MHz    | 0.40            | 0.55       |                   |
| PM52-180M   | 18              | 2.52MHz    | 0.45            | 0.50       |                   |
| PM52-220M   | 22              | 2.52MHz    | 0.50            | 0.50       |                   |
| PM52-270M   | 27              | 2.52MHz    | 0.55            | 0.45       | SDR0603**         |
| PM52-330M   | 33              | 2.52MHz    | 0.60            | 0.40       |                   |
| PM52-390M   | 39              | 2.52MHz    | 0.70            | 0.35       |                   |
| PM52-470M   | 47              | 2.52MHz    | 0.80            | 0.30       |                   |
| PM52-560M   | 56              | 2.52MHz    | 0.90            | 0.25       |                   |
| PM52-680M   | 68              | 2.52MHz    | 1.20            | 0.25       |                   |
| PM52-820M   | 82              | 2.52MHz    | 1.50            | 0.22       |                   |
| PM52-101M   | 100             | 1 KHz      | 2.00            | 0.21       |                   |
| PM52-121M   | 120             | 1 KHz      | 3.00            | 0.20       |                   |
| PM52-151M   | 150             | 1 KHz      | 4.00            | 0.18       |                   |
| PM52-181M   | 180             | 1 KHz      | 4.00            | 0.15       |                   |
| PM52-221M   | 220             | 1 KHz      | 4.50            | 0.15       |                   |
| PM52-271M   | 270             | 1 KHz      | 5.00            | 0.15       |                   |
| PM52-331M   | 330             | 1 KHz      | 6.00            | 0.14       |                   |
| PM52-391M   | 390             | 1 KHz      | 6.50            | 0.14       |                   |
| PM52-471M   | 470             | 1 KHz      | 7.00            | 0.12       |                   |
| PM52-561M   | 560             | 1 KHz      | 8.00            | 0.12       |                   |

For RoHS compliant version, add "-RC" to part number.



Dimensions: mm  
Tolerance: +/-0.35

Pad Layout

**BOURNS®**

Tel. (877) 426-8767 • Fax (951) 781-5006

www.bourns.com

# SMT Power Inductors

## Special Features

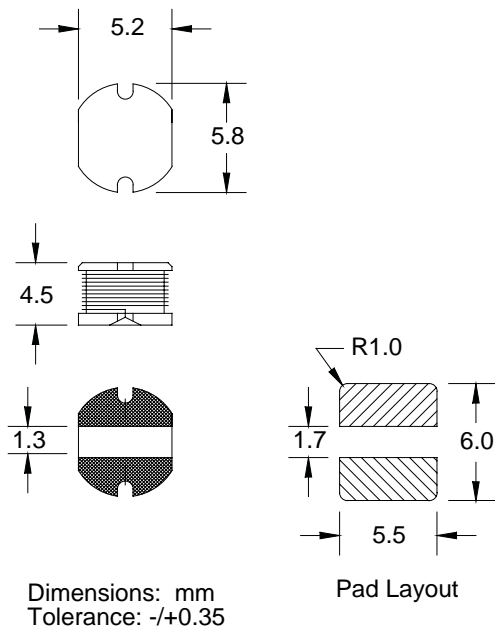
- High current capacity
- Ferrite bobbin core
- Low core loss for high frequency power application
- Compact size
- Large terminal surface for good PCB bonding
- Operating temperature -30 to +100 °C
- Tape & reel packaged 1500/reel

## Notes

- \* Current to cause max. 10 % of inductance drop, or 40 °C temperature rise

| PM54 Series |                 |            |                   |               |            |                   |  |
|-------------|-----------------|------------|-------------------|---------------|------------|-------------------|--|
| Part Number | L (μH)<br>±20 % | Test Freq. | SRF (MHz)<br>Typ. | DCR Ω<br>Max. | I, DC* (A) | Bourns Equivalent |  |
| PM54-100M   | 10              | 2.52 MHz   | 30                | 0.10          | 1.44       | SDR0604           |  |
| PM54-120M   | 12              | 2.52 MHz   | 27                | 0.12          | 1.40       |                   |  |
| PM54-150M   | 15              | 2.52 MHz   | 25                | 0.14          | 1.30       |                   |  |
| PM54-180M   | 18              | 2.52 MHz   | 23                | 0.15          | 1.23       |                   |  |
| PM54-220M   | 22              | 2.52 MHz   | 19                | 0.18          | 1.11       |                   |  |
| PM54-270M   | 27              | 2.52 MHz   | 17                | 0.20          | 0.97       |                   |  |
| ±15 %       |                 |            |                   |               |            |                   |  |
| PM54-330L   | 33              | 2.52 MHz   | 16                | 0.23          | 0.88       |                   |  |
| PM54-390L   | 39              | 2.52 MHz   | 15                | 0.32          | 0.80       |                   |  |
| PM54-470L   | 47              | 2.52 MHz   | 13                | 0.37          | 0.72       |                   |  |
| ±10 %       |                 |            |                   |               |            |                   |  |
| PM54-560K   | 56              | 2.52 MHz   | 12                | 0.42          | 0.68       |                   |  |
| PM54-680K   | 68              | 2.52 MHz   | 11                | 0.46          | 0.61       |                   |  |
| PM54-820K   | 82              | 2.52 MHz   | 10                | 0.60          | 0.58       |                   |  |
| PM54-101K   | 100             | 1 KHz      | 9                 | 0.70          | 0.52       |                   |  |
| PM54-121K   | 120             | 1 KHz      | 8                 | 0.93          | 0.48       |                   |  |
| PM54-151K   | 150             | 1 KHz      | 8                 | 1.10          | 0.40       |                   |  |
| PM54-181K   | 180             | 1 KHz      | 6                 | 1.38          | 0.38       |                   |  |
| PM54-221K   | 220             | 1 KHz      | 5                 | 1.57          | 0.35       |                   |  |

For RoHS compliant version, add "-RC" to part number.



**BOURNS®**

Tel. (877) 426-8767 • Fax (951) 781-5006

[www.bourns.com](http://www.bourns.com)



# SMT Power Inductors

## Special Features

- High current capacity
- Ferrite bobbin core
- Low core loss for high frequency power applications
- Compact size
- Large terminal surface for excellent PCB bonding
- Operating temperature -30 to +100 °C
- Tape & reel packaged 1000/reel

## Typical Applications

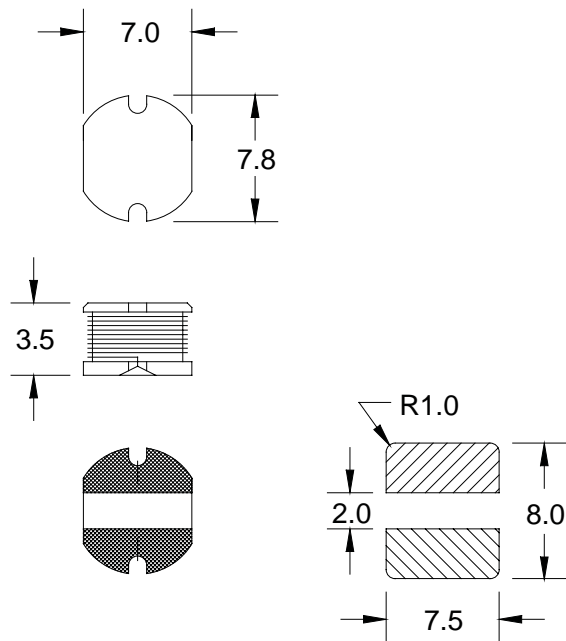
- Notebook computers
- Battery chargers
- DC/DC converters
- Network cards
- Switching boards
- Industrial electronics
- Entertainment electronics devices

## Notes

- \* Current to cause max. 10 % of inductance drop, or 40 °C temperature rise

| PM73 Series |                 |            |                 |            |
|-------------|-----------------|------------|-----------------|------------|
| Part Number | L (μH)<br>±20 % | Test Freq. | DCR (Ω)<br>Max. | I, DC* (A) |
| PM73-100M   | 10              | 2.52MHz    | 0.081           | 1.44       |
| PM73-120M   | 12              | 2.52MHz    | 0.090           | 1.39       |
| PM73-150M   | 15              | 2.52MHz    | 0.104           | 1.24       |
| PM73-180M   | 18              | 2.52MHz    | 0.111           | 1.12       |
| PM73-220M   | 22              | 2.52MHz    | 0.129           | 1.07       |
| PM73-270M   | 27              | 2.52MHz    | 0.153           | 0.94       |
| PM73-330M   | 33              | 2.52MHz    | 0.170           | 0.85       |
| PM73-390M   | 39              | 2.52MHz    | 0.217           | 0.74       |
| PM73-470M   | 47              | 2.52MHz    | 0.252           | 0.68       |
|             | ±10 %           |            |                 |            |
| PM73-560K   | 56              | 2.52MHz    | 0.282           | 0.64       |
| PM73-680K   | 68              | 2.52MHz    | 0.332           | 0.59       |
| PM73-820K   | 82              | 2.52MHz    | 0.406           | 0.54       |
| PM73-101K   | 100             | 1 KHz      | 0.481           | 0.51       |
| PM73-121K   | 120             | 1 KHz      | 0.536           | 0.49       |
| PM73-151K   | 150             | 1 KHz      | 0.755           | 0.40       |
| PM73-181K   | 180             | 1 KHz      | 1.02            | 0.36       |
| PM73-221K   | 220             | 1 KHz      | 1.20            | 0.31       |
| PM73-271K   | 270             | 1 KHz      | 1.31            | 0.29       |
| PM73-331K   | 330             | 1 KHz      | 1.50            | 0.28       |

For RoHS compliant version, add "RC" to part number.



Dimensions: mm  
Tolerance: -/+0.5

Pad Layout

**BOURNS®**

Tel. (877) 426-8767 • Fax (951) 781-5006

www.bourns.com

# SMT Power Inductors

## Special Features

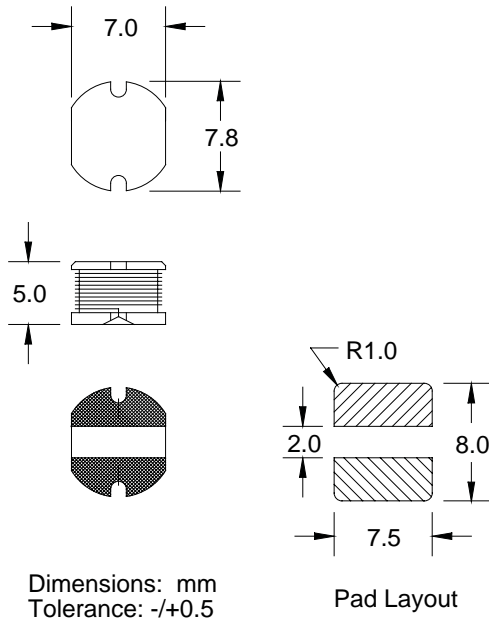
- High current capacity
- Ferrite bobbin core
- Low core loss for high frequency power applications
- Compact size
- Large terminal surface for good PCB bonding
- Operating temperature -30 to +100 °C
- Tape & reel packaged 500/reel

## Notes

- \* Current to cause max. 10 % of inductance drop, or 40 °C temperature rise

| PM75 Series |                 |            |                   |               |            |                   |
|-------------|-----------------|------------|-------------------|---------------|------------|-------------------|
| Part Number | L (μH)<br>±10 % | Test Freq. | SRF (MHz)<br>Typ. | DCR Ω<br>Max. | I, DC* (A) | Bourns Equivalent |
| PM75-100K   | 10              | 2.52 MHz   | 28                | 0.07          | 2.30       |                   |
| PM75-120K   | 12              | 2.52 MHz   | 23                | 0.08          | 2.00       |                   |
| PM75-150K   | 15              | 2.52 MHz   | 22                | 0.09          | 1.80       |                   |
| PM75-180K   | 18              | 2.52 MHz   | 20                | 0.10          | 1.60       |                   |
| PM75-220K   | 22              | 2.52 MHz   | 17                | 0.11          | 1.50       |                   |
| PM75-270K   | 27              | 2.52 MHz   | 15                | 0.12          | 1.30       |                   |
| PM75-330K   | 33              | 2.52 MHz   | 15                | 0.13          | 1.20       |                   |
| PM75-390K   | 39              | 2.52 MHz   | 14                | 0.16          | 1.10       |                   |
| PM75-470K   | 47              | 2.52 MHz   | 13                | 0.18          | 1.10       |                   |
| PM75-560K   | 56              | 2.52 MHz   | 11                | 0.24          | 0.94       |                   |
| PM75-680K   | 68              | 2.52 MHz   | 11                | 0.28          | 0.85       | SDR0805           |
| PM75-820K   | 82              | 2.52 MHz   | 10                | 0.37          | 0.78       |                   |
| PM75-101K   | 100             | 1 KHz      | 9                 | 0.43          | 0.72       |                   |
| PM75-121K   | 120             | 1 KHz      | 7                 | 0.47          | 0.66       |                   |
| PM75-151K   | 150             | 1 KHz      | 6                 | 0.64          | 0.58       |                   |
| PM75-181K   | 180             | 1 KHz      | 5                 | 0.71          | 0.51       |                   |
| PM75-221K   | 220             | 1 KHz      | 5                 | 0.96          | 0.49       |                   |
| PM75-271K   | 270             | 1 KHz      | 4                 | 1.11          | 0.42       |                   |
| PM75-331K   | 330             | 1 KHz      | 4                 | 1.26          | 0.40       |                   |
| PM75-391K   | 390             | 1 KHz      | 4                 | 1.77          | 0.36       |                   |
| PM75-471K   | 470             | 1 KHz      | 3                 | 1.96          | 0.34       |                   |

For RoHS compliant version, add "-RC" to part number.



**BOURNS®**

Tel. (877) 426-8767 • Fax (951) 781-5006

[www.bourns.com](http://www.bourns.com)

# SMT Power Inductors

## Special Features

- Low DCR
- Ferrite toroid core for low radiation
- Low loss
- High operating frequency
- Ultra-low profile and compact size
- Test frequency 100 KHz
- Operating temperature: -40 to +125 °C
- IC style tube packaged 66/tube

## Typical Applications

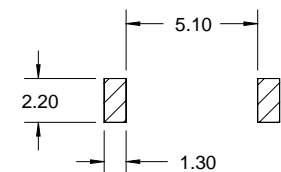
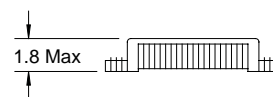
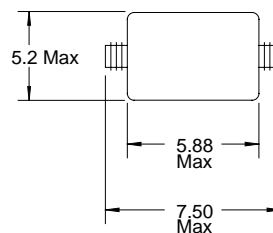
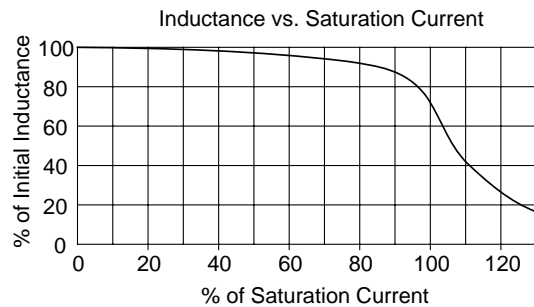
- Small cellular phones
- PDAs
- Pagers
- Hand-held organizers
- GPS
- High frequency wireless communication devices
- Laptop computers
- Network cards
- Cable modems
- Entertainment electronic devices

## Notes

- \* Saturation current to cause approx. 30 % inductance drop
- \*\* Rms current to cause approx. 40 °C temperature rise

| PM7518 Series |                 |                 |                 |                 |
|---------------|-----------------|-----------------|-----------------|-----------------|
| Part Number   | L (μH)<br>±20 % | DCR (Ω)<br>Max. | I, sat.*<br>(A) | I, rms**<br>(A) |
| PM7518-1R0M   | 1.0             | 0.103           | 2.1             | 1.67            |
| PM7518-2R2M   | 2.2             | 0.130           | 1.4             | 1.39            |
| PM7518-4R7M   | 4.7             | 0.180           | 1.0             | 1.18            |
| PM7518-100M   | 10              | 0.240           | 0.68            | 0.98            |
| PM7518-150M   | 15              | 0.300           | 0.54            | 0.88            |
| PM7518-220M   | 22              | 0.360           | 0.45            | 0.80            |
| PM7518-330M   | 33              | 0.556           | 0.37            | 0.64            |
| PM7518-470M   | 47              | 0.833           | 0.31            | 0.52            |

For RoHS compliant version, add "-RC" to part number.



Dimensions: mm

Pad Layout

**BOURNS®**

Tel. (877) 426-8767 • Fax (951) 781-5006

www.bourns.com



**BOURNS®**

Tel. (877) 426-8767 • Fax (951) 781-5006

[www.bourns.com](http://www.bourns.com)

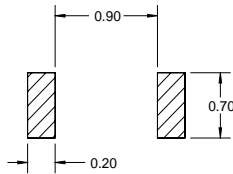
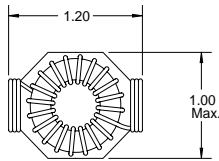
# SMT High Current Toroid Inductors

## Special Features

- DC/DC converter, EMI filter applications
- Low radiation
- Low core loss
- High current capacity
- Ideal for reflow soldering
- Low cost
- Operating temperature -55 to +105 °C

## Notes

\* Current to cause 30 °C max. temperature rise



Pad Layout



Dimensions: Inches

| PM2110 Series |                            |             |                              |                    |                   |
|---------------|----------------------------|-------------|------------------------------|--------------------|-------------------|
| Part Number   | L (μH)<br>@ 1 KHz<br>±20 % | Idc*<br>(A) | L (μH)<br>@ Rated I<br>±20 % | DCR<br>(Ω)<br>Max. | Dim.<br>A<br>Max. |
| PM2110-1R0M   | 1.0                        | 22.7        | 0.8                          | 0.002              | 0.57              |
| PM2110-1R2M   | 1.2                        | 20.3        | 1.0                          | 0.002              | 0.57              |
| PM2110-1R5M   | 1.5                        | 20.3        | 1.2                          | 0.002              | 0.57              |
| PM2110-1R8M   | 1.8                        | 18.5        | 1.4                          | 0.003              | 0.57              |
| PM2110-2R2M   | 2.2                        | 17.2        | 1.7                          | 0.003              | 0.57              |
| PM2110-2R7M   | 2.7                        | 16.0        | 2.0                          | 0.004              | 0.57              |
| PM2110-3R3M   | 3.3                        | 16.0        | 2.5                          | 0.004              | 0.57              |
| PM2110-3R9M   | 3.9                        | 15.1        | 2.8                          | 0.004              | 0.57              |
| PM2110-4R7M   | 4.7                        | 14.4        | 3.4                          | 0.004              | 0.57              |
| PM2110-5R6M   | 5.6                        | 13.7        | 3.9                          | 0.005              | 0.57              |
| PM2110-6R8M   | 6.8                        | 13.1        | 4.6                          | 0.005              | 0.57              |
| PM2110-8R2M   | 8.2                        | 12.6        | 5.5                          | 0.006              | 0.57              |
|               | ±10 %                      |             | ±10 %                        |                    |                   |
| PM2110-100K   | 10                         | 11.7        | 6.5                          | 0.007              | 0.57              |
| PM2110-120K   | 12                         | 11.3        | 7.6                          | 0.007              | 0.57              |
| PM2110-150K   | 15                         | 10.7        | 9.2                          | 0.008              | 0.57              |
| PM2110-180K   | 18                         | 10.2        | 10.7                         | 0.009              | 0.57              |
| PM2110-220K   | 22                         | 9.7         | 12.7                         | 0.010              | 0.57              |
| PM2110-270K   | 27                         | 8.2         | 16.0                         | 0.014              | 0.54              |
| PM2110-330K   | 33                         | 7.0         | 20.1                         | 0.019              | 0.52              |
| PM2110-390K   | 39                         | 6.8         | 23.2                         | 0.020              | 0.62              |
| PM2110-470K   | 47                         | 6.5         | 27.2                         | 0.022              | 0.62              |
| PM2110-560K   | 56                         | 6.2         | 31.6                         | 0.024              | 0.62              |
| PM2110-680K   | 68                         | 5.9         | 37.1                         | 0.027              | 0.62              |
| PM2110-820K   | 82                         | 5.6         | 43.4                         | 0.029              | 0.62              |
| PM2110-101K   | 100                        | 5.4         | 51.4                         | 0.032              | 0.62              |
| PM2110-121K   | 120                        | 5.1         | 59.6                         | 0.035              | 0.62              |
| PM2110-151K   | 150                        | 4.3         | 77.3                         | 0.049              | 0.59              |
| PM2110-181K   | 180                        | 3.7         | 96.3                         | 0.066              | 0.53              |
| PM2110-221K   | 220                        | 3.5         | 113.8                        | 0.074              | 0.60              |
| PM2110-271K   | 270                        | 3.4         | 134.9                        | 0.082              | 0.60              |
| PM2110-331K   | 330                        | 3.2         | 159.5                        | 0.090              | 0.60              |
| PM2110-391K   | 390                        | 3.1         | 182.9                        | 0.098              | 0.60              |
| PM2110-471K   | 470                        | 2.6         | 230.4                        | 0.133              | 0.57              |
| PM2110-561K   | 560                        | 2.5         | 266.0                        | 0.146              | 0.57              |
| PM2110-681K   | 680                        | 2.1         | 337.1                        | 0.202              | 0.54              |
| PM2110-821K   | 820                        | 2.0         | 394.1                        | 0.221              | 0.60              |
| PM2110-102K   | 1000                       | 1.9         | 463.7                        | 0.244              | 0.60              |

For RoHS compliant version, add "-RC" to part number.

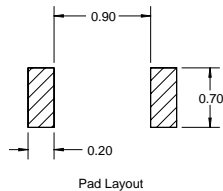
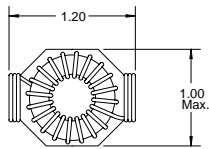
# SMT High Current Toroid Inductors

## Special Features

- DC/DC converter, EMI filter applications
- Low radiation
- Low core loss
- High current capacity
- Ideal for reflow soldering
- Low cost
- Operating temperature -55 to +105 °C

## Notes

\* Current to cause 30 °C max. temperature rise



Dimensions: Inches

| PM2120 Series |                            |             |                              |                    |                   |
|---------------|----------------------------|-------------|------------------------------|--------------------|-------------------|
| Part Number   | L (μH)<br>@ 1 KHz<br>±20 % | Idc*<br>(A) | L (μH)<br>@ Rated I<br>±20 % | DCR<br>(Ω)<br>Max. | Dim.<br>A<br>Max. |
| PM2120-1R0M   | 1.0                        | 25.4        | 0.9                          | 0.002              | 0.82              |
| PM2120-1R2M   | 1.2                        | 25.4        | 1.1                          | 0.002              | 0.82              |
| PM2120-1R5M   | 1.5                        | 22.0        | 1.3                          | 0.003              | 0.82              |
| PM2120-1R8M   | 1.8                        | 22.0        | 1.5                          | 0.003              | 0.82              |
| PM2120-2R2M   | 2.2                        | 19.7        | 1.8                          | 0.003              | 0.82              |
| PM2120-2R7M   | 2.7                        | 19.7        | 2.2                          | 0.003              | 0.82              |
| PM2120-3R3M   | 3.3                        | 18.0        | 2.6                          | 0.004              | 0.82              |
| PM2120-3R9M   | 3.9                        | 18.0        | 3.1                          | 0.004              | 0.82              |
| PM2120-4R7M   | 4.7                        | 16.6        | 3.7                          | 0.005              | 0.82              |
| PM2120-5R6M   | 5.6                        | 15.6        | 4.2                          | 0.005              | 0.82              |
| PM2120-6R8M   | 6.8                        | 14.7        | 5.0                          | 0.006              | 0.82              |
| PM2120-8R2M   | 8.2                        | 14.7        | 6.1                          | 0.006              | 0.82              |
|               | ±10 %                      |             | ±10 %                        |                    |                   |
| PM2120-100K   | 10                         | 13.9        | 7.2                          | 0.007              | 0.82              |
| PM2120-120K   | 12                         | 12.7        | 8.3                          | 0.008              | 0.82              |
| PM2120-150K   | 15                         | 12.2        | 10.2                         | 0.009              | 0.82              |
| PM2120-180K   | 18                         | 11.8        | 12.0                         | 0.009              | 0.82              |
| PM2120-220K   | 22                         | 11.0        | 14.2                         | 0.011              | 0.82              |
| PM2120-270K   | 27                         | 10.4        | 16.9                         | 0.012              | 0.82              |
| PM2120-330K   | 33                         | 10.1        | 20.3                         | 0.013              | 0.82              |
| PM2120-390K   | 39                         | 9.6         | 23.3                         | 0.014              | 0.82              |
| PM2120-470K   | 47                         | 8.2         | 29.2                         | 0.019              | 0.79              |
| PM2120-560K   | 56                         | 7.9         | 33.9                         | 0.021              | 0.79              |
| PM2120-680K   | 68                         | 6.7         | 42.2                         | 0.029              | 0.77              |
| PM2120-820K   | 82                         | 6.4         | 49.5                         | 0.032              | 0.87              |
| PM2120-101K   | 100                        | 6.1         | 58.7                         | 0.035              | 0.87              |
| PM2120-121K   | 120                        | 5.8         | 68.1                         | 0.039              | 0.87              |
| PM2120-151K   | 150                        | 5.5         | 82.5                         | 0.043              | 0.87              |
| PM2120-181K   | 180                        | 5.3         | 96.2                         | 0.047              | 0.83              |
| PM2120-221K   | 220                        | 5.0         | 113.7                        | 0.052              | 0.83              |
| PM2120-271K   | 270                        | 4.2         | 144.5                        | 0.072              | 0.80              |
| PM2120-331K   | 330                        | 3.6         | 183.4                        | 0.100              | 0.78              |
| PM2120-391K   | 390                        | 3.5         | 211.6                        | 0.108              | 0.78              |
| PM2120-471K   | 470                        | 3.3         | 247.1                        | 0.119              | 0.85              |
| PM2120-561K   | 560                        | 3.2         | 285.8                        | 0.130              | 0.85              |
| PM2120-681K   | 680                        | 3.0         | 336.3                        | 0.142              | 0.85              |
| PM2120-821K   | 820                        | 2.9         | 392.5                        | 0.157              | 0.85              |
| PM2120-102K   | 1000                       | 2.5         | 499.7                        | 0.215              | 0.82              |

For RoHS compliant version, add "-RC" to part number.

**BOURNS®**

Tel. (877) 426-8767 • Fax (951) 781-5006

[www.bourns.com](http://www.bourns.com)

# SMT, CCFL Inverter Transformers

## Special Features

- Power rating: 6 watts
- Operating frequency: 60 KHz  $\pm 25\%$
- Operating ambient temperature: 0 to +75 °C
- Storage temperature: -40 to +105 °C
- Dielectric withstanding voltage: 1500 Vrms
- Packaged: Bulk

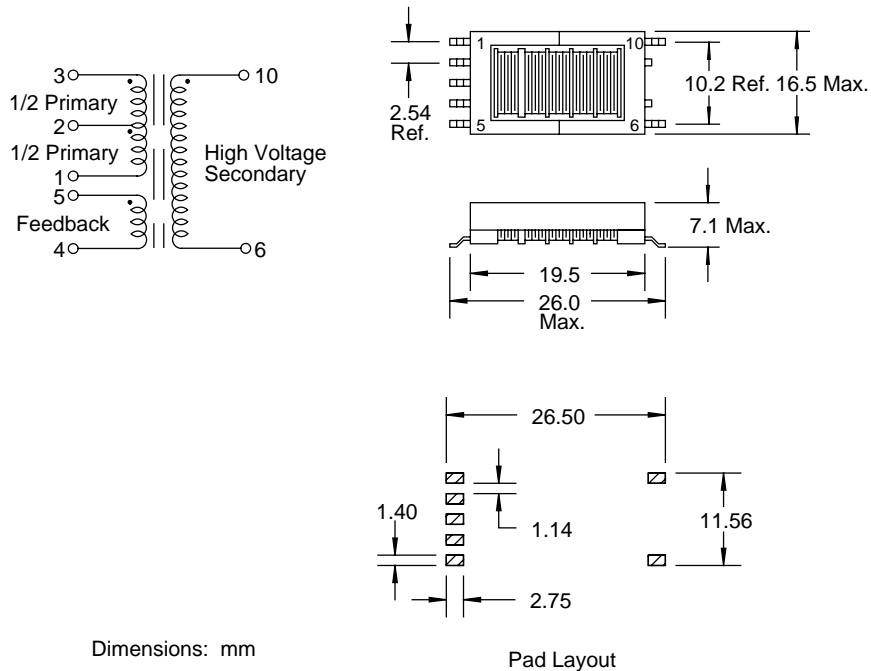
## Typical Applications

- LCD flat panel displays
- Notebook / palmtop computers
- Portable instruments
- Retail terminals

Consult engineering for inverter circuit related inductors selection.

| PM61300 Series |                                  |                   |             |                   |             |                       |             |
|----------------|----------------------------------|-------------------|-------------|-------------------|-------------|-----------------------|-------------|
| Part Number    | Primary                          |                   |             | Secondary         |             |                       | Turns Ratio |
|                | L ( $\mu$ H) $\pm 10\%$ @ 10 KHz | DCR $\Omega$ Max. | Voltage (V) | DCR $\Omega$ Max. | Voltage (V) | I <sub>rms</sub> (mA) |             |
| PM61300-1      | 44                               | 0.61              | 25          | 132               | 1300        | 70                    | 50          |
| PM61300-2      | 44                               | 0.82              | 20          | 175               | 1300        | 70                    | 67          |
| PM61300-3      | 27                               | 1.10              | 15          | 175               | 1300        | 70                    | 86          |
| PM61300-4      | 20                               | 1.88              | 13          | 175               | 1300        | 70                    | 100         |
| PM61300-5      | 20                               | 2.34              | 10.5        | 290               | 1300        | 70                    | 125         |

For RoHS compliant version, add "-RC" to part number.





**BOURNS®**

Tel. (877) 426-8767 • Fax (951) 781-5006

[www.bourns.com](http://www.bourns.com)



## Multi - 6 Pack, Inductors and Transformers

### Special Features

- Six windings offer many inductor or transformer configurations
- High magnetic coupling
- Non-gapped and gapped core construction
- Low core loss at high frequency applications
- Low noise radiation
- Compact size and low profile
- Dielectric strength: 500 Vrms between windings
- Operating temperature: -40 to +105 °C
- Tape & Reel packaging:  
PM600, 600/reel  
PM610, 300/reel  
PM620, 200/reel

### Typical Applications

- Inductors: buck, boost, buck-boost, coupled, input, output, choke, filter, resonant, high-Q, EMI/RFI filtering, differential, forward, common mode
- Transformers: flyback, forward, push-pull, bridge, multiple outputs, inverter, step-up, step-down, gate drive, base drive, signal, wide band, pulse, impedance, isolation, converter

### Notes

\* Saturation current is rated to each winding that causes inductance to drop 30 % from its initial value.

\*\* Rms current is rated to each winding that causes 40 °C temperature rise.

PM600-01, -02, PM610-01, -02 and PM620-01, -02 are non-gap core.

| PM600/PM610/PM620 Series |                  |          |           |            |
|--------------------------|------------------|----------|-----------|------------|
| Part Number              | L (μH) @ 100 KHz | DCR      | Isat* (A) | Irms** (A) |
|                          |                  | (Ω) Max. |           |            |
| PM600-01                 | 201.6 ±30 %      | 0.324    | 0.02      | 0.46       |
| PM600-02                 | 89.6 ±30 %       | 0.137    | 0.03      | 0.71       |
| PM600-03                 | 27.4 ±10 %       | 0.324    | 0.31      | 0.46       |
| PM600-04                 | 12.2 ±10 %       | 0.137    | 0.47      | 0.71       |
| PM600-05                 | 14.7 ±10 %       | 0.324    | 0.58      | 0.46       |
| PM600-06                 | 6.5 ±10 %        | 0.137    | 0.87      | 0.71       |
| PM600-07                 | 10.9 ±10 %       | 0.324    | 0.88      | 0.46       |
| PM600-08                 | 4.9 ±10 %        | 0.137    | 1.32      | 0.71       |
| PM600-09                 | 8.5 ±10 %        | 0.324    | 1.23      | 0.46       |
| PM600-10                 | 3.8 ±10 %        | 0.137    | 1.85      | 0.71       |
| PM610-01                 | 160.0 ±30 %      | 0.202    | 0.04      | 0.68       |
| PM610-02                 | 78.4 ±30 %       | 0.094    | 0.06      | 1.00       |
| PM610-03                 | 21.6 ±10 %       | 0.202    | 0.67      | 0.68       |
| PM610-04                 | 10.6 ±10 %       | 0.094    | 0.96      | 1.00       |
| PM610-05                 | 11.6 ±10 %       | 0.202    | 1.30      | 0.68       |
| PM610-06                 | 5.7 ±10 %        | 0.094    | 1.86      | 1.00       |
| PM610-07                 | 8.3 ±10 %        | 0.202    | 2.00      | 0.68       |
| PM610-08                 | 4.1 ±10 %        | 0.094    | 2.86      | 1.00       |
| PM610-09                 | 6.6 ±10 %        | 0.202    | 2.30      | 0.68       |
| PM610-10                 | 3.2 ±10 %        | 0.094    | 3.29      | 1.00       |
| PM620-01                 | 160.6 ±30 %      | 0.094    | 0.03      | 1.28       |
| PM620-02                 | 77.0 ±30 %       | 0.065    | 0.04      | 1.54       |
| PM620-03                 | 131.8 ±20 %      | 0.094    | 0.08      | 1.28       |
| PM620-04                 | 63.2 ±20 %       | 0.065    | 0.12      | 1.54       |
| PM620-05                 | 23.3 ±10 %       | 0.094    | 0.36      | 1.28       |
| PM620-06                 | 11.2 ±10 %       | 0.065    | 0.52      | 1.54       |
| PM620-07                 | 14.2 ±10 %       | 0.094    | 0.76      | 1.28       |
| PM620-08                 | 6.8 ±10 %        | 0.065    | 1.10      | 1.54       |
| PM620-09                 | 9.3 ±10 %        | 0.094    | 1.11      | 1.28       |
| PM620-10                 | 4.5 ±10 %        | 0.065    | 1.60      | 1.54       |
| PM620-11                 | 7.9 ±10 %        | 0.094    | 1.40      | 1.28       |
| PM620-12                 | 3.8 ±10 %        | 0.065    | 2.02      | 1.54       |

For RoHS compliant version, add "-RC" to part number.

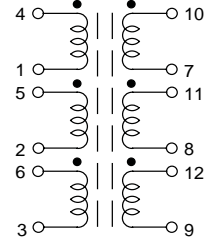
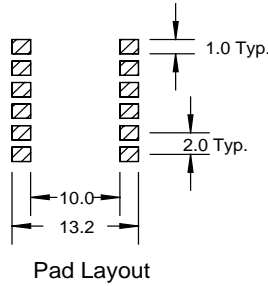
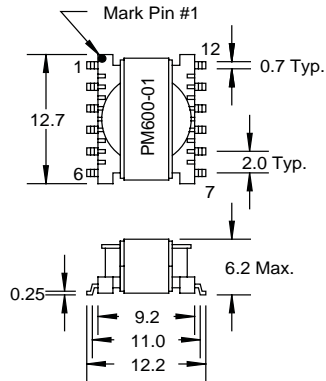
**BOURNS®**

Tel. (877) 426-8767 • Fax (951) 781-5006

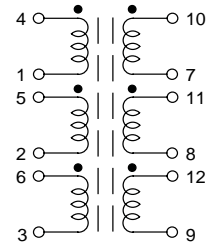
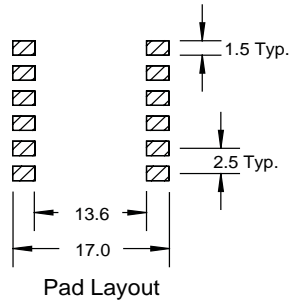
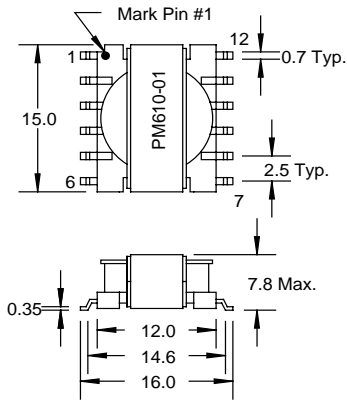
www.bourns.com

# Multi - 6 Pack, Inductors and Transformers

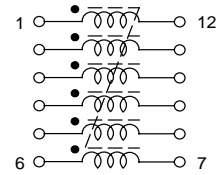
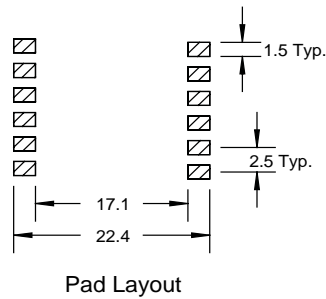
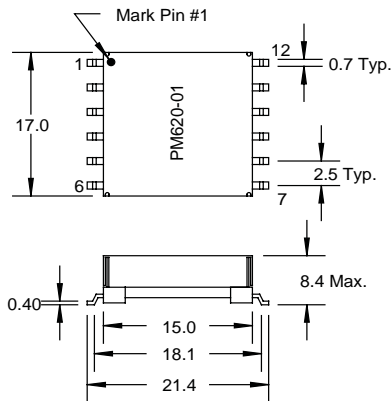
## Dimensions (mm)



PM600 - XX



PM610 - XX

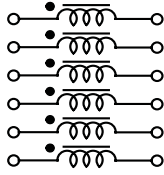


PM620 - XX

# Multi - 6 Pack, Inductors and Transformers

## Typical Configurations

### Inductor:



Basic Diagram  
Inductance:  $L$   
Current:  $I$

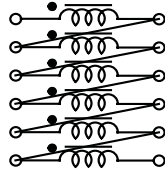


Figure 1  
Inductance:  $36 \times L$   
Current:  $I$

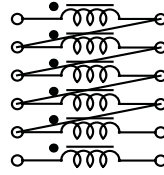


Figure 2  
Inductance:  $25 \times L$   
Current:  $I$

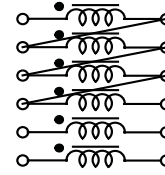


Figure 3  
Inductance:  $16 \times L$   
Current:  $I$

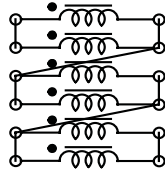


Figure 4  
Inductance:  $9 \times L$   
Current:  $2 \times I$

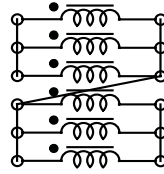


Figure 5  
Inductance:  $4 \times L$   
Current:  $3 \times I$

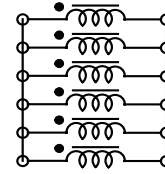
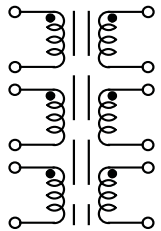


Figure 6  
Inductance:  $L$   
Current:  $6 \times I$

### Transformer:



Basic Diagram  
Turns ratio:  
 $1:1:1:1:1:1$

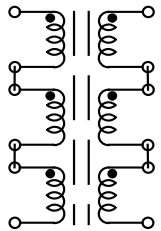


Figure 1  
Turns ratio:  
 $1:1$

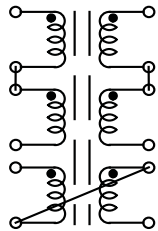


Figure 2  
Turns ratio:  
 $1:1:1$

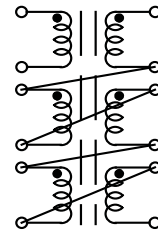


Figure 3  
Turns ratio:  
 $1:5$  or  $5:1$

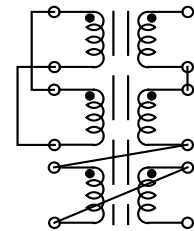


Figure 4  
Turns ratio:  
 $1:4$  or  $4:1$

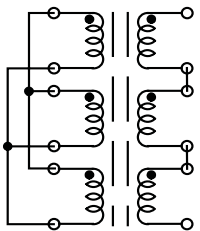


Figure 5  
Turns ratio:  
 $1:3$  or  $3:1$

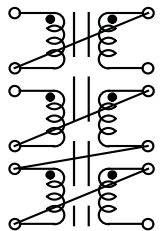


Figure 6  
Turns ratio:  
 $1:2$  or  $2:1$

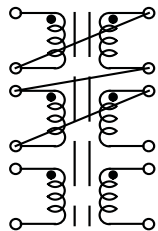


Figure 7  
Turns ratio:  
 $4:1:1$

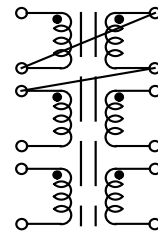


Figure 8  
Turns ratio:  
 $3:1:1:1$

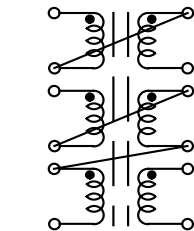


Figure 9  
Turns ratio:  
 $2:3$  or  $3:2$



**BOURNS®**

Tel. (877) 426-8767 • Fax (951) 781-5006

[www.bourns.com](http://www.bourns.com)

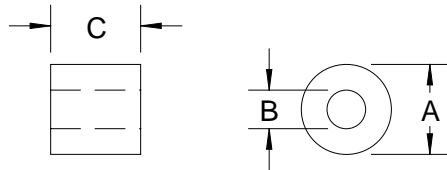
# Ferrite Beads

## Special Features

- Excellent EMI suppression capability at high frequency
- Very low cost
- Higher impedance can be achieved with 2 or more beads in series
- Wider frequency range can be achieved with 2 beads of different material grade in series

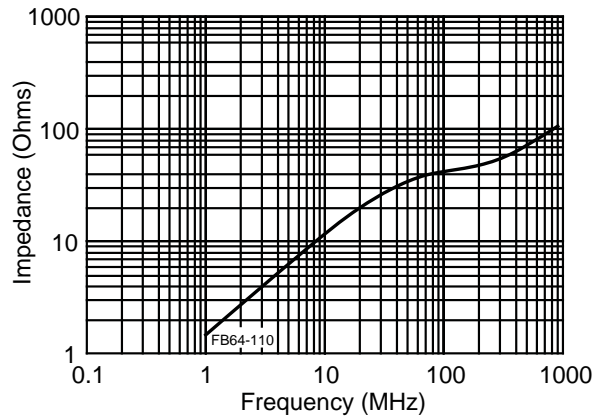
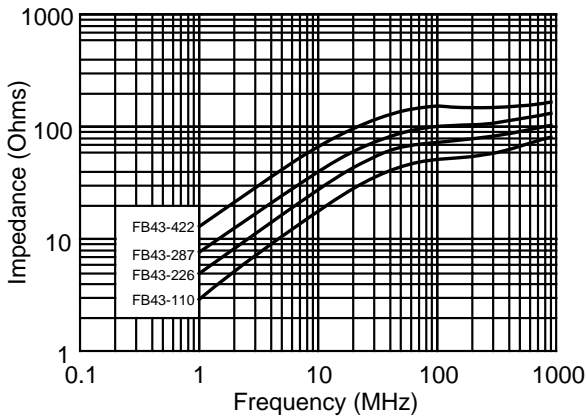
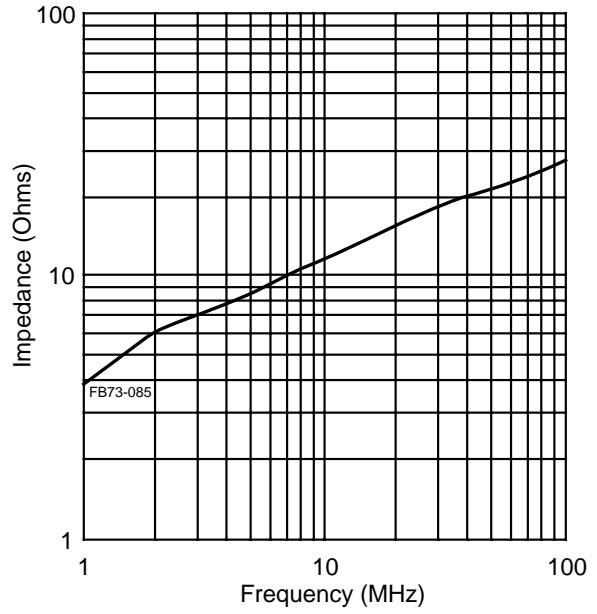
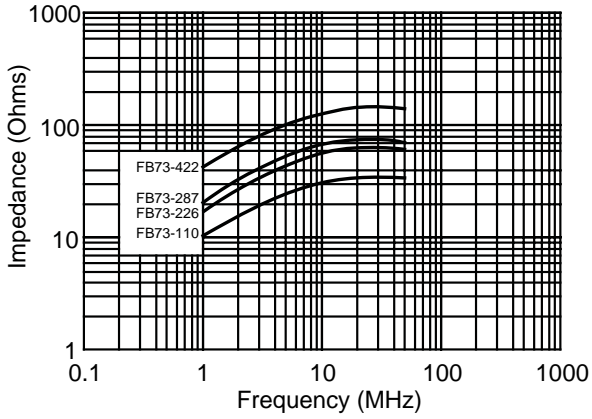
| FB Series   |          |                           |                  |                  |                  |
|-------------|----------|---------------------------|------------------|------------------|------------------|
| Part Number | Material | Suggest Freq. Range (MHz) | Dim. A (min/max) | Dim. B (min/max) | Dim. C (min/max) |
| FB73-085    | 73       | Up to 40                  | 0.052/0.056      | 0.027/0.031      | 0.085/0.095      |
| FB43-226    | 43       | 40 - 200                  | 0.123/0.153      | 0.040/0.060      | 0.221/0.251      |
| FB73-226    | 73       | Up to 40                  | 0.125/0.155      | 0.040/0.060      | 0.221/0.251      |
| FB43-110    | 43       | 40 - 200                  | 0.125/0.155      | 0.040/0.060      | 0.113/0.143      |
| FB64-110    | 64       | 200 and up                | 0.125/0.155      | 0.040/0.060      | 0.113/0.143      |
| FB73-110    | 73       | Up to 40                  | 0.123/0.153      | 0.040/0.060      | 0.113/0.143      |
| FB43-422    | 43       | 40 - 200                  | 0.185/0.215      | 0.050/0.070      | 0.412/0.462      |
| FB73-422    | 73       | Up to 40                  | 0.185/0.215      | 0.050/0.070      | 0.412/0.462      |
| FB43-287    | 43       | 40 - 200                  | 0.281/0.311      | 0.084/0.104      | 0.282/0.312      |
| FB73-287    | 73       | Up to 40                  | 0.281/0.311      | 0.084/0.104      | 0.282/0.312      |

For RoHS compliant version, add "-RC" to part number.



Dimensions: Inches

# Impedance vs. Frequency - Ferrite Beads



**BOURNS®**

Tel. (877) 426-8767 • Fax (951) 781-5006

[www.bourns.com](http://www.bourns.com)

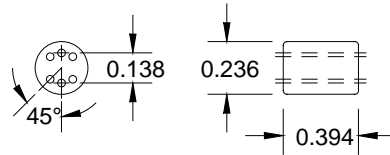
# Wide-Band Chokes

## Special Features

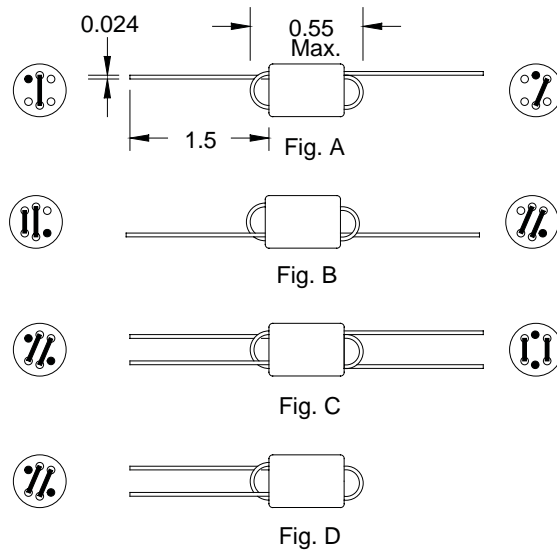
- High impedance
- Excellent EMI suppression capability at wide frequency range
- Low cost
- Differential & common mode configuration

| FB2000 Series |              |                       |                        |      |
|---------------|--------------|-----------------------|------------------------|------|
| Part Number   | No. of turns | Z ( $\Omega$ )        | Z ( $\Omega$ )         | Fig. |
|               |              | $\pm 25\%$<br>@ 10MHz | $\pm 25\%$<br>@ 100MHz |      |
| FB20009-3B    | 1 1/2        | 225                   | 400                    | A    |
| FB20019-4B    | 1 1/2        | 175                   | 500                    | A    |
| FB20010-3B    | 2 1/2        | 460                   | 785                    | B    |
| FB20020-4B    | 2 1/2        | 30                    | 410                    | B    |
| FB20011-3B    | 2 x 1 1/2    | 215                   | 415                    | C    |
| FB20021-4B    | 2 x 1 1/2    | 175                   | 485                    | C    |
| FB20022-4B    | 3            | 430                   | 900                    | D    |

For RoHS compliant version, add "-RC" to part number.



Core Dimension



Dimensions: Inches

**BOURNS®**

Tel. (877) 426-8767 • Fax (951) 781-5006

[www.bourns.com](http://www.bourns.com)



**BOURNS®**

Tel. (877) 426-8767 • Fax (951) 781-5006

[www.bourns.com](http://www.bourns.com)



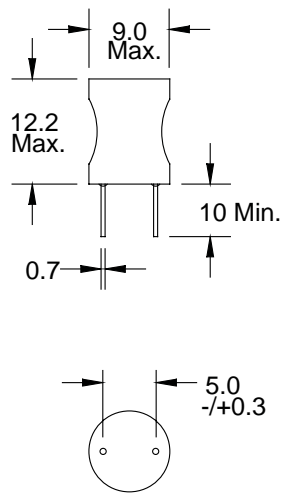
# Radial Lead RF Chokes

## Special Features

- High current capacity
- Ferrite bobbin core
- Low core loss at frequency
- High reliability, efficiency
- Winding covered with shrink tubing
- Fixed lead spacing
- Operating temperature -55 to +105 °C

## Notes

\* Current to cause 5 % max. inductance drop



Dimensions: mm

| 6000 Series |                 |           |                     |                      |                  |               |
|-------------|-----------------|-----------|---------------------|----------------------|------------------|---------------|
| Part Number | L (μH)<br>±20 % | Q<br>Min. | Test Freq.<br>(MHz) | SRF<br>(MHz)<br>Min. | DCR<br>Ω<br>Max. | I, DC*<br>(A) |
| 6000-1R0M   | 1.0             | 20        | 7.96                | 150                  | 0.013            | 10            |
| 6000-1R5M   | 1.5             | 20        | 7.96                | 130                  | 0.016            | 8.5           |
| 6000-2R2M   | 2.2             | 20        | 7.96                | 100                  | 0.021            | 6.5           |
| 6000-3R3M   | 3.3             | 20        | 7.96                | 79                   | 0.025            | 5.5           |
| 6000-4R7M   | 4.7             | 20        | 7.96                | 51                   | 0.030            | 4.6           |
| 6000-6R8M   | 6.8             | 20        | 7.96                | 29                   | 0.035            | 4.1           |
| ±10 %       |                 |           |                     |                      |                  |               |
| 6000-100K   | 10              | 50        | 2.52                | 14                   | 0.045            | 3.4           |
| 6000-120K   | 12              | 50        | 2.52                | 13                   | 0.050            | 3.1           |
| 6000-150K   | 15              | 50        | 2.52                | 12                   | 0.056            | 2.9           |
| 6000-180K   | 18              | 40        | 2.52                | 11                   | 0.061            | 2.66          |
| 6000-220K   | 22              | 40        | 2.52                | 9.2                  | 0.070            | 2.4           |
| 6000-270K   | 27              | 40        | 2.52                | 8.5                  | 0.080            | 2.22          |
| 6000-330K   | 33              | 30        | 2.52                | 7.8                  | 0.090            | 2.05          |
| 6000-390K   | 39              | 30        | 2.52                | 6.9                  | 0.10             | 1.85          |
| 6000-470K   | 47              | 30        | 2.52                | 6.5                  | 0.16             | 1.77          |
| 6000-560K   | 56              | 30        | 2.52                | 5.4                  | 0.18             | 1.48          |
| 6000-680K   | 68              | 30        | 2.52                | 4.9                  | 0.21             | 1.36          |
| 6000-820K   | 82              | 30        | 2.52                | 4.1                  | 0.23             | 1.3           |
| 6000-101K   | 100             | 20        | 0.796               | 3.7                  | 0.28             | 1.4           |
| 6000-121K   | 120             | 20        | 0.796               | 3.4                  | 0.32             | 1.25          |
| 6000-151K   | 150             | 20        | 0.796               | 3.2                  | 0.37             | 1.15          |
| 6000-181K   | 180             | 20        | 0.796               | 2.8                  | 0.58             | 1.08          |
| 6000-221K   | 220             | 20        | 0.796               | 2.7                  | 0.65             | 1.0           |
| 6000-271K   | 270             | 20        | 0.796               | 2.4                  | 0.75             | 0.90          |
| 6000-331K   | 330             | 20        | 0.796               | 2.3                  | 0.85             | 0.78          |
| 6000-391K   | 390             | 20        | 0.796               | 2.1                  | 1.0              | 0.74          |
| 6000-471K   | 470             | 20        | 0.796               | 1.9                  | 1.1              | 0.68          |
| 6000-561K   | 560             | 20        | 0.796               | 1.8                  | 1.4              | 0.64          |
| 6000-681K   | 680             | 20        | 0.796               | 1.6                  | 1.6              | 0.59          |
| 6000-821K   | 820             | 20        | 0.796               | 1.5                  | 1.8              | 0.56          |
| 6000-102K   | 1000            | 20        | 0.252               | 1.3                  | 2.9              | 0.51          |
| 6000-122K   | 1200            | 15        | 0.252               | 1.2                  | 3.4              | 0.48          |
| 6000-152K   | 1500            | 15        | 0.252               | 1.1                  | 3.8              | 0.43          |
| 6000-182K   | 1800            | 15        | 0.252               | 1.0                  | 5.3              | 0.39          |
| 6000-222K   | 2200            | 15        | 0.252               | 0.8                  | 5.9              | 0.36          |
| 6000-272K   | 2700            | 15        | 0.252               | 0.7                  | 8.2              | 0.32          |
| 6000-332K   | 3300            | 15        | 0.252               | 0.6                  | 9.1              | 0.29          |
| 6000-392K   | 3900            | 15        | 0.252               | 0.55                 | 9.9              | 0.27          |
| 6000-472K   | 4700            | 15        | 0.252               | 0.5                  | 13.6             | 0.24          |
| 6000-562K   | 5600            | 15        | 0.252               | 0.45                 | 14.9             | 0.22          |
| 6000-682K   | 6800            | 15        | 0.252               | 0.4                  | 20.7             | 0.20          |
| 6000-822K   | 8200            | 15        | 0.252               | 0.35                 | 22.7             | 0.18          |
| 6000-103K   | 10,000          | 15        | 0.079               | 0.32                 | 25.1             | 0.17          |
| 6000-123K   | 12,000          | 15        | 0.079               | 0.28                 | 34.7             | 0.15          |
| 6000-153K   | 15,000          | 15        | 0.079               | 0.25                 | 48.9             | 0.14          |
| 6000-183K   | 18,000          | 15        | 0.079               | 0.23                 | 53.6             | 0.12          |
| 6000-223K   | 22,000          | 15        | 0.079               | 0.21                 | 59.3             | 0.11          |
| 6000-273K   | 27,000          | 15        | 0.079               | 0.19                 | 82.7             | 0.10          |
| 6000-333K   | 33,000          | 15        | 0.079               | 0.17                 | 91.5             | 0.09          |
| 6000-393K   | 39,000          | 15        | 0.079               | 0.15                 | 125.5            | 0.08          |
| 6000-473K   | 47,000          | 15        | 0.079               | 0.12                 | 137.8            | 0.08          |

For RoHS compliant version, add "-RC" to part number.

**BOURNS®**

Tel. (877) 426-8767 • Fax (951) 781-5006

www.bourns.com

# Radial Lead RF Chokes

## Special Features

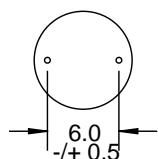
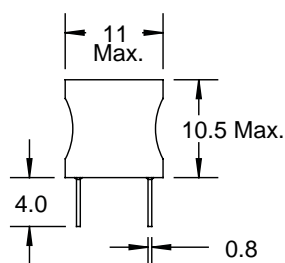
- High current capacity
- Ferrite bobbin core
- Low core loss
- High reliability, high efficiency
- Fixed lead spacing
- Winding covered with shrink tubing
- Operating temperature -40 to +105 °C

## Typical Applications

- Switch mode power supplies
- DC/DC converters
- Desktop, notebook computers, servers
- Digital TVs, DVDs, cable modems, DSS set-top boxes
- Battery chargers
- Output chokes
- EMI filters

## Note

\* Rated current to cause 5 % max. inductance drop



Dimensions: mm

| 6100 Series  |                             |                      |                  |               |
|--------------|-----------------------------|----------------------|------------------|---------------|
| Part Number  | L (μH)<br>±10 %<br>@100 KHz | SRF<br>(MHz)<br>Typ. | DCR<br>Ω<br>Max. | I, DC*<br>(A) |
| 6100-100K-RC | 10                          | 21.0                 | 0.020            | 6.33          |
| 6100-120K-RC | 12                          | 18.3                 | 0.022            | 5.75          |
| 6100-150K-RC | 15                          | 15.5                 | 0.024            | 5.28          |
| 6100-180K-RC | 18                          | 13.8                 | 0.027            | 4.80          |
| 6100-220K-RC | 22                          | 12.0                 | 0.039            | 4.52          |
| 6100-270K-RC | 27                          | 11.3                 | 0.047            | 3.75          |
| 6100-330K-RC | 33                          | 10.5                 | 0.059            | 3.39          |
| 6100-390K-RC | 39                          | 9.4                  | 0.079            | 3.08          |
| 6100-470K-RC | 47                          | 8.3                  | 0.084            | 2.79          |
| 6100-560K-RC | 56                          | 7.6                  | 0.089            | 2.57          |
| 6100-680K-RC | 68                          | 6.8                  | 0.11             | 2.38          |
| 6100-820K-RC | 82                          | 6.3                  | 0.15             | 2.18          |
| 6100-101K-RC | 100                         | 5.8                  | 0.16             | 1.98          |
| 6100-121K-RC | 120                         | 5.0                  | 0.23             | 1.80          |
| 6100-151K-RC | 150                         | 4.2                  | 0.24             | 1.61          |
| 6100-181K-RC | 180                         | 3.9                  | 0.31             | 1.45          |
| 6100-221K-RC | 220                         | 3.5                  | 0.35             | 1.32          |
| 6100-271K-RC | 270                         | 3.2                  | 0.52             | 1.18          |
| 6100-331K-RC | 330                         | 2.9                  | 0.60             | 1.10          |
| 6100-391K-RC | 390                         | 2.8                  | 0.64             | 1.00          |
| 6100-471K-RC | 470                         | 2.6                  | 0.77             | 0.90          |
| 6100-561K-RC | 560                         | 2.3                  | 0.87             | 0.83          |
| 6100-681K-RC | 680                         | 2.0                  | 1.09             | 0.76          |
| 6100-821K-RC | 820                         | 1.8                  | 1.44             | 0.69          |
| 6100-102K-RC | 1000                        | 1.6                  | 1.55             | 0.62          |
| 6100-122K-RC | 1200                        | 1.4                  | 2.20             | 0.57          |
| 6100-152K-RC | 1500                        | 1.3                  | 2.50             | 0.51          |
| 6100-182K-RC | 1800                        | 1.2                  | 3.65             | 0.47          |
| 6100-222K-RC | 2200                        | 1.1                  | 4.26             | 0.42          |
| 6100-272K-RC | 2700                        | 1.0                  | 5.41             | 0.38          |
| 6100-332K-RC | 3300                        | 1.0                  | 5.63             | 0.35          |
| 6100-392K-RC | 3900                        | 0.9                  | 6.62             | 0.32          |
| 6100-472K-RC | 4700                        | 0.8                  | 8.23             | 0.29          |
| 6100-562K-RC | 5600                        | 0.7                  | 9.45             | 0.27          |
| 6100-682K-RC | 6800                        | 0.6                  | 13.2             | 0.24          |
| 6100-822K-RC | 8200                        | 0.5                  | 16.0             | 0.22          |
| 6100-103K-RC | 10,000                      | 0.5                  | 19.3             | 0.20          |
| 6100-123K-RC | 12,000                      | 0.4                  | 23.2             | 0.19          |
| 6100-153K-RC | 15,000                      | 0.3                  | 30.4             | 0.17          |
| 6100-183K-RC | 18,000                      | 0.3                  | 34.1             | 0.16          |

Only available as RoHS compliant.

**BOURNS®**

Tel. (877) 426-8767 • Fax (951) 781-5006

[www.bourns.com](http://www.bourns.com)

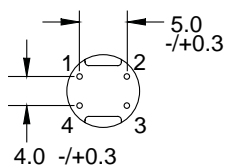
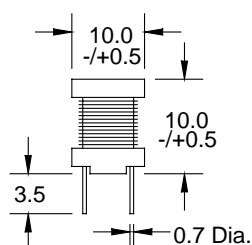
# Radial Lead RF Chokes

## Special Features

- High current capacity
- Ferrite bobbin core
- Low core loss at frequency
- High reliability, efficiency
- Fixed lead spacing
- Operating temperature -30 to +100 °C

## Notes

\* Current to cause max. 10 % of inductance drop, or 40 °C temperature rise



Connection:  
10 - 33uH, Pin (1,4) & (2,3)  
39 - 1000uH, Pin 2 & 4

Dimensions: mm

| RL110 Series |                 |            |                   |               |            |
|--------------|-----------------|------------|-------------------|---------------|------------|
| Part Number  | L (μH)<br>±20 % | Test Freq. | SRF (MHz)<br>Typ. | DCR Ω<br>Max. | I, DC* (A) |
| RL110-100M   | 10              | 2.52 MHz   | 14                | 0.022         | 5300       |
| RL110-120M   | 12              | 2.52 MHz   | 11                | 0.023         | 4900       |
| RL110-150M   | 15              | 2.52 MHz   | 7.7               | 0.026         | 4400       |
| RL110-180M   | 18              | 2.52 MHz   | 7.1               | 0.033         | 4000       |
| RL110-220M   | 22              | 2.52 MHz   | 6.8               | 0.037         | 3600       |
| RL110-270M   | 27              | 2.52 MHz   | 6.1               | 0.048         | 3300       |
|              | ±10 %           |            |                   |               |            |
| RL110-330K   | 33              | 2.52 MHz   | 6.0               | 0.055         | 2900       |
| RL110-390K   | 39              | 2.52 MHz   | 8.6               | 0.073         | 2700       |
| RL110-470K   | 47              | 2.52 MHz   | 8.1               | 0.083         | 2500       |
| RL110-560K   | 56              | 2.52 MHz   | 7.6               | 0.092         | 2300       |
| RL110-680K   | 68              | 2.52 MHz   | 6.3               | 0.12          | 2100       |
| RL110-820K   | 82              | 2.52 MHz   | 6.0               | 0.14          | 1900       |
| RL110-101K   | 100             | 1 KHz      | 5.7               | 0.16          | 1700       |
| RL110-121K   | 120             | 1 KHz      | 4.8               | 0.20          | 1500       |
| RL110-151K   | 150             | 1 KHz      | 4.2               | 0.23          | 1400       |
| RL110-181K   | 180             | 1 KHz      | 3.9               | 0.31          | 1300       |
| RL110-221K   | 220             | 1 KHz      | 3.8               | 0.34          | 1100       |
| RL110-271K   | 270             | 1 KHz      | 3.4               | 0.40          | 1000       |
| RL110-331K   | 330             | 1 KHz      | 2.8               | 0.52          | 930        |
| RL110-391K   | 390             | 1 KHz      | 2.7               | 0.65          | 860        |
| RL110-471K   | 470             | 1 KHz      | 2.5               | 0.71          | 780        |
| RL110-561K   | 560             | 1 KHz      | 2.2               | 1.0           | 710        |
| RL110-681K   | 680             | 1 KHz      | 2.1               | 1.1           | 650        |
| RL110-821K   | 820             | 1 KHz      | 2.0               | 1.3           | 590        |
| RL110-102K   | 1000            | 1 KHz      | 1.7               | 1.7           | 530        |

For RoHS compliant version, add "-RC" to part number.

**BOURNS®**

Tel. (877) 426-8767 • Fax (951) 781-5006

[www.bourns.com](http://www.bourns.com)

# Shielded, Radial Lead RF Chokes

## Special Features

- Ferrite shield for low radiation
- High Q
- High reliability, high efficiency
- Fixed lead spacing
- Operating temperature -55 to +105 °C

## Typical Applications

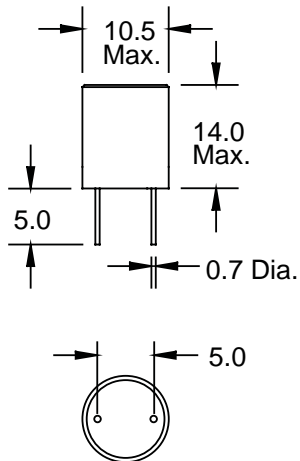
- Switch mode power supplies
- DC/DC converters
- Desktop, notebook computers, servers
- Digital TVs, DVDs, cable modems, DSS set-top boxes
- Battery chargers
- Output chokes
- EMI filters

## Notes

- \* Rated current to cause 10 % max. inductance drop

| RL181S Series  |                           |                         |                      |                    |                |                      |
|----------------|---------------------------|-------------------------|----------------------|--------------------|----------------|----------------------|
| Part Number    | L (μH)<br>±5 %<br>@ 1 KHz | Q<br>(Min.)<br>@ 50 KHz | SRF<br>(MHz)<br>Min. | DCR<br>(Ω)<br>Max. | I, DC*<br>(mA) | Bourns<br>Equivalent |
| RL181S-102J-RC | 1000                      | 70                      | 0.77                 | 3.4                | 90             |                      |
| RL181S-122J-RC | 1200                      | 70                      | 0.70                 | 3.7                | 75             |                      |
| RL181S-152J-RC | 1500                      | 70                      | 0.64                 | 4.0                | 70             |                      |
| RL181S-182J-RC | 1800                      | 70                      | 0.57                 | 4.5                | 65             |                      |
| RL181S-222J-RC | 2200                      | 70                      | 0.51                 | 5.2                | 60             |                      |
| RL181S-272J-RC | 2700                      | 70                      | 0.48                 | 5.8                | 55             |                      |
| RL181S-332J-RC | 3300                      | 100                     | 0.44                 | 6.1                | 50             |                      |
| RL181S-392J-RC | 3900                      | 100                     | 0.41                 | 7.2                | 45             |                      |
| RL181S-472J-RC | 4700                      | 100                     | 0.38                 | 7.5                | 40             |                      |
| RL181S-562J-RC | 5600                      | 100                     | 0.35                 | 8.4                | 40             |                      |
| RL181S-682J-RC | 6800                      | 100                     | 0.32                 | 9.7                | 35             |                      |
| RL181S-822J-RC | 8200                      | 100                     | 0.28                 | 10.4               | 30             |                      |
| RL181S-103J-RC | 10,000                    | 100                     | 0.25                 | 12.1               | 25             |                      |
| RL181S-123J-RC | 12,000                    | 100                     | 0.22                 | 13.0               | 25             | FSR1013              |
| RL181S-153J-RC | 15,000                    | 100                     | 0.22                 | 15.0               | 22             |                      |
| RL181S-183J-RC | 18,000                    | 100                     | 0.19                 | 17.0               | 21             |                      |
| RL181S-223J-RC | 22,000                    | 100                     | 0.19                 | 19.5               | 20             |                      |
| RL181S-273J-RC | 27,000                    | 100                     | 0.16                 | 22.0               | 18             |                      |
| RL181S-333J-RC | 33,000                    | 100                     | 0.16                 | 26.0               | 17             |                      |
| RL181S-363J-RC | 36,000                    | 100                     | 0.14                 | 27.0               | 16             |                      |
| RL181S-393J-RC | 39,000                    | 100                     | 0.12                 | 45.0               | 15             |                      |
| RL181S-473J-RC | 47,000                    | 100                     | 0.12                 | 52.0               | 13             |                      |
| RL181S-563J-RC | 56,000                    | 100                     | 0.12                 | 58.0               | 12             |                      |
| RL181S-683J-RC | 68,000                    | 100                     | 0.09                 | 67.0               | 11             |                      |
| RL181S-823J-RC | 82,000                    | 100                     | 0.09                 | 71.0               | 10             |                      |
| RL181S-104J-RC | 100,000                   | 100                     | 0.09                 | 82.0               | 9              |                      |
| RL181S-124J-RC | 120,000                   | 100                     | 0.09                 | 97                 | 8              |                      |

Only available as RoHS compliant.



Dimensions: mm

**BOURNS®**

Tel. (877) 426-8767 • Fax (951) 781-5006

[www.bourns.com](http://www.bourns.com)

# Radial Lead RF Chokes

## Special Features

- High Q
- High reliability, high efficiency
- Fixed lead spacing
- Winding covered with shrink tubing
- Operating temperature -55 to +105 °C

## Typical Applications

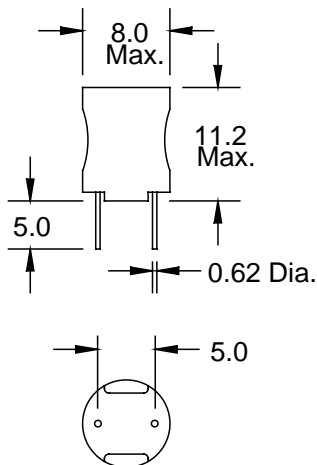
- Switch mode power supplies
- DC/DC converters
- Desktop, notebook computers, servers
- Digital TVs, DVDs, cable modems, DSS set-top boxes
- Battery chargers
- Output chokes
- EMI filters

## Notes

\* Rated current to cause 10 % max. inductance drop

| RL187 Series  |                |             |                |               |             |                |                      |
|---------------|----------------|-------------|----------------|---------------|-------------|----------------|----------------------|
| Part Number   | L (µH)<br>±5 % | Q<br>(Min.) | Test           | SRF           | DCR         | I, DC*<br>(mA) | Bourns<br>Equivalent |
|               |                |             | Freq.<br>(KHz) | (MHz)<br>Min. | (Ω)<br>Max. |                |                      |
| RL187-101J-RC | 100            | 80          | 796            | 5.3           | 2.0         | 200            | RLB1014              |
| RL187-121J-RC | 120            | 80          | 796            | 4.5           | 2.0         | 200            |                      |
| RL187-151J-RC | 150            | 80          | 796            | 3.8           | 2.0         | 200            |                      |
| RL187-181J-RC | 180            | 80          | 796            | 3.3           | 3.0         | 200            |                      |
| RL187-221J-RC | 220            | 80          | 796            | 2.9           | 3.0         | 200            |                      |
| RL187-271J-RC | 270            | 80          | 796            | 2.6           | 3.0         | 200            |                      |
| RL187-331J-RC | 330            | 80          | 796            | 2.3           | 4.0         | 200            |                      |
| RL187-391J-RC | 390            | 80          | 796            | 2.1           | 4.0         | 200            |                      |
| RL187-471J-RC | 470            | 80          | 796            | 1.9           | 4.0         | 200            |                      |
| RL187-561J-RC | 560            | 80          | 796            | 1.7           | 4.0         | 200            |                      |
| RL187-681J-RC | 680            | 80          | 796            | 1.6           | 4.0         | 200            |                      |
| RL187-821J-RC | 820            | 80          | 796            | 1.4           | 6.0         | 200            |                      |
| RL187-102J-RC | 1000           | 90          | 252            | 1.3           | 6.0         | 150            |                      |
| RL187-122J-RC | 1200           | 90          | 252            | 1.2           | 9.0         | 150            |                      |
| RL187-152J-RC | 1500           | 90          | 252            | 1.1           | 9.0         | 150            |                      |
| RL187-182J-RC | 1800           | 90          | 252            | 1.0           | 9.0         | 100            |                      |
| RL187-222J-RC | 2200           | 90          | 252            | 0.9           | 13          | 100            |                      |
| RL187-272J-RC | 2700           | 90          | 252            | 0.8           | 13          | 100            |                      |
| RL187-332J-RC | 3300           | 90          | 252            | 0.7           | 13          | 100            |                      |
| RL187-392J-RC | 3900           | 90          | 252            | 0.6           | 13          | 50             |                      |
| RL187-472J-RC | 4700           | 90          | 252            | 0.6           | 18          | 50             |                      |
| RL187-562J-RC | 5600           | 90          | 252            | 0.5           | 18          | 50             |                      |
| RL187-682J-RC | 6800           | 90          | 252            | 0.5           | 26          | 50             |                      |
| RL187-822J-RC | 8200           | 90          | 252            | 0.4           | 26          | 50             |                      |
| RL187-103J-RC | 10000          | 100         | 79.6           | 0.4           | 40          | 40             |                      |
| RL187-123J-RC | 12000          | 100         | 79.6           | 0.4           | 40          | 40             |                      |
| RL187-153J-RC | 15000          | 100         | 79.6           | 0.4           | 60          | 40             |                      |
| RL187-183J-RC | 18000          | 100         | 79.6           | 0.3           | 60          | 30             |                      |
| RL187-223J-RC | 22000          | 100         | 79.6           | 0.3           | 80          | 30             |                      |
| RL187-273J-RC | 27000          | 100         | 79.6           | 0.3           | 80          | 30             |                      |
| RL187-333J-RC | 33000          | 100         | 79.6           | 0.3           | 80          | 30             |                      |

Only available as RoHS compliant.



Dimensions: mm

**BOURNS®**

Tel. (877) 426-8767 • Fax (951) 781-5006

[www.bourns.com](http://www.bourns.com)

# Radial Lead RF Chokes

## Special Features

- High Q
- High reliability, high efficiency
- Fixed lead spacing
- Winding covered with shrink tubing
- Operating temperature -55 to +105 °C

## Typical Applications

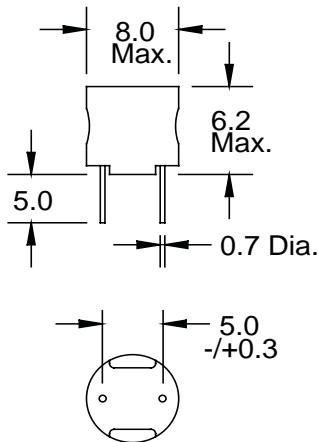
- Switch mode power supplies
- DC/DC converters
- Desktop, notebook computers, servers
- Digital TVs, DVDs, cable modems, DSS set-top boxes
- Battery chargers
- Output chokes
- EMI filters

## Note

\* Rated current to cause 10 % max. inductance

| RL262 Series  |                |             |                     |                      |                    |                |
|---------------|----------------|-------------|---------------------|----------------------|--------------------|----------------|
| Part Number   | L (μH)<br>±5 % | Q<br>(Min.) | Test Freq.<br>(KHz) | SRF<br>(MHz)<br>Min. | DCR<br>(Ω)<br>Max. | I, DC*<br>(mA) |
| RL262-101J-RC | 100            | 60          | 796                 | 6.1                  | 2.0                | 200            |
| RL262-121J-RC | 120            | 60          | 796                 | 5.5                  | 3.0                | 200            |
| RL262-151J-RC | 150            | 60          | 796                 | 5.0                  | 3.0                | 200            |
| RL262-181J-RC | 180            | 60          | 796                 | 4.7                  | 3.0                | 200            |
| RL262-221J-RC | 220            | 60          | 796                 | 4.5                  | 3.0                | 150            |
| RL262-271J-RC | 270            | 60          | 796                 | 4.1                  | 3.0                | 150            |
| RL262-331J-RC | 330            | 60          | 796                 | 3.8                  | 4.0                | 150            |
| RL262-391J-RC | 390            | 60          | 796                 | 3.5                  | 4.0                | 100            |
| RL262-471J-RC | 470            | 60          | 796                 | 3.2                  | 5.0                | 100            |
| RL262-561J-RC | 560            | 60          | 796                 | 2.9                  | 6.0                | 100            |
| RL262-681J-RC | 680            | 60          | 796                 | 2.7                  | 6.0                | 100            |
| RL262-821J-RC | 820            | 60          | 796                 | 2.3                  | 7.0                | 50             |
| RL262-102J-RC | 1000           | 80          | 252                 | 2.1                  | 9.0                | 50             |
| RL262-122J-RC | 1200           | 80          | 252                 | 1.9                  | 9.0                | 50             |
| RL262-152J-RC | 1500           | 80          | 252                 | 1.8                  | 11.0               | 50             |
| RL262-182J-RC | 1800           | 80          | 252                 | 1.6                  | 12.0               | 50             |
| RL262-222J-RC | 2200           | 80          | 252                 | 1.5                  | 14.0               | 50             |
| RL262-272J-RC | 2700           | 80          | 252                 | 1.4                  | 15.0               | 50             |
| RL262-332J-RC | 3300           | 80          | 252                 | 0.9                  | 25.0               | 40             |
| RL262-392J-RC | 3900           | 80          | 252                 | 0.9                  | 30.0               | 40             |
| RL262-472J-RC | 4700           | 80          | 252                 | 0.8                  | 32.0               | 40             |
| RL262-562J-RC | 5600           | 80          | 252                 | 0.7                  | 36.0               | 30             |
| RL262-682J-RC | 6800           | 80          | 252                 | 0.7                  | 40.0               | 30             |
| RL262-822J-RC | 8200           | 80          | 252                 | 0.6                  | 45.0               | 30             |
| RL262-103J-RC | 10000          | 60          | 79.6                | 0.6                  | 55.0               | 20             |
| RL262-123J-RC | 12000          | 60          | 79.6                | 0.5                  | 65.0               | 20             |
| RL262-153J-RC | 15000          | 60          | 79.6                | 0.5                  | 80.0               | 20             |

Only available as RoHS compliant.



Dimensions: mm

**BOURNS®**

Tel. (877) 426-8767 • Fax (951) 781-5006

[www.bourns.com](http://www.bourns.com)

# Radial Lead RF Chokes

## Special Features

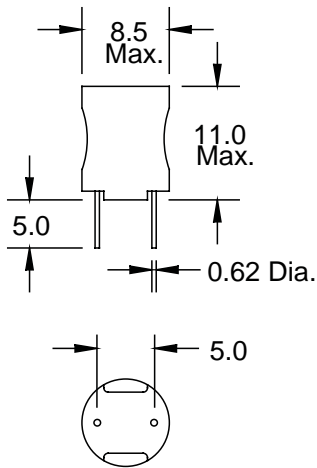
- High current capacity
- Ferrite bobbin core
- Low core loss
- High reliability, high efficiency
- Fixed lead spacing
- Winding covered with shrink tubing
- Operating temperature -55 to +105 °C

## Typical Applications

- Switch mode power supplies
- DC/DC converters
- Desktop, notebook computers, servers
- Digital TVs, DVDs, cable modems, DSS set-top boxes
- Battery chargers
- Output chokes
- EMI filters

## Note

\* Rated current to cause 10 % max. inductance drop



Dimensions: mm

| RL622         |                 |             |                     |                      |                    |               |                   |
|---------------|-----------------|-------------|---------------------|----------------------|--------------------|---------------|-------------------|
| Part Number   | L (μH)<br>±10 % | Q<br>(Min.) | Test Freq.<br>(MHz) | SRF<br>(MHz)<br>Min. | DCR<br>(Ω)<br>Max. | I, DC*<br>(A) | Bourns Equivalent |
| RL622-1R0K-RC | 1.0             | 20          | 7.96                | 150                  | 0.013              | 10            |                   |
| RL622-1R5K-RC | 1.5             | 20          | 7.96                | 130                  | 0.016              | 8.5           |                   |
| RL622-2R2K-RC | 2.2             | 20          | 7.96                | 100                  | 0.021              | 6.5           |                   |
| RL622-3R3K-RC | 3.3             | 20          | 7.96                | 79                   | 0.025              | 5.5           |                   |
| RL622-4R7K-RC | 4.7             | 20          | 7.96                | 51                   | 0.030              | 4.3           |                   |
| RL622-6R8K-RC | 6.8             | 20          | 7.96                | 29                   | 0.035              | 3.7           |                   |
| RL622-100K-RC | 10              | 50          | 2.52                | 14                   | 0.045              | 3.0           |                   |
| RL622-120K-RC | 12              | 50          | 2.52                | 13                   | 0.050              | 2.7           |                   |
| RL622-150K-RC | 15              | 40          | 2.52                | 12                   | 0.056              | 2.3           |                   |
| RL622-180K-RC | 18              | 40          | 2.52                | 11                   | 0.061              | 2.2           |                   |
| RL622-220K-RC | 22              | 40          | 2.52                | 9.2                  | 0.070              | 2.0           |                   |
| RL622-270K-RC | 27              | 30          | 2.52                | 8.5                  | 0.080              | 1.7           |                   |
| RL622-330K-RC | 33              | 30          | 2.52                | 7.8                  | 0.090              | 1.6           |                   |
| RL622-390K-RC | 39              | 30          | 2.52                | 6.9                  | 0.10               | 1.5           |                   |
| RL622-470K-RC | 47              | 30          | 2.52                | 6.5                  | 0.16               | 1.4           |                   |
| RL622-560K-RC | 58              | 30          | 2.52                | 5.4                  | 0.18               | 1.3           |                   |
| RL622-680K-RC | 68              | 30          | 2.52                | 4.9                  | 0.21               | 1.2           |                   |
| RL622-820K-RC | 82              | 30          | 2.52                | 4.1                  | 0.23               | 1.1           |                   |
| RL622-101K-RC | 100             | 20          | 0.796               | 3.7                  | 0.28               | 0.91          |                   |
| RL622-121K-RC | 120             | 20          | 0.796               | 3.4                  | 0.32               | 0.84          |                   |
| RL622-151K-RC | 150             | 20          | 0.796               | 3.2                  | 0.37               | 0.75          |                   |
| RL622-181K-RC | 180             | 20          | 0.796               | 2.8                  | 0.58               | 0.69          |                   |
| RL622-221K-RC | 220             | 20          | 0.796               | 2.7                  | 0.65               | 0.64          |                   |
| RL622-271K-RC | 270             | 20          | 0.796               | 2.4                  | 0.75               | 0.57          |                   |
| RL622-331K-RC | 330             | 20          | 0.796               | 2.3                  | 0.85               | 0.54          |                   |
| RL622-391K-RC | 390             | 20          | 0.796               | 2.1                  | 1.0                | 0.48          |                   |
| RL622-471K-RC | 470             | 20          | 0.796               | 1.9                  | 1.1                | 0.46          |                   |
| RL622-561K-RC | 560             | 20          | 0.796               | 1.8                  | 1.4                | 0.41          |                   |
| RL622-681K-RC | 680             | 20          | 0.796               | 1.6                  | 1.6                | 0.38          |                   |
| RL622-821K-RC | 820             | 20          | 0.796               | 1.5                  | 1.8                | 0.35          |                   |
| RL622-102K-RC | 1000            | 50          | 0.252               | 1.3                  | 2.9                | 0.29          |                   |
| RL622-122K-RC | 1200            | 50          | 0.252               | 1.1                  | 4.0                | 0.13          |                   |
| RL622-152K-RC | 1500            | 20          | 0.252               | 1.0                  | 6.1                | 0.08          |                   |
| RL622-182K-RC | 1800            | 20          | 0.252               | 1.0                  | 6.4                | 0.08          |                   |
| RL622-222K-RC | 2200            | 20          | 0.252               | 0.9                  | 6.8                | 0.08          |                   |
| RL622-272K-RC | 2700            | 20          | 0.252               | 0.9                  | 7.7                | 0.08          |                   |
| RL622-332K-RC | 3300            | 20          | 0.252               | 0.7                  | 9.0                | 0.08          |                   |
| RL622-392K-RC | 3900            | 20          | 0.252               | 0.6                  | 14.0               | 0.08          |                   |
| RL622-472K-RC | 4700            | 20          | 0.252               | 0.5                  | 16.0               | 0.05          |                   |
| RL622-562K-RC | 5600            | 20          | 0.252               | 0.4                  | 18.0               | 0.05          |                   |
| RL622-682K-RC | 6800            | 20          | 0.252               | 0.4                  | 19.0               | 0.05          |                   |
| RL622-822K-RC | 8200            | 20          | 0.252               | 0.3                  | 21.0               | 0.05          |                   |
| RL622-103K-RC | 10,000          | 40          | 0.079               | 0.3                  | 25.0               | 0.05          |                   |
| RL622-123K-RC | 12,000          | 40          | 0.079               | 0.3                  | 33.0               | 0.04          |                   |
| RL622-153K-RC | 15,000          | 40          | 0.079               | 0.2                  | 37.0               | 0.04          |                   |
| RL622-183K-RC | 18,000          | 30          | 0.079               | 0.2                  | 40.0               | 0.04          |                   |
| RL622-223K-RC | 22,000          | 30          | 0.079               | 0.1                  | 56.0               | 0.03          |                   |
| RL622-273K-RC | 27,000          | 30          | 0.079               | 0.1                  | 62.0               | 0.03          |                   |
| RL622-333K-RC | 33,000          | 30          | 0.079               | 0.1                  | 70.0               | 0.03          |                   |
| RL622-393K-RC | 39,000          | 30          | 0.079               | 0.1                  | 80.0               | 0.03          |                   |
| RL622-473K-RC | 47,000          | 20          | 0.079               | 0.1                  | 99.0               | 0.03          |                   |
| RL622-563K-RC | 56,000          | 20          | 0.079               | 0.1                  | 135.0              | 0.02          |                   |
| RL622-683K-RC | 68,000          | 20          | 0.079               | 0.1                  | 150.0              | 0.02          |                   |
| RL622-823K-RC | 82,000          | 20          | 0.079               | 0.1                  | 212.0              | 0.02          |                   |
| RL622-104K-RC | 100,000         | 20          | 0.025               | 0.1                  | 235.0              | 0.02          |                   |

RLB1014

Only available as RoHS compliant.

**BOURNS®**

Tel. (877) 426-8767 • Fax (951) 781-5006

www.bourns.com

# Radial Lead RF Chokes

## Special Features

- High current capacity
- Ferrite bobbin core
- Low core loss
- High reliability, high efficiency
- Fixed lead spacing
- Winding covered with shrink tubing
- Operating temperature -55 to +105 °C

## Typical Applications

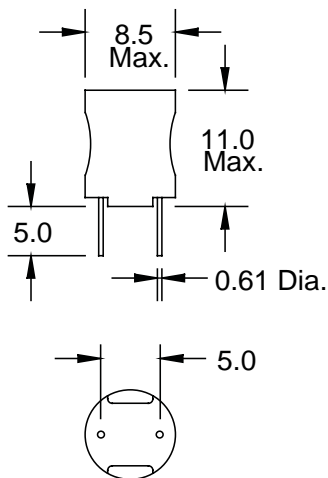
- Switch mode power supplies
- DC/DC converters
- Desktop, notebook computers, servers
- Digital TVs, DVDs, cable modems, DSS set-top boxes
- Battery chargers
- Output chokes
- EMI filters

## Notes

\* Rated current to cause 10 % max. inductance drop

| RL822 Series  |                           |                   |                 |            |
|---------------|---------------------------|-------------------|-----------------|------------|
| Part Number   | L (µH)<br>±10 %<br>@1 KHz | SRF (MHz)<br>Min. | DCR (Ω)<br>Max. | I, DC* (A) |
| RL822-1R0K-RC | 1.0                       | 150               | 0.013           | 3.71       |
| RL822-1R5K-RC | 1.5                       | 130               | 0.016           | 3.32       |
| RL822-2R2K-RC | 2.2                       | 100               | 0.021           | 3.15       |
| RL822-3R3K-RC | 3.3                       | 79                | 0.025           | 2.66       |
| RL822-4R7K-RC | 4.7                       | 51                | 0.030           | 2.27       |
| RL822-6R8K-RC | 6.8                       | 29                | 0.035           | 2.10       |
| RL822-100K-RC | 10                        | 14                | 0.045           | 1.96       |
| RL822-120K-RC | 12                        | 13                | 0.050           | 1.82       |
| RL822-150K-RC | 15                        | 12                | 0.058           | 1.75       |
| RL822-180K-RC | 18                        | 11                | 0.061           | 1.54       |
| RL822-220K-RC | 22                        | 9.2               | 0.070           | 1.29       |
| RL822-270K-RC | 27                        | 8.5               | 0.080           | 1.22       |
| RL822-330K-RC | 33                        | 7.8               | 0.090           | 1.17       |
| RL822-390K-RC | 39                        | 6.9               | 0.10            | 1.14       |
| RL822-470K-RC | 47                        | 6.5               | 0.17            | 0.79       |
| RL822-560K-RC | 56                        | 5.4               | 0.20            | 0.76       |
| RL822-680K-RC | 68                        | 4.9               | 0.22            | 0.70       |
| RL822-820K-RC | 82                        | 4.1               | 0.25            | 0.67       |
| RL822-101K-RC | 100                       | 3.7               | 0.28            | 0.58       |
| RL822-121K-RC | 120                       | 3.4               | 0.32            | 0.56       |
| RL822-151K-RC | 150                       | 3.2               | 0.54            | 0.42       |
| RL822-181K-RC | 180                       | 2.8               | 0.60            | 0.40       |
| RL822-221K-RC | 220                       | 2.7               | 0.68            | 0.38       |
| RL822-271K-RC | 270                       | 2.4               | 0.80            | 0.35       |
| RL822-331K-RC | 330                       | 2.3               | 0.90            | 0.33       |
| RL822-391K-RC | 390                       | 2.1               | 1.20            | 0.28       |
| RL822-471K-RC | 470                       | 1.9               | 1.37            | 0.25       |
| RL822-561K-RC | 560                       | 1.8               | 1.53            | 0.23       |
| RL822-681K-RC | 680                       | 1.6               | 2.00            | 0.21       |
| RL822-821K-RC | 820                       | 1.5               | 2.70            | 0.18       |
| RL822-102K-RC | 1000                      | 1.3               | 2.96            | 0.16       |

Only available as RoHS compliant.



Dimensions: mm

**BOURNS®**

Tel. (877) 426-8767 • Fax (951) 781-5006

[www.bourns.com](http://www.bourns.com)



# Radial Lead RF Chokes

## Special Features

- High current capacity
- Ferrite bobbin core
- Low core loss
- High reliability, high efficiency
- Fixed lead spacing
- Winding covered with shrink tubing
- Operating temperature -55 to +105 °C

## Typical Applications

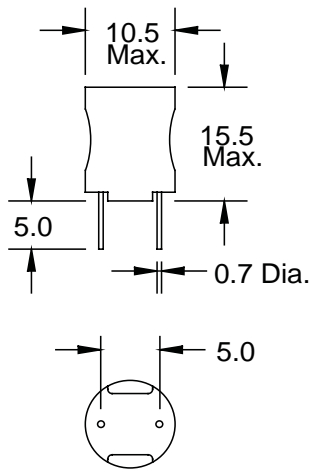
- Switch mode power supplies
- DC/DC converters
- Desktop, notebook computers, servers
- Digital TVs, DVDs, cable modems, DSS set-top boxes
- Battery chargers
- Output chokes
- EMI filters

## Notes

\* Rated current to cause 10 % max. inductance drop

| RL824 Series  |                           |                   |                 |            |
|---------------|---------------------------|-------------------|-----------------|------------|
| Part Number   | L (µH)<br>±10 %<br>@1 KHz | SRF (MHz)<br>Min. | DCR (Ω)<br>Max. | I, DC* (A) |
| RL824-100K-RC | 10                        | 44                | 0.052           | 2.20       |
| RL824-120K-RC | 12                        | 33                | 0.059           | 2.00       |
| RL824-150K-RC | 15                        | 25                | 0.065           | 1.93       |
| RL824-180K-RC | 18                        | 18                | 0.071           | 1.77       |
| RL824-220K-RC | 22                        | 12                | 0.076           | 1.72       |
| RL824-270K-RC | 27                        | 8.3               | 0.082           | 1.56       |
| RL824-330K-RC | 33                        | 5.9               | 0.086           | 1.49       |
| RL824-390K-RC | 39                        | 4.9               | 0.095           | 1.40       |
| RL824-470K-RC | 47                        | 4.1               | 0.11            | 1.29       |
| RL824-560K-RC | 56                        | 4.0               | 0.12            | 1.25       |
| RL824-680K-RC | 68                        | 3.9               | 0.13            | 1.24       |
| RL824-820K-RC | 82                        | 3.6               | 0.14            | 1.04       |
| RL824-101K-RC | 100                       | 2.8               | 0.18            | 1.02       |
| RL824-121K-RC | 120                       | 2.6               | 0.19            | 0.94       |
| RL824-151K-RC | 150                       | 2.2               | 0.22            | 0.92       |
| RL824-181K-RC | 180                       | 2.1               | 0.25            | 0.85       |
| RL824-221K-RC | 220                       | 1.9               | 0.28            | 0.82       |
| RL824-271K-RC | 270                       | 1.6               | 0.48            | 0.60       |
| RL824-331K-RC | 330                       | 1.5               | 0.50            | 0.56       |
| RL824-391K-RC | 390                       | 1.4               | 0.56            | 0.52       |
| RL824-471K-RC | 470                       | 1.3               | 0.62            | 0.48       |
| RL824-561K-RC | 560                       | 1.2               | 0.69            | 0.45       |
| RL824-681K-RC | 680                       | 1.1               | 0.79            | 0.44       |
| RL824-821K-RC | 820                       | 1.0               | 0.86            | 0.40       |
| RL824-102K-RC | 1000                      | 0.87              | 1.60            | 0.31       |
| RL824-122K-RC | 1200                      | 0.83              | 1.80            | 0.28       |
| RL824-152K-RC | 1500                      | 0.77              | 2.10            | 0.27       |
| RL824-182K-RC | 1800                      | 0.71              | 2.30            | 0.24       |
| RL824-222K-RC | 2200                      | 0.66              | 2.80            | 0.24       |
| RL824-272K-RC | 2700                      | 0.61              | 3.35            | 0.19       |
| RL824-332K-RC | 3300                      | 0.52              | 4.00            | 0.18       |
| RL824-392K-RC | 3900                      | 0.48              | 4.50            | 0.18       |

Only available as RoHS compliant.



Dimensions: mm

**BOURNS®**

Tel. (877) 426-8767 • Fax (951) 781-5006

[www.bourns.com](http://www.bourns.com)

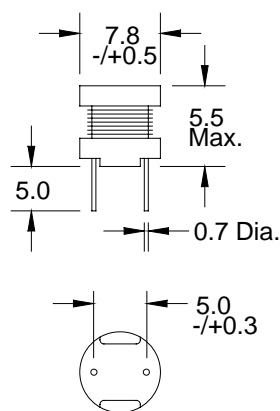
# Radial Lead RF Chokes

## Special Features

- High current capacity
- Ferrite bobbin core
- Low core loss at frequency
- High reliability, efficiency
- Small packaged size
- Fixed lead spacing
- Operating temperature -30 to +100 °C

## Notes

- \* Current to cause max. 10 % of inductance drop, or 40 °C temperature rise



Dimensions: mm

| RL855 Series |                 |            |                 |             |
|--------------|-----------------|------------|-----------------|-------------|
| Part Number  | L (μH)<br>±20 % | Test Freq. | DCR (Ω)<br>Max. | I, DC* (mA) |
| RL855-100M   | 10              | 2.52 MHz   | 0.07            | 2500        |
| RL855-120M   | 12              | 2.52 MHz   | 0.08            | 2400        |
| RL855-150M   | 15              | 2.52 MHz   | 0.09            | 2100        |
| RL855-180M   | 18              | 2.52 MHz   | 0.10            | 2000        |
|              | ±10 %           |            |                 |             |
| RL855-220K   | 22              | 2.52 MHz   | 0.12            | 1700        |
| RL855-270K   | 27              | 2.52 MHz   | 0.14            | 1600        |
| RL855-330K   | 33              | 2.52 MHz   | 0.17            | 1400        |
| RL855-390K   | 39              | 2.52 MHz   | 0.21            | 1300        |
| RL855-470K   | 47              | 2.52 MHz   | 0.24            | 1200        |
| RL855-560K   | 56              | 2.52 MHz   | 0.31            | 1100        |
| RL855-680K   | 68              | 2.52 MHz   | 0.34            | 1000        |
| RL855-820K   | 82              | 2.52 MHz   | 0.40            | 930         |
| RL855-101K   | 100             | 1 KHz      | 0.52            | 810         |
| RL855-121K   | 120             | 1 KHz      | 0.59            | 760         |
| RL855-151K   | 150             | 1 KHz      | 0.71            | 670         |
| RL855-181K   | 180             | 1 KHz      | 0.89            | 620         |
| RL855-221K   | 220             | 1 KHz      | 1.04            | 540         |
| RL855-271K   | 270             | 1 KHz      | 1.28            | 490         |
| RL855-331K   | 330             | 1 KHz      | 1.47            | 440         |
| RL855-391K   | 390             | 1 KHz      | 1.67            | 410         |
| RL855-471K   | 470             | 1 KHz      | 1.95            | 380         |
| RL855-561K   | 560             | 1 KHz      | 2.83            | 350         |
| RL855-681K   | 680             | 1 KHz      | 3.25            | 320         |
| RL855-821K   | 820             | 1 KHz      | 3.82            | 310         |
| RL855-102K   | 1000            | 1 KHz      | 5.28            | 250         |
| RL855-122K   | 1200            | 1 KHz      | 6.03            | 230         |
| RL855-152K   | 1500            | 1 KHz      | 7.15            | 210         |
| RL855-182K   | 1800            | 1 KHz      | 8.26            | 200         |
| RL855-222K   | 2200            | 1 KHz      | 11.1            | 180         |
| RL855-272K   | 2700            | 1 KHz      | 13.1            | 160         |
| RL855-332K   | 3300            | 1 KHz      | 15.9            | 140         |
| RL855-392K   | 3900            | 1 KHz      | 18.0            | 130         |
| RL855-472K   | 4700            | 1 KHz      | 23.9            | 120         |
| RL855-562K   | 5600            | 1 KHz      | 26.8            | 110         |
| RL855-682K   | 6800            | 1 KHz      | 31.7            | 98          |
| RL855-822K   | 8200            | 1 KHz      | 46.5            | 88          |
| RL855-103K   | 10,000          | 1 KHz      | 55.7            | 81          |

For RoHS compliant version, add "-RC" to part number.

**BOURNS®**

Tel. (877) 426-8767 • Fax (951) 781-5006

[www.bourns.com](http://www.bourns.com)

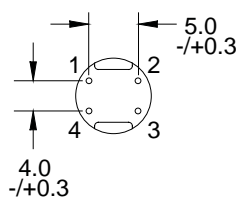
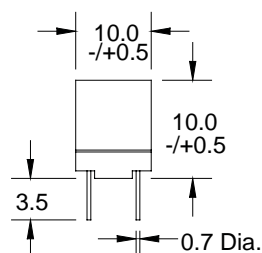
# Shielded, Radial Lead RF Chokes

## Special Features

- Magnetic shielded for low radiation
- High current capacity
- Ferrite bobbin core
- Low core loss at frequency
- High reliability, efficiency
- Small packaged size
- Fixed lead spacing
- Operating temperature -30 to +100 °C

## Notes

- \* Current to cause max. 10 % of inductance drop, or 40 °C temperature rise



Connection on Pin 2 & 4

Dimensions: mm

| RL110S Series |                 |            |                   |               |             |
|---------------|-----------------|------------|-------------------|---------------|-------------|
| Part Number   | L (μH)<br>±20 % | Test Freq. | SRF (MHz)<br>Typ. | DCR Ω<br>Max. | I, DC* (mA) |
| RL110S-100M   | 10              | 2.52 MHz   | 32                | 0.023         | 3900        |
| RL110S-120M   | 12              | 2.52 MHz   | 26                | 0.024         | 3600        |
| RL110S-150M   | 15              | 2.52 MHz   | 23                | 0.036         | 3200        |
| RL110S-180M   | 18              | 2.52 MHz   | 20                | 0.039         | 2900        |
| RL110S-220M   | 22              | 2.52 MHz   | 14                | 0.042         | 2600        |
| RL110S-270M   | 27              | 2.52 MHz   | 12                | 0.045         | 2400        |
| ±15 %         |                 |            |                   |               |             |
| RL110S-330L   | 33              | 2.52 MHz   | 10                | 0.057         | 2100        |
| RL110S-390L   | 39              | 2.52 MHz   | 8.5               | 0.076         | 2000        |
| RL110S-470L   | 47              | 2.52 MHz   | 8.0               | 0.10          | 1800        |
| RL110S-560L   | 56              | 2.52 MHz   | 7.5               | 0.11          | 1600        |
| RL110S-680L   | 68              | 2.52 MHz   | 6.0               | 0.15          | 1500        |
| RL110S-820L   | 82              | 2.52 MHz   | 4.7               | 0.16          | 1400        |
| RL110S-101L   | 100             | 1 KHz      | 4.4               | 0.19          | 1200        |
| RL110S-121L   | 120             | 1 KHz      | 4.2               | 0.21          | 1100        |
| RL110S-151L   | 150             | 1 KHz      | 3.6               | 0.23          | 1000        |
| RL110S-181L   | 180             | 1 KHz      | 3.3               | 0.26          | 920         |
| RL110S-221L   | 220             | 1 KHz      | 3.1               | 0.29          | 830         |
| RL110S-271L   | 270             | 1 KHz      | 2.9               | 0.36          | 750         |
| RL110S-331L   | 330             | 1 KHz      | 2.7               | 0.51          | 680         |
| RL110S-391L   | 390             | 1 KHz      | 2.4               | 0.69          | 620         |
| RL110S-471L   | 470             | 1 KHz      | 2.2               | 0.98          | 570         |
| RL110S-561L   | 560             | 1 KHz      | 2.0               | 1.1           | 520         |
| RL110S-681L   | 680             | 1 KHz      | 1.8               | 1.2           | 470         |
| RL110S-821L   | 820             | 1 KHz      | 1.6               | 1.3           | 430         |
| RL110S-102L   | 1000            | 1 KHz      | 1.5               | 1.5           | 390         |

For RoHS compliant version, add "-RC" to part number.

**BOURNS®**

Tel. (877) 426-8767 • Fax (951) 781-5006

[www.bourns.com](http://www.bourns.com)

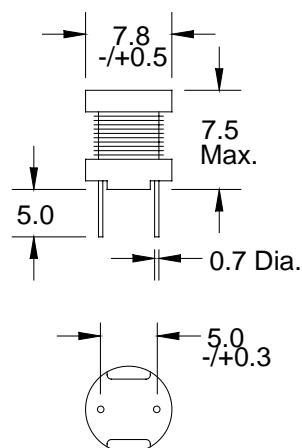
## Radial Lead RF Chokes

### Special Features

- High current capacity
- Ferrite bobbin core
- Low core loss at frequency
- High reliability, efficiency
- Small packaged size
- Fixed lead spacing
- Operating temperature -30 to +100 °C

### Notes

- \* Current to cause max. 10 % of inductance drop, or 40 °C temperature rise



Dimensions: mm

| RL875 Series |                 |            |                 |             |
|--------------|-----------------|------------|-----------------|-------------|
| Part Number  | L (μH)<br>±20 % | Test Freq. | DCR (Ω)<br>Max. | I, DC* (mA) |
| RL875-100M   | 10              | 2.52 MHz   | 0.05            | 2900        |
| RL875-120M   | 12              | 2.52 MHz   | 0.06            | 2500        |
|              | ±10 %           |            |                 |             |
| RL875-150K   | 15              | 2.52 MHz   | 0.07            | 2200        |
| RL875-180K   | 18              | 2.52 MHz   | 0.08            | 1900        |
| RL875-220K   | 22              | 2.52 MHz   | 0.09            | 1800        |
| RL875-270K   | 27              | 2.52 MHz   | 0.11            | 1700        |
| RL875-330K   | 33              | 2.52 MHz   | 0.13            | 1500        |
| RL875-390K   | 39              | 2.52 MHz   | 0.14            | 1300        |
| RL875-470K   | 47              | 2.52 MHz   | 0.15            | 1300        |
| RL875-560K   | 56              | 2.52 MHz   | 0.18            | 1200        |
| RL875-680K   | 68              | 2.52 MHz   | 0.20            | 1100        |
| RL875-820K   | 82              | 2.52 MHz   | 0.24            | 1000        |
| RL875-101K   | 100             | 1 KHz      | 0.28            | 890         |
| RL875-121K   | 120             | 1 KHz      | 0.36            | 810         |
| RL875-151K   | 150             | 1 KHz      | 0.42            | 720         |
| RL875-181K   | 180             | 1 KHz      | 0.57            | 660         |
| RL875-221K   | 220             | 1 KHz      | 0.63            | 570         |
| RL875-271K   | 270             | 1 KHz      | 0.88            | 510         |
| RL875-331K   | 330             | 1 KHz      | 1.05            | 460         |
| RL875-391K   | 390             | 1 KHz      | 1.17            | 440         |
| RL875-471K   | 470             | 1 KHz      | 1.34            | 410         |
| RL875-561K   | 560             | 1 KHz      | 1.72            | 360         |
| RL875-681K   | 680             | 1 KHz      | 1.96            | 330         |
| RL875-821K   | 820             | 1 KHz      | 2.56            | 300         |
| RL875-102K   | 1000            | 1 KHz      | 2.94            | 270         |
| RL875-122K   | 1200            | 1 KHz      | 4.04            | 240         |
| RL875-152K   | 1500            | 1 KHz      | 4.70            | 220         |
| RL875-182K   | 1800            | 1 KHz      | 5.05            | 200         |
| RL875-222K   | 2200            | 1 KHz      | 6.25            | 180         |
| RL875-272K   | 2700            | 1 KHz      | 8.72            | 160         |
| RL875-332K   | 3300            | 1 KHz      | 10.6            | 150         |
| RL875-392K   | 3900            | 1 KHz      | 14.2            | 140         |
| RL875-472K   | 4700            | 1 KHz      | 16.7            | 120         |
| RL875-562K   | 5600            | 1 KHz      | 18.7            | 110         |
| RL875-682K   | 6800            | 1 KHz      | 21.8            | 100         |
| RL875-822K   | 8200            | 1 KHz      | 28.7            | 93          |
| RL875-103K   | 10,000          | 1 KHz      | 33.0            | 84          |

For RoHS compliant version, add "-RC" to part number.

**BOURNS®**

Tel. (877) 426-8767 • Fax (951) 781-5006

[www.bourns.com](http://www.bourns.com)

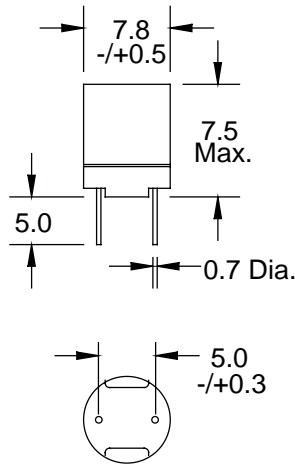
# Shielded, Radial Lead RF Chokes

## Special Features

- Magnetic shielded for low radiation
- Ferrite bobbin core
- Low core loss at frequency
- High reliability, efficiency
- Fixed lead spacing
- Operating temperature -30 to +100 °C

## Notes

- \* Current to cause max. 10 % of inductance drop, or 40 °C temperature rise



Dimensions: mm

| RL875S Series |                 |            |               |             |
|---------------|-----------------|------------|---------------|-------------|
| Part Number   | L (μH)<br>±15 % | Test Freq. | DCR Ω<br>Max. | I, DC* (mA) |
| RL875S-220L   | 22              | 2.52 MHz   | 0.08          | 1600        |
| RL875S-270L   | 27              | 2.52 MHz   | 0.10          | 1490        |
| RL875S-330L   | 33              | 2.52 MHz   | 0.14          | 1300        |
| RL875S-390L   | 39              | 2.52 MHz   | 0.15          | 1200        |
| RL875S-470L   | 47              | 2.52 MHz   | 0.17          | 1100        |
| ±10 %         |                 |            |               |             |
| RL875S-560K   | 56              | 2.52 MHz   | 0.19          | 990         |
| RL875S-680K   | 68              | 2.52 MHz   | 0.21          | 890         |
| RL875S-820K   | 82              | 2.52 MHz   | 0.27          | 810         |
| RL875S-101K   | 100             | 1 KHz      | 0.32          | 740         |
| RL875S-121K   | 120             | 1 KHz      | 0.36          | 670         |
| RL875S-151K   | 150             | 1 KHz      | 0.51          | 600         |
| RL875S-181K   | 180             | 1 KHz      | 0.57          | 550         |
| RL875S-221K   | 220             | 1 KHz      | 0.76          | 500         |
| RL875S-271K   | 270             | 1 KHz      | 0.86          | 450         |
| RL875S-331K   | 330             | 1 KHz      | 0.97          | 410         |
| RL875S-391K   | 390             | 1 KHz      | 1.28          | 370         |
| RL875S-471K   | 470             | 1 KHz      | 1.44          | 340         |
| RL875S-561K   | 560             | 1 KHz      | 1.61          | 310         |
| RL875S-681K   | 680             | 1 KHz      | 2.07          | 280         |
| RL875S-821K   | 820             | 1 KHz      | 2.33          | 260         |
| RL875S-102K   | 1000            | 1 KHz      | 2.72          | 230         |
| RL875S-122K   | 1200            | 1 KHz      | 3.98          | 210         |
| RL875S-152K   | 1500            | 1 KHz      | 4.50          | 190         |
| RL875S-182K   | 1800            | 1 KHz      | 6.81          | 170         |
| RL875S-222K   | 2200            | 1 KHz      | 7.56          | 160         |
| RL875S-272K   | 2700            | 1 KHz      | 8.54          | 140         |
| RL875S-332K   | 3300            | 1 KHz      | 9.74          | 130         |
| RL875S-392K   | 3900            | 1 KHz      | 12.9          | 120         |
| RL875S-472K   | 4700            | 1 KHz      | 14.7          | 110         |
| RL875S-562K   | 5600            | 1 KHz      | 20.4          | 99          |
| RL875S-682K   | 6800            | 1 KHz      | 23.0          | 89          |
| RL875S-822K   | 8200            | 1 KHz      | 30.6          | 81          |
| RL875S-103K   | 10,000          | 1 KHz      | 35.0          | 74          |

For RoHS compliant version, add "-RC" to part number.

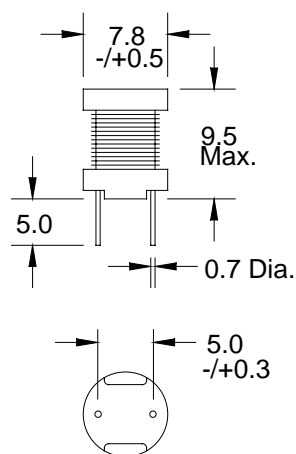
# Radial Lead RF Chokes

## Special Features

- High current capacity
- Ferrite bobbin core
- Low core loss at frequency
- High reliability, efficiency
- Fixed lead spacing
- Operating temperature -30 to +100 °C

## Notes

\* Current to cause max. 10 % of inductance drop, or 40 °C temperature rise



Dimensions: mm

| RL895 Series |                 |            |                 |             |
|--------------|-----------------|------------|-----------------|-------------|
| Part Number  | L (μH)<br>±20 % | Test Freq. | DCR (Ω)<br>Max. | I, DC* (mA) |
| RL895-100M   | 10              | 2.52 MHz   | 0.04            | 2600        |
| RL895-120M   | 12              | 2.52 MHz   | 0.04            | 2600        |
|              | ±10 %           |            |                 |             |
| RL895-150K   | 15              | 2.52 MHz   | 0.05            | 2100        |
| RL895-180K   | 18              | 2.52 MHz   | 0.05            | 2000        |
| RL895-220K   | 22              | 2.52 MHz   | 0.06            | 1700        |
| RL895-270K   | 27              | 2.52 MHz   | 0.06            | 1600        |
| RL895-330K   | 33              | 2.52 MHz   | 0.07            | 1400        |
| RL895-390K   | 39              | 2.52 MHz   | 0.08            | 1400        |
| RL895-470K   | 47              | 2.52 MHz   | 0.10            | 1300        |
| RL895-560K   | 56              | 2.52 MHz   | 0.11            | 1200        |
| RL895-680K   | 68              | 2.52 MHz   | 0.14            | 1100        |
| RL895-820K   | 82              | 2.52 MHz   | 0.16            | 1000        |
| RL895-101K   | 100             | 1 KHz      | 0.19            | 900         |
| RL895-121K   | 120             | 1 KHz      | 0.22            | 820         |
| RL895-151K   | 150             | 1 KHz      | 0.27            | 740         |
| RL895-181K   | 180             | 1 KHz      | 0.31            | 710         |
| RL895-221K   | 220             | 1 KHz      | 0.38            | 640         |
| RL895-271K   | 270             | 1 KHz      | 0.53            | 570         |
| RL895-331K   | 330             | 1 KHz      | 0.61            | 510         |
| RL895-391K   | 390             | 1 KHz      | 0.69            | 480         |
| RL895-471K   | 470             | 1 KHz      | 0.89            | 430         |
| RL895-561K   | 560             | 1 KHz      | 1.01            | 400         |
| RL895-681K   | 680             | 1 KHz      | 1.18            | 350         |
| RL895-821K   | 820             | 1 KHz      | 1.57            | 320         |
| RL895-102K   | 1000            | 1 KHz      | 1.84            | 300         |
| RL895-122K   | 1200            | 1 KHz      | 2.10            | 270         |
| RL895-152K   | 1500            | 1 KHz      | 2.80            | 230         |
| RL895-182K   | 1800            | 1 KHz      | 3.21            | 210         |
| RL895-222K   | 2200            | 1 KHz      | 4.21            | 190         |
| RL895-272K   | 2700            | 1 KHz      | 4.94            | 170         |
| RL895-332K   | 3300            | 1 KHz      | 6.16            | 150         |
| RL895-392K   | 3900            | 1 KHz      | 6.84            | 140         |
| RL895-472K   | 4700            | 1 KHz      | 7.89            | 130         |
| RL895-562K   | 5600            | 1 KHz      | 11.5            | 120         |
| RL895-682K   | 6800            | 1 KHz      | 13.2            | 110         |
| RL895-822K   | 8200            | 1 KHz      | 15.3            | 100         |
| RL895-103K   | 10,000          | 1 KHz      | 22.0            | 89          |
| RL895-123K   | 12,000          | 1 KHz      | 25.0            | 73          |
| RL895-153K   | 15,000          | 1 KHz      | 29.1            | 68          |
| RL895-183K   | 18,000          | 1 KHz      | 38.9            | 66          |
| RL895-223K   | 22,000          | 1 KHz      | 44.9            | 59          |
| RL895-273K   | 27,000          | 1 KHz      | 55.2            | 52          |
| RL895-333K   | 33,000          | 1 KHz      | 64.2            | 48          |
| RL895-393K   | 39,000          | 1 KHz      | 74.2            | 42          |
| RL895-473K   | 47,000          | 1 KHz      | 96.4            | 38          |

For RoHS compliant version, add "-RC" to part number.

**BOURNS®**

Tel. (877) 426-8767 • Fax (951) 781-5006

[www.bourns.com](http://www.bourns.com)

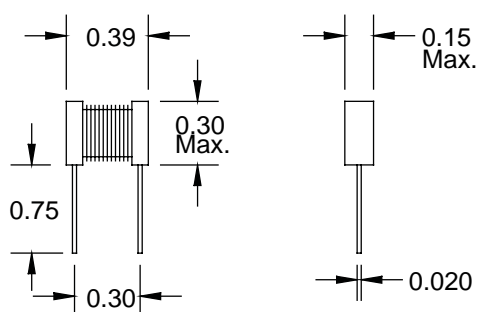
# Flat RF Chokes

## Special Features

- High Q
- Ferrite core
- Flat body construction to occupy small PCB area
- Low cost
- Varnish coated
- Operating temperature: -55 to +105 °C

## Notes

- \* Saturation current to cause 5 % max. inductance drop
- \*\* Rated current to cause 35 °C max. temperature rise



Dimensions: Inches

| 3500 Series |                 |           |                     |                  |                |                |
|-------------|-----------------|-----------|---------------------|------------------|----------------|----------------|
| Part Number | L (μH)<br>±20 % | Q<br>Min. | Test Freq.<br>(MHz) | DCR<br>Ω<br>Max. | I sat.*<br>(A) | I, DC**<br>(A) |
| 3500-1R0M   | 1.0             | 37        | 7.96                | 0.010            | 7.0            | 3.60           |
| 3500-1R2M   | 1.2             | 39        | 7.96                | 0.012            | 6.0            | 3.30           |
| 3500-1R5M   | 1.5             | 33        | 7.96                | 0.014            | 5.0            | 3.00           |
| 3500-1R8M   | 1.8             | 37        | 7.96                | 0.020            | 4.8            | 2.50           |
| 3500-2R2M   | 2.2             | 38        | 7.96                | 0.025            | 4.4            | 2.30           |
| 3500-2R7M   | 2.7             | 43        | 7.96                | 0.028            | 4.0            | 2.20           |
| 3500-3R3M   | 3.3             | 35        | 7.96                | 0.036            | 3.7            | 1.90           |
| 3500-3R9M   | 3.9             | 37        | 7.96                | 0.050            | 3.4            | 1.60           |
| 3500-4R7M   | 4.7             | 37        | 7.96                | 0.053            | 3.2            | 1.50           |
| 3500-5R6M   | 5.6             | 35        | 7.96                | 0.092            | 2.8            | 1.20           |
| 3500-6R8M   | 6.8             | 29        | 7.96                | 0.113            | 2.6            | 1.10           |
| 3500-8R2M   | 8.2             | 32        | 7.96                | 0.116            | 2.2            | 1.10           |
| ±10 %       |                 |           |                     |                  |                |                |
| 3500-100K   | 10              | 31        | 7.96                | 0.120            | 2.1            | 1.00           |
| 3500-120K   | 12              | 55        | 2.52                | 0.140            | 2.0            | 0.96           |
| 3500-150K   | 15              | 51        | 2.52                | 0.158            | 1.6            | 0.91           |
| 3500-180K   | 18              | 46        | 2.52                | 0.180            | 1.5            | 0.85           |
| 3500-220K   | 22              | 51        | 2.52                | 0.230            | 1.4            | 0.75           |
| 3500-270K   | 27              | 52        | 2.52                | 0.265            | 1.3            | 0.70           |
| 3500-330K   | 33              | 47        | 2.52                | 0.346            | 1.2            | 0.61           |
| 3500-390K   | 39              | 46        | 2.52                | 0.371            | 1.1            | 0.59           |
| 3500-470K   | 47              | 45        | 2.52                | 0.502            | 1.0            | 0.51           |
| 3500-560K   | 56              | 45        | 2.52                | 0.687            | 0.95           | 0.44           |
| 3500-680K   | 68              | 46        | 2.52                | 0.888            | 0.90           | 0.38           |
| 3500-820K   | 82              | 53        | 2.52                | 1.20             | 0.85           | 0.33           |
| 3500-101K   | 100             | 39        | 0.796               | 1.50             | 0.80           | 0.29           |
| 3500-121K   | 120             | 75        | 0.796               | 1.73             | 0.65           | 0.27           |
| 3500-151K   | 150             | 60        | 0.796               | 1.96             | 0.60           | 0.26           |
| 3500-181K   | 180             | 75        | 0.796               | 2.07             | 0.56           | 0.25           |
| 3500-221K   | 220             | 63        | 0.796               | 2.19             | 0.49           | 0.24           |
| 3500-271K   | 270             | 68        | 0.796               | 2.53             | 0.45           | 0.23           |
| 3500-331K   | 330             | 64        | 0.796               | 3.34             | 0.41           | 0.20           |
| 3500-391K   | 390             | 60        | 0.796               | 3.45             | 0.39           | 0.19           |
| 3500-471K   | 470             | 70        | 0.796               | 5.29             | 0.35           | 0.16           |
| 3500-561K   | 560             | 68        | 0.796               | 5.41             | 0.32           | 0.16           |
| 3500-681K   | 680             | 64        | 0.796               | 5.93             | 0.29           | 0.15           |
| 3500-821K   | 820             | 60        | 0.796               | 6.33             | 0.27           | 0.14           |
| 3500-102K   | 1000            | 40        | 0.796               | 7.31             | 0.25           | 0.14           |
| 3500-122K   | 1200            | 70        | 0.252               | 10.0             | 0.2            | 0.11           |
| 3500-152K   | 1500            | 72        | 0.252               | 14.3             | 0.19           | 0.10           |
| 3500-182K   | 1800            | 72        | 0.252               | 15.8             | 0.17           | 0.091          |
| 3500-222K   | 2200            | 72        | 0.252               | 17.6             | 0.15           | 0.086          |
| 3500-272K   | 2700            | 72        | 0.252               | 19.3             | 0.14           | 0.082          |
| 3500-332K   | 3300            | 72        | 0.252               | 21.7             | 0.13           | 0.077          |
| 3500-392K   | 3900            | 70        | 0.252               | 26.0             | 0.12           | 0.071          |
| 3500-472K   | 4700            | 63        | 0.252               | 29.9             | 0.11           | 0.066          |
| 3500-752K   | 7500            | 20        | 0.252               | 55.0             | 0.08           | 0.045          |
| 3500-103K   | 10,000          | 40        | 0.0796              | 80.0             | 0.07           | 0.040          |

For RoHS compliant version, add "-RC" to part number.

**BOURNS®**

Tel. (877) 426-8767 • Fax (951) 781-5006

www.bourns.com



**BOURNS®**

Tel. (877) 426-8767 • Fax (951) 781-5006

[www.bourns.com](http://www.bourns.com)



# Conformal Coated RF Chokes

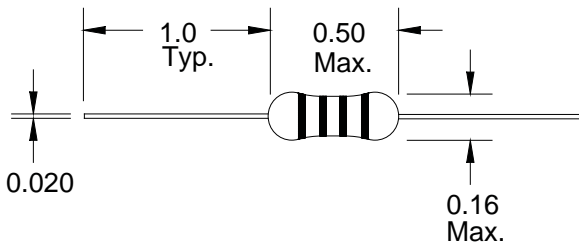
## Special Features

- High current, high self resonant frequency
- Low DCR
- Ferrite bobbin core
- Epoxy coated to protect winding from harsh environments
- Low cost
- Color bands identification (Indicates Inductance Value)
- Dielectric strength 500 Vrms
- Operating temperature -55 to +105 °C
- Test frequency : 1 KHz, except 1.0 – 8.2  $\mu$ H @ 7.96 MHz

## Notes

\* Saturation current to cause 5 % max. inductance drop

\*\* Rated current to cause 35 °C max. temperature rise



Dimensions: Inches

| 5300 Series |                            |                   |                      |              |                |
|-------------|----------------------------|-------------------|----------------------|--------------|----------------|
| Part Number | L ( $\mu$ H)<br>$\pm 10\%$ | SRF (MHz)<br>Min. | DCR $\Omega$<br>Max. | I sat.* (mA) | I rated** (mA) |
| 5300-01     | 1.0                        | 190               | 0.018                | 3000         | 3300           |
| 5300-02     | 1.2                        | 170               | 0.019                | 2700         | 3200           |
| 5300-03     | 1.5                        | 160               | 0.020                | 2500         | 3100           |
| 5300-04     | 1.8                        | 150               | 0.023                | 2100         | 2900           |
| 5300-05     | 2.2                        | 130               | 0.031                | 2000         | 2600           |
| 5300-06     | 2.7                        | 120               | 0.033                | 1900         | 2500           |
| 5300-07     | 3.3                        | 110               | 0.054                | 1700         | 1900           |
| 5300-08     | 3.9                        | 100               | 0.060                | 1500         | 1800           |
| 5300-09     | 4.7                        | 86                | 0.068                | 1400         | 1700           |
| 5300-10     | 5.6                        | 64                | 0.074                | 1300         | 1600           |
| 5300-11     | 6.8                        | 44                | 0.080                | 1200         | 1600           |
| 5300-12     | 8.2                        | 32                | 0.087                | 1100         | 1500           |
| 5300-13     | 10                         | 25                | 0.095                | 970          | 1500           |
| 5300-14     | 12                         | 17                | 0.11                 | 880          | 1400           |
| 5300-15     | 15                         | 13                | 0.15                 | 790          | 1200           |
| 5300-16     | 18                         | 10                | 0.16                 | 710          | 1100           |
| 5300-17     | 22                         | 8.4               | 0.19                 | 640          | 1000           |
| 5300-18     | 27                         | 8.0               | 0.22                 | 580          | 950            |
| 5300-19     | 33                         | 7.6               | 0.24                 | 530          | 910            |
| 5300-20     | 39                         | 7.1               | 0.26                 | 480          | 880            |
| 5300-21     | 47                         | 6.0               | 0.35                 | 430          | 760            |
| 5300-22     | 56                         | 5.8               | 0.47                 | 400          | 650            |
| 5300-23     | 68                         | 4.3               | 0.53                 | 370          | 610            |
| 5300-24     | 82                         | 4.1               | 0.60                 | 330          | 580            |
| 5300-25     | 100                        | 3.9               | 0.67                 | 300          | 550            |
| 5300-26     | 120                        | 3.6               | 0.90                 | 270          | 470            |
| 5300-27     | 150                        | 3.2               | 1.2                  | 250          | 410            |
| 5300-28     | 180                        | 2.8               | 1.4                  | 220          | 380            |
| 5300-29     | 220                        | 2.3               | 1.9                  | 200          | 320            |
| 5300-30     | 270                        | 2.1               | 2.1                  | 180          | 310            |
| 5300-31     | 330                        | 1.9               | 2.4                  | 170          | 290            |
| 5300-32     | 390                        | 1.7               | 3.0                  | 150          | 260            |
| 5300-33     | 470                        | 1.4               | 3.4                  | 140          | 240            |
| 5300-34     | 560                        | 1.3               | 4.7                  | 130          | 210            |
| 5300-35     | 680                        | 1.2               | 6.4                  | 110          | 180            |
| 5300-36     | 820                        | 1.1               | 7.1                  | 100          | 170            |
| 5300-37     | 1000                       | 1.0               | 7.9                  | 95           | 160            |
| 5300-38     | 1200                       | 0.94              | 9.0                  | 87           | 150            |
| 5300-39     | 1500                       | 0.76              | 12.0                 | 78           | 130            |
| 5300-40     | 1800                       | 0.72              | 14.0                 | 71           | 120            |
| 5300-41     | 2200                       | 0.64              | 19.0                 | 64           | 100            |
| 5300-42     | 2700                       | 0.56              | 25.0                 | 58           | 90             |
| 5300-43     | 3300                       | 0.53              | 29.0                 | 52           | 83             |
| 5300-44     | 3900                       | 0.48              | 34.0                 | 48           | 77             |
| 5300-45     | 4700                       | 0.45              | 37.0                 | 44           | 74             |
| 5300-46     | 5600                       | 0.40              | 50.0                 | 40           | 63             |
| 5300-47     | 6800                       | 0.36              | 58.0                 | 36           | 59             |
| 5300-48     | 8200                       | 0.29              | 68.0                 | 33           | 54             |
| 5300-49     | 10,000                     | 0.27              | 75.0                 | 30           | 52             |

For RoHS compliant version, add "-RC" to part number.

**BOURNS®**

Tel. (877) 426-8767 • Fax (951) 781-5006

www.bourns.com

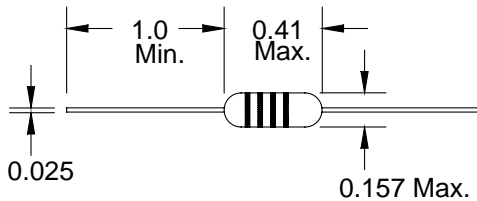
# Conformal Coated RF Chokes

## Special Features

- High current, Q & self resonant frequency
- Low DCR
- Ferrite bobbin core
- Epoxy coated to protect winding from harsh environments
- Low cost
- Color bands identification (Per EIA Standard)
- Dielectric strength 500 Vrms
- Operating temperature -55 to +105 °C

## Notes

\* Current to cause 35 °C max. temperature rise



Dimensions: Inches

| 77F Series  |                 |           |                     |                      |                  |                  |
|-------------|-----------------|-----------|---------------------|----------------------|------------------|------------------|
| Part Number | L (μH)<br>±10 % | Q<br>Min. | Test Freq.<br>(MHz) | SRF<br>(MHz)<br>Min. | DCR<br>Ω<br>Max. | I, (mA)*<br>Max. |
| 77F1R0K-RC  | 1.0             | 45        | 25.2                | 157                  | 0.17             | 920              |
| 77F1R2K-RC  | 1.2             | 50        | 7.96                | 144                  | 0.21             | 880              |
| 77F1R5K-RC  | 1.5             | 50        | 7.96                | 131                  | 0.23             | 830              |
| 77F1R8K-RC  | 1.8             | 55        | 7.96                | 121                  | 0.25             | 790              |
| 77F2R2K-RC  | 2.2             | 55        | 7.96                | 110                  | 0.28             | 750              |
| 77F2R7K-RC  | 2.7             | 60        | 7.96                | 100                  | 0.30             | 720              |
| 77F3R3K-RC  | 3.3             | 65        | 7.96                | 94                   | 0.34             | 670              |
| 77F3R9K-RC  | 3.9             | 65        | 7.96                | 86                   | 0.37             | 640              |
| 77F4R7K-RC  | 4.7             | 70        | 7.96                | 80                   | 0.39             | 620              |
| 77F5R6K-RC  | 5.6             | 70        | 7.96                | 74                   | 0.43             | 590              |
| 77F6R8K-RC  | 6.8             | 75        | 7.96                | 68                   | 0.48             | 550              |
| 77F8R2K-RC  | 8.2             | 80        | 7.96                | 53                   | 0.52             | 530              |
| 77F100K-RC  | 10              | 85        | 7.96                | 45                   | 0.58             | 500              |
| 77F120K-RC  | 12              | 75        | 2.52                | 34                   | 0.63             | 480              |
| 77F150K-RC  | 15              | 70        | 2.52                | 20                   | 0.72             | 460              |
| 77F180K-RC  | 18              | 65        | 2.52                | 14                   | 0.77             | 430              |
| 77F220K-RC  | 22              | 60        | 2.52                | 9.9                  | 0.84             | 410              |
| 77F270K-RC  | 27              | 55        | 2.52                | 7.6                  | 0.94             | 390              |
| ±5 %        |                 |           |                     |                      |                  |                  |
| 77F330J-RC  | 33              | 55        | 2.52                | 6.3                  | 1.03             | 370              |
| 77F390J-RC  | 39              | 50        | 2.52                | 6.3                  | 1.12             | 350              |
| 77F470J-RC  | 47              | 45        | 2.52                | 6.3                  | 1.22             | 340              |
| 77F560J-RC  | 56              | 40        | 2.52                | 6.2                  | 1.34             | 320              |
| 77F680J-RC  | 68              | 40        | 2.52                | 5.7                  | 1.47             | 305              |
| 77F820J-RC  | 82              | 35        | 2.52                | 5.3                  | 1.62             | 290              |
| 77F101J-RC  | 100             | 30        | 0.796               | 4.8                  | 1.80             | 275              |
| 77F120J-RC  | 120             | 70        | 0.796               | 3.8                  | 3.70             | 185              |
| 77F151J-RC  | 150             | 70        | 0.796               | 3.5                  | 4.20             | 175              |
| 77F181J-RC  | 180             | 70        | 0.796               | 3.3                  | 4.60             | 165              |
| 77F221J-RC  | 220             | 70        | 0.796               | 3.0                  | 5.10             | 155              |
| 77F271J-RC  | 270             | 65        | 0.796               | 2.8                  | 5.80             | 145              |
| 77F331J-RC  | 330             | 65        | 0.796               | 2.6                  | 6.40             | 137              |
| 77F391J-RC  | 390             | 65        | 0.796               | 2.4                  | 7.00             | 133              |
| 77F471J-RC  | 470             | 60        | 0.796               | 2.25                 | 7.70             | 126              |
| 77F561J-RC  | 560             | 60        | 0.796               | 2.1                  | 8.50             | 120              |
| 77F681J-RC  | 680             | 55        | 0.796               | 1.95                 | 9.40             | 113              |
| 77F821J-RC  | 820             | 55        | 0.796               | 1.85                 | 10.5             | 105              |
| 77F102J-RC  | 1000            | 50        | 0.796               | 1.40                 | 14.0             | 100              |

Only available as RoHS compliant.

**BOURNS®**

Tel. (877) 426-8767 • Fax (951) 781-5006

[www.bourns.com](http://www.bourns.com)

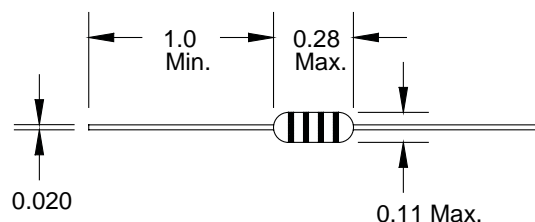
## Conformal Coated RF Chokes

### Special Features

- High Q & self resonant frequency
- Low DCR
- Ferrite bobbin core
- Epoxy coated to protect winding form harsh environments
- Low cost
- Color bands identification (Per EIA Standard)
- Dielectric strength 500 Vrms
- Operating temperature -55 to +105 °C

### Notes

- \* Current to cause 35 °C max. temperature rise



Dimensions: Inches

| 78F Series  |                 |           |                     |                      |                  |                |
|-------------|-----------------|-----------|---------------------|----------------------|------------------|----------------|
| Part Number | L (μH)<br>±20 % | Q<br>Min. | Test Freq.<br>(MHz) | SRF<br>(MHz)<br>Min. | DCR<br>Ω<br>Max. | I, DC*<br>(mA) |
| 78FR033M-RC | 0.033           | 50        | 50                  | 400                  | 0.02             | 500            |
| 78FR10M-RC  | 0.10            | 40        | 25                  | 400                  | 0.06             | 500            |
| 78FR12M-RC  | 0.12            | 40        | 25                  | 400                  | 0.06             | 500            |
| 78FR15M-RC  | 0.15            | 40        | 25                  | 400                  | 0.07             | 500            |
| 78FR18M-RC  | 0.18            | 40        | 25                  | 400                  | 0.08             | 450            |
| ±10 %       |                 |           |                     |                      |                  |                |
| 78FR22K-RC  | 0.22            | 40        | 25                  | 380                  | 0.08             | 1025           |
| 78FR27K-RC  | 0.27            | 40        | 25                  | 360                  | 0.08             | 950            |
| 78FR33K-RC  | 0.33            | 40        | 25                  | 350                  | 0.08             | 815            |
| 78FR39K-RC  | 0.39            | 40        | 25                  | 320                  | 0.09             | 700            |
| 78FR47K-RC  | 0.47            | 40        | 25                  | 330                  | 0.10             | 650            |
| 78FR56K-RC  | 0.56            | 40        | 25                  | 280                  | 0.11             | 545            |
| 78FR68K-RC  | 0.68            | 40        | 25                  | 250                  | 0.12             | 495            |
| 78FR82K-RC  | 0.82            | 40        | 25                  | 200                  | 0.12             | 415            |
| 78F1R0K-RC  | 1.0             | 40        | 25                  | 180                  | 0.15             | 385            |
| 78F1R2K-RC  | 1.2             | 40        | 7.9                 | 165                  | 0.18             | 590            |
| 78F1R5K-RC  | 1.5             | 45        | 7.9                 | 150                  | 0.20             | 535            |
| 78F1R8K-RC  | 1.8             | 50        | 7.9                 | 125                  | 0.25             | 455            |
| 78F2R2K-RC  | 2.2             | 50        | 7.9                 | 110                  | 0.28             | 395            |
| 78F2R7K-RC  | 2.7             | 50        | 7.9                 | 95                   | 0.30             | 355            |
| ±5 %        |                 |           |                     |                      |                  |                |
| 78F3R3J-RC  | 3.3             | 50        | 7.9                 | 70                   | 0.34             | 270            |
| 78F3R9J-RC  | 3.9             | 45        | 7.9                 | 65                   | 0.32             | 250            |
| 78F4R7J-RC  | 4.7             | 45        | 7.9                 | 50                   | 0.35             | 230            |
| 78F5R6J-RC  | 5.6             | 45        | 7.9                 | 40                   | 0.40             | 185            |
| 78F6R8J-RC  | 6.8             | 40        | 7.9                 | 30                   | 0.45             | 175            |
| 78F8R2J-RC  | 8.2             | 40        | 7.9                 | 28                   | 0.55             | 155            |
| 78F100J-RC  | 10              | 40        | 7.9                 | 22                   | 0.72             | 130            |
| 78F120J-RC  | 12              | 45        | 2.5                 | 20                   | 0.80             | 155            |
| 78F150J-RC  | 15              | 50        | 2.5                 | 16                   | 0.88             | 150            |
| 78F180J-RC  | 18              | 50        | 2.5                 | 15                   | 1.00             | 145            |
| 78F220J-RC  | 22              | 50        | 2.5                 | 13                   | 1.20             | 140            |
| 78F270J-RC  | 27              | 50        | 2.5                 | 11                   | 1.35             | 135            |
| 78F330J-RC  | 33              | 50        | 2.5                 | 10                   | 1.50             | 195            |
| 78F390J-RC  | 39              | 50        | 2.5                 | 9.5                  | 1.70             | 185            |
| 78F470J-RC  | 47              | 60        | 2.5                 | 8.5                  | 2.30             | 167            |
| 78F560J-RC  | 56              | 60        | 2.5                 | 7.5                  | 2.60             | 150            |
| 78F680J-RC  | 68              | 60        | 2.5                 | 6.5                  | 2.90             | 137            |
| 78F820J-RC  | 82              | 60        | 2.5                 | 6.0                  | 3.20             | 132            |
| 78F101J-RC  | 100             | 60        | 2.5                 | 5.5                  | 3.50             | 125            |
| 78F121J-RC  | 120             | 60        | 0.79                | 5.4                  | 3.80             | 100            |
| 78F151J-RC  | 150             | 60        | 0.79                | 4.7                  | 4.40             | 90             |
| 78F181J-RC  | 180             | 60        | 0.79                | 4.3                  | 5.00             | 84             |
| 78F221J-RC  | 220             | 60        | 0.79                | 4.0                  | 5.70             | 76             |
| 78F271J-RC  | 270             | 60        | 0.79                | 3.7                  | 6.50             | 70             |
| 78F331J-RC  | 330             | 60        | 0.79                | 3.4                  | 9.50             | 65             |
| 78F391J-RC  | 390             | 60        | 0.79                | 2.8                  | 10.5             | 60             |
| 78F471J-RC  | 470             | 60        | 0.79                | 2.5                  | 11.6             | 53             |
| 78F561J-RC  | 560             | 60        | 0.79                | 2.3                  | 13.0             | 51             |
| 78F681J-RC  | 680             | 60        | 0.79                | 2.0                  | 18.0             | 45             |
| 78F821J-RC  | 820             | 60        | 0.79                | 1.5                  | 23.0             | 43             |
| 78F102J-RC  | 1000            | 60        | 0.79                | 1.2                  | 26.0             | 41             |

Only available as RoHS compliant.

**BOURNS®**

Tel. (877) 426-8767 • Fax (951) 781-5006

www.bourns.com

## Conformal Coated RF Chokes

### Special Features

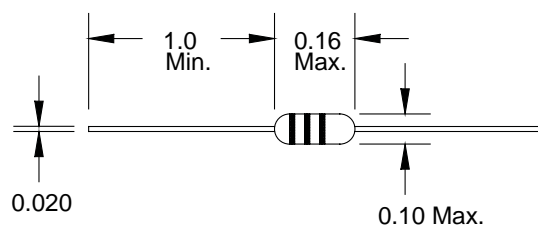
- Subminiature size
- High Q
- High self resonant frequency
- Ferrite bobbin core
- Epoxy coating
- Low cost
- Color bands identification (Per EIA STD)
- Dielectric strength 500 Vrms
- Operating temperature: -55 to +105 °C

### Typical Applications

- Computers
- Computer peripherals
- TVs, VCRs and DVDs
- EMI filters

### Notes

\* Rated Idc causes 35 °C temperature rise



Dimensions: Inches

| 79F Series  |                 |           |                     |                      |                  |                |
|-------------|-----------------|-----------|---------------------|----------------------|------------------|----------------|
| Part Number | L (μH)<br>±20 % | Q<br>Min. | Test Freq.<br>(MHz) | SRF<br>(MHz)<br>Min. | DCR<br>Ω<br>Max. | I, DC*<br>(mA) |
| 79FR10M-RC  | 0.10            | 35        | 25                  | 300                  | 0.18             | 700            |
| 79FR12M-RC  | 0.12            | 35        | 25                  | 300                  | 0.20             | 660            |
| 79FR15M-RC  | 0.15            | 35        | 25                  | 300                  | 0.22             | 620            |
| 79FR18M-RC  | 0.18            | 35        | 25                  | 300                  | 0.24             | 600            |
| 79FR22M-RC  | 0.22            | 35        | 25                  | 150                  | 0.40             | 400            |
| 79FR27M-RC  | 0.27            | 35        | 25                  | 150                  | 0.43             | 380            |
| 79FR33M-RC  | 0.33            | 35        | 25                  | 150                  | 0.48             | 370            |
| 79FR39M-RC  | 0.39            | 35        | 25                  | 150                  | 0.51             | 350            |
| 79FR47M-RC  | 0.47            | 35        | 25                  | 150                  | 0.56             | 330            |
| 79FR56M-RC  | 0.56            | 35        | 25                  | 150                  | 0.61             | 320            |
| 79FR68M-RC  | 0.68            | 35        | 25                  | 150                  | 0.67             | 310            |
| 79FR82M-RC  | 0.82            | 35        | 25                  | 150                  | 0.74             | 290            |
| ± 10 %      |                 |           |                     |                      |                  |                |
| 79F1R0K-RC  | 1.0             | 35        | 25                  | 150                  | 0.80             | 270            |
| 79F1R2K-RC  | 1.2             | 40        | 7.9                 | 110                  | 0.90             | 260            |
| 79F1R5K-RC  | 1.5             | 40        | 7.9                 | 70                   | 1.0              | 250            |
| 79F1R8K-RC  | 1.8             | 40        | 7.9                 | 60                   | 1.1              | 240            |
| 79F2R2K-RC  | 2.2             | 40        | 7.9                 | 45                   | 1.2              | 230            |
| 79F2R7K-RC  | 2.7             | 40        | 7.9                 | 40                   | 1.3              | 220            |
| 79F3R3K-RC  | 3.3             | 40        | 7.9                 | 38                   | 1.4              | 210            |
| 79F3R9K-RC  | 3.9             | 40        | 7.9                 | 36                   | 1.5              | 200            |
| 79F4R7K-RC  | 4.7             | 40        | 7.9                 | 30                   | 1.7              | 190            |
| 79F5R6K-RC  | 5.6             | 40        | 7.9                 | 28                   | 1.9              | 180            |
| 79F6R8K-RC  | 6.8             | 40        | 7.9                 | 26                   | 2.0              | 175            |
| 79F8R2K-RC  | 8.2             | 40        | 7.9                 | 24                   | 2.2              | 165            |
| 79F100K-RC  | 10              | 40        | 2.5                 | 22                   | 2.4              | 160            |
| 79F120K-RC  | 12              | 40        | 2.5                 | 20                   | 2.5              | 150            |
| 79F150K-RC  | 15              | 40        | 2.5                 | 18                   | 2.8              | 145            |
| 79F180K-RC  | 18              | 40        | 2.5                 | 17                   | 3.1              | 140            |
| 79F220K-RC  | 22              | 40        | 2.5                 | 16                   | 3.4              | 100            |
| 79F270K-RC  | 27              | 40        | 2.5                 | 14                   | 4.3              | 80             |
| 79F330K-RC  | 33              | 40        | 2.5                 | 13.5                 | 4.7              | 75             |
| 79F390K-RC  | 39              | 40        | 2.5                 | 13                   | 5.2              | 74             |
| 79F470K-RC  | 47              | 40        | 2.5                 | 12                   | 5.8              | 70             |
| 79F560K-RC  | 56              | 40        | 2.5                 | 11                   | 6.4              | 68             |
| 79F680K-RC  | 68              | 40        | 2.5                 | 10                   | 7.2              | 64             |
| 79F820K-RC  | 82              | 40        | 2.5                 | 9.5                  | 11               | 46             |
| 79F101K-RC  | 100             | 40        | 2.5                 | 9                    | 12               | 44             |
| 79F121K-RC  | 120             | 40        | 0.79                | 8                    | 13               | 42             |
| 79F151K-RC  | 150             | 40        | 0.79                | 6                    | 16               | 39             |
| 79F181K-RC  | 180             | 40        | 0.79                | 5                    | 18               | 37             |
| 79F221K-RC  | 220             | 40        | 0.79                | 5                    | 20               | 35             |
| 79F271K-RC  | 270             | 40        | 0.79                | 4.6                  | 25               | 25             |
| 79F331K-RC  | 330             | 40        | 0.79                | 4.2                  | 30               | 25             |
| 79F391K-RC  | 390             | 40        | 0.79                | 3.8                  | 34               | 25             |
| 79F471K-RC  | 470             | 40        | 0.79                | 3.5                  | 38               | 24             |

Only available as RoHS compliant.

**BOURNS®**

Tel. (877) 426-8767 • Fax (951) 781-5006

[www.bourns.com](http://www.bourns.com)

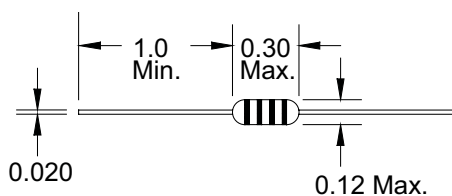
# Conformal Coated RF Chokes

## Special Features

- High Q & self resonant frequency
- Low DCR
- Epoxy coated to protect winding from harsh environments
- Low cost
- Color bands identification
- Dielectric strength 500 Vrms
- Operating temperature -55 to +105 °C
- RoHS compliant

## Notes

\* Current to cause 35 °C max. temperature rise



Dimensions: Inches

| 8230 Series |                 |           |                     |                      |                  |                |               |
|-------------|-----------------|-----------|---------------------|----------------------|------------------|----------------|---------------|
| Part Number | L (μH)<br>±10 % | Q<br>Min. | Test Freq.<br>(MHz) | SRF<br>(MHz)<br>Min. | DCR<br>Ω<br>Max. | I, DC*<br>(mA) | Core Material |
| 8230-94-RC  | 0.10            | 40        | 25                  | 690                  | 0.07             | 1100           | Phenolic      |
| 8230-96-RC  | 0.12            | 40        | 25                  | 650                  | 0.08             | 1100           | Phenolic      |
| 8230-00-RC  | 0.15            | 38        | 25                  | 600                  | 0.10             | 1100           | Phenolic      |
| 8230-02-RC  | 0.18            | 35        | 25                  | 550                  | 0.12             | 1010           | Phenolic      |
| 8230-04-RC  | 0.22            | 33        | 25                  | 510                  | 0.14             | 935            | Phenolic      |
| 8230-06-RC  | 0.27            | 33        | 25                  | 430                  | 0.16             | 875            | Phenolic      |
| 8230-08-RC  | 0.33            | 30        | 25                  | 410                  | 0.20             | 780            | Phenolic      |
| 8230-10-RC  | 0.39            | 30        | 25                  | 380                  | 0.30             | 640            | Phenolic      |
| 8230-12-RC  | 0.47            | 30        | 25                  | 340                  | 0.35             | 590            | Phenolic      |
| 8230-14-RC  | 0.56            | 30        | 25                  | 300                  | 0.50             | 495            | Phenolic      |
| 8230-16-RC  | 0.68            | 28        | 25                  | 275                  | 0.60             | 450            | Phenolic      |
| 8230-18-RC  | 0.82            | 28        | 25                  | 250                  | 0.85             | 380            | Phenolic      |
| 8230-20-RC  | 1.0             | 25        | 25                  | 230                  | 1.0              | 350            | Phenolic      |
| 8230-22-RC  | 1.2             | 25        | 7.9                 | 150                  | 0.18             | 825            | Iron          |
| 8230-24-RC  | 1.5             | 28        | 7.9                 | 140                  | 0.22             | 745            | Iron          |
| 8230-26-RC  | 1.8             | 30        | 7.9                 | 125                  | 0.30             | 640            | Iron          |
| 8230-28-RC  | 2.2             | 30        | 7.9                 | 115                  | 0.40             | 550            | Iron          |
| 8230-30-RC  | 2.7             | 37        | 7.9                 | 100                  | 0.50             | 495            | Iron          |
| 8230-32-RC  | 3.3             | 45        | 7.9                 | 90                   | 0.85             | 380            | Iron          |
| 8230-34-RC  | 3.9             | 45        | 7.9                 | 82                   | 1.0              | 350            | Iron          |
| 8230-36-RC  | 4.7             | 45        | 7.9                 | 75                   | 1.2              | 320            | Iron          |
| 8230-38-RC  | 5.6             | 50        | 7.9                 | 68                   | 1.8              | 260            | Iron          |
| 8230-40-RC  | 6.8             | 50        | 7.9                 | 60                   | 2.0              | 245            | Iron          |
| 8230-42-RC  | 8.2             | 55        | 7.9                 | 55                   | 2.7              | 210            | Iron          |
| 8230-44-RC  | 10              | 55        | 7.9                 | 50                   | 3.7              | 180            | Ferrite       |
| 8230-46-RC  | 12              | 45        | 2.5                 | 40                   | 2.7              | 210            | Ferrite       |
| 8230-48-RC  | 15              | 45        | 2.5                 | 35                   | 2.8              | 205            | Ferrite       |
| 8230-50-RC  | 18              | 50        | 2.5                 | 32                   | 3.1              | 195            | Ferrite       |
| 8230-52-RC  | 22              | 50        | 2.5                 | 25                   | 3.3              | 190            | Ferrite       |
| 8230-54-RC  | 27              | 50        | 2.5                 | 22                   | 3.5              | 185            | Ferrite       |
| 8230-56-RC  | 33              | 45        | 2.5                 | 24                   | 3.4              | 187            | Ferrite       |
| 8230-58-RC  | 39              | 45        | 2.5                 | 22                   | 3.6              | 180            | Ferrite       |
| 8230-60-RC  | 47              | 45        | 2.5                 | 20                   | 4.5              | 165            | Ferrite       |
| 8230-62-RC  | 56              | 45        | 2.5                 | 18                   | 5.7              | 145            | Ferrite       |
| 8230-64-RC  | 68              | 50        | 2.5                 | 15                   | 6.7              | 135            | Ferrite       |
| 8230-66-RC  | 82              | 50        | 2.5                 | 14                   | 7.3              | 130            | Ferrite       |
| 8230-68-RC  | 100             | 50        | 2.5                 | 13                   | 8.0              | 125            | Ferrite       |
| 8230-70-RC  | 120             | 30        | 0.79                | 12                   | 13               | 97             | Ferrite       |
| 8230-72-RC  | 150             | 30        | 0.79                | 11                   | 15               | 85             | Ferrite       |
| 8230-74-RC  | 180             | 30        | 0.79                | 10                   | 17               | 79             | Ferrite       |
| 8230-76-RC  | 220             | 30        | 0.79                | 9                    | 21               | 73             | Ferrite       |
| 8230-78-RC  | 270             | 30        | 0.79                | 8                    | 25               | 65             | Ferrite       |
| 8230-80-RC  | 330             | 30        | 0.79                | 7                    | 28               | 62             | Ferrite       |
| 8230-82-RC  | 390             | 30        | 0.79                | 6.5                  | 35               | 55             | Ferrite       |
| 8230-84-RC  | 470             | 30        | 0.79                | 6                    | 42               | 50             | Ferrite       |
| 8230-86-RC  | 560             | 30        | 0.79                | 5                    | 46               | 48             | Ferrite       |
| 8230-88-RC  | 680             | 30        | 0.79                | 4.2                  | 60               | 42             | Ferrite       |
| 8230-90-RC  | 820             | 30        | 0.79                | 3.8                  | 65               | 40             | Ferrite       |
| 8230-92-RC  | 1000            | 30        | 0.79                | 3.4                  | 72               | 38             | Ferrite       |

Only available as RoHS compliant.

**BOURNS®**

Tel. (877) 426-8767 • Fax (951) 781-5006

www.bourns.com



**BOURNS®**

Tel. (877) 426-8767 • Fax (951) 781-5006

[www.bourns.com](http://www.bourns.com)

# Shielded RF Chokes

## Special Features

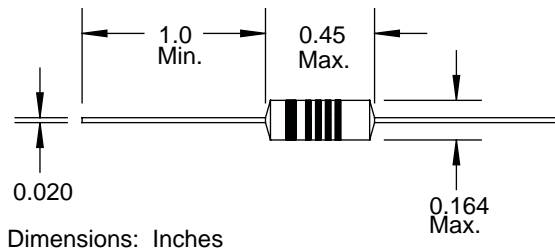
- Ferrite magnetic shielded for low radiation
- High Q, high reliability
- Epoxy end-fill to protect coil from extreme environments
- Consistent body diameter
- Dielectric strength 500 Vrms
- Operating temperature: -55 to +105 °C
- Color banded per MIL STD

## Typical Applications

- Telecommunications
- Signal processing
- High reliability, low magnetic coupling and densely packed board design

## Notes

- \* Rated current to cause 35 °C temperature rise
- \*\* Incremental current to cause 5 % inductance



| 8250 Series |                 |           |                |               |           |        |            |
|-------------|-----------------|-----------|----------------|---------------|-----------|--------|------------|
| Part Number | L (μH)<br>±10 % | Q<br>Min. | Test           | SRF           | DCR       | I, DC* | I, Incr.** |
|             |                 |           | Freq.<br>(MHz) | (MHz)<br>Min. | Ω<br>Max. | (mA)   | (mA)       |
| 8250-R10K   | 0.10            | 50        | 25.0           | 400           | 0.026     | 3000   | 3000       |
| 8250-R12K   | 0.12            | 50        | 25.0           | 400           | 0.029     | 2860   | 2860       |
| 8250-R15K   | 0.15            | 50        | 25.0           | 400           | 0.034     | 2600   | 2600       |
| 8250-R18K   | 0.18            | 50        | 25.0           | 400           | 0.044     | 2300   | 2300       |
| 8250-R22K   | 0.22            | 50        | 25.0           | 400           | 0.056     | 2050   | 2050       |
| 8250-R27K   | 0.27            | 50        | 25.0           | 400           | 0.09      | 1625   | 1625       |
| 8250-R33K   | 0.33            | 47        | 25.0           | 325           | 0.122     | 1400   | 1400       |
| 8250-R39K   | 0.39            | 47        | 25.0           | 390           | 0.161     | 1220   | 1220       |
| 8250-R47K   | 0.47            | 47        | 25.0           | 264           | 0.218     | 1060   | 1060       |
| 8250-R56K   | 0.56            | 45        | 25.0           | 249           | 0.29      | 900    | 900        |
| 8250-R68K   | 0.68            | 43        | 25.0           | 221           | 0.382     | 790    | 790        |
| 8250-R82K   | 0.82            | 41        | 25.0           | 200           | 0.45      | 725    | 725        |
| 8250-1R0K   | 1.0             | 42        | 25.0           | 156           | 0.054     | 2080   | 2080       |
| 8250-1R2K   | 1.2             | 43        | 7.9            | 144           | 0.07      | 1840   | 1840       |
| 8250-1R5K   | 1.5             | 41        | 7.9            | 128           | 0.096     | 1560   | 1560       |
| 8250-1R8K   | 1.8             | 42        | 7.9            | 121           | 0.107     | 1480   | 1480       |
| 8250-2R2K   | 2.2             | 42        | 7.9            | 108           | 0.142     | 1290   | 1290       |
| 8250-2R7K   | 2.7             | 41        | 7.9            | 96            | 0.184     | 1130   | 1130       |
| 8250-3R3K   | 3.3             | 41        | 7.9            | 88            | 0.26      | 950    | 950        |
| 8250-3R9K   | 3.9             | 41        | 7.9            | 84            | 0.354     | 815    | 815        |
| 8250-4R7K   | 4.7             | 42        | 7.9            | 72            | 0.168     | 710    | 710        |
| 8250-5R6K   | 5.6             | 42        | 7.9            | 69            | 0.511     | 680    | 680        |
| 8250-6R8K   | 6.8             | 42        | 7.9            | 62            | 0.75      | 560    | 560        |
| 8250-8R2K   | 8.2             | 46        | 7.9            | 58            | 0.828     | 535    | 535        |
| 8250-100K   | 10              | 46        | 7.9            | 53            | 1.27      | 532    | 532        |
| 8250-120K   | 12              | 50        | 2.5            | 47            | 1.76      | 368    | 368        |
| 8250-150K   | 15              | 50        | 2.5            | 41            | 2.3       | 325    | 325        |
| 8250-180K   | 18              | 50        | 2.5            | 43            | 0.677     | 596    | 235        |
| 8250-220K   | 22              | 50        | 2.5            | 38            | 0.742     | 565    | 220        |
| 8250-270K   | 27              | 50        | 2.5            | 36            | 0.85      | 526    | 200        |
| 8250-330K   | 33              | 50        | 2.5            | 33            | 0.928     | 505    | 190        |
| 8250-390K   | 39              | 50        | 2.5            | 29.4          | 1.28      | 429    | 180        |
| 8250-470K   | 47              | 55        | 2.5            | 26.5          | 1.48      | 400    | 175        |
| 8250-560K   | 56              | 55        | 2.5            | 25            | 1.64      | 380    | 160        |
| 8250-680K   | 68              | 55        | 2.5            | 23            | 2.2       | 328    | 150        |
| 8250-820K   | 82              | 55        | 2.5            | 14            | 1.96      | 349    | 140        |
| 8250-101K   | 100             | 65        | 2.5            | 12            | 2.28      | 322    | 120        |
| 8250-121K   | 120             | 65        | 0.79           | 11.2          | 2.45      | 311    | 95         |
| 8250-151K   | 150             | 65        | 0.79           | 10.5          | 2.79      | 294    | 90         |
| 8250-181K   | 180             | 65        | 0.79           | 10            | 3.08      | 277    | 85         |
| 8250-221K   | 220             | 65        | 0.79           | 9.4           | 3.48      | 251    | 80         |
| 8250-271K   | 270             | 65        | 0.79           | 8             | 4.55      | 231    | 70         |
| 8250-331K   | 330             | 65        | 0.79           | 7.3           | 5.1       | 215    | 65         |
| 8250-391K   | 390             | 65        | 0.79           | 6.9           | 5.62      | 205    | 60         |
| 8250-471K   | 470             | 70        | 0.79           | 6.5           | 6.45      | 192    | 58         |
| 8250-561K   | 560             | 70        | 0.79           | 6             | 8.0       | 174    | 55         |
| 8250-681K   | 680             | 75        | 0.79           | 5.6           | 8.85      | 163    | 50         |
| 8250-821K   | 820             | 70        | 0.79           | 4.8           | 10.4      | 151    | 45         |

For RoHS compliant version, add "-RC" to part number.

Continued next page.

# Shielded RF Chokes

## Special Features

- Ferrite magnetic shielded for low radiation
- High Q, high reliability
- Epoxy end-fill to protect coil from extreme environments
- Consistent body diameter
- Dielectric strength 500 Vrms
- Operating temperature: -55 to +105 °C
- Color banded per MIL STD

## Typical Applications

- Telecommunications
- Signal processing
- High reliability, low magnetic coupling and densely packed board design

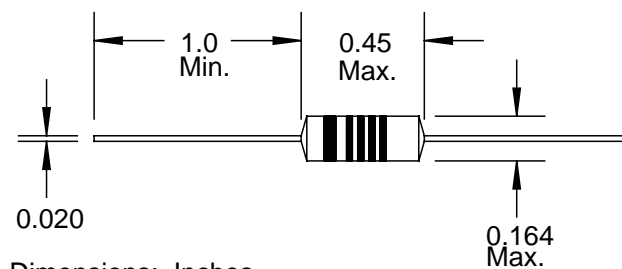
## Notes

\* Rated current to cause 35 °C temperature rise

\*\* Incremental current to cause 5 % inductance

| 8250 Series cont. |                 |           |                     |                      |                  |                |                    |
|-------------------|-----------------|-----------|---------------------|----------------------|------------------|----------------|--------------------|
| Part Number       | L (μH)<br>±10 % | Q<br>Min. | Test Freq.<br>(MHz) | SRF<br>(MHz)<br>Min. | DCR<br>Ω<br>Max. | I, DC*<br>(mA) | I, Incr.**<br>(mA) |
| 8250-102K         | 1000            | 65        | 0.79                | 4.5                  | 12.1             | 139            | 40                 |
| 8250-122K         | 1200            | 70        | 0.25                | 2.6                  | 15.1             | 125            | 35                 |
| 8250-152K         | 1500            | 70        | 0.25                | 2.5                  | 16.8             | 119            | 33                 |
| 8250-182K         | 1800            | 70        | 0.25                | 2.3                  | 19.1             | 111            | 30                 |
| 8250-222K         | 2200            | 70        | 0.25                | 2.2                  | 22.0             | 103            | 27                 |
| 8250-272K         | 2700            | 70        | 0.25                | 2.1                  | 25.1             | 97             | 25                 |
| 8250-332K         | 3300            | 70        | 0.25                | 2                    | 33.3             | 85             | 22                 |
| 8250-392K         | 3900            | 70        | 0.25                | 1.8                  | 36.8             | 80             | 20                 |
| 8250-472K         | 4700            | 70        | 0.25                | 1.7                  | 51.2             | 68             | 19                 |
| 8250-562K         | 5600            | 70        | 0.25                | 1.6                  | 54.6             | 66             | 17                 |
| 8250-682K         | 6800            | 70        | 0.25                | 1.5                  | 62.0             | 62             | 16                 |
| 8250-822K         | 8200            | 70        | 0.25                | 1.4                  | 86.6             | 52             | 15                 |
| 8250-103K         | 10,000          | 70        | 0.25                | 1.3                  | 93.1             | 50             | 14                 |
| 8250-123K         | 12,000          | 50        | 0.079               | 0.88                 | 84.0             | 53             | 13                 |
| 8250-153K         | 15,000          | 50        | 0.079               | 0.78                 | 97.0             | 49             | 12                 |
| 8250-183K         | 18,000          | 50        | 0.079               | 0.72                 | 104.0            | 48             | 10                 |
| 8250-223K         | 22,000          | 50        | 0.079               | 0.57                 | 145.0            | 40             | 9                  |
| 8250-273K         | 27,000          | 50        | 0.079               | 0.46                 | 195.0            | 34             | 8                  |
| 8250-333K         | 33,000          | 50        | 0.079               | 0.42                 | 222.0            | 32             | 7.5                |
| 8250-393K         | 39,000          | 50        | 0.079               | 0.42                 | 242.0            | 31             | 6                  |
| 8250-473K         | 47,000          | 50        | 0.079               | 0.37                 | 317.0            | 27             | 5.5                |
| 8250-563K         | 56,000          | 50        | 0.079               | 0.36                 | 362.0            | 25             | 5                  |
| 8250-683K         | 68,000          | 50        | 0.079               | 0.35                 | 410.0            | 24             | 4                  |
| 8250-823K         | 82,000          | 50        | 0.079               | 0.34                 | 440.0            | 23             | 3.5                |
| 8250-104K         | 100,000         | 50        | 0.079               | 0.32                 | 484.0            | 22             | 3                  |

For RoHS compliant version, add "-RC" to part number.



**BOURNS®**

Tel. (877) 426-8767 • Fax (951) 781-5006

www.bourns.com



# Molded Chokes

## Special Features

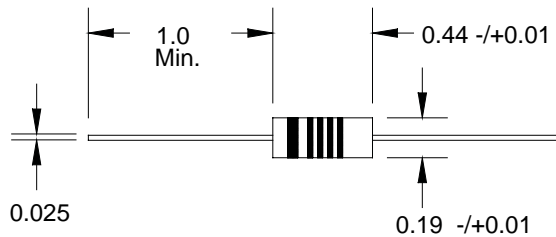
- High Q, high reliability
- Iron or ferrite core
- Injection molded to protect coil from extreme environments
- Flame retardant coating
- Consistent body dimension
- Color band or numerical marking identification
- Dielectric strength 1000 Vrms
- Operating temperature -55 to +105 °C

## Notes

\* Current to cause 35 °C max. temperature rise

| 9220 Series |                |           |                     |                      |                  |                |
|-------------|----------------|-----------|---------------------|----------------------|------------------|----------------|
| Part Number | L (μH)<br>±5 % | Q<br>Min. | Test Freq.<br>(MHz) | SRF<br>(MHz)<br>Min. | DCR<br>Ω<br>Max. | I, DC*<br>(mA) |
| 9220-00     | 270            | 65        | 7.9                 | 5.6                  | 8.2              | 110            |
| 9220-02     | 300            | 65        | 7.9                 | 5.3                  | 8.7              | 107            |
| 9220-04     | 330            | 65        | 7.9                 | 5.0                  | 9.1              | 105            |
| 9220-06     | 360            | 65        | 7.9                 | 4.7                  | 9.6              | 102            |
| 9220-08     | 390            | 65        | 7.9                 | 4.5                  | 10.0             | 100            |
| 9220-10     | 430            | 65        | 7.9                 | 4.3                  | 10.6             | 97             |
| 9220-12     | 470            | 65        | 7.9                 | 4.0                  | 11.1             | 95             |
| 9220-14     | 500            | 65        | 7.9                 | 3.8                  | 11.6             | 93             |
| 9220-15     | 510            | 65        | 7.9                 | 3.8                  | 11.6             | 92             |
| 9220-16     | 560            | 65        | 7.9                 | 3.6                  | 12.3             | 91             |
| 9220-18     | 620            | 60        | 7.9                 | 3.5                  | 13.0             | 88             |
| 9220-20     | 680            | 60        | 7.9                 | 3.4                  | 13.7             | 85             |
| 9220-22     | 750            | 60        | 7.9                 | 3.3                  | 14.4             | 83             |
| 9220-24     | 820            | 60        | 7.9                 | 3.1                  | 15.1             | 81             |
| 9220-26     | 910            | 60        | 7.9                 | 2.9                  | 15.8             | 79             |
| 9220-28     | 1000           | 60        | 7.9                 | 2.8                  | 16.5             | 78             |

For RoHS compliant version, add "-RC" to part number.



Dimensions: Inches

**BOURNS®**

Tel. (877) 426-8767 • Fax (951) 781-5006

[www.bourns.com](http://www.bourns.com)

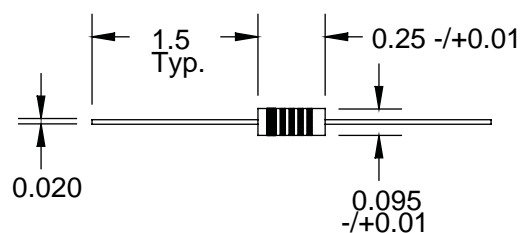
# Molded Chokes

## Special Features

- High Q, high reliability
- Miniature size
- Injection molded to protect coil from extreme environments
- Flame retardant coating
- Consistent body dimension
- Color band or numerical marking identification
- Dielectric strength 1000 Vrms
- Operating temperature: phenolic -55 to +125 °C; iron, ferrite -55° to 105 °C

## Notes

\* Current to cause 35 °C max. temperature rise



Dimensions: Inches

| 9230 Series |                 |           |                     |                      |                  |                |               |
|-------------|-----------------|-----------|---------------------|----------------------|------------------|----------------|---------------|
| Part Number | L (μH)<br>±10 % | Q<br>Min. | Test Freq.<br>(MHz) | SRF<br>(MHz)<br>Min. | DCR<br>Ω<br>Max. | I, DC*<br>(mA) | Core Material |
| 9230-94     | 0.10            | 40        | 25                  | 690                  | 0.07             | 1100           | Phenolic      |
| 9230-96     | 0.12            | 40        | 25                  | 650                  | 0.08             | 1100           | Phenolic      |
| 9230-00     | 0.15            | 38        | 25                  | 600                  | 0.10             | 1100           | Phenolic      |
| 9230-02     | 0.18            | 35        | 25                  | 550                  | 0.12             | 1010           | Phenolic      |
| 9230-04     | 0.22            | 33        | 25                  | 10                   | 0.14             | 935            | Phenolic      |
| 9230-06     | 0.27            | 33        | 25                  | 430                  | 0.16             | 875            | Phenolic      |
| 9230-08     | 0.33            | 30        | 25                  | 410                  | 0.20             | 780            | Phenolic      |
| 9230-10     | 0.39            | 30        | 25                  | 380                  | 0.30             | 640            | Phenolic      |
| 9230-12     | 0.47            | 30        | 25                  | 340                  | 0.35             | 590            | Phenolic      |
| 9230-14     | 0.56            | 30        | 25                  | 300                  | 0.50             | 495            | Phenolic      |
| 9230-16     | 0.68            | 28        | 25                  | 275                  | 0.60             | 450            | Phenolic      |
| 9230-18     | 0.82            | 28        | 25                  | 250                  | 0.85             | 380            | Phenolic      |
| 9230-20     | 1.0             | 25        | 25                  | 230                  | 1.0              | 350            | Phenolic      |
| 9230-22     | 1.2             | 25        | 7.9                 | 150                  | 0.18             | 825            | Iron          |
| 9230-24     | 1.5             | 28        | 7.9                 | 140                  | 0.22             | 745            | Iron          |
| 9230-26     | 1.8             | 30        | 7.9                 | 125                  | 0.30             | 640            | Iron          |
| 9230-28     | 2.2             | 30        | 7.9                 | 115                  | 0.40             | 550            | Iron          |
| 9230-30     | 2.7             | 37        | 7.9                 | 100                  | 0.50             | 495            | Iron          |
| 9230-32     | 3.3             | 45        | 7.9                 | 90                   | 0.85             | 380            | Iron          |
| 9230-34     | 3.9             | 45        | 7.9                 | 82                   | 1.0              | 350            | Iron          |
| 9230-36     | 4.7             | 45        | 7.9                 | 75                   | 1.2              | 320            | Iron          |
| 9230-38     | 5.6             | 50        | 7.9                 | 68                   | 1.8              | 260            | Iron          |
| 9230-40     | 6.8             | 50        | 7.9                 | 60                   | 2.0              | 245            | Iron          |
| 9230-42     | 8.2             | 55        | 7.9                 | 55                   | 2.7              | 210            | Iron          |
| 9230-44     | 10              | 55        | 7.9                 | 50                   | 3.7              | 180            | Iron          |
| 9230-46     | 12              | 45        | 2.5                 | 40                   | 2.7              | 210            | Iron          |
| 9230-48     | 15              | 45        | 2.5                 | 35                   | 2.8              | 205            | Iron          |
| 9230-50     | 18              | 50        | 2.5                 | 32                   | 3.1              | 195            | Iron          |
| 9230-52     | 22              | 50        | 2.5                 | 25                   | 3.3              | 190            | Iron          |
| 9230-54     | 27              | 50        | 2.5                 | 22                   | 3.5              | 185            | Iron          |
| 9230-56     | 33              | 45        | 2.5                 | 24                   | 3.4              | 187            | Ferrite       |
| 9230-58     | 39              | 45        | 2.5                 | 22                   | 3.6              | 180            | Ferrite       |
| 9230-60     | 47              | 45        | 2.5                 | 20                   | 4.5              | 165            | Ferrite       |
| 9230-62     | 56              | 45        | 2.5                 | 18                   | 5.7              | 145            | Ferrite       |
| 9230-64     | 68              | 50        | 2.5                 | 15                   | 6.7              | 135            | Ferrite       |
| 9230-66     | 82              | 50        | 2.5                 | 14                   | 7.3              | 130            | Ferrite       |
| 9230-68     | 100             | 50        | 2.5                 | 13                   | 8.0              | 125            | Ferrite       |
| 9230-70     | 120             | 30        | 0.79                | 12                   | 13               | 97             | Ferrite       |
| 9230-72     | 150             | 30        | 0.79                | 11                   | 15               | 85             | Ferrite       |
| 9230-74     | 180             | 30        | 0.79                | 10                   | 17               | 79             | Ferrite       |
| 9230-76     | 220             | 30        | 0.79                | 9                    | 21               | 73             | Ferrite       |
| 9230-78     | 270             | 30        | 0.79                | 8                    | 25               | 65             | Ferrite       |
| 9230-80     | 330             | 30        | 0.79                | 7                    | 28               | 62             | Ferrite       |
| 9230-82     | 390             | 30        | 0.79                | 6.5                  | 35               | 55             | Ferrite       |
| 9230-84     | 470             | 30        | 0.79                | 6                    | 42               | 50             | Ferrite       |
| 9230-86     | 560             | 30        | 0.79                | 5                    | 46               | 48             | Ferrite       |
| 9230-88     | 680             | 30        | 0.79                | 4.2                  | 60               | 42             | Ferrite       |
| 9230-90     | 820             | 30        | 0.79                | 3.8                  | 65               | 40             | Ferrite       |
| 9230-92     | 1000            | 30        | 0.79                | 3.4                  | 72               | 38             | Ferrite       |

**BOURNS®**

Tel. (877) 426-8767 • Fax (951) 781-5006

[www.bourns.com](http://www.bourns.com)

# Shielded, Molded Chokes

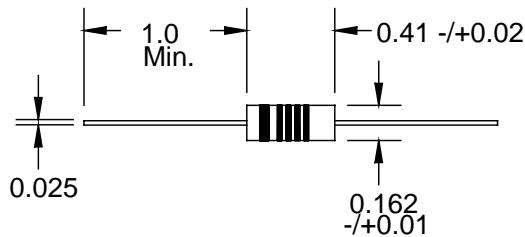
## Special Features

- Ferrite magnetic shielded for low radiation
- High Q, high reliability
- Injection molded to protect coil from extreme environments
- Flame retardant coating
- Consistent body dimension
- Color band or numerical marking identification
- Dielectric strength 1000 Vrms
- Operating temperature -55 to +105 °C

## Notes

- \* Rated current to cause 35 °C max. temperature rise
- \*\* Incremental current to cause 5 % max. inductance drop

**Bourns recommends using the 9250A Series as a replacement for the 9250 Series**



Dimensions: Inches

| 9250 Series |              |        |                  |                |            |             |                 |
|-------------|--------------|--------|------------------|----------------|------------|-------------|-----------------|
| Part Number | L (μH) ±10 % | Q Min. | Test Freq. (MHz) | SRF (MHz) Min. | DCR Ω Max. | I, DC* (mA) | I, Incr.** (mA) |
| 9250-101-RC | 0.10         | 50     | 25               | 250            | 0.025      | 1790        | 1790            |
| 9250-121-RC | 0.12         | 51     | 25               | 250            | 0.034      | 1530        | 1530            |
| 9250-151-RC | 0.15         | 51     | 25               | 250            | 0.037      | 1470        | 1470            |
| 9250-181-RC | 0.18         | 50     | 25               | 250            | 0.047      | 1300        | 1300            |
| 9250-221-RC | 0.22         | 49     | 25               | 250            | 0.067      | 1100        | 1100            |
| 9250-271-RC | 0.27         | 47     | 25               | 250            | 0.11       | 855         | 855             |
| 9250-331-RC | 0.33         | 46     | 25               | 250            | 0.13       | 780         | 780             |
| 9250-391-RC | 0.39         | 44     | 25               | 250            | 0.18       | 670         | 670             |
| 9250-471-RC | 0.47         | 44     | 25               | 235            | 0.25       | 565         | 565             |
| 9250-561-RC | 0.56         | 43     | 25               | 210            | 0.33       | 490         | 490             |
| 9250-681-RC | 0.68         | 42     | 25               | 190            | 0.45       | 420         | 420             |
| 9250-821-RC | 0.82         | 40     | 25               | 180            | 0.59       | 370         | 370             |
| 9250-102-RC | 1.0          | 44     | 25               | 140            | 0.07       | 1070        | 1070            |
| 9250-122-RC | 1.2          | 44     | 7.9              | 130            | 0.10       | 895         | 895             |
| 9250-152-RC | 1.5          | 44     | 7.9              | 115            | 0.12       | 815         | 815             |
| 9250-182-RC | 1.8          | 44     | 7.9              | 105            | 0.14       | 775         | 775             |
| 9250-222-RC | 2.2          | 44     | 7.9              | 100            | 0.19       | 650         | 650             |
| 9250-272-RC | 2.7          | 44     | 7.9              | 92             | 0.28       | 535         | 535             |
| 9250-332-RC | 3.3          | 44     | 7.9              | 85             | 0.35       | 480         | 480             |
| 9250-392-RC | 3.9          | 44     | 7.9              | 75             | 0.40       | 450         | 450             |
| 9250-472-RC | 4.7          | 44     | 7.9              | 70             | 0.55       | 380         | 380             |
| 9250-562-RC | 5.6          | 44     | 7.9              | 65             | 0.72       | 335         | 335             |
| 9250-682-RC | 6.8          | 50     | 7.9              | 55             | 1.02       | 280         | 280             |
| 9250-822-RC | 8.2          | 50     | 7.9              | 50             | 1.32       | 250         | 250             |
| 9250-103-RC | 10           | 50     | 7.9              | 46             | 1.62       | 220         | 220             |
| 9250-123-RC | 12           | 55     | 2.5              | 44             | 2.0        | 200         | 200             |
| 9250-153-RC | 15           | 45     | 2.5              | 49             | 0.80       | 315         | 250             |
| 9250-183-RC | 18           | 45     | 2.5              | 45             | 0.89       | 300         | 235             |
| 9250-223-RC | 22           | 45     | 2.5              | 41             | 0.96       | 290         | 220             |
| 9250-273-RC | 27           | 45     | 2.5              | 38             | 1.19       | 260         | 200             |
| 9250-333-RC | 33           | 45     | 2.5              | 34             | 1.37       | 240         | 190             |
| 9250-393-RC | 39           | 50     | 2.5              | 29             | 1.93       | 205         | 180             |
| 9250-473-RC | 47           | 50     | 2.5              | 27             | 2.11       | 195         | 175             |
| 9250-563-RC | 56           | 50     | 2.5              | 25             | 2.23       | 190         | 160             |
| 9250-683-RC | 68           | 50     | 2.5              | 21             | 2.70       | 170         | 150             |
| 9250-823-RC | 82           | 50     | 2.5              | 10.5           | 2.44       | 180         | 140             |
| 9250-104-RC | 100          | 50     | 2.5              | 10.0           | 3.12       | 160         | 120             |
| 9250-124-RC | 120          | 55     | 0.79             | 9.7            | 3.6        | 150         | 95              |
| 9250-154-RC | 150          | 55     | 0.79             | 8.5            | 4.1        | 140         | 90              |
| 9250-184-RC | 180          | 55     | 0.79             | 8.0            | 4.4        | 135         | 85              |
| 9250-224-RC | 220          | 55     | 0.79             | 7.5            | 5.0        | 125         | 80              |
| 9250-274-RC | 270          | 55     | 0.79             | 7.0            | 5.8        | 115         | 70              |
| 9250-334-RC | 330          | 55     | 0.79             | 6.5            | 6.4        | 110         | 65              |
| 9250-394-RC | 390          | 60     | 0.79             | 6.2            | 7.4        | 105         | 60              |
| 9250-474-RC | 470          | 60     | 0.79             | 5.7            | 9.5        | 92          | 58              |
| 9250-564-RC | 560          | 60     | 0.79             | 4.7            | 10.5       | 90          | 55              |
| 9250-684-RC | 680          | 60     | 0.79             | 4.5            | 11.8       | 80          | 50              |
| 9250-824-RC | 820          | 60     | 0.79             | 4.2            | 13.0       | 80          | 45              |

Only available as RoHS compliant.

Continued on next page.

# Shielded, Molded Chokes

## Special Features

- Ferrite magnetic shielded for low radiation
- High Q, high reliability
- Injection molded to protect coil from extreme environments
- Flame retardant coating
- Consistent body dimension
- Color band or numerical marking identification
- Dielectric strength 1000 Vrms
- Operating temperature -55 to +105 °C

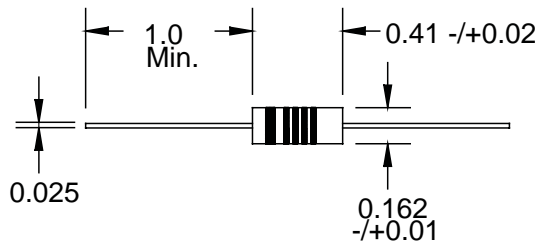
## Notes

- \* Rated current to cause 35 °C max. temperature rise
- \*\* Incremental current to cause 5 % max. inductance drop

**Bourns recommends using the 9250A Series as a replacement for the 9250 Series**

| 9250 Series continued |                 |           |                     |                      |                  |                |                    |
|-----------------------|-----------------|-----------|---------------------|----------------------|------------------|----------------|--------------------|
| Part Number           | L (μH)<br>±10 % | Q<br>Min. | Test Freq.<br>(MHz) | SRF<br>(MHz)<br>Min. | DCR<br>Ω<br>Max. | I, DC*<br>(mA) | I, Incr.**<br>(mA) |
| 9250-105-RC           | 1000            | 60        | 0.79                | 3.8                  | 17.5             | 70             | 40                 |
| 9250-125-RC           | 1200            | 45        | 0.25                | 1.5                  | 22.1             | 60             | 35                 |
| 9250-155-RC           | 1500            | 45        | 0.25                | 1.2                  | 26.5             | 55             | 33                 |
| 9250-185-RC           | 1800            | 45        | 0.25                | 1.0                  | 29.9             | 50             | 30                 |
| 9250-225-RC           | 2200            | 45        | 0.25                | 0.97                 | 33.8             | 50             | 27                 |
| 9250-275-RC           | 2700            | 45        | 0.25                | 0.92                 | 47.3             | 40             | 25                 |
| 9250-335-RC           | 3300            | 45        | 0.25                | 0.84                 | 53.0             | 40             | 22                 |
| 9250-395-RC           | 3900            | 45        | 0.25                | 0.80                 | 73.8             | 35             | 20                 |
| 9250-475-RC           | 4700            | 45        | 0.25                | 0.74                 | 81.6             | 31             | 19                 |
| 9250-565-RC           | 5600            | 44        | 0.25                | 0.73                 | 98.9             | 28             | 17                 |
| 9250-685-RC           | 6800            | 40        | 0.25                | 0.66                 | 111              | 27             | 16                 |
| 9250-825-RC           | 8200            | 40        | 0.25                | 0.54                 | 119              | 26             | 15                 |
| 9250-106-RC           | 10,000          | 40        | 0.25                | 0.47                 | 137              | 24             | 14                 |
| 9250-126-RC           | 12,000          | 30        | 0.079               | 0.33                 | 143              | 23             | 13                 |
| 9250-156-RC           | 15,000          | 30        | 0.079               | 0.29                 | 157              | 22             | 12                 |
| 9250-186-RC           | 18,000          | 30        | 0.079               | 0.28                 | 175              | 21             | 10                 |
| 9250-226-RC           | 22,000          | 27        | 0.079               | 0.25                 | 274              | 17             | 9                  |
| 9250-276-RC           | 27,000          | 27        | 0.079               | 0.21                 | 308              | 16             | 8                  |
| 9250-336-RC           | 33,000          | 27        | 0.079               | 0.19                 | 343              | 15             | 7.5                |
| 9250-396-RC           | 39,000          | 27        | 0.079               | 0.17                 | 376              | 15             | 6                  |
| 9250-476-RC           | 47,000          | 23        | 0.079               | 0.16                 | 473              | 13             | 5.5                |
| 9250-566-RC           | 56,000          | 23        | 0.079               | 0.14                 | 512              | 13             | 5                  |
| 9250-686-RC           | 68,000          | 23        | 0.079               | 0.13                 | 580              | 12             | 4                  |
| 9250-826-RC           | 82,000          | 21        | 0.079               | 0.12                 | 618              | 11             | 3.5                |
| 9250-107-RC           | 100,000         | 18        | 0.079               | 0.11                 | 678              | 11             | 3                  |

Only available as RoHS compliant.



Dimensions: Inches

**BOURNS®**

Tel. (877) 426-8767 • Fax (951) 781-5006

www.bourns.com

# Shielded, Molded Chokes

## Special Features

- Magnetic shielded for low radiation
- High Q, high reliability
- Injection molded to protect coil from extreme environments
- Flame retardant coating
- Consistent body dimension
- Color band identification
- Dielectric strength 1000 Vrms
- Operating temperature -55 to +125 °C

## Typical Applications

- Telecommunications
- Signal processing
- Computer peripherals
- Network routers
- Data switchers
- Consumer electronics
- Medical electronics

## Notes

\* Rated current to cause 35 °C max. temperature rise

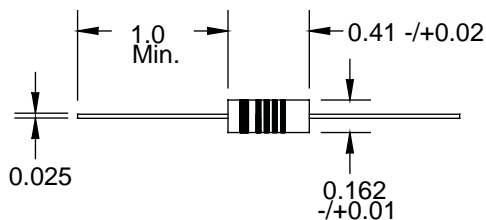
\*\* Incremental current to cause 5 % max. inductance drop

**Recommended replacement for the 9250 Series**

| 9250A Series |                 |           |                     |                      |                  |                |                    |
|--------------|-----------------|-----------|---------------------|----------------------|------------------|----------------|--------------------|
| Part Number  | L (μH)<br>±10 % | Q<br>Min. | Test Freq.<br>(MHz) | SRF<br>(MHz)<br>Min. | DCR<br>Ω<br>Max. | I, DC*<br>(mA) | I, Incr.**<br>(mA) |
| 9250A-101    | 0.10            | 50        | 25                  | 250                  | 0.025            | 1790           | 1790               |
| 9250A-121    | 0.12            | 51        | 25                  | 250                  | 0.034            | 1530           | 1530               |
| 9250A-151    | 0.15            | 51        | 25                  | 250                  | 0.037            | 1470           | 1470               |
| 9250A-181    | 0.18            | 50        | 25                  | 250                  | 0.047            | 1300           | 1300               |
| 9250A-221    | 0.22            | 49        | 25                  | 250                  | 0.067            | 1100           | 1100               |
| 9250A-271    | 0.27            | 47        | 25                  | 250                  | 0.11             | 855            | 855                |
| 9250A-331    | 0.33            | 46        | 25                  | 250                  | 0.13             | 780            | 780                |
| 9250A-391    | 0.39            | 44        | 25                  | 250                  | 0.18             | 670            | 670                |
| 9250A-471    | 0.47            | 44        | 25                  | 235                  | 0.25             | 565            | 565                |
| 9250A-561    | 0.56            | 43        | 25                  | 210                  | 0.33             | 490            | 490                |
| 9250A-681    | 0.68            | 42        | 25                  | 190                  | 0.45             | 420            | 420                |
| 9250A-821    | 0.82            | 40        | 25                  | 180                  | 0.59             | 370            | 370                |
| 9250A-102    | 1.0             | 40        | 25                  | 140                  | 0.07             | 1070           | 1070               |
| 9250A-122    | 1.2             | 44        | 7.9                 | 130                  | 0.10             | 895            | 895                |
| 9250A-152    | 1.5             | 44        | 7.9                 | 115                  | 0.12             | 815            | 815                |
| 9250A-182    | 1.8             | 44        | 7.9                 | 105                  | 0.14             | 775            | 775                |
| 9250A-222    | 2.2             | 44        | 7.9                 | 100                  | 0.19             | 650            | 650                |
| 9250A-272    | 2.7             | 44        | 7.9                 | 92                   | 0.28             | 535            | 535                |
| 9250A-332    | 3.3             | 44        | 7.9                 | 85                   | 0.35             | 480            | 480                |
| 9250A-392    | 3.9             | 44        | 7.9                 | 75                   | 0.40             | 450            | 450                |
| 9250A-472    | 4.7             | 44        | 7.9                 | 70                   | 0.55             | 380            | 380                |
| 9250A-562    | 5.6             | 44        | 7.9                 | 65                   | 0.72             | 335            | 335                |
| 9250A-682    | 6.8             | 50        | 7.9                 | 55                   | 1.02             | 280            | 280                |
| 9250A-822    | 8.2             | 50        | 7.9                 | 50                   | 1.32             | 250            | 250                |
| 9250A-103    | 10              | 50        | 7.9                 | 46                   | 1.62             | 220            | 220                |
| 9250A-123    | 12              | 55        | 2.5                 | 44                   | 2.0              | 200            | 200                |
| 9250A-153    | 15              | 45        | 2.5                 | 49                   | 0.80             | 315            | 250                |
| 9250A-183    | 18              | 45        | 2.5                 | 45                   | 0.89             | 300            | 235                |
| 9250A-223    | 22              | 45        | 2.5                 | 41                   | 0.96             | 290            | 220                |
| 9250A-273    | 27              | 45        | 2.5                 | 38                   | 1.19             | 260            | 200                |
| 9250A-333    | 33              | 45        | 2.5                 | 34                   | 1.37             | 240            | 190                |
| 9250A-393    | 39              | 50        | 2.5                 | 29                   | 1.93             | 205            | 180                |
| 9250A-473    | 47              | 50        | 2.5                 | 27                   | 2.11             | 195            | 175                |
| 9250A-563    | 56              | 50        | 2.5                 | 25                   | 2.23             | 190            | 160                |
| 9250A-683    | 68              | 50        | 2.5                 | 21                   | 2.70             | 170            | 150                |
| 9250A-823    | 82              | 50        | 2.5                 | 10.5                 | 2.44             | 180            | 140                |
| 9250A-104    | 100             | 50        | 2.5                 | 10.0                 | 3.12             | 160            | 120                |
| 9250A-124    | 120             | 55        | 0.79                | 9.7                  | 3.6              | 150            | 95                 |
| 9250A-154    | 150             | 55        | 0.79                | 8.5                  | 4.1              | 140            | 90                 |
| 9250A-184    | 180             | 55        | 0.79                | 8.0                  | 4.4              | 135            | 85                 |
| 9250A-224    | 220             | 55        | 0.79                | 7.5                  | 5.0              | 125            | 80                 |
| 9250A-274    | 270             | 55        | 0.79                | 7.0                  | 5.8              | 115            | 70                 |
| 9250A-334    | 330             | 55        | 0.79                | 6.5                  | 6.4              | 110            | 65                 |
| 9250A-394    | 390             | 60        | 0.79                | 6.2                  | 7.4              | 105            | 60                 |
| 9250A-474    | 470             | 60        | 0.79                | 5.7                  | 9.5              | 92             | 58                 |
| 9250A-564    | 560             | 60        | 0.79                | 4.7                  | 10.5             | 90             | 55                 |
| 9250A-684    | 680             | 60        | 0.79                | 4.5                  | 11.8             | 80             | 50                 |
| 9250A-824    | 820             | 60        | 0.79                | 4.2                  | 13.0             | 80             | 45                 |
| 9250A-105    | 1000            | 60        | 0.79                | 3.8                  | 17.5             | 70             | 40                 |

For RoHS compliant version, add "-RC" to part number.

Continued next page.



Dimensions: Inches

# Shielded, Molded Chokes

## Special Features

- Magnetic shielded for low radiation
- High Q, high reliability
- Injection molded to protect coil from extreme environments
- Flame retardant coating
- Consistent body dimension
- Color band identification
- Dielectric strength 1000 Vrms
- Operating temperature -55 to +125 °C

## Typical Applications

- Telecommunications
- Signal processing
- Computer peripherals
- Network routers
- Data switchers
- Consumer electronics
- Medical electronics

## Notes

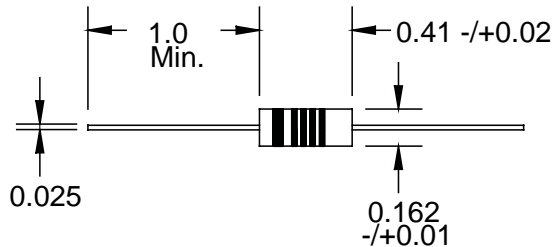
\* Rated current to cause 35 °C max. temperature rise

\*\* Incremental current to cause 5 % max. inductance drop

**Recommended replacement for the 9250 Series**

| 9250A Series continued |              |        |                  |                |            |             |                 |
|------------------------|--------------|--------|------------------|----------------|------------|-------------|-----------------|
| Part Number            | L (μH) ±10 % | Q Min. | Test Freq. (MHz) | SRF (MHz) Min. | DCR Ω Max. | I, DC* (mA) | I, Incr.** (mA) |
| 9250A-125              | 1200         | 45     | 0.25             | 1.5            | 22.1       | 60          | 35              |
| 9250A-155              | 1500         | 45     | 0.25             | 1.2            | 26.5       | 55          | 33              |
| 9250A-185              | 1800         | 45     | 0.25             | 1.0            | 29.9       | 50          | 30              |
| 9250A-225              | 2200         | 45     | 0.25             | 0.97           | 33.8       | 50          | 27              |
| 9250A-275              | 2700         | 45     | 0.25             | 0.92           | 47.3       | 40          | 25              |
| 9250A-335              | 3300         | 45     | 0.25             | 0.84           | 53.0       | 40          | 22              |
| 9250A-395              | 3900         | 45     | 0.25             | 0.80           | 73.8       | 35          | 20              |
| 9250A-475              | 4700         | 45     | 0.25             | 0.74           | 81.6       | 31          | 19              |
| 9250A-565              | 5600         | 44     | 0.25             | 0.73           | 98.9       | 28          | 17              |
| 9250A-685              | 6800         | 40     | 0.25             | 0.66           | 111        | 27          | 16              |
| 9250A-825              | 8200         | 40     | 0.25             | 0.54           | 119        | 26          | 15              |
| 9250A-106              | 10,000       | 40     | 0.25             | 0.47           | 137        | 24          | 14              |
| 9250A-126              | 12,000       | 30     | 0.079            | 0.33           | 143        | 23          | 13              |
| 9250A-156              | 15,000       | 30     | 0.079            | 0.29           | 157        | 22          | 12              |
| 9250A-186              | 18,000       | 30     | 0.079            | 0.28           | 175        | 21          | 10              |
| 9250A-226              | 22,000       | 27     | 0.079            | 0.25           | 274        | 17          | 9               |
| 9250A-276              | 27,000       | 27     | 0.079            | 0.21           | 308        | 16          | 8               |
| 9250A-336              | 33,000       | 27     | 0.079            | 0.19           | 343        | 15          | 7.5             |
| 9250A-396              | 39,000       | 27     | 0.079            | 0.17           | 376        | 15          | 6               |
| 9250A-476              | 47,000       | 23     | 0.079            | 0.16           | 473        | 13          | 5.5             |
| 9250A-566              | 56,000       | 23     | 0.079            | 0.14           | 512        | 13          | 5               |
| 9250A-686              | 68,000       | 23     | 0.079            | 0.13           | 580        | 12          | 4               |
| 9250A-826              | 82,000       | 21     | 0.079            | 0.12           | 618        | 11          | 3.5             |
| 9250A-107              | 100,000      | 18     | 0.079            | 0.11           | 678        | 11          | 3               |

For RoHS compliant version, add "-RC" to part number.



Dimensions: Inches

**BOURNS®**

Tel. (877) 426-8767 • Fax (951) 781-5006

www.bourns.com

# Molded Chokes

## Special Features

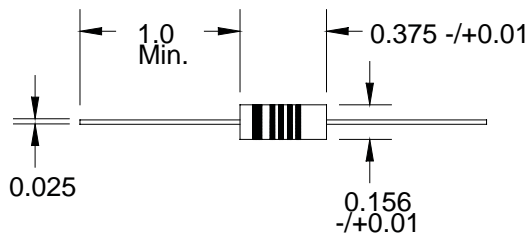
- High Q, high reliability
- Iron or ferrite core
- Injection molded to protect coil from extreme environments
- Flame retardant coating
- Consistent body dimension
- Color band or numerical marking identification
- Dielectric strength 1000 Vrms
- Operating temperature -55° to 105 °C

## Notes

\* Current to cause 35 °C max. temperature rise

| 9310 Series |                 |           |                     |                      |                  |                |
|-------------|-----------------|-----------|---------------------|----------------------|------------------|----------------|
| Part Number | L (μH)<br>±20 % | Q<br>Min. | Test Freq.<br>(MHz) | SRF<br>(MHz)<br>Min. | DCR<br>Ω<br>Max. | I, DC*<br>(mA) |
| 9310-00-RC  | 0.15            | 50        | 25                  | 525                  | 0.03             | 2450           |
| 9310-02-RC  | 0.22            | 50        | 25                  | 450                  | 0.055            | 1900           |
| 9310-04-RC  | 0.33            | 45        | 25                  | 360                  | 0.09             | 1400           |
| 9310-06-RC  | 0.47            | 45        | 5                   | 310                  | 0.12             | 1225           |
|             | ±10 %           |           |                     |                      |                  |                |
| 9310-07-RC  | 0.56            | 50        | 25                  | 280                  | 0.135            | 1220           |
| 9310-08-RC  | 0.68            | 50        | 25                  | 250                  | 0.15             | 1100           |
| 9310-10-RC  | 0.82            | 50        | 25                  | 220                  | 0.22             | 900            |
| 9310-12-RC  | 1.0             | 50        | 25                  | 200                  | 0.29             | 830            |
| 9310-14-RC  | 1.2             | 33        | 7.9                 | 180                  | 0.42             | 650            |
| 9310-16-RC  | 1.5             | 33        | 7.9                 | 160                  | 0.50             | 600            |
| 9310-18-RC  | 1.8             | 33        | 7.9                 | 150                  | 0.65             | 525            |
| 9310-20-RC  | 2.2             | 33        | 7.9                 | 135                  | 0.95             | 435            |
| 9310-22-RC  | 2.7             | 33        | 7.9                 | 120                  | 1.2              | 385            |
| 9310-24-RC  | 3.3             | 33        | 7.9                 | 110                  | 2.0              | 300            |
| 9310-26-RC  | 3.9             | 33        | 7.9                 | 100                  | 2.3              | 280            |
| 9310-28-RC  | 4.7             | 33        | 7.9                 | 90                   | 2.6              | 260            |
| 9310-30-RC  | 5.6             | 45        | 7.9                 | 60                   | 0.32             | 750            |
| 9310-32-RC  | 6.8             | 50        | 7.9                 | 55                   | 0.50             | 600            |
| 9310-34-RC  | 8.2             | 50        | 7.9                 | 50                   | 0.60             | 545            |
| 9310-36-RC  | 10              | 55        | 7.9                 | 45                   | 0.90             | 445            |
| 9310-38-RC  | 12              | 65        | 2.5                 | 42                   | 1.1              | 404            |
| 9310-40-RC  | 15              | 65        | 2.5                 | 40                   | 1.4              | 370            |
| 9310-42-RC  | 18              | 75        | 2.5                 | 34                   | 2.25             | 280            |
| 9310-44-RC  | 22              | 75        | 2.5                 | 30                   | 2.5              | 265            |
| 9310-46-RC  | 24              | 60        | 2.5                 | 26                   | 2.5              | 265            |
| 9310-48-RC  | 27              | 60        | 2.5                 | 25                   | 2.6              | 260            |
| 9310-50-RC  | 30              | 65        | 2.5                 | 19                   | 2.8              | 255            |
| 9310-52-RC  | 33              | 65        | 2.5                 | 19                   | 3.0              | 250            |

Only available as RoHS compliant.



Dimensions: Inches

**BOURNS®**

Tel. (877) 426-8767 • Fax (951) 781-5006

www.bourns.com



**BOURNS®**

Tel. (877) 426-8767 • Fax (951) 781-5006

[www.bourns.com](http://www.bourns.com)



# Varnished Chokes

## Special Features

- High Q, high self-resonant frequency
- High voltage application on phenolic components
- Single layer or 3-pi universal wound
- Low cost
- Varnish coated
- Operating temperature:  
phenolic -55 to +125 °C  
iron & ferrite -55 to +105 °C

## Notes

\* Current to cause 35 °C max. temperature rise

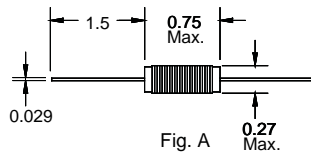


Fig. A

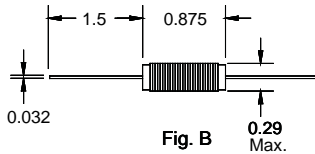


Fig. B

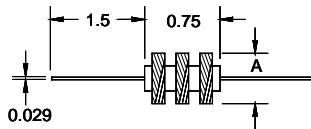


Fig. C

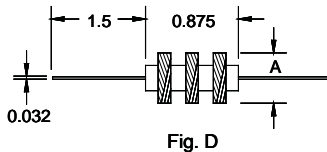


Fig. D

Dimensions: Inches

| 4600 Series |                 |           |                     |                      |                  |                |                       |               |      |   |
|-------------|-----------------|-----------|---------------------|----------------------|------------------|----------------|-----------------------|---------------|------|---|
| Part Number | L (μH)<br>±20 % | Q<br>Min. | Test Freq.<br>(MHz) | SRF<br>(MHz)<br>Min. | DCR<br>Ω<br>Max. | I, DC*<br>(mA) | Coil<br>Diam.<br>Max. | Core<br>Matl. | Fig. |   |
| 4602        | 1.0             | 60        | 7.96                | 190                  | 0.05             | 2000           | 0.27                  | Phenolic      | A    |   |
| ±10 %       |                 |           |                     |                      |                  |                |                       |               |      |   |
| 4604        | 1.5             | 58        | 7.96                | 149                  | 0.093            | 1800           | 0.27                  | Phenolic      | A    |   |
| 4606        | 2.4             | 56        | 7.96                | 120                  | 0.19             | 1500           | 0.27                  | Phenolic      | A    |   |
| 4608        | 3.9             | 60        | 7.96                | 93                   | 0.45             | 1000           | 0.27                  | Phenolic      | A    |   |
| 4609        | 5.5             | 57        | 7.96                | 80                   | 0.67             | 850            | 0.27                  | Phenolic      | A    |   |
| 4610        | 6.2             | 57        | 7.96                | 76                   | 0.83             | 700            | 0.27                  | Phenolic      | A    |   |
| 4611        | 8.2             | 57        | 7.96                | 65                   | 1.2              | 600            | 0.27                  | Phenolic      | A    |   |
| 4612        | 10              | 36        | 2.52                | 61                   | 1.5              | 500            | 0.27                  | Phenolic      | A    |   |
| ±5 %        |                 |           |                     |                      |                  |                |                       |               |      |   |
| 4622        | 10              | 69        | 2.52                | 40                   | 0.11             | 1500           | 0.29                  | Iron          | B    |   |
| 4624        | 15              | 62        | 2.52                | 33                   | 0.17             | 1000           | 0.29                  | Iron          | B    |   |
| 4626        | 24              | 65        | 2.52                | 25                   | 0.34             | 800            | 0.29                  | Iron          | B    |   |
| 4628        | 39              | 70        | 2.52                | 20                   | 0.65             | 600            | 0.29                  | Iron          | B    |   |
| 4629        | 55              | 72        | 2.52                | 17                   | 1.0              | 500            | 0.29                  | Iron          | B    |   |
| 4630        | 62              | 83        | 2.52                | 16                   | 1.2              | 475            | 0.29                  | Iron          | B    |   |
| 4631        | 82              | 85        | 2.52                | 13                   | 1.9              | 450            | 0.29                  | Iron          | B    |   |
| 4632        | 100             | 107       | 0.79                | 12                   | 3.0              | 400            | 0.29                  | Iron          | B    |   |
| 4642        | 100             | 49        | 0.79                | 11                   | 5.4              | 160            | 0.41                  | Phenolic      | C    |   |
| 4644        | 150             | 53        | 0.79                | 8.8                  | 6.5              | 160            | 0.41                  | Phenolic      | C    |   |
| 4646        | 240             | 56        | 0.79                | 7.2                  | 8.5              | 160            | 0.44                  | Phenolic      | C    |   |
| 4648        | 390             | 57        | 0.79                | 5.6                  | 11.0             | 160            | 0.50                  | Phenolic      | C    |   |
| 4649        | 550             | 58        | 0.79                | 4.8                  | 13.0             | 160            | 0.50                  | Phenolic      | C    |   |
| 4650        | 620             | 59        | 0.79                | 4.5                  | 15.0             | 160            | 0.53                  | Phenolic      | C    |   |
| 4651        | 750             | 56        | 0.79                | 4.0                  | 16.0             | 160            | 0.53                  | Phenolic      | C    |   |
| 4652        | 1000            | 59        | 0.252               | 3.7                  | 19.0             | 160            | 0.56                  | Phenolic      | C    |   |
|             |                 |           | L Test @1<br>KHz    | Q Test<br>Freq.      |                  |                |                       |               |      |   |
| 4662        |                 | 83        | 1000                | 0.252                | 2.6              | 8.6            | 160                   | 0.47          | Iron | D |
| 4664        |                 | 82        | 1500                | 0.252                | 2.1              | 11.0           | 160                   | 0.47          | Iron | D |
| 4666        |                 | 80        | 2400                | 0.252                | 1.7              | 15.0           | 160                   | 0.53          | Iron | D |
| 4668        |                 | 73        | 3900                | 0.252                | 1.4              | 20.0           | 160                   | 0.56          | Iron | D |
| 4669        |                 | 69        | 5500                | 0.252                | 1.1              | 25.0           | 160                   | 0.59          | Iron | D |
| 4670        |                 | 89        | 6200                | 0.252                | 1.0              | 37.0           | 100                   | 0.53          | Iron | D |
| 4671        |                 | 83        | 8200                | 0.252                | 0.94             | 46.0           | 100                   | 0.56          | Iron | D |
| 4672        |                 | 68        | 10,000              | 0.0796               | 0.82             | 50.0           | 100                   | 0.59          | Iron | D |

For RoHS compliant version, add "-RC" to part number.

**BOURNS®**

Tel. (877) 426-8767 • Fax (951) 781-5006

www.bourns.com

# Varnished Chokes

## Special Features

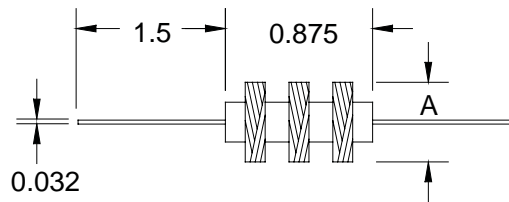
- High Q, high self-resonant frequency
- High voltage application
- 3-pi universal wound
- Low cost
- Varnish coated
- Ferrite core
- Operating temperature -55 to +105 °C

## Notes

\* Current to cause 35 °C max. temperature rise

| 6300 Series |                |           |                     |                      |                  |                |                  |
|-------------|----------------|-----------|---------------------|----------------------|------------------|----------------|------------------|
| Part Number | L (μH)<br>±5 % | Q<br>Min. | Test Freq.<br>(MHz) | SRF<br>(MHz)<br>Min. | DCR<br>Ω<br>Max. | I, DC*<br>(mA) | Dim.<br>A<br>Max |
| 6302        | 2500           | 95        | 0.252               | 1.3                  | 9.0              | 160            | 0.47             |
| 6304        | 5000           | 80        | 0.252               | 1.0                  | 14.0             | 160            | 0.53             |
| 6306        | 10,000         | 95        | 0.0796              | 0.71                 | 31.0             | 100            | 0.53             |
| 6308        | 25,000         | 90        | 0.0796              | 0.47                 | 82.0             | 65             | 0.53             |
| 6310        | 50,000         | 100       | 0.0796              | 0.33                 | 127.0            | 65             | 0.63             |

For RoHS compliant version, add "-RC" to part number.



Dimensions: Inches

**BOURNS®**

Tel. (877) 426-8767 • Fax (951) 781-5006

[www.bourns.com](http://www.bourns.com)

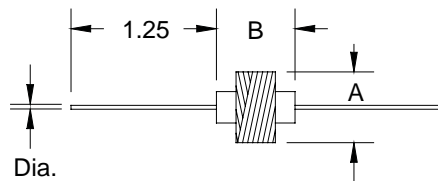
# Varnished Chokes

## Special Features

- High Q, high self-resonant frequency
- High voltage application on phenolic and ferrite components
- Universal wound
- Low cost
- Varnish coated
- Operating temperature:  
phenolic -55 to +125 °C;  
iron, ferrite -55 to +105 °C

## Notes

\* Current to cause 35 °C max. temperature rise



Dia.  
0.025 for 0.1-22,000uh  
0.032 for 25,000-500,000uh

Dimensions: Inches

| 70F Series  |                 |           |                     |                      |                  |                |                  |                    |                  |
|-------------|-----------------|-----------|---------------------|----------------------|------------------|----------------|------------------|--------------------|------------------|
| Part Number | L (μH)<br>±20 % | Q<br>Min. | Test Freq.<br>(MHz) | SRF<br>(MHz)<br>Min. | DCR<br>Ω<br>Max. | I, DC*<br>(mA) | Dim.<br>A<br>Max | Dim.<br>B<br>±0.03 | Core<br>Material |
| 70F107AP    | 0.10            | 49        | 25                  | 600                  | 0.13             | 3922           | 0.15             | 0.31               | Phenolic         |
| 70F157AP    | 0.15            | 52        | 25                  | 490                  | 0.25             | 2828           | 0.14             | 0.31               | Phenolic         |
| 70F227AP    | 0.22            | 48        | 25                  | 400                  | 0.38             | 2294           | 0.14             | 0.31               | Phenolic         |
| 70F337AP    | 0.33            | 47        | 25                  | 330                  | 0.70             | 1690           | 0.12             | 0.31               | Phenolic         |
| 70F477AP    | 0.47            | 46        | 25                  | 280                  | 0.125            | 1264           | 0.12             | 0.31               | Phenolic         |
| 70F687AP    | 0.68            | 48        | 25                  | 240                  | 0.20             | 1000           | 0.12             | 0.31               | Phenolic         |
| 70F757AP    | 0.75            | 48        | 25                  | 224                  | 0.264            | 870            | 0.12             | 0.31               | Phenolic         |
| 70F827AP    | 0.82            | 48        | 25                  | 216                  | 0.29             | 830            | 0.12             | 0.31               | Phenolic         |
| 70F106AI    | 1.0             | 41        | 25                  | 118                  | 0.048            | 2041           | 0.16             | 0.25               | Iron             |
| ±10 %       |                 |           |                     |                      |                  |                |                  |                    |                  |
| 70F126AI    | 1.2             | 45        | 7.9                 | 118                  | 0.072            | 1666           | 0.16             | 0.25               | Iron             |
| 70F156AI    | 1.5             | 42        | 7.9                 | 102                  | 0.096            | 1443           | 0.16             | 0.25               | Iron             |
| 70F186AI    | 1.8             | 31        | 7.9                 | 89                   | 0.096            | 1443           | 0.16             | 0.25               | Iron             |
| 70F226AI    | 2.2             | 43        | 7.9                 | 87                   | 0.156            | 1132           | 0.16             | 0.25               | Iron             |
| 70F276AI    | 2.7             | 34        | 7.9                 | 74                   | 0.168            | 1091           | 0.16             | 0.25               | Iron             |
| 70F336AI    | 3.3             | 40        | 7.9                 | 66                   | 0.24             | 912            | 0.15             | 0.25               | Iron             |
| 70F396AI    | 3.9             | 35        | 7.9                 | 61                   | 0.264            | 870            | 0.15             | 0.25               | Iron             |
| 70F476AI    | 4.7             | 43        | 7.9                 | 53                   | 0.457            | 661            | 0.15             | 0.25               | Iron             |
| 70F566AI    | 5.6             | 41        | 7.9                 | 49                   | 0.492            | 637            | 0.15             | 0.25               | Iron             |
| 70F686AI    | 6.8             | 40        | 7.9                 | 49                   | 0.624            | 566            | 0.15             | 0.25               | Iron             |
| 70F756AI    | 7.5             | 32        | 7.9                 | 44                   | 0.624            | 566            | 0.15             | 0.25               | Iron             |
| 70F826AI    | 8.2             | 37        | 7.9                 | 41                   | 0.744            | 518            | 0.15             | 0.25               | Iron             |
| 70F916AI    | 9.1             | 41        | 7.9                 | 21                   | 1.44             | 288            | 0.16             | 0.25               | Iron             |
| 70F105AI    | 10              | 36        | 7.9                 | 19                   | 1.56             | 277            | 0.16             | 0.25               | Iron             |
| 70F125AI    | 12              | 52        | 2.5                 | 19                   | 1.68             | 267            | 0.16             | 0.25               | Iron             |
| 70F155AI    | 15              | 52        | 2.5                 | 16                   | 1.92             | 250            | 0.16             | 0.25               | Iron             |
| ±5 %        |                 |           |                     |                      |                  |                |                  |                    |                  |
| 70F185AI    | 18              | 52        | 2.5                 | 15                   | 2.28             | 229            | 0.16             | 0.25               | Iron             |
| 70F225AI    | 22              | 51        | 2.5                 | 13                   | 2.28             | 229            | 0.16             | 0.25               | Iron             |
| 70F255AI    | 25              | 48        | 2.5                 | 13                   | 2.64             | 213            | 0.17             | 0.25               | Iron             |
| 70F275AI    | 27              | 49        | 2.5                 | 12                   | 2.64             | 213            | 0.17             | 0.25               | Iron             |
| 70F335AI    | 33              | 50        | 2.5                 | 10                   | 2.76             | 208            | 0.17             | 0.25               | Iron             |
| 70F395AI    | 39              | 48        | 2.5                 | 9.3                  | 3.36             | 188            | 0.17             | 0.25               | Iron             |
| 70F475AI    | 47              | 44        | 2.5                 | 9.1                  | 3.36             | 188            | 0.17             | 0.25               | Iron             |
| 70F565AI    | 56              | 45        | 2.5                 | 8.6                  | 3.84             | 176            | 0.18             | 0.25               | Iron             |
| 70F685AI    | 68              | 42        | 2.5                 | 8.1                  | 4.2              | 169            | 0.18             | 0.25               | Iron             |
| 70F755AI    | 75              | 38        | 2.5                 | 7.2                  | 4.56             | 162            | 0.18             | 0.25               | Iron             |
| 70F825AI    | 82              | 41        | 2.5                 | 6.7                  | 4.8              | 158            | 0.18             | 0.25               | Iron             |
| 70F915AI    | 91              | 41        | 2.5                 | 6.7                  | 4.92             | 156            | 0.18             | 0.25               | Iron             |
| 70F104AI    | 100             | 25        | 2.5                 | 3.6                  | 7.68             | 139            | 0.16             | 0.25               | Iron             |
| 70F124AI    | 120             | 40        | 0.79                | 3.2                  | 8.16             | 135            | 0.16             | 0.25               | Iron             |
| 70F154AI    | 150             | 47        | 0.79                | 3.0                  | 8.16             | 135            | 0.16             | 0.25               | Iron             |
| 70F184AI    | 180             | 48        | 0.79                | 2.8                  | 8.16             | 135            | 0.17             | 0.25               | Iron             |
| 70F204AI    | 200             | 47        | 0.79                | 2.7                  | 10.3             | 120            | 0.17             | 0.25               | Iron             |
| 70F224AI    | 220             | 46        | 0.79                | 2.5                  | 11.5             | 114            | 0.17             | 0.25               | Iron             |
| 70F254AI    | 250             | 49        | 0.79                | 2.5                  | 12.1             | 111            | 0.17             | 0.25               | Iron             |
| 70F274AI    | 270             | 46        | 0.79                | 2.5                  | 13.2             | 106            | 0.17             | 0.25               | Iron             |
| 70F304AI    | 300             | 46        | 0.79                | 2.2                  | 13.2             | 106            | 0.17             | 0.25               | Iron             |
| 70F334AI    | 330             | 41        | 0.79                | 2.0                  | 13.9             | 103            | 0.17             | 0.25               | Iron             |
| 70F354AI    | 350             | 46        | 0.79                | 2.0                  | 14.4             | 102            | 0.18             | 0.25               | Iron             |

For RoHS compliant version, add "-RC" to part number.

Continued next page.

**BOURNS®**

Tel. (877) 426-8767 • Fax (951) 781-5006

www.bourns.com

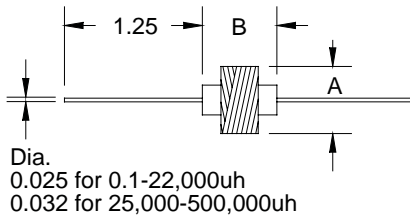
# Varnished Chokes

## Special Features

- High Q, high self-resonant frequency
- High voltage application on phenolic and ferrite components
- Universal wound
- Low cost
- Varnish coated
- Operating temperature:  
phenolic -55 to +125 °C;  
iron, ferrite -55 to +105 °C

## Notes

- \* Current to cause 35 °C max. temperature rise



Dimensions: Inches

| 70F Series continued |             |        |                  |                |       |             |            |              |               |
|----------------------|-------------|--------|------------------|----------------|-------|-------------|------------|--------------|---------------|
| Part Number          | L (μH) ±5 % | Q Min. | Test Freq. (MHz) | SRF (MHz) Min. | DCR Ω |             | Dim. A Max | Dim. B ±0.03 | Core Material |
|                      |             |        |                  |                | Max.  | I, DC* (mA) |            |              |               |
| 70F394AI             | 390         | 45     | 0.79             | 2.0            | 15.8  | 97          | 0.18       | 0.25         | Iron          |
| 70F474AI             | 470         | 35     | 0.79             | 1.8            | 16.3  | 95          | 0.18       | 0.25         | Iron          |
| 70F504AI             | 500         | 49     | 0.79             | 1.8            | 18.0  | 91          | 0.19       | 0.25         | Iron          |
| 70F564AI             | 560         | 41     | 0.79             | 1.7            | 19.2  | 88          | 0.19       | 0.25         | Iron          |
| 70F684AI             | 680         | 37     | 0.79             | 1.6            | 19.8  | 87          | 0.2        | 0.25         | Iron          |
| 70F754AI             | 750         | 40     | 0.79             | 1.6            | 22.9  | 80          | 0.21       | 0.25         | Iron          |
| 70F824AI             | 820         | 33     | 0.79             | 1.6            | 22.9  | 80          | 0.21       | 0.25         | Iron          |
| 70F914AI             | 910         | 32     | 0.79             | 1.4            | 24.0  | 79          | 0.22       | 0.25         | Iron          |
| 70F103AI             | 1000        | 30     | 0.79             | 1.4            | 24.0  | 79          | 0.22       | 0.25         | Iron          |
| 70F123AI             | 1200        | 34     | 0.25             | 1.2            | 33.6  | 66          | 0.22       | 0.25         | Iron          |
| 70F153AI             | 1500        | 40     | 0.25             | 1.1            | 37.2  | 63          | 0.22       | 0.25         | Iron          |
| 70F183AI             | 1800        | 40     | 0.25             | 0.96           | 42.0  | 59          | 0.23       | 0.25         | Iron          |
| 70F223AI             | 2200        | 40     | 0.25             | 0.96           | 45.6  | 57          | 0.24       | 0.25         | Iron          |
| 70F253AI             | 2500        | 48     | 0.25             | 0.96           | 45.6  | 57          | 0.26       | 0.38         | Iron          |
| 70F273AI             | 2700        | 50     | 0.25             | 0.88           | 45.6  | 57          | 0.26       | 0.38         | Iron          |
| 70F333AI             | 3300        | 52     | 0.25             | 0.80           | 51.6  | 53          | 0.26       | 0.38         | Iron          |
| 70F393AI             | 3900        | 53     | 0.25             | 0.76           | 57.6  | 51          | 0.27       | 0.38         | Iron          |
| 70F473AI             | 4700        | 49     | 0.25             | 0.68           | 64.8  | 48          | 0.28       | 0.38         | Iron          |
| 70F563AI             | 5600        | 53     | 0.25             | 0.68           | 69.6  | 46          | 0.3        | 0.38         | Iron          |
| 70F683AI             | 6800        | 51     | 0.25             | 0.64           | 78    | 43          | 0.31       | 0.38         | Iron          |
| 70F753AI             | 7500        | 49     | 0.25             | 0.60           | 85.2  | 41          | 0.31       | 0.38         | Iron          |
| 70F823AI             | 8200        | 48     | 0.25             | 0.60           | 92.4  | 40          | 0.33       | 0.38         | Iron          |
| 70F913AI             | 9100        | 52     | 0.25             | 0.56           | 98.4  | 39          | 0.33       | 0.38         | Iron          |
| 70F102AI             | 10,000      | 41     | 0.25             | 0.52           | 101   | 38          | 0.33       | 0.38         | Iron          |
| 70F122AI             | 12,000      | 46     | 0.079            | 0.36           | 100   | 50          | 0.3        | 0.50         | Iron          |
| 70F152AI             | 15,000      | 50     | 0.079            | 0.32           | 113   | 47          | 0.3        | 0.50         | Iron          |
| 70F182AI             | 18,000      | 49     | 0.079            | 0.29           | 128   | 44          | 0.32       | 0.50         | Iron          |
| 70F222AI             | 22,000      | 50     | 0.079            | 0.27           | 144   | 41          | 0.33       | 0.50         | Iron          |
| 70F252AF             | 25,000      | 59     | 0.079            | 0.25           | 115   | 46          | 0.34       | 0.63         | Ferrite       |
| 70F272AF             | 27,000      | 61     | 0.079            | 0.244          | 120   | 45          | 0.35       | 0.63         | Ferrite       |
| 70F332AF             | 33,000      | 61     | 0.079            | 0.232          | 134   | 43          | 0.35       | 0.63         | Ferrite       |
| 70F392AF             | 39,000      | 59     | 0.079            | 0.22           | 147   | 41          | 0.37       | 0.63         | Ferrite       |
| 70F472AF             | 47,000      | 57     | 0.079            | 0.206          | 168   | 38          | 0.38       | 0.63         | Ferrite       |
| 70F502AF             | 50,000      | 57     | 0.079            | 0.196          | 175   | 37          | 0.4        | 0.63         | Ferrite       |
| 70F562AF             | 56,000      | 57     | 0.079            | 0.188          | 189   | 36          | 0.4        | 0.63         | Ferrite       |
| 70F682AF             | 68,000      | 57     | 0.079            | 0.18           | 215   | 34          | 0.41       | 0.63         | Ferrite       |
| 70F752AF             | 75,000      | 53     | 0.079            | 0.174          | 222   | 33          | 0.43       | 0.63         | Ferrite       |
| 70F822AF             | 82,000      | 50     | 0.079            | 0.168          | 238   | 32          | 0.43       | 0.63         | Ferrite       |
| 70F912AF             | 91,000      | 51     | 0.079            | 0.166          | 250   | 31          | 0.43       | 0.63         | Ferrite       |
| 70F101AF             | 100,000     | 48     | 0.079            | 0.157          | 278   | 29          | 0.44       | 0.63         | Ferrite       |
| L tested @ 1 KHz     |             |        |                  |                |       |             |            |              |               |
| 70F121AF             | 120,000     | 46     | 0.025            | 0.084          | 288   | 48          | 0.48       | 0.88         | Ferrite       |
| 70F151AF             | 150,000     | 49     | 0.025            | 0.077          | 328   | 44          | 0.50       | 0.88         | Ferrite       |
| 70F181AF             | 180,000     | 51     | 0.025            | 0.075          | 374   | 41          | 0.52       | 0.88         | Ferrite       |
| 70F221AF             | 220,000     | 51     | 0.025            | 0.07           | 424   | 39          | 0.54       | 0.88         | Ferrite       |
| 70F251AF             | 250,000     | 52     | 0.025            | 0.065          | 468   | 37          | 0.55       | 0.88         | Ferrite       |
| 70F271AF             | 270,000     | 53     | 0.025            | 0.062          | 490   | 36          | 0.57       | 0.88         | Ferrite       |
| 70F331AF             | 330,000     | 54     | 0.025            | 0.06           | 540   | 34          | 0.58       | 0.88         | Ferrite       |
| 70F391AF             | 390,000     | 54     | 0.025            | 0.056          | 617   | 33          | 0.6        | 0.88         | Ferrite       |
| 70F471AF             | 470,000     | 55     | 0.025            | 0.054          | 704   | 30          | 0.61       | 0.88         | Ferrite       |
| 70F501AF             | 500,000     | 53     | 0.025            | 0.052          | 736   | 30          | 0.63       | 0.88         | Ferrite       |

For RoHS compliant version, add "-RC" to part number.

**BOURNS®**

Tel. (877) 426-8767 • Fax (951) 781-5006

www.bourns.com

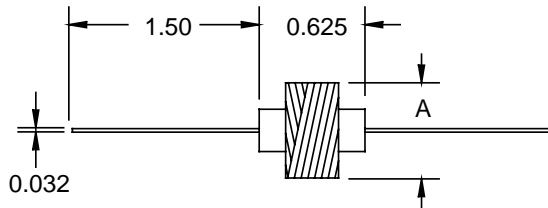
# Varnished Chokes

## Special Features

- High Q, high self-resonant frequency
- High voltage application
- Universal wound
- Ferrite core
- Low cost
- Varnish coated
- Operating temperature -55 to +105 °C

## Notes

\* Current to cause 35 °C max. temperature rise



Dimensions: Inches

| 73F Series  |                |           |                     |                      |                  |                |                  |
|-------------|----------------|-----------|---------------------|----------------------|------------------|----------------|------------------|
| Part Number | L (μH)<br>±5 % | Q<br>Min. | Test Freq.<br>(MHz) | SRF<br>(MHz)<br>Min. | DCR<br>Ω<br>Max. | I, DC*<br>(mA) | Dim.<br>A<br>Max |
| 73F104AF    | 100            | 140       | 0.79                | 7.7                  | 2.0              | 250            | 0.33             |
| 73F124AF    | 120            | 140       | 0.79                | 7.0                  | 2.2              | 250            | 0.33             |
| 73F154AF    | 150            | 160       | 0.79                | 6.3                  | 2.5              | 250            | 0.33             |
| 73F184AF    | 180            | 160       | 0.79                | 6.0                  | 2.9              | 250            | 0.34             |
| 73F224AF    | 220            | 160       | 0.79                | 5.6                  | 3.2              | 250            | 0.36             |
| 73F274AF    | 270            | 160       | 0.79                | 5.1                  | 3.6              | 250            | 0.36             |
| 73F334AF    | 330            | 160       | 0.79                | 4.8                  | 3.8              | 250            | 0.37             |
| 73F394AF    | 390            | 160       | 0.79                | 4.4                  | 4.2              | 225            | 0.39             |
| 73F474AF    | 470            | 160       | 0.79                | 3.9                  | 4.8              | 200            | 0.39             |
| 73F564AF    | 560            | 160       | 0.79                | 3.6                  | 5.3              | 200            | 0.40             |
| 73F684AF    | 680            | 160       | 0.79                | 3.4                  | 6.0              | 200            | 0.40             |
| 73F824AF    | 820            | 150       | 0.79                | 3.1                  | 6.8              | 200            | 0.44             |
| 73F103AF    | 1000           | 140       | 0.79                | 2.6                  | 7.5              | 150            | 0.47             |
| 73F123AF    | 1200           | 140       | 0.25                | 2.2                  | 7.8              | 150            | 0.54             |
| 73F153AF    | 1500           | 140       | 0.25                | 2.0                  | 8.8              | 150            | 0.58             |
| 73F183AF    | 1800           | 140       | 0.25                | 1.8                  | 11.0             | 150            | 0.61             |
| 73F223AF    | 2200           | 100       | 0.25                | 1.5                  | 12.0             | 150            | 0.44             |
| 73F273AF    | 2700           | 100       | 0.25                | 1.4                  | 13.5             | 125            | 0.47             |
| 73F333AF    | 3300           | 100       | 0.25                | 1.3                  | 15.1             | 125            | 0.50             |
| 73F393AF    | 3900           | 95        | 0.25                | 1.2                  | 18.0             | 125            | 0.51             |
| 73F473AF    | 4700           | 95        | 0.25                | 1.0                  | 21.5             | 100            | 0.53             |
| 73F563AF    | 5600           | 95        | 0.25                | 1.0                  | 25.0             | 80             | 0.56             |
| 73F683AF    | 6800           | 95        | 0.25                | 0.90                 | 29.0             | 80             | 0.59             |
| 73F823AF    | 8200           | 70        | 0.25                | 0.91                 | 30.0             | 80             | 0.54             |
| 73F102AF    | 10,000         | 65        | 0.25                | 0.85                 | 34.0             | 80             | 0.58             |

For RoHS compliant version, add "-RC" to part number.

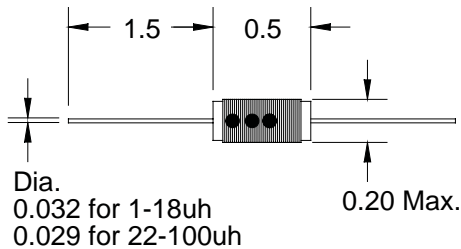
# Varnished Chokes

## Special Features

- High Q, high self-resonant frequency
- High voltage application on phenolic components
- Single layer wound
- Low cost
- Varnish coated
- Color dot identification
- Operating temperature: phenolic -55 to +125 °C; iron -55 to +105 °C

## Notes

\* Current to cause 35 °C max. temperature rise



Dimensions: Inches

| 74F Series  |                 |           |                     |                      |                  |                |                  |
|-------------|-----------------|-----------|---------------------|----------------------|------------------|----------------|------------------|
| Part Number | L (μH)<br>±20 % | Q<br>Min. | Test Freq.<br>(MHz) | SRF<br>(MHz)<br>Min. | DCR<br>Ω<br>Max. | I, DC*<br>(mA) | Core<br>Material |
| 74F106AP    | 1.0             | 45        | 7.96                | 190                  | 0.20             | 1000           | Phenolic         |
| 74F126AP    | 1.2             | 45        | 7.96                | 174                  | 0.22             | 950            | Phenolic         |
| 74F156AP    | 1.5             | 45        | 7.96                | 160                  | 0.25             | 900            | Phenolic         |
| 74F186AP    | 1.8             | 45        | 7.96                | 144                  | 0.28             | 850            | Phenolic         |
| 74F226AP    | 2.2             | 45        | 7.96                | 132                  | 0.30             | 800            | Phenolic         |
| ±10 %       |                 |           |                     |                      |                  |                |                  |
| 74F276AP    | 2.7             | 45        | 7.96                | 119                  | 0.50             | 700            | Phenolic         |
| 74F336AP    | 3.3             | 45        | 7.96                | 108                  | 0.70             | 600            | Phenolic         |
| 74F396AP    | 3.9             | 45        | 7.96                | 101                  | 0.80             | 500            | Phenolic         |
| 74F476AP    | 4.7             | 50        | 7.96                | 91                   | 1.0              | 400            | Phenolic         |
| 74F566AP    | 5.6             | 50        | 7.96                | 83                   | 1.8              | 350            | Phenolic         |
| 74F686AP    | 6.8             | 50        | 7.96                | 75                   | 1.85             | 300            | Phenolic         |
| 74F826AP    | 8.2             | 50        | 7.96                | 68                   | 1.9              | 275            | Phenolic         |
| 74F105AP    | 10              | 50        | 7.96                | 62                   | 3.0              | 250            | Phenolic         |
| 74F125AP    | 12              | 30        | 2.52                | 57                   | 3.6              | 200            | Phenolic         |
| 74F155AP    | 15              | 30        | 2.52                | 51                   | 6.0              | 150            | Phenolic         |
| 74F185AP    | 18              | 30        | 2.52                | 46                   | 7.5              | 100            | Phenolic         |
| 74F225AI    | 22              | 85        | 2.52                | 28                   | 2.0              | 500            | Iron             |
| 74F275AI    | 27              | 80        | 2.52                | 26                   | 1.85             | 450            | Iron             |
| 74F335AI    | 33              | 80        | 2.52                | 24                   | 2.0              | 450            | Iron             |
| 74F395AI    | 39              | 90        | 2.52                | 21                   | 2.6              | 400            | Iron             |
| 74F475AI    | 47              | 90        | 2.52                | 19                   | 3.5              | 350            | Iron             |
| 74F565AI    | 56              | 90        | 2.52                | 18                   | 3.75             | 300            | Iron             |
| 74F685AI    | 68              | 90        | 2.52                | 17                   | 4.0              | 250            | Iron             |
| 74F825AI    | 82              | 100       | 2.52                | 15                   | 5.1              | 200            | Iron             |
| 74F104AI    | 100             | 100       | 2.52                | 14                   | 6.0              | 100            | Iron             |

For RoHS compliant version, add "-RC" to part number.

**BOURNS®**

Tel. (877) 426-8767 • Fax (951) 781-5006

[www.bourns.com](http://www.bourns.com)

# Hash Chokes

## Special Features

- Low cost, low DCR
- High current capacity
- Varnish coated
- Operating temperature -55 to +105 °C
- Ideal for use as EMI filter, output choke, smoothing coil

## Notes

- \* Current to cause 10 % max. inductance drop or 35 °C max. temperature rise

| 5200 Series |              |             |            |            |                |                |               |      |
|-------------|--------------|-------------|------------|------------|----------------|----------------|---------------|------|
| Part Number | L (μH) ±20 % | Test. Freq. | DCR Ω Max. | I, DC* (A) | Coil Dia. Max. | Lead Wire Size | Core Material | Fig. |
| 5218        | 3.35         | 7.96 MHz    | 0.01       | 20         | 0.6            | 12             | Iron          | A    |
| 5219        | 4.9          | 7.96 MHz    | 0.016      | 15         | 0.6            | 14             | Iron          | A    |
| 5220        | 8.8          | 7.96 MHz    | 0.021      | 10         | 0.56           | 16             | Iron          | A    |
| 5230        | 4.0          | 7.96 MHz    | 0.012      | 8          | 0.38           | 20             | Ferrite       | B    |
| 5240        | 40           | 1 KHz       | 0.082      | 3          | 0.31           | 20             | Ferrite       | D    |
| 5248        | 68           | 1 KHz       | 0.054      | 5          | 0.56           | 20             | Ferrite       | C    |
| 5250        | 100          | 1 KHz       | 0.216      | 2          | 0.38           | 20             | Ferrite       | E    |
| 5252        | 125          | 1 KHz       | 0.08       | 3.5        | 0.50           | 20             | Ferrite       | C    |
| 5254        | 250          | 1 KHz       | 0.17       | 2.5        | 0.44           | 20             | Ferrite       | C    |
| 5256        | 500          | 1 KHz       | 0.26       | 2          | 0.56           | 20             | Ferrite       | C    |
| 5258        | 1000         | 1 KHz       | 0.55       | 1          | 0.50           | 20             | Ferrite       | C    |

For RoHS compliant version, add "-RC" to part number.

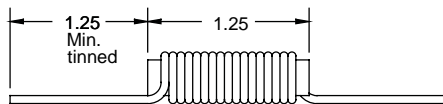


Fig. A

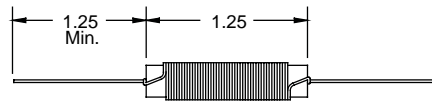


Fig. D

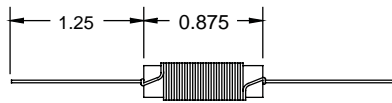


Fig. B

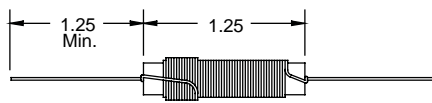


Fig. E

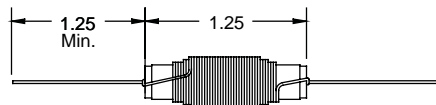


Fig. C

Dimensions: Inches

**BOURNS®**

Tel. (877) 426-8767 • Fax (951) 781-5006

[www.bourns.com](http://www.bourns.com)



**BOURNS®**

Tel. (877) 426-8767 • Fax (951) 781-5006

[www.bourns.com](http://www.bourns.com)



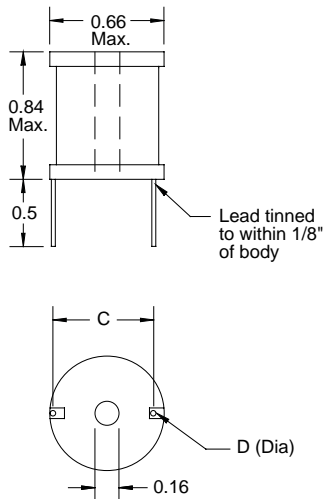
# High Current Chokes

## Special Features

- Very high current capacity
- Low DCR
- Epoxy coated ferrite bobbin core
- VW-1 rated shrink tubing to cover winding
- Self-leaded
- Fixed lead spacing
- Center hole for mechanical mounting
- Dielectric withstanding voltage:  
2500 Vrms terminal to shrink tube cover;  
1000 Vrms terminal to core
- Operating temperature -55 to +105 °C

## Notes

- \* Rated current to cause 50 °C max. temperature rise and 5 % max. inductance drop



Dimensions: Inches

| 1110 Series |                            |                  |               |                      |                   |
|-------------|----------------------------|------------------|---------------|----------------------|-------------------|
| Part Number | L (μH)<br>±20 %<br>@ 1 KHz | DCR<br>Ω<br>Max. | I, dc*<br>(A) | Dim.<br>C<br>Approx. | Dim.<br>D<br>Nom. |
| 1110-1R0M   | 1.0                        | 0.003            | 9             | 0.55                 | 0.051             |
| 1110-1R2M   | 1.2                        | 0.003            | 9             | 0.55                 | 0.051             |
| 1110-1R5M   | 1.5                        | 0.004            | 9             | 0.55                 | 0.051             |
| 1110-1R8M   | 1.8                        | 0.004            | 9             | 0.55                 | 0.051             |
| 1110-2R2M   | 2.2                        | 0.005            | 9             | 0.55                 | 0.051             |
| 1110-2R7M   | 2.7                        | 0.005            | 9             | 0.55                 | 0.051             |
| 1110-3R3M   | 3.3                        | 0.005            | 9             | 0.55                 | 0.051             |
| 1110-3R9M   | 3.9                        | 0.006            | 9             | 0.55                 | 0.051             |
| 1110-4R7M   | 4.7                        | 0.007            | 9             | 0.55                 | 0.051             |
| 1110-5R6M   | 5.6                        | 0.007            | 9             | 0.55                 | 0.051             |
| 1110-6R8M   | 6.8                        | 0.008            | 9             | 0.55                 | 0.051             |
| 1110-8R2M   | 8.2                        | 0.009            | 9             | 0.55                 | 0.051             |
|             | ± 10 %                     |                  |               |                      |                   |
| 1110-100K   | 10                         | 0.010            | 9             | 0.55                 | 0.051             |
| 1110-120K   | 12                         | 0.011            | 9             | 0.55                 | 0.051             |
| 1110-150K   | 15                         | 0.015            | 7.2           | 0.53                 | 0.045             |
| 1110-180K   | 18                         | 0.016            | 7.2           | 0.53                 | 0.045             |
| 1110-220K   | 22                         | 0.020            | 5.5           | 0.53                 | 0.045             |
| 1110-270K   | 27                         | 0.030            | 4.5           | 0.53                 | 0.040             |
| 1110-330K   | 33                         | 0.040            | 4             | 0.53                 | 0.040             |
| 1110-390K   | 39                         | 0.046            | 4             | 0.53                 | 0.040             |
| 1110-470K   | 47                         | 0.062            | 2.8           | 0.53                 | 0.036             |
| 1110-560K   | 56                         | 0.069            | 2.8           | 0.53                 | 0.036             |
| 1110-680K   | 68                         | 0.077            | 2.8           | 0.50                 | 0.032             |
| 1110-820K   | 82                         | 0.083            | 2.8           | 0.50                 | 0.032             |
| 1110-101K   | 100                        | 0.095            | 2.8           | 0.50                 | 0.032             |
| 1110-121K   | 120                        | 0.127            | 2             | 0.50                 | 0.029             |
| 1110-151K   | 150                        | 0.181            | 1.6           | 0.50                 | 0.029             |
| 1110-181K   | 180                        | 0.217            | 1.6           | 0.50                 | 0.025             |
| 1110-221K   | 220                        | 0.240            | 1.6           | 0.50                 | 0.025             |
| 1110-271K   | 270                        | 0.300            | 1.6           | 0.47                 | 0.020             |
| 1110-331K   | 330                        | 0.336            | 1.3           | 0.47                 | 0.020             |
| 1110-391K   | 390                        | 0.460            | 1             | 0.47                 | 0.020             |
| 1110-471K   | 470                        | 0.636            | 0.8           | 0.47                 | 0.020             |
| 1110-561K   | 560                        | 0.696            | 0.8           | 0.47                 | 0.020             |

For RoHS compliant version, add "-RC" to part number.

**BOURNS®**

Tel. (877) 426-8767 • Fax (951) 781-5006

www.bourns.com

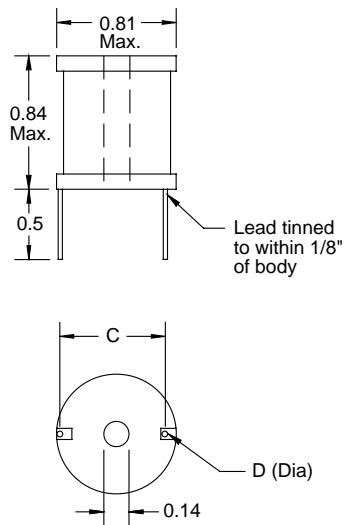
# High Current Chokes

## Special Features

- Very high current capacity
- Low DCR
- Epoxy coated ferrite bobbin core
- VW-1 rated shrink tubing to cover winding
- Self-leaded
- Fixed lead spacing
- Center hole for mechanical mounting
- Dielectric withstanding voltage:  
2500 Vrms terminal to shrink tube cover;  
1000 Vrms terminal to core
- Operating temperature -55 to +105 °C

## Notes

- \* Rated current to cause 50 °C max. temperature rise and 5 % max. inductance drop



Dimensions: Inches

| 1120 Series |                            |                  |               |                      |                   |
|-------------|----------------------------|------------------|---------------|----------------------|-------------------|
| Part Number | L (μH)<br>±20 %<br>@ 1 KHz | DCR<br>Ω<br>Max. | I, dc*<br>(A) | Dim.<br>C<br>Approx. | Dim.<br>D<br>Nom. |
| 1120-1R0M   | 1.0                        | 0.003            | 11.4          | 0.63                 | 0.072             |
| 1120-1R2M   | 1.2                        | 0.003            | 11.4          | 0.63                 | 0.072             |
| 1120-1R5M   | 1.5                        | 0.003            | 11.4          | 0.63                 | 0.072             |
| 1120-1R8M   | 1.8                        | 0.003            | 11.4          | 0.63                 | 0.072             |
| 1120-2R2M   | 2.2                        | 0.004            | 11.4          | 0.63                 | 0.072             |
| 1120-2R7M   | 2.7                        | 0.005            | 11.4          | 0.63                 | 0.064             |
| 1120-3R3M   | 3.3                        | 0.005            | 11.4          | 0.63                 | 0.064             |
| 1120-3R9M   | 3.9                        | 0.005            | 11.4          | 0.63                 | 0.064             |
| 1120-4R7M   | 4.7                        | 0.005            | 11.4          | 0.63                 | 0.064             |
| 1120-5R6M   | 5.6                        | 0.006            | 11.4          | 0.63                 | 0.064             |
| 1120-6R8M   | 6.8                        | 0.007            | 11.4          | 0.63                 | 0.064             |
| 1120-8R2M   | 8.2                        | 0.007            | 11.4          | 0.63                 | 0.064             |
|             | ± 10 %                     |                  |               |                      |                   |
| 1120-100K   | 10                         | 0.009            | 11.4          | 0.63                 | 0.064             |
| 1120-120K   | 12                         | 0.009            | 11.4          | 0.63                 | 0.057             |
| 1120-150K   | 15                         | 0.013            | 9             | 0.63                 | 0.057             |
| 1120-180K   | 18                         | 0.018            | 7.2           | 0.63                 | 0.051             |
| 1120-220K   | 22                         | 0.019            | 7.2           | 0.63                 | 0.051             |
| 1120-270K   | 27                         | 0.026            | 5.5           | 0.63                 | 0.051             |
| 1120-330K   | 33                         | 0.029            | 5.5           | 0.60                 | 0.045             |
| 1120-390K   | 39                         | 0.030            | 5.5           | 0.60                 | 0.045             |
| 1120-470K   | 47                         | 0.035            | 5.5           | 0.62                 | 0.045             |
| 1120-560K   | 56                         | 0.039            | 5.5           | 0.62                 | 0.040             |
| 1120-680K   | 68                         | 0.053            | 4.8           | 0.62                 | 0.040             |
| 1120-820K   | 82                         | 0.060            | 4.8           | 0.62                 | 0.040             |
| 1120-101K   | 100                        | 0.080            | 4             | 0.62                 | 0.036             |
| 1120-121K   | 120                        | 0.090            | 4             | 0.62                 | 0.036             |
| 1120-151K   | 150                        | 0.098            | 4             | 0.62                 | 0.032             |
| 1120-181K   | 180                        | 0.110            | 4             | 0.62                 | 0.032             |
| 1120-221K   | 220                        | 0.150            | 2.8           | 0.62                 | 0.032             |
| 1120-271K   | 270                        | 0.213            | 2             | 0.60                 | 0.029             |
| 1120-331K   | 330                        | 0.305            | 1.6           | 0.60                 | 0.029             |
| 1120-391K   | 390                        | 0.320            | 1.6           | 0.60                 | 0.025             |
| 1120-471K   | 470                        | 0.355            | 1.6           | 0.60                 | 0.025             |
| 1120-561K   | 560                        | 0.388            | 1.6           | 0.60                 | 0.025             |
| 1120-681K   | 680                        | 0.430            | 1.6           | 0.60                 | 0.025             |
| 1120-821K   | 820                        | 0.590            | 1.3           | 0.60                 | 0.023             |
| 1120-102K   | 1000                       | 0.818            | 1             | 0.60                 | 0.020             |
| 1120-122K   | 1200                       | 1.14             | 0.8           | 0.60                 | 0.020             |
| 1120-152K   | 1500                       | 1.26             | 0.8           | 0.60                 | 0.020             |
| 1120-182K   | 1800                       | 1.39             | 0.8           | 0.60                 | 0.018             |
| 1120-222K   | 2200                       | 1.54             | 0.8           | 0.60                 | 0.018             |

For RoHS compliant version, add "-RC" to part number.

**BOURNS®**

Tel. (877) 426-8767 • Fax (951) 781-5006

www.bourns.com

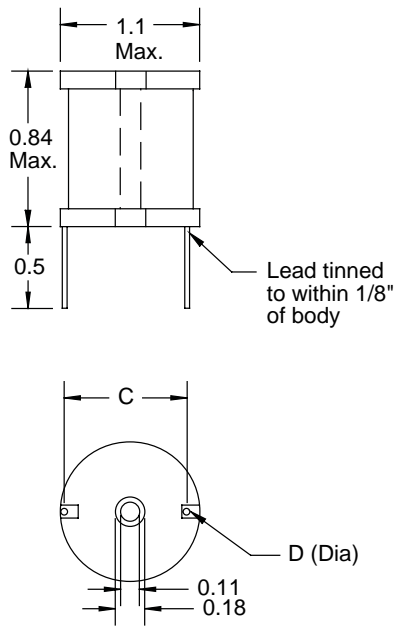
# High Current Chokes

## Special Features

- Very high current capacity
- Low DCR
- Epoxy coated ferrite bobbin core
- VW-1 rated shrink tubing to cover winding
- Self-leaded
- Fixed lead spacing
- Center hole for mechanical mounting
- Dielectric withstanding voltage:  
2500 Vrms terminal to shrink tube cover;  
1000 Vrms terminal to core
- Operating temperature -55 to +105 °C

## Notes

- \* Rated current to cause 50 °C max. temperature rise and 5 % max. inductance drop



Dimensions: Inches

| 1130 Series |                            |                  |                          |                      |                   |
|-------------|----------------------------|------------------|--------------------------|----------------------|-------------------|
| Part Number | L (μH)<br>±20 %<br>@ 1 KHz | DCR<br>Ω<br>Max. | I <sub>dc</sub> *<br>(A) | Dim.<br>C<br>Approx. | Dim.<br>D<br>Nom. |
| 1130-1R0M   | 1.0                        | 0.003            | 21                       | 0.80                 | 0.081             |
| 1130-1R2M   | 1.2                        | 0.003            | 21                       | 0.80                 | 0.081             |
| 1130-1R5M   | 1.5                        | 0.003            | 21                       | 0.80                 | 0.081             |
| 1130-1R8M   | 1.8                        | 0.003            | 21                       | 0.80                 | 0.081             |
| 1130-2R2M   | 2.2                        | 0.003            | 21                       | 0.80                 | 0.081             |
| 1130-2R7M   | 2.7                        | 0.003            | 21                       | 0.80                 | 0.081             |
| 1130-3R3M   | 3.3                        | 0.003            | 21                       | 0.80                 | 0.081             |
| 1130-3R9M   | 3.9                        | 0.003            | 21                       | 0.80                 | 0.081             |
| 1130-4R7M   | 4.7                        | 0.003            | 21                       | 0.80                 | 0.081             |
| 1130-5R6M   | 5.6                        | 0.003            | 21                       | 0.82                 | 0.081             |
| 1130-6R8M   | 6.8                        | 0.004            | 21                       | 0.82                 | 0.081             |
| 1130-8R2M   | 8.2                        | 0.004            | 21                       | 0.82                 | 0.081             |
| ± 10 %      |                            |                  |                          |                      |                   |
| 1130-100K   | 10                         | 0.006            | 17                       | 0.82                 | 0.081             |
| 1130-120K   | 12                         | 0.008            | 13.5                     | 0.80                 | 0.072             |
| 1130-150K   | 15                         | 0.009            | 13.5                     | 0.80                 | 0.072             |
| 1130-180K   | 18                         | 0.010            | 13.5                     | 0.80                 | 0.072             |
| 1130-220K   | 22                         | 0.011            | 13.5                     | 0.79                 | 0.064             |
| 1130-270K   | 27                         | 0.012            | 13.5                     | 0.79                 | 0.064             |
| 1130-330K   | 33                         | 0.017            | 13.5                     | 0.79                 | 0.064             |
| 1130-390K   | 39                         | 0.022            | 11.4                     | 0.79                 | 0.057             |
| 1130-470K   | 47                         | 0.024            | 9                        | 0.79                 | 0.057             |
| 1130-560K   | 56                         | 0.026            | 9                        | 0.79                 | 0.057             |
| 1130-680K   | 68                         | 0.029            | 9                        | 0.79                 | 0.057             |
| 1130-820K   | 82                         | 0.032            | 9                        | 0.79                 | 0.051             |
| 1130-101K   | 100                        | 0.034            | 9                        | 0.79                 | 0.051             |
| 1130-121K   | 120                        | 0.046            | 7.2                      | 0.79                 | 0.051             |
| 1130-151K   | 150                        | 0.064            | 5.5                      | 0.77                 | 0.045             |
| 1130-181K   | 180                        | 0.072            | 5.5                      | 0.77                 | 0.045             |
| 1130-221K   | 220                        | 0.080            | 5.5                      | 0.77                 | 0.040             |
| 1130-271K   | 270                        | 0.110            | 4.5                      | 0.77                 | 0.040             |
| 1130-331K   | 330                        | 0.122            | 4.5                      | 0.77                 | 0.040             |
| 1130-391K   | 390                        | 0.169            | 4                        | 0.77                 | 0.036             |
| 1130-471K   | 470                        | 0.187            | 4                        | 0.77                 | 0.036             |
| 1130-561K   | 560                        | 0.205            | 4                        | 0.77                 | 0.032             |
| 1130-681K   | 680                        | 0.256            | 2.8                      | 0.77                 | 0.032             |
| 1130-821K   | 820                        | 0.288            | 2.8                      | 0.77                 | 0.032             |
| 1130-102K   | 1000                       | 0.426            | 2                        | 0.75                 | 0.029             |
| 1130-122K   | 1200                       | 0.426            | 2                        | 0.75                 | 0.029             |
| 1130-152K   | 1500                       | 0.518            | 2                        | 0.75                 | 0.025             |
| 1130-182K   | 1800                       | 0.705            | 1.6                      | 0.75                 | 0.025             |
| 1130-222K   | 2200                       | 1.02             | 1.3                      | 0.75                 | 0.025             |
| 1130-272K   | 2700                       | 1.14             | 1.3                      | 0.75                 | 0.023             |
| 1130-332K   | 3300                       | 1.27             | 1.3                      | 0.75                 | 0.020             |
| 1130-392K   | 3900                       | 1.67             | 1                        | 0.75                 | 0.020             |
| 1130-472K   | 4700                       | 1.86             | 1                        | 0.75                 | 0.020             |

For RoHS compliant version, add "-RC" to part number.

**BOURNS®**

Tel. (877) 426-8767 • Fax (951) 781-5006

www.bourns.com

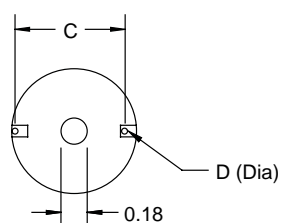
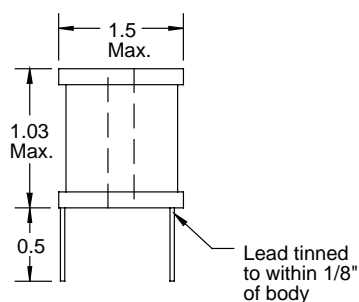
# High Current Chokes

## Special Features

- Very high current capacity
- Low DCR
- Epoxy coated ferrite bobbin core
- VW-1 rated shrink tubing to cover winding
- Self-leaded
- Fixed lead spacing
- Center hole for mechanical mounting
- Dielectric withstanding voltage:  
2500 Vrms terminal to shrink tube cover;  
1000 Vrms terminal to core
- Operating temperature -55 to +105 °C

## Notes

- \* Rated current to cause 50 °C max. temperature rise and 5 % max. inductance drop



Dimensions: Inches

| 1140 Series |                            |                  |               |                      |                   |
|-------------|----------------------------|------------------|---------------|----------------------|-------------------|
| Part Number | L (μH)<br>±20 %<br>@ 1 KHz | DCR<br>Ω<br>Max. | I, dc*<br>(A) | Dim.<br>C<br>Approx. | Dim.<br>D<br>Nom. |
| 1140-1R8M   | 1.8                        | 0.002            | 27            | 1.11                 | 0.081             |
| 1140-2R2M   | 2.2                        | 0.002            | 27            | 1.11                 | 0.081             |
| 1140-2R7M   | 2.7                        | 0.003            | 27            | 1.11                 | 0.081             |
| 1140-3R3M   | 3.3                        | 0.003            | 27            | 1.11                 | 0.081             |
| 1140-3R9M   | 3.9                        | 0.003            | 27            | 1.11                 | 0.081             |
| 1140-4R7M   | 4.7                        | 0.003            | 27            | 1.11                 | 0.081             |
| 1140-5R6M   | 5.6                        | 0.004            | 27            | 1.11                 | 0.081             |
| 1140-6R8M   | 6.8                        | 0.004            | 27            | 1.15                 | 0.081             |
| 1140-8R2M   | 8.2                        | 0.004            | 27            | 1.15                 | 0.081             |
|             | ± 10 %                     |                  |               |                      |                   |
| 1140-100K   | 10                         | 0.005            | 27            | 1.15                 | 0.081             |
| 1140-120K   | 12                         | 0.005            | 27            | 1.15                 | 0.081             |
| 1140-150K   | 15                         | 0.006            | 27            | 1.15                 | 0.081             |
| 1140-180K   | 18                         | 0.008            | 27            | 1.15                 | 0.081             |
| 1140-220K   | 22                         | 0.009            | 21            | 1.15                 | 0.081             |
| 1140-270K   | 27                         | 0.010            | 21            | 1.15                 | 0.081             |
| 1140-330K   | 33                         | 0.011            | 21            | 1.15                 | 0.072             |
| 1140-390K   | 39                         | 0.012            | 21            | 1.15                 | 0.072             |
| 1140-470K   | 47                         | 0.018            | 14.4          | 1.15                 | 0.072             |
| 1140-560K   | 56                         | 0.019            | 14.4          | 1.15                 | 0.064             |
| 1140-680K   | 68                         | 0.021            | 14.4          | 1.15                 | 0.064             |
| 1140-820K   | 82                         | 0.023            | 14.4          | 1.15                 | 0.064             |
| 1140-101K   | 100                        | 0.025            | 14.4          | 1.15                 | 0.064             |
| 1140-121K   | 120                        | 0.028            | 14.4          | 1.15                 | 0.057             |
| 1140-151K   | 150                        | 0.040            | 11.4          | 1.15                 | 0.057             |
| 1140-181K   | 180                        | 0.045            | 11.4          | 1.15                 | 0.057             |
| 1140-221K   | 220                        | 0.050            | 11.4          | 1.15                 | 0.051             |
| 1140-271K   | 270                        | 0.056            | 11.4          | 1.15                 | 0.051             |
| 1140-331K   | 330                        | 0.074            | 11.4          | 1.15                 | 0.051             |
| 1140-391K   | 390                        | 0.082            | 9             | 1.15                 | 0.045             |
| 1140-471K   | 470                        | 0.114            | 7.2           | 1.15                 | 0.045             |
| 1140-561K   | 560                        | 0.125            | 7.2           | 1.15                 | 0.040             |
| 1140-681K   | 680                        | 0.139            | 7.2           | 1.15                 | 0.040             |
| 1140-821K   | 820                        | 0.154            | 7.2           | 1.15                 | 0.040             |
| 1140-102K   | 1000                       | 0.216            | 5.5           | 1.15                 | 0.040             |
| 1140-122K   | 1200                       | 0.232            | 5.5           | 1.14                 | 0.036             |
| 1140-152K   | 1500                       | 0.324            | 4.5           | 1.14                 | 0.036             |
| 1140-182K   | 1800                       | 0.360            | 4.5           | 1.14                 | 0.036             |
| 1140-222K   | 2200                       | 0.494            | 4             | 1.10                 | 0.032             |
| 1140-272K   | 2700                       | 0.555            | 4             | 1.12                 | 0.032             |
| 1140-332K   | 3300                       | 0.773            | 2.8           | 1.10                 | 0.029             |
| 1140-392K   | 3900                       | 0.845            | 2.8           | 1.10                 | 0.029             |
| 1140-472K   | 4700                       | 1.14             | 2             | 1.12                 | 0.029             |
| 1140-562K   | 5600                       | 1.60             | 2             | 1.09                 | 0.025             |
| 1140-682K   | 6800                       | 1.76             | 1.6           | 1.12                 | 0.025             |
| 1140-822K   | 8200                       | 1.95             | 1.6           | 1.09                 | 0.023             |
| 1140-103K   | 10,000                     | 2.76             | 1.3           | 1.11                 | 0.023             |
| 1140-123K   | 12,000                     | 3.04             | 1.3           | 1.08                 | 0.020             |
| 1140-153K   | 15,000                     | 3.39             | 1.3           | 1.10                 | 0.020             |

For RoHS compliant version, add "-RC" to part number.

**BOURNS®**

Tel. (877) 426-8767 • Fax (951) 781-5006

www.bourns.com

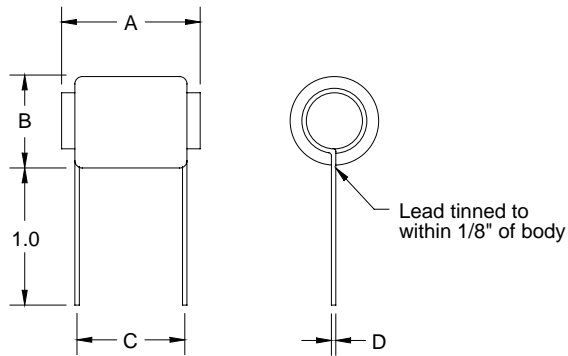
# High Current Chokes

## Special Features

- Very high current capacity
- Low DCR
- Ferrite core
- VW-1 rated shrink tubing to cover winding
- Fixed lead spacing
- Operating temperature: -55 to +105 °C

## Notes

- \* Current to cause 5 % max. inductance drop or 35 °C max. temperature rise



Dimensions: Inches

| 5500 Series |                            |                  |               |                   |                   |                   |                    |
|-------------|----------------------------|------------------|---------------|-------------------|-------------------|-------------------|--------------------|
| Part Number | L (μH)<br>±20 %<br>@ 1 KHz | DCR<br>Ω<br>Max. | I, DC*<br>(A) | Dim.<br>A<br>Max. | Dim.<br>B<br>Max. | Dim.<br>C<br>±.06 | Dim.<br>D<br>±.005 |
| 5501        | 5                          | 0.013            | 10            | 0.88              | 0.63              | 0.50              | 0.042              |
| 5502        | 10                         | 0.017            | 9             | 1.12              | 0.63              | 0.69              | 0.042              |
| 5503        | 27                         | 0.030            | 7             | 0.88              | 0.81              | 0.44              | 0.042              |
| 5504        | 50                         | 0.045            | 5.6           | 0.88              | 0.81              | 0.75              | 0.042              |
| 5505        | 100                        | 0.061            | 4.9           | 1.12              | 0.81              | 0.94              | 0.042              |
| 5506        | 150                        | 0.069            | 4.6           | 1.38              | 0.81              | 1.06              | 0.042              |
| 5507        | 250                        | 0.089            | 4             | 1.62              | 0.81              | 1.31              | 0.042              |
| 5508        | 5                          | 0.009            | 14            | 0.88              | 0.64              | 0.75              | 0.053              |
| 5509        | 10                         | 0.012            | 12            | 1.12              | 0.64              | 1.00              | 0.053              |
| 5510        | 27                         | 0.022            | 9             | 0.88              | 0.88              | 0.56              | 0.053              |
| 5511        | 50                         | 0.028            | 8             | 1.12              | 0.88              | 0.75              | 0.053              |
| 5512        | 68                         | 0.034            | 7.3           | 1.12              | 0.88              | 0.88              | 0.053              |
| 5513        | 100                        | 0.038            | 6.8           | 1.38              | 0.88              | 1.00              | 0.053              |
| 5514        | 150                        | 0.046            | 6.3           | 1.62              | 0.88              | 1.25              | 0.053              |
| 5515        | 5                          | 0.006            | 19            | 1.12              | 0.69              | 0.81              | 0.065              |
| 5516        | 10                         | 0.008            | 16            | 1.38              | 0.69              | 1.22              | 0.065              |
| 5517        | 27                         | 0.014            | 12.5          | 1.12              | 0.94              | 0.69              | 0.065              |
| 5518        | 50                         | 0.020            | 10.5          | 1.38              | 0.94              | 0.94              | 0.065              |
| 5519        | 68                         | 0.023            | 10            | 1.38              | 0.94              | 1.12              | 0.065              |
| 5520        | 100                        | 0.027            | 10            | 1.62              | 0.94              | 1.31              | 0.065              |
| 5521        | 5                          | 0.004            | 23            | 1.38              | 0.72              | 0.94              | 0.082              |
| 5522        | 10                         | 0.006            | 20            | 1.69              | 0.72              | 1.50              | 0.082              |
| 5523        | 27                         | 0.010            | 15            | 1.38              | 1.00              | 0.94              | 0.082              |
| 5524        | 50                         | 0.013            | 15            | 1.62              | 1.00              | 1.12              | 0.082              |

For RoHS compliant version, add "-RC" to part number.

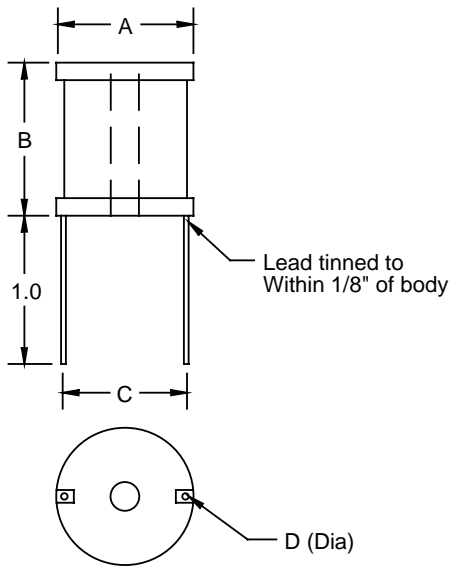
# High Current Chokes

## Special Features

- Very high current capacity
- Low DCR
- Ferrite bobbin core
- VW-1 rated shrink tubing to cover winding
- Fixed lead spacing
- Operating temperature -55 to +105 °C

## Notes

- \* Current to cause 5 % max. inductance drop or 35 °C max. temperature rise



Dimensions: Inches

| 5600 Series |                            |                  |               |                   |                   |                   |                    |
|-------------|----------------------------|------------------|---------------|-------------------|-------------------|-------------------|--------------------|
| Part Number | L (μH)<br>±10 %<br>@ 1 KHz | DCR<br>Ω<br>Max. | I, DC*<br>(A) | Dim.<br>A<br>Max. | Dim.<br>B<br>Max. | Dim.<br>C<br>±.06 | Dim.<br>D<br>±.005 |
| 5601        | 5                          | 0.007            | 15            | 0.83              | 0.91              | 0.59              | 0.065              |
| 5602        | 10                         | 0.008            | 14            | 0.83              | 0.91              | 0.60              | 0.065              |
| 5603        | 25                         | 0.023            | 8             | 0.83              | 0.91              | 0.57              | 0.042              |
| 5604        | 50                         | 0.034            | 6.6           | 0.83              | 0.91              | 0.65              | 0.042              |
| 5605        | 100                        | 0.072            | 4.5           | 0.83              | 0.91              | 0.69              | 0.042              |
| 5606        | 250                        | 0.173            | 2.9           | 0.83              | 0.91              | 0.65              | 0.042              |
| 5607        | 500                        | 0.378            | 2             | 0.83              | 0.91              | 0.68              | 0.042              |
| 5608        | 1000                       | 0.801            | 1.3           | 0.83              | 0.91              | 0.66              | 0.042              |
| 5609        | 2500                       | 2.040            | .85           | 0.83              | 0.91              | 0.71              | 0.042              |
| 5610        | 5                          | 0.005            | 20            | 1.22              | 1.11              | 0.94              | 0.082              |
| 5611        | 10                         | 0.006            | 17            | 1.22              | 1.11              | 0.95              | 0.082              |
| 5612        | 25                         | 0.009            | 14            | 1.22              | 1.11              | 0.93              | 0.082              |
| 5613        | 50                         | 0.017            | 10            | 1.22              | 1.11              | 0.99              | 0.065              |
| 5614        | 100                        | 0.034            | 7             | 1.22              | 1.11              | 0.85              | 0.053              |
| 5615        | 250                        | 0.083            | 4.6           | 1.22              | 1.11              | 0.97              | 0.053              |
| 5616        | 500                        | 0.129            | 3.7           | 1.22              | 1.11              | 1.12              | 0.053              |
| 5617        | 1000                       | 0.279            | 2.5           | 1.22              | 1.11              | 1.05              | 0.053              |
| 5618        | 2500                       | 0.690            | 1.6           | 1.22              | 1.11              | 1.05              | 0.053              |
| 5619        | 50                         | 0.012            | 14            | 1.50              | 1.11              | 1.23              | 0.082              |
| 5620        | 100                        | 0.027            | 9.8           | 1.50              | 1.11              | 1.12              | 0.065              |
| 5621        | 250                        | 0.059            | 6.4           | 1.50              | 1.11              | 1.10              | 0.053              |
| 5622        | 500                        | 0.090            | 5             | 1.50              | 1.11              | 1.14              | 0.053              |
| 5623        | 1000                       | 0.195            | 3.5           | 1.50              | 1.11              | 1.36              | 0.053              |
| 5624        | 2500                       | 0.499            | 2.2           | 1.50              | 1.11              | 1.32              | 0.053              |
| 5625        | 5000                       | 1.080            | 1.5           | 1.50              | 1.11              | 1.27              | 0.053              |
| 5626        | 100                        | 0.018            | 14            | 1.50              | 1.50              | 1.18              | 0.082              |
| 5627        | 250                        | 0.040            | 9             | 1.50              | 1.50              | 1.12              | 0.065              |
| 5628        | 500                        | 0.085            | 6.5           | 1.50              | 1.50              | 1.06              | 0.053              |
| 5629        | 1000                       | 0.183            | 4.4           | 1.50              | 1.50              | 1.23              | 0.053              |
| 5630        | 2500                       | 0.464            | 2.8           | 1.50              | 1.50              | 1.21              | 0.053              |
| 5631        | 5000                       | 0.714            | 2.2           | 1.50              | 1.50              | 1.63              | 0.053              |
| 5632        | 10,000                     | 1.560            | 1.5           | 1.62              | 1.50              | 1.25              | 0.053              |

For RoHS compliant version, add "-RC" to part number.

**BOURNS®**

Tel. (877) 426-8767 • Fax (951) 781-5006

www.bourns.com

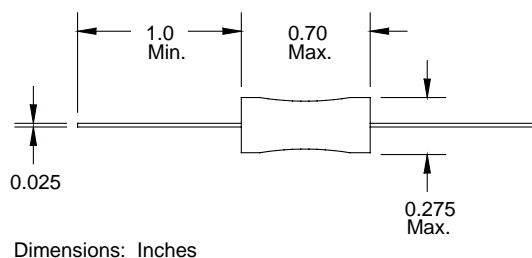
# High Current Chokes

## Special Features

- High current capacity
- Low DCR
- Ferrite bobbin core
- VW-1 rated shrink tubing to cover winding
- Dash No. marking for identification
- Dielectric strength 2500 Vrms
- Operating temperature -55 to +105 °C
- Test frequency 1 KHz

## Notes

- \* Saturation current to cause 10 % max. inductance drop
- \*\* Rated current to cause 35 °C max. temperature rise



| 5800 Series |                 |       |      |                  |       |
|-------------|-----------------|-------|------|------------------|-------|
| Part Number | L (μH)<br>±10 % | DCR   |      | I rated**<br>(A) |       |
|             |                 | Ω     | Max. |                  |       |
| 5800-3R9    | 3.9             | 0.019 |      | 7.3              | 1.28  |
| 5800-4R7    | 4.7             | 0.022 |      | 6.3              | 1.28  |
| 5800-5R6    | 5.6             | 0.024 |      | 5.6              | 1.28  |
| 5800-6R8    | 6.8             | 0.026 |      | 5.3              | 1.28  |
| 5800-8R2    | 8.2             | 0.028 |      | 4.5              | 1.28  |
| 5800-100    | 10              | 0.033 |      | 4.1              | 1.28  |
| 5800-120    | 12              | 0.037 |      | 3.6              | 1.28  |
| 5800-150    | 15              | 0.040 |      | 3.3              | 1.28  |
| 5800-180    | 18              | 0.044 |      | 3.0              | 1.28  |
| 5800-220    | 22              | 0.050 |      | 2.7              | 1.28  |
| 5800-270    | 27              | 0.058 |      | 2.5              | 1.28  |
| 5800-330    | 33              | 0.075 |      | 2.2              | 1.008 |
| 5800-390    | 39              | 0.094 |      | 2.0              | 0.804 |
| 5800-470    | 47              | 0.109 |      | 1.8              | 0.804 |
| 5800-560    | 56              | 0.140 |      | 1.7              | 0.804 |
| 5800-680    | 68              | 0.145 |      | 1.5              | 0.804 |
| 5800-820    | 82              | 0.152 |      | 1.4              | 0.804 |
| 5800-101    | 100             | 0.208 |      | 1.2              | 0.632 |
| 5800-121    | 120             | 0.283 |      | 1.1              | 0.508 |
| 5800-151    | 150             | 0.34  |      | 1.0              | 0.508 |
| 5800-181    | 180             | 0.362 |      | 0.95             | 0.508 |
| 5800-221    | 220             | 0.43  |      | 0.86             | 0.508 |
| 5800-271    | 270             | 0.557 |      | 0.77             | 0.400 |
| 5800-331    | 330             | 0.665 |      | 0.70             | 0.400 |
| 5800-391    | 390             | 0.772 |      | 0.64             | 0.400 |
| 5800-471    | 470             | 1.15  |      | 0.59             | 0.315 |
| 5800-561    | 560             | 1.27  |      | 0.54             | 0.315 |
| 5800-681    | 680             | 1.61  |      | 0.49             | 0.250 |
| 5800-821    | 820             | 1.96  |      | 0.44             | 0.200 |
| 5800-102    | 1000            | 2.3   |      | 0.40             | 0.200 |
| 5800-122    | 1200            | 2.65  |      | 0.35             | 0.200 |
| 5800-152    | 1500            | 3.45  |      | 0.33             | 0.158 |
| 5800-182    | 1800            | 4.03  |      | 0.29             | 0.158 |
| 5800-222    | 2200            | 4.48  |      | 0.27             | 0.158 |
| 5800-272    | 2700            | 5.9   |      | 0.24             | 0.125 |
| 5800-332    | 3300            | 6.56  |      | 0.22             | 0.125 |
| 5800-392    | 3900            | 8.63  |      | 0.20             | 0.100 |
| 5800-472    | 4700            | 10.5  |      | 0.18             | 0.100 |
| 5800-562    | 5600            | 13.9  |      | 0.166            | 0.082 |
| 5800-682    | 6800            | 16.3  |      | 0.151            | 0.082 |
| 5800-822    | 8200            | 20.8  |      | 0.136            | 0.065 |
| 5800-103    | 10,000          | 26.4  |      | 0.125            | 0.050 |
| 5800-123    | 12,000          | 29.9  |      | 0.114            | 0.050 |
| 5800-153    | 15,000          | 42.5  |      | 0.098            | 0.039 |
| 5800-183    | 18,000          | 48.3  |      | 0.091            | 0.039 |

For RoHS compliant version, add "-RC" to part number.

**BOURNS®**

Tel. (877) 426-8767 • Fax (951) 781-5006

www.bourns.com

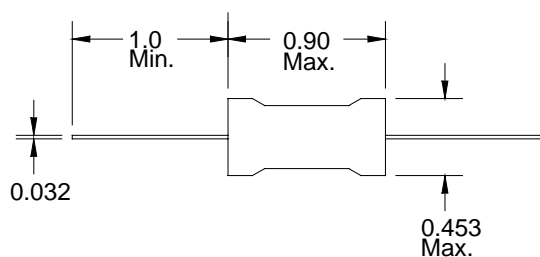
# High Current Chokes

## Special Features

- High current capacity
- Low DCR
- Ferrite bobbin core
- VW-1 rated shrink tubing to cover winding
- Dash No. marking for identification
- Dielectric strength 2500 Vrms
- Operating temperature -55 to +105 °C
- Test frequency 1 KHz

## Notes

- \* Saturation current to cause 10 % max. inductance drop
- \*\* Rated current to cause 35 °C max. temperature rise



| 5900 Series |                 |       |      |                |                  |
|-------------|-----------------|-------|------|----------------|------------------|
| Part Number | L (μH)<br>±10 % | DCR   |      | I sat.*<br>(A) | I rated**<br>(A) |
|             |                 | Ω     | Max. |                |                  |
| 5900-3R9    | 3.9             | 0.007 |      | 15.5           | 4.0              |
| 5900-4R7    | 4.7             | 0.008 |      | 13.9           | 4.0              |
| 5900-5R6    | 5.6             | 0.011 |      | 12.6           | 4.0              |
| 5900-6R8    | 6.8             | 0.011 |      | 11.6           | 4.0              |
| 5900-8R2    | 8.2             | 0.013 |      | 9.89           | 4.0              |
| 5900-100    | 10              | 0.017 |      | 8.70           | 4.0              |
| 5900-120    | 12              | 0.019 |      | 8.21           | 4.0              |
| 5900-150    | 15              | 0.022 |      | 7.34           | 4.0              |
| 5900-180    | 18              | 0.023 |      | 6.64           | 4.0              |
| 5900-220    | 22              | 0.026 |      | 6.07           | 4.0              |
| 5900-270    | 27              | 0.027 |      | 5.36           | 4.0              |
| 5900-330    | 33              | 0.032 |      | 4.82           | 4.0              |
| 5900-390    | 39              | 0.033 |      | 4.36           | 4.0              |
| 5900-470    | 47              | 0.035 |      | 3.98           | 4.0              |
| 5900-560    | 56              | 0.037 |      | 3.66           | 3.2              |
| 5900-680    | 68              | 0.047 |      | 3.31           | 2.5              |
| 5900-820    | 82              | 0.060 |      | 3.10           | 2.0              |
| 5900-101    | 100             | 0.090 |      | 2.79           | 1.6              |
| 5900-121    | 120             | 0.113 |      | 2.54           | 1.6              |
| 5900-151    | 150             | 0.129 |      | 2.22           | 1.6              |
| 5900-181    | 180             | 0.150 |      | 1.98           | 1.6              |
| 5900-221    | 220             | 0.162 |      | 1.89           | 1.6              |
| 5900-271    | 270             | 0.208 |      | 1.63           | 1.6              |
| 5900-331    | 330             | 0.212 |      | 1.51           | 1.6              |
| 5900-391    | 390             | 0.281 |      | 1.39           | 1.6              |
| 5900-471    | 470             | 0.380 |      | 1.24           | 1.2              |
| 5900-561    | 560             | 0.420 |      | 1.17           | 1.0              |
| 5900-681    | 680             | 0.548 |      | 1.05           | 1.0              |
| 5900-821    | 820             | 0.655 |      | 0.97           | 0.8              |
| 5900-102    | 1000            | 0.844 |      | 0.87           | 0.8              |
| 5900-122    | 1200            | 1.04  |      | 0.79           | 0.6              |
| 5900-152    | 1500            | 1.18  |      | 0.70           | 0.6              |
| 5900-182    | 1800            | 1.56  |      | 0.64           | 0.6              |
| 5900-222    | 2200            | 2.00  |      | 0.58           | 0.5              |
| 5900-272    | 2700            | 2.06  |      | 0.53           | 0.4              |
| 5900-332    | 3300            | 2.53  |      | 0.47           | 0.4              |
| 5900-392    | 3900            | 2.75  |      | 0.43           | 0.4              |
| 5900-472    | 4700            | 3.19  |      | 0.39           | 0.4              |
| 5900-562    | 5600            | 3.92  |      | 0.359          | 0.315            |
| 5900-682    | 6800            | 5.69  |      | 0.322          | 0.250            |
| 5900-822    | 8200            | 6.32  |      | 0.293          | 0.250            |
| 5900-103    | 10,000          | 7.30  |      | 0.266          | 0.250            |
| 5900-123    | 12,000          | 9.21  |      | 0.241          | 0.200            |
| 5900-153    | 15,000          | 10.5  |      | 0.214          | 0.200            |
| 5900-183    | 18,000          | 14.8  |      | 0.198          | 0.158            |
| 5900-223    | 22,000          | 21.8  |      | 0.180          | 0.125            |
| 5900-273    | 27,000          | 22.7  |      | 0.162          | 0.125            |
| 5900-333    | 33,000          | 25.7  |      | 0.146          | 0.125            |
| 5900-393    | 39,000          | 31.8  |      | 0.135          | 0.100            |
| 5900-473    | 47,000          | 36.1  |      | 0.122          | 0.100            |
| 5900-563    | 56,000          | 40.9  |      | 0.112          | 0.100            |
| 5900-683    | 68,000          | 57.3  |      | 0.101          | 0.082            |
| 5900-823    | 82,000          | 79.3  |      | 0.090          | 0.065            |
| 5900-104    | 100,000         | 89.7  |      | 0.081          | 0.065            |

For RoHS compliant version, add "-RC" to part number.

**BOURNS®**

Tel. (877) 426-8767 • Fax (951) 781-5006

www.bourns.com



# High Current Toroid Inductors

## Special Features

- Low radiation
- Low core loss
- High operation frequency
- High current capacity
- Low core saturation
- Horizontal or vertical mount
- Operating temperature: -55 to +105 °C

## Typical Applications

- High current, low voltage converters
- High-speed computers
- Video game machines
- Output chokes
- EMI filters

## Notes

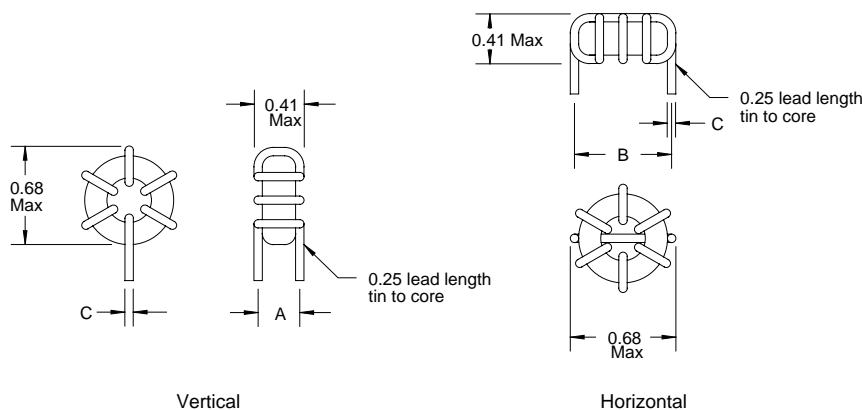
\* Rated current to cause 40 °C temperature rise

Add -H or -V mounting style after P/N

Example : 2000-470-V

| 2000 Series |         |                       |           |        |      |      |       |
|-------------|---------|-----------------------|-----------|--------|------|------|-------|
| Part Number | L (μH)  | I <sub>dc</sub> * (A) | L (μH)    | DCR Ω  | Dim. | Dim. | Dim.  |
|             | ±20 %   |                       | ±20 %     |        | A    | B    | C     |
|             | @ 1 KHz |                       | @ I rated | Max.   | Nom. | Nom. | Nom.  |
| 2000-R3     | 0.3     | 28.5                  | 0.24      | 0.0010 | 0.35 | 0.60 | 0.059 |
| 2000-R5     | 0.5     | 24.7                  | 0.41      | 0.0012 | 0.35 | 0.60 | 0.059 |
| 2000-R8     | 0.8     | 22.1                  | 0.62      | 0.0014 | 0.35 | 0.60 | 0.059 |
| 2000-1R2    | 1.2     | 20.2                  | 0.86      | 0.0017 | 0.35 | 0.60 | 0.059 |
| 2000-1R5    | 1.5     | 18.7                  | 1.14      | 0.0020 | 0.35 | 0.60 | 0.059 |
| 2000-2R0    | 2.0     | 15.6                  | 1.5       | 0.0027 | 0.34 | 0.59 | 0.053 |
| 2000-2R7    | 2.7     | 14.7                  | 1.9       | 0.0030 | 0.34 | 0.59 | 0.053 |
| 2000-3R3    | 3.3     | 11.1                  | 2.5       | 0.0053 | 0.33 | 0.58 | 0.042 |
| 2000-3R9    | 3.9     | 10.5                  | 3.0       | 0.0059 | 0.33 | 0.58 | 0.042 |
| 2000-4R7    | 4.7     | 10.1                  | 3.5       | 0.0064 | 0.33 | 0.58 | 0.042 |
| 2000-5R6    | 5.6     | 9.7                   | 4.0       | 0.0069 | 0.33 | 0.58 | 0.042 |
| 2000-6R8    | 6.8     | 7.2                   | 5.7       | 0.013  | 0.31 | 0.56 | 0.034 |
|             | ± 15 %  |                       | ± 15 %    |        |      |      |       |
| 2000-8R2    | 8.2     | 7.0                   | 6.4       | 0.014  | 0.31 | 0.56 | 0.034 |
| 2000-100    | 10      | 6.6                   | 7.9       | 0.015  | 0.31 | 0.56 | 0.034 |
| 2000-120    | 12      | 6.4                   | 8.7       | 0.016  | 0.31 | 0.56 | 0.034 |
| 2000-150    | 15      | 4.7                   | 12.4      | 0.029  | 0.29 | 0.53 | 0.027 |
| 2000-180    | 18      | 4.5                   | 14.5      | 0.032  | 0.29 | 0.53 | 0.027 |
| 2000-220    | 22      | 4.3                   | 16.7      | 0.035  | 0.29 | 0.53 | 0.027 |
| 2000-270    | 27      | 4.1                   | 20.4      | 0.039  | 0.29 | 0.53 | 0.027 |
| 2000-330    | 33      | 3.5                   | 25.4      | 0.054  | 0.29 | 0.53 | 0.024 |
| 2000-390    | 39      | 3.3                   | 29.9      | 0.059  | 0.29 | 0.53 | 0.024 |
| 2000-470    | 47      | 3.2                   | 34.6      | 0.064  | 0.29 | 0.53 | 0.024 |

For RoHS compliant version, add "-RC" to part number.



Dimensions: Inches

**BOURNS®**

Tel. (877) 426-8767 • Fax (951) 781-5006

www.bourns.com

# High Temperature, High Current Toroid Inductors

## Special Features

- High temperature rating-up to +200 °C
- Low magnetic radiation
- High current capacity
- Horizontal or vertical mount available
- Low cost
- Operating temperature: -55 to +200 °C

## Typical Applications

- High operating temperature environments
- DC/DC converters
- Output chokes
- EMI filters

## Notes

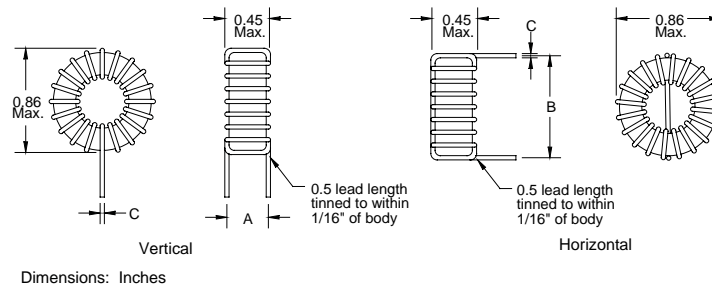
\* Rated Idc causes a 50 °C temperature rise

Add -H or -V mounting style after P/N

Example : 2100HT-271-H

| 2100HT Series |                             |             |                               |                    |                   |                   |                   |
|---------------|-----------------------------|-------------|-------------------------------|--------------------|-------------------|-------------------|-------------------|
| Part Number   | L (μH)<br>± 15 %<br>@ 1 KHz | Idc*<br>(A) | L (μH)<br>± 15 %<br>@ I rated | DCR<br>(Ω)<br>Max. | Dim.<br>A<br>Nom. | Dim.<br>B<br>Nom. | Dim.<br>C<br>Nom. |
| 2100HT-1R0    | 1.0                         | 21.7        | 0.8                           | 0.003              | 0.34              | 0.77              | 0.053             |
| 2100HT-1R5    | 1.5                         | 19.8        | 1.2                           | 0.003              | 0.34              | 0.77              | 0.053             |
| 2100HT-2R2    | 2.2                         | 18.3        | 1.8                           | 0.004              | 0.34              | 0.77              | 0.053             |
| 2100HT-2R7    | 2.7                         | 17.1        | 2.1                           | 0.004              | 0.34              | 0.77              | 0.053             |
| 2100HT-3R3    | 3.3                         | 16.1        | 2.6                           | 0.005              | 0.34              | 0.77              | 0.053             |
| 2100HT-3R9    | 3.9                         | 15.3        | 3.0                           | 0.005              | 0.34              | 0.77              | 0.053             |
| 2100HT-4R7    | 4.7                         | 14.9        | 3.5                           | 0.006              | 0.34              | 0.77              | 0.053             |
| 2100HT-5R6    | 5.6                         | 14.3        | 4.1                           | 0.006              | 0.34              | 0.77              | 0.053             |
| 2100HT-6R8    | 6.8                         | 13.7        | 4.9                           | 0.006              | 0.34              | 0.77              | 0.053             |
| 2100HT-8R2    | 8.2                         | 13.2        | 5.9                           | 0.007              | 0.34              | 0.77              | 0.053             |
| 2100HT-100    | 10                          | 9.9         | 7.6                           | 0.012              | 0.33              | 0.76              | 0.042             |
| 2100HT-120    | 12                          | 9.6         | 9.0                           | 0.013              | 0.33              | 0.76              | 0.042             |
| 2100HT-150    | 15                          | 9.1         | 11.0                          | 0.014              | 0.33              | 0.76              | 0.042             |
| 2100HT-180    | 18                          | 8.6         | 13.0                          | 0.016              | 0.33              | 0.76              | 0.042             |
| 2100HT-220    | 22                          | 6.7         | 16.6                          | 0.026              | 0.32              | 0.75              | 0.034             |
| 2100HT-270    | 27                          | 6.4         | 20.1                          | 0.028              | 0.32              | 0.75              | 0.034             |
| 2100HT-330    | 33                          | 6.1         | 24.0                          | 0.031              | 0.35              | 0.79              | 0.034             |
| 2100HT-390    | 39                          | 5.9         | 28.0                          | 0.033              | 0.35              | 0.79              | 0.034             |
| 2100HT-470    | 47                          | 5.6         | 33.1                          | 0.036              | 0.35              | 0.79              | 0.034             |
| 2100HT-560    | 56                          | 5.3         | 38.5                          | 0.040              | 0.35              | 0.79              | 0.034             |
| 2100HT-680    | 68                          | 5.1         | 46.0                          | 0.044              | 0.35              | 0.79              | 0.034             |
| 2100HT-820    | 82                          | 4.8         | 54.0                          | 0.049              | 0.35              | 0.79              | 0.034             |
| 2100HT-101    | 100                         | 4.6         | 64.5                          | 0.053              | 0.35              | 0.79              | 0.034             |
| 2100HT-121    | 120                         | 3.5         | 84.4                          | 0.094              | 0.34              | 0.77              | 0.027             |
| 2100HT-151    | 150                         | 3.3         | 102.8                         | 0.11               | 0.34              | 0.77              | 0.027             |
| 2100HT-181    | 180                         | 3.1         | 120.7                         | 0.12               | 0.34              | 0.77              | 0.027             |
| 2100HT-221    | 220                         | 3.0         | 144.2                         | 0.13               | 0.35              | 0.79              | 0.027             |
| 2100HT-271    | 270                         | 2.8         | 172.6                         | 0.14               | 0.35              | 0.79              | 0.027             |
| 2100HT-331    | 330                         | 2.7         | 206.0                         | 0.16               | 0.35              | 0.79              | 0.027             |
| 2100HT-391    | 390                         | 2.1         | 266.7                         | 0.27               | 0.33              | 0.76              | 0.022             |
| 2100HT-471    | 470                         | 2.0         | 314.4                         | 0.29               | 0.35              | 0.79              | 0.022             |
| 2100HT-561    | 560                         | 1.9         | 366.9                         | 0.32               | 0.35              | 0.79              | 0.022             |
| 2100HT-681    | 680                         | 1.8         | 435.1                         | 0.35               | 0.35              | 0.79              | 0.022             |
| 2100HT-821    | 820                         | 1.7         | 512.0                         | 0.39               | 0.37              | 0.81              | 0.022             |
| 2100HT-102    | 1000                        | 1.6         | 608.2                         | 0.43               | 0.37              | 0.81              | 0.022             |

For RoHS compliant version, add "-RC" to part number.



**BOURNS®**

Tel. (877) 426-8767 • Fax (951) 781-5006

www.bourns.com

# Low Core Loss, High Current Toroid Inductors

## Special Features

- Low core loss
- Low magnetic radiation
- High current capacity
- Horizontal or vertical mount available
- Operating temperature: -55 to +125 °C

## Typical Applications

- Switch mode power supplies
- DC/DC converters
- Output chokes
- EMI filters

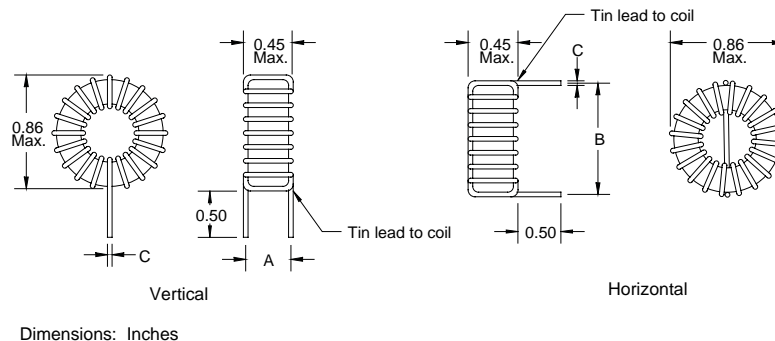
## Notes

\* Rated Idc causes a 30 °C temperature rise

\*\* Insert -H or -V for mounting style before -RC

| 2100LL Series  |                |          |                  |         |      |      |       |
|----------------|----------------|----------|------------------|---------|------|------|-------|
| Part Number ** | L (μH)         | Idc* (A) | L (μH)           | DCR (Ω) | Dim. | Dim. | Dim.  |
|                | ± 20 % @ 1 KHz |          | ± 20 % @ I rated |         | A    | B    | C     |
| 2100LL-1R0-RC  | 1.0            | 21.4     | 0.8              | 0.002   | 0.37 | 0.80 | 0.053 |
| 2100LL-1R5-RC  | 1.5            | 18.5     | 1.1              | 0.002   | 0.37 | 0.80 | 0.053 |
| 2100LL-2R2-RC  | 2.2            | 16.5     | 1.5              | 0.003   | 0.37 | 0.80 | 0.053 |
| 2100LL-3R3-RC  | 3.3            | 15.1     | 2.1              | 0.003   | 0.37 | 0.80 | 0.053 |
| 2100LL-4R7-RC  | 4.7            | 14.0     | 2.9              | 0.003   | 0.37 | 0.80 | 0.053 |
| 2100LL-5R6-RC  | 5.6            | 13.1     | 3.3              | 0.004   | 0.37 | 0.80 | 0.053 |
| 2100LL-6R8-RC  | 6.8            | 12.3     | 3.9              | 0.004   | 0.37 | 0.80 | 0.053 |
| 2100LL-8R2-RC  | 8.2            | 11.7     | 4.5              | 0.005   | 0.37 | 0.80 | 0.053 |
|                | ± 15 %         |          | ± 15 %           |         |      |      |       |
| 2100LL-100-RC  | 10             | 11.4     | 5.2              | 0.005   | 0.37 | 0.80 | 0.053 |
| 2100LL-120-RC  | 12             | 10.9     | 6.1              | 0.006   | 0.37 | 0.80 | 0.053 |
| 2100LL-150-RC  | 15             | 10.5     | 7.3              | 0.006   | 0.37 | 0.80 | 0.053 |
| 2100LL-180-RC  | 18             | 10.1     | 8.5              | 0.007   | 0.37 | 0.80 | 0.053 |
| 2100LL-220-RC  | 22             | 7.5      | 11.8             | 0.012   | 0.35 | 0.78 | 0.042 |
| 2100LL-270-RC  | 27             | 7.3      | 14.2             | 0.012   | 0.35 | 0.78 | 0.042 |
| 2100LL-330-RC  | 33             | 6.9      | 16.6             | 0.014   | 0.35 | 0.78 | 0.042 |
| 2100LL-390-RC  | 39             | 6.6      | 18.8             | 0.015   | 0.35 | 0.78 | 0.042 |
| 2100LL-470-RC  | 47             | 5.2      | 25.3             | 0.024   | 0.33 | 0.76 | 0.034 |
| 2100LL-560-RC  | 56             | 5.0      | 29.3             | 0.026   | 0.33 | 0.76 | 0.034 |
| 2100LL-680-RC  | 68             | 4.7      | 34.0             | 0.030   | 0.40 | 0.76 | 0.034 |
| 2100LL-820-RC  | 82             | 4.6      | 39.9             | 0.032   | 0.40 | 0.76 | 0.034 |
| 2100LL-101-RC  | 100            | 4.3      | 46.2             | 0.036   | 0.40 | 0.76 | 0.034 |
| 2100LL-121-RC  | 120            | 4.1      | 53.5             | 0.039   | 0.40 | 0.76 | 0.034 |
| 2100LL-151-RC  | 150            | 3.9      | 63.8             | 0.043   | 0.40 | 0.76 | 0.034 |
| 2100LL-181-RC  | 180            | 3.7      | 73.3             | 0.048   | 0.40 | 0.76 | 0.034 |
| 2100LL-221-RC  | 220            | 3.5      | 85.1             | 0.053   | 0.40 | 0.76 | 0.034 |
| 2100LL-271-RC  | 270            | 2.7      | 124.2            | 0.093   | 0.37 | 0.74 | 0.027 |
| 2100LL-331-RC  | 330            | 2.5      | 145.1            | 0.103   | 0.37 | 0.74 | 0.027 |
| 2100LL-391-RC  | 390            | 2.4      | 165.4            | 0.112   | 0.37 | 0.74 | 0.027 |
| 2100LL-471-RC  | 470            | 2.3      | 190.1            | 0.124   | 0.38 | 0.76 | 0.027 |
| 2100LL-561-RC  | 560            | 2.2      | 217.9            | 0.134   | 0.38 | 0.76 | 0.027 |
| 2100LL-681-RC  | 680            | 2.1      | 251.9            | 0.147   | 0.38 | 0.76 | 0.027 |
| 2100LL-821-RC  | 820            | 1.6      | 361.6            | 0.257   | 0.37 | 0.75 | 0.022 |
| 2100LL-102-RC  | 1000           | 1.5      | 421.5            | 0.284   | 0.37 | 0.75 | 0.022 |

Only available as RoHS compliant.



**BOURNS®**

Tel. (877) 426-8767 • Fax (951) 781-5006

www.bourns.com

# High Current Toroid Inductors

## Special Features

- DC/DC converter, EMI filter applications
- Low radiation
- Low core loss
- High current capacity
- Horizontal or vertical mount
- Low cost
- Operating temperature -55 to +105 °C

## Notes

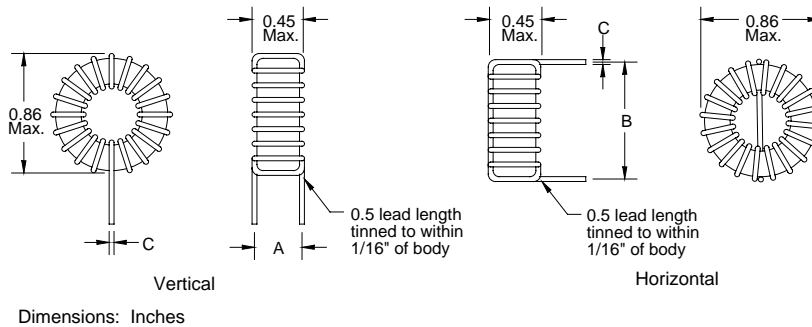
\* Current to cause 30 °C max. temperature rise

Add -H or -V mounting style after P/N

Example : 2113-V

| 2100 Series |               |                       |                 |       |      |      |       |
|-------------|---------------|-----------------------|-----------------|-------|------|------|-------|
| Part Number | L (μH)        | I <sub>dc</sub> * (A) | L (μH)          | DCR Ω | Dim. | Dim. | Dim.  |
|             | ±15 % @ 1 KHz |                       | ±15 % @ I rated |       | A    | B    | C     |
|             |               |                       |                 | Max.  | Nom. | Nom. | Nom.  |
| 2101-       | 10            | 10.8                  | 6.3             | 0.006 | 0.34 | 0.77 | 0.053 |
| 2102-       | 12            | 10.3                  | 7.4             | 0.007 | 0.34 | 0.77 | 0.053 |
| 2103-       | 15            | 7.7                   | 10.2            | 0.012 | 0.33 | 0.76 | 0.042 |
| 2104-       | 18            | 7.4                   | 11.9            | 0.013 | 0.33 | 0.76 | 0.042 |
| 2105-       | 22            | 7.0                   | 14.2            | 0.015 | 0.33 | 0.76 | 0.042 |
| 2106-       | 27            | 5.3                   | 19.1            | 0.026 | 0.32 | 0.75 | 0.034 |
| 2107-       | 33            | 5.0                   | 22.8            | 0.029 | 0.32 | 0.75 | 0.034 |
| 2108-       | 39            | 4.8                   | 26.4            | 0.032 | 0.32 | 0.75 | 0.034 |
| 2109-       | 47            | 3.6                   | 34.7            | 0.055 | 0.31 | 0.75 | 0.027 |
| 2110-       | 56            | 3.4                   | 40.6            | 0.060 | 0.31 | 0.75 | 0.027 |
| 2111-       | 68            | 3.3                   | 48.3            | 0.067 | 0.31 | 0.75 | 0.027 |
| 2112-       | 100           | 2.4                   | 75.2            | 0.13  | 0.31 | 0.74 | 0.022 |
| 2113-       | 120           | 2.2                   | 88.5            | 0.15  | 0.31 | 0.74 | 0.022 |
| 2114-       | 150           | 3.4                   | 84.3            | 0.062 | 0.35 | 0.79 | 0.034 |
| 2115-       | 180           | 2.6                   | 113.1           | 0.11  | 0.34 | 0.77 | 0.027 |
| 2116-       | 220           | 2.4                   | 134.4           | 0.12  | 0.34 | 0.77 | 0.027 |
| 2117-       | 270           | 1.8                   | 181.6           | 0.21  | 0.33 | 0.76 | 0.022 |
| 2118-       | 330           | 1.7                   | 216.3           | 0.23  | 0.33 | 0.76 | 0.022 |
| 2119-       | 390           | 1.7                   | 250.1           | 0.25  | 0.33 | 0.76 | 0.022 |
| 2120-       | 470           | 1.6                   | 293.8           | 0.28  | 0.35 | 0.76 | 0.022 |
| 2121-       | 560           | 1.5                   | 341.5           | 0.30  | 0.35 | 0.79 | 0.022 |
| 2122-       | 680           | 1.4                   | 403.2           | 0.33  | 0.35 | 0.79 | 0.022 |
| 2123-       | 820           | 1.4                   | 472.8           | 0.37  | 0.35 | 0.79 | 0.022 |
| 2124-       | 1000          | 1.3                   | 559.2           | 0.40  | 0.37 | 0.81 | 0.022 |

For RoHS compliant version, add "-RC" to part number.



**BOURNS®**

Tel. (877) 426-8767 • Fax (951) 781-5006

[www.bourns.com](http://www.bourns.com)

# High Temperature, High Current Toroid Inductors

## Special Features

- High temperature rating-up to +200 °C
- Low magnetic radiation
- High current capacity
- Horizontal or vertical mount available
- Low cost
- Operating temperature: -55 to +200 °C

## Typical Applications

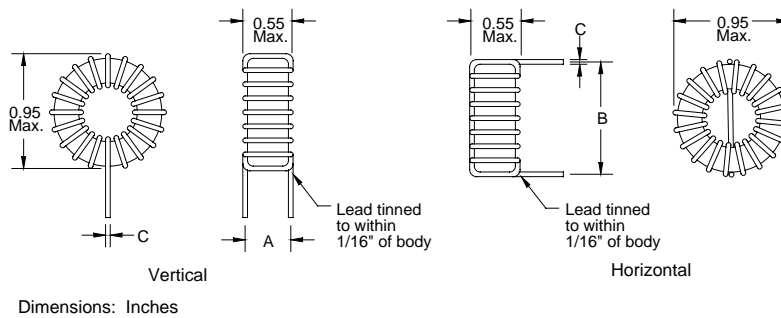
- High operating temperature environments
- DC/DC converters
- Output chokes
- EMI filters

## Notes

\* Rated I<sub>dc</sub> causes a 50 °C temperature rise  
 Add -H or -V mounting style after P/N  
 Example : 2200HT-390-H

| 2200HT Series |                |                       |                  |         |      |      |       |
|---------------|----------------|-----------------------|------------------|---------|------|------|-------|
| Part Number   | L (μH)         | I <sub>dc</sub> * (A) | L (μH)           | DCR (Ω) | Dim. | Dim. | Dim.  |
|               | ± 15 % @ 1 KHz |                       | ± 15 % @ I rated |         | A    | B    | C     |
|               |                |                       |                  | Max.    | Nom. | Nom. | Nom.  |
| 2200HT-1R2    | 1.2            | 23.8                  | 1.0              | 0.003   | 0.46 | 0.88 | 0.053 |
| 2200HT-1R8    | 1.8            | 21.8                  | 1.5              | 0.004   | 0.46 | 0.88 | 0.053 |
| 2200HT-2R2    | 2.2            | 20.1                  | 1.8              | 0.005   | 0.46 | 0.88 | 0.053 |
| 2200HT-3R3    | 3.3            | 18.8                  | 2.7              | 0.005   | 0.46 | 0.88 | 0.053 |
| 2200HT-3R9    | 3.9            | 17.8                  | 3.1              | 0.006   | 0.46 | 0.88 | 0.053 |
| 2200HT-4R7    | 4.7            | 16.9                  | 3.7              | 0.006   | 0.46 | 0.88 | 0.053 |
| 2200HT-5R6    | 5.6            | 16.1                  | 4.4              | 0.007   | 0.46 | 0.88 | 0.053 |
| 2200HT-6R8    | 6.8            | 15.7                  | 5.2              | 0.007   | 0.46 | 0.88 | 0.053 |
| 2200HT-8R2    | 8.2            | 15.1                  | 6.2              | 0.008   | 0.46 | 0.88 | 0.053 |
| 2200HT-100    | 10             | 11.2                  | 7.9              | 0.014   | 0.46 | 0.88 | 0.053 |
| 2200HT-120    | 12             | 10.9                  | 9.4              | 0.015   | 0.46 | 0.88 | 0.053 |
| 2200HT-150    | 15             | 10.3                  | 11.5             | 0.017   | 0.46 | 0.88 | 0.053 |
| 2200HT-180    | 18             | 9.7                   | 13.6             | 0.018   | 0.46 | 0.88 | 0.053 |
| 2200HT-220    | 22             | 9.3                   | 16.3             | 0.020   | 0.45 | 0.87 | 0.042 |
| 2200HT-270    | 27             | 8.9                   | 19.7             | 0.022   | 0.45 | 0.87 | 0.042 |
| 2200HT-330    | 33             | 8.4                   | 23.5             | 0.025   | 0.45 | 0.87 | 0.042 |
| 2200HT-390    | 39             | 8.1                   | 27.4             | 0.026   | 0.45 | 0.87 | 0.042 |
| 2200HT-470    | 47             | 6.4                   | 34.9             | 0.042   | 0.44 | 0.86 | 0.034 |
| 2200HT-560    | 56             | 6.1                   | 40.9             | 0.046   | 0.44 | 0.86 | 0.034 |
| 2200HT-680    | 68             | 5.8                   | 48.8             | 0.050   | 0.44 | 0.86 | 0.034 |
| 2200HT-820    | 82             | 5.6                   | 57.6             | 0.055   | 0.48 | 0.90 | 0.034 |
| 2200HT-101    | 100            | 5.3                   | 68.9             | 0.061   | 0.48 | 0.90 | 0.034 |
| 2200HT-121    | 120            | 5.0                   | 80.8             | 0.067   | 0.48 | 0.90 | 0.034 |
| 2200HT-151    | 150            | 4.8                   | 98.4             | 0.075   | 0.48 | 0.90 | 0.034 |
| 2200HT-181    | 180            | 4.6                   | 115.6            | 0.082   | 0.48 | 0.90 | 0.034 |
| 2200HT-221    | 220            | 4.3                   | 137.5            | 0.091   | 0.48 | 0.90 | 0.034 |
| 2200HT-271    | 270            | 3.3                   | 184.8            | 0.16    | 0.46 | 0.88 | 0.027 |
| 2200HT-331    | 330            | 3.1                   | 220.7            | 0.18    | 0.46 | 0.88 | 0.027 |
| 2200HT-391    | 390            | 3.0                   | 255.2            | 0.19    | 0.46 | 0.88 | 0.027 |
| 2200HT-471    | 470            | 2.8                   | 300.5            | 0.21    | 0.49 | 0.91 | 0.027 |
| 2200HT-561    | 560            | 2.7                   | 350.3            | 0.23    | 0.49 | 0.91 | 0.027 |
| 2200HT-681    | 680            | 2.6                   | 414.8            | 0.27    | 0.49 | 0.91 | 0.027 |
| 2200HT-821    | 820            | 2.0                   | 548.5            | 0.44    | 0.49 | 0.91 | 0.022 |
| 2200HT-102    | 1000           | 1.9                   | 653.1            | 0.49    | 0.49 | 0.91 | 0.022 |

For RoHS compliant version, add "-RC" to part number.



**BOURNS®**

Tel. (877) 426-8767 • Fax (951) 781-5006

[www.bourns.com](http://www.bourns.com)

# Low Core Loss, High Current Toroid Inductors

## Special Features

- Low core loss
- Low magnetic radiation
- High current capacity
- Horizontal or vertical mount available
- Operating temperature: -55 to +125 °C

## Typical Applications

- Switch mode power supplies
- DC/DC converters
- Output chokes
- EMI filters

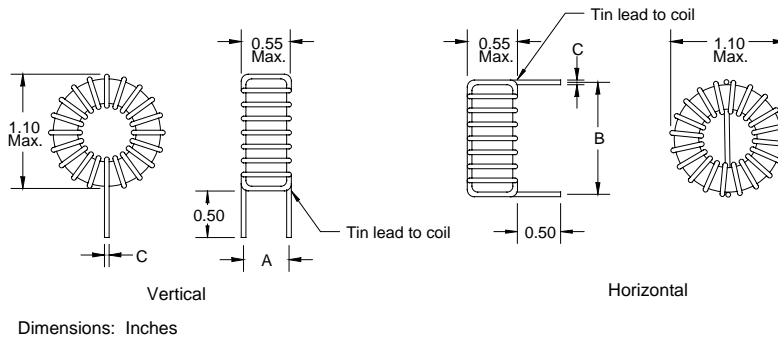
## Notes

\* Rated Idc causes a 30 °C temperature rise

\*\* Insert -H or -V for mounting style before -RC

| 2200LL Series |                             |             |                               |                    |                   |                   |                   |
|---------------|-----------------------------|-------------|-------------------------------|--------------------|-------------------|-------------------|-------------------|
| Part Number** | L (μH)<br>± 20 %<br>@ 1 KHz | Idc*<br>(A) | L (μH)<br>± 20 %<br>@ I rated | DCR<br>(Ω)<br>Max. | Dim.<br>A<br>Nom. | Dim.<br>B<br>Nom. | Dim.<br>C<br>Nom. |
| 2200LL-1R0-RC | 1.0                         | 26.1        | 0.8                           | 0.002              | 0.47              | 1.05              | 0.053             |
| 2200LL-1R8-RC | 1.8                         | 22.6        | 1.4                           | 0.002              | 0.47              | 1.05              | 0.053             |
| 2200LL-2R7-RC | 2.7                         | 20.3        | 1.9                           | 0.003              | 0.47              | 1.05              | 0.053             |
| 2200LL-3R9-RC | 3.9                         | 18.5        | 2.7                           | 0.004              | 0.47              | 1.05              | 0.053             |
| 2200LL-4R7-RC | 4.7                         | 17.1        | 3.1                           | 0.004              | 0.47              | 1.05              | 0.053             |
| 2200LL-6R8-RC | 6.8                         | 16.0        | 4.4                           | 0.005              | 0.47              | 1.05              | 0.053             |
| 2200LL-8R2-RC | 8.2                         | 15.1        | 5.1                           | 0.005              | 0.47              | 1.05              | 0.053             |
|               | ± 15 %                      |             | ± 15 %                        |                    |                   |                   |                   |
| 2200LL-100-RC | 10                          | 14.3        | 6.0                           | 0.006              | 0.47              | 1.05              | 0.053             |
| 2200LL-120-RC | 12                          | 14.2        | 6.9                           | 0.006              | 0.47              | 1.05              | 0.053             |
| 2200LL-150-RC | 15                          | 13.6        | 8.3                           | 0.007              | 0.47              | 1.05              | 0.053             |
| 2200LL-180-RC | 18                          | 13.1        | 9.7                           | 0.007              | 0.47              | 1.05              | 0.053             |
| 2200LL-220-RC | 22                          | 12.6        | 11.5                          | 0.008              | 0.47              | 1.05              | 0.053             |
| 2200LL-270-RC | 27                          | 11.8        | 13.5                          | 0.009              | 0.47              | 1.05              | 0.053             |
| 2200LL-330-RC | 33                          | 11.1        | 15.7                          | 0.010              | 0.47              | 1.05              | 0.053             |
| 2200LL-390-RC | 39                          | 10.8        | 18.1                          | 0.011              | 0.47              | 1.05              | 0.053             |
| 2200LL-470-RC | 47                          | 10.3        | 20.9                          | 0.012              | 0.47              | 1.05              | 0.053             |
| 2200LL-560-RC | 56                          | 9.8         | 23.9                          | 0.013              | 0.47              | 1.05              | 0.053             |
| 2200LL-680-RC | 68                          | 7.6         | 33.9                          | 0.022              | 0.45              | 1.03              | 0.042             |
| 2200LL-820-RC | 82                          | 7.1         | 39.0                          | 0.024              | 0.45              | 1.03              | 0.042             |
| 2200LL-101-RC | 100                         | 6.8         | 45.6                          | 0.027              | 0.45              | 1.03              | 0.042             |
| 2200LL-121-RC | 120                         | 5.1         | 63.4                          | 0.047              | 0.43              | 1.01              | 0.034             |
| 2200LL-151-RC | 150                         | 4.9         | 76.0                          | 0.052              | 0.43              | 1.01              | 0.034             |
| 2200LL-181-RC | 180                         | 4.7         | 88.5                          | 0.057              | 0.43              | 1.01              | 0.034             |
| 2200LL-221-RC | 220                         | 4.4         | 103.1                         | 0.063              | 0.43              | 1.01              | 0.034             |
| 2200LL-271-RC | 270                         | 4.2         | 121.1                         | 0.070              | 0.43              | 1.01              | 0.034             |
| 2200LL-331-RC | 330                         | 4.0         | 141.9                         | 0.077              | 0.43              | 1.01              | 0.034             |
| 2200LL-391-RC | 390                         | 3.8         | 161.2                         | 0.084              | 0.43              | 1.01              | 0.034             |
| 2200LL-471-RC | 470                         | 3.7         | 185.7                         | 0.092              | 0.43              | 1.01              | 0.034             |
| 2200LL-561-RC | 560                         | 3.5         | 212.0                         | 0.101              | 0.43              | 1.01              | 0.034             |
| 2200LL-681-RC | 680                         | 2.7         | 307.6                         | 0.176              | 0.47              | 0.99              | 0.027             |
| 2200LL-821-RC | 820                         | 2.5         | 355.5                         | 0.194              | 0.47              | 0.99              | 0.027             |
| 2200LL-102-RC | 1000                        | 2.4         | 412.5                         | 0.216              | 0.47              | 0.99              | 0.027             |

Only available as RoHS compliant.



**BOURNS®**

Tel. (877) 426-8767 • Fax (951) 781-5006

www.bourns.com

# High Current Toroid Inductors

## Special Features

- DC/DC converter, EMI filter applications
- Low radiation
- Low core loss
- High current capacity
- Horizontal or vertical mount
- Low cost
- Operating temperature -55 to +105 °C

## Notes

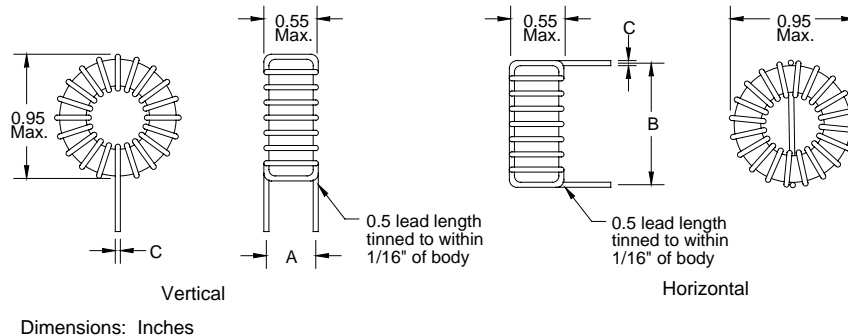
\* Current to cause 30 °C max. temperature rise

Add -H or -V mounting style after P/N

Example : 2210-V

| 2200 Series |                            |             |                              |                  |                   |                   |                   |
|-------------|----------------------------|-------------|------------------------------|------------------|-------------------|-------------------|-------------------|
| Part Number | L (μH)<br>±15 %<br>@ 1 KHz | Idc*<br>(A) | L (μH)<br>±15 %<br>@ I rated | DCR<br>Ω<br>Max. | Dim.<br>A<br>Nom. | Dim.<br>B<br>Nom. | Dim.<br>C<br>Nom. |
| 2201-       | 10                         | 12.5        | 6.7                          | 0.007            | 0.46              | 0.88              | 0.053             |
| 2202-       | 12                         | 12.0        | 7.9                          | 0.008            | 0.46              | 0.88              | 0.053             |
| 2203-       | 15                         | 11.3        | 9.6                          | 0.008            | 0.46              | 0.88              | 0.053             |
| 2204-       | 18                         | 10.8        | 11.3                         | 0.009            | 0.46              | 0.88              | 0.053             |
| 2205-       | 22                         | 10.3        | 13.4                         | 0.010            | 0.46              | 0.88              | 0.053             |
| 2206-       | 27                         | 9.8         | 16.0                         | 0.011            | 0.46              | 0.88              | 0.053             |
| 2207-       | 33                         | 7.4         | 21.6                         | 0.020            | 0.45              | 0.87              | 0.042             |
| 2208-       | 39                         | 7.1         | 25.0                         | 0.022            | 0.45              | 0.87              | 0.042             |
| 2209-       | 47                         | 6.7         | 29.3                         | 0.024            | 0.45              | 0.87              | 0.042             |
| 2210-       | 56                         | 6.4         | 34.1                         | 0.026            | 0.45              | 0.87              | 0.042             |
| 2211-       | 68                         | 4.9         | 45.7                         | 0.046            | 0.44              | 0.86              | 0.034             |
| 2212-       | 100                        | 4.4         | 64.0                         | 0.056            | 0.44              | 0.86              | 0.034             |
| 2213-       | 120                        | 3.3         | 84.4                         | 0.098            | 0.44              | 0.86              | 0.027             |
| 2214-       | 150                        | 3.1         | 102.7                        | 0.11             | 0.44              | 0.86              | 0.027             |
| 2215-       | 180                        | 3.8         | 105.9                        | 0.075            | 0.48              | 0.9               | 0.034             |
| 2216-       | 220                        | 3.6         | 125.6                        | 0.083            | 0.48              | 0.9               | 0.034             |
| 2217-       | 270                        | 3.4         | 149.4                        | 0.092            | 0.48              | 0.9               | 0.034             |
| 2218-       | 330                        | 3.3         | 176.8                        | 0.10             | 0.48              | 0.9               | 0.034             |
| 2219-       | 390                        | 2.5         | 235.3                        | 0.18             | 0.46              | 0.88              | 0.027             |
| 2220-       | 470                        | 2.3         | 275.9                        | 0.19             | 0.46              | 0.88              | 0.027             |
| 2221-       | 560                        | 2.2         | 320.1                        | 0.21             | 0.46              | 0.88              | 0.027             |
| 2222-       | 680                        | 2.1         | 377.2                        | 0.23             | 0.49              | 0.91              | 0.027             |
| 2223-       | 820                        | 2.0         | 441.5                        | 0.26             | 0.49              | 0.91              | 0.027             |
| 2224-       | 1000                       | 1.9         | 521.3                        | 0.28             | 0.49              | 0.91              | 0.027             |

For RoHS compliant version, add "-RC" to part number.



**BOURNS®**

Tel. (877) 426-8767 • Fax (951) 781-5006

www.bourns.com

# High Temperature, High Current Toroid Inductors

## Special Features

- High temperature rating -up to +200 °C
- Low magnetic radiation
- High current capacity
- Horizontal or vertical mount available
- Low cost
- Operating temperature: -55 to +200 °C

## Typical Applications

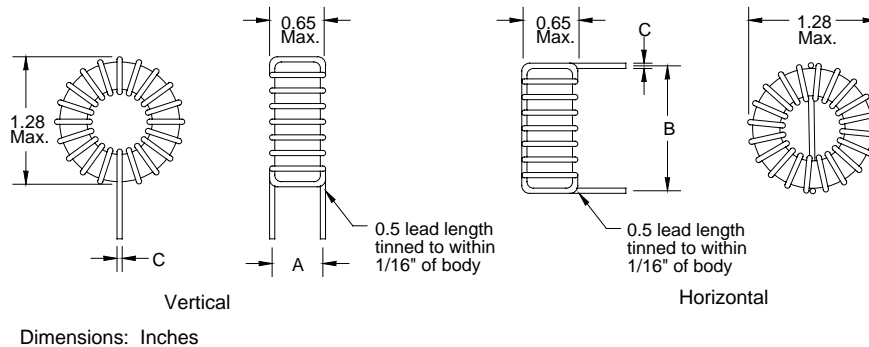
- High operating temperature environments
- DC/DC converters
- Output chokes
- EMI filters

## Notes

\* Rated I<sub>dc</sub> causes a 50 °C temperature rise  
 Add -H or -V mounting style after P/N  
 Example : 2300HT-100-H

| 2300HT Series |                             |                          |                               |                    |                   |                   |                   |
|---------------|-----------------------------|--------------------------|-------------------------------|--------------------|-------------------|-------------------|-------------------|
| Part Number   | L (μH)<br>± 15 %<br>@ 1 KHz | I <sub>dc</sub> *<br>(A) | L (μH)<br>± 15 %<br>@ I rated | DCR<br>(Ω)<br>Max. | Dim.<br>A<br>Nom. | Dim.<br>B<br>Nom. | Dim.<br>C<br>Nom. |
| 2300HT-1R2    | 1.2                         | 38.7                     | 1.0                           | 0.002              | 0.56              | 1.18              | 0.066             |
| 2300HT-1R8    | 1.8                         | 34.6                     | 1.5                           | 0.003              | 0.56              | 1.18              | 0.066             |
| 2300HT-2R7    | 2.7                         | 31.6                     | 2.2                           | 0.003              | 0.56              | 1.18              | 0.066             |
| 2300HT-3R9    | 3.9                         | 29.2                     | 3.1                           | 0.004              | 0.56              | 1.18              | 0.066             |
| 2300HT-4R7    | 4.7                         | 27.3                     | 3.7                           | 0.004              | 0.56              | 1.18              | 0.066             |
| 2300HT-5R6    | 5.6                         | 25.8                     | 4.3                           | 0.005              | 0.56              | 1.18              | 0.066             |
| 2300HT-6R8    | 6.8                         | 24.5                     | 5.1                           | 0.005              | 0.56              | 1.18              | 0.066             |
| 2300HT-8R2    | 8.2                         | 24.3                     | 6.0                           | 0.005              | 0.56              | 1.18              | 0.066             |
| 2300HT-100    | 10                          | 23.3                     | 7.2                           | 0.006              | 0.56              | 1.18              | 0.066             |
| 2300HT-120    | 12                          | 22.4                     | 8.5                           | 0.006              | 0.56              | 1.18              | 0.066             |
| 2300HT-150    | 15                          | 20.8                     | 10.3                          | 0.007              | 0.56              | 1.18              | 0.066             |
| 2300HT-180    | 18                          | 20.2                     | 12.2                          | 0.007              | 0.56              | 1.18              | 0.066             |
| 2300HT-220    | 22                          | 19.0                     | 14.5                          | 0.008              | 0.56              | 1.18              | 0.066             |
| 2300HT-270    | 27                          | 14.3                     | 19.2                          | 0.014              | 0.53              | 1.14              | 0.053             |
| 2300HT-330    | 33                          | 13.6                     | 23.0                          | 0.015              | 0.53              | 1.14              | 0.053             |
| 2300HT-390    | 39                          | 13.0                     | 26.7                          | 0.017              | 0.53              | 1.14              | 0.053             |
| 2300HT-470    | 47                          | 10.0                     | 34.7                          | 0.028              | 0.52              | 1.13              | 0.042             |
| 2300HT-560    | 56                          | 9.7                      | 40.8                          | 0.030              | 0.52              | 1.13              | 0.042             |
| 2300HT-680    | 68                          | 9.2                      | 48.5                          | 0.034              | 0.52              | 1.13              | 0.042             |
| 2300HT-820    | 82                          | 8.8                      | 57.4                          | 0.037              | 0.52              | 1.13              | 0.042             |
| 2300HT-101    | 100                         | 8.3                      | 68.3                          | 0.041              | 0.56              | 1.17              | 0.042             |
| 2300HT-121    | 120                         | 8.0                      | 80.5                          | 0.045              | 0.56              | 1.17              | 0.042             |
| 2300HT-151    | 150                         | 7.5                      | 97.9                          | 0.050              | 0.56              | 1.17              | 0.042             |
| 2300HT-181    | 180                         | 7.2                      | 114.5                         | 0.055              | 0.56              | 1.17              | 0.042             |
| 2300HT-221    | 220                         | 6.8                      | 136.6                         | 0.061              | 0.56              | 1.17              | 0.042             |
| 2300HT-271    | 270                         | 6.5                      | 163.2                         | 0.067              | 0.56              | 1.17              | 0.042             |
| 2300HT-331    | 330                         | 4.9                      | 218.3                         | 0.10               | 0.54              | 1.16              | 0.037             |
| 2300HT-391    | 390                         | 4.7                      | 252.8                         | 0.13               | 0.54              | 1.16              | 0.037             |
| 2300HT-471    | 470                         | 4.5                      | 297.9                         | 0.14               | 0.54              | 1.16              | 0.037             |
| 2300HT-561    | 560                         | 3.4                      | 389.1                         | 0.24               | 0.53              | 1.14              | 0.027             |
| 2300HT-681    | 680                         | 3.2                      | 461.4                         | 0.27               | 0.53              | 1.14              | 0.027             |
| 2300HT-821    | 820                         | 3.1                      | 545.2                         | 0.30               | 0.53              | 1.14              | 0.027             |
| 2300HT-102    | 1000                        | 2.9                      | 648.2                         | 0.33               | 0.58              | 1.17              | 0.027             |

For RoHS compliant version, add "-RC" to part number.



**BOURNS®**

Tel. (877) 426-8767 • Fax (951) 781-5006

www.bourns.com



# Low Core Loss, High Current Toroid Inductors

## Special Features

- Low core loss
- Low magnetic radiation
- High current capacity
- Horizontal or vertical mount available
- Operating temperature: -55 to +125 °C

## Typical Applications

- Switch mode power supplies
- DC/DC converters
- Output chokes
- EMI filters

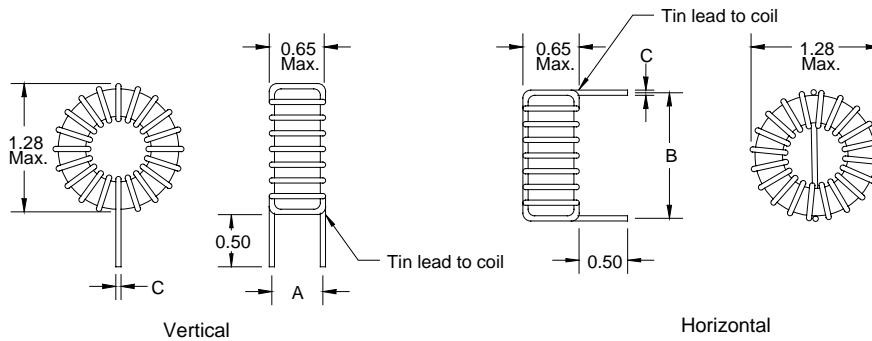
## Notes

\* Rated Idc causes a 30 °C temperature rise

\*\* Insert -H or -V for mounting style before -RC

| 2300LL Series |                |          |                  |         |        |        |        |
|---------------|----------------|----------|------------------|---------|--------|--------|--------|
| Part Number** | L (μH)         | Idc* (A) | L (μH)           | DCR (Ω) | Dim. A | Dim. B | Dim. C |
|               | ± 20 % @ 1 KHz |          | ± 20 % @ I rated |         |        |        |        |
| 2300LL-1R5-RC | 1.5            | 34.0     | 1.1              | 0.001   | 0.59   | 1.21   | 0.066  |
| 2300LL-2R7-RC | 2.7            | 29.4     | 1.9              | 0.002   | 0.59   | 1.21   | 0.066  |
| 2300LL-3R9-RC | 3.9            | 26.3     | 2.6              | 0.002   | 0.59   | 1.21   | 0.066  |
| 2300LL-5R6-RC | 5.6            | 24.0     | 3.5              | 0.003   | 0.59   | 1.21   | 0.066  |
| 2300LL-8R2-RC | 8.2            | 22.3     | 4.9              | 0.003   | 0.59   | 1.21   | 0.066  |
|               |                | ± 15 %   |                  |         | ± 15 % |        |        |
| 2300LL-100-RC | 10             | 20.8     | 5.8              | 0.004   | 0.59   | 1.21   | 0.066  |
| 2300LL-120-RC | 12             | 19.6     | 6.7              | 0.004   | 0.59   | 1.21   | 0.066  |
| 2300LL-150-RC | 15             | 18.6     | 8.0              | 0.005   | 0.59   | 1.21   | 0.066  |
| 2300LL-180-RC | 18             | 18.5     | 9.0              | 0.005   | 0.59   | 1.21   | 0.066  |
| 2300LL-220-RC | 22             | 17.7     | 10.6             | 0.005   | 0.59   | 1.21   | 0.066  |
| 2300LL-270-RC | 27             | 17.0     | 12.6             | 0.006   | 0.59   | 1.21   | 0.066  |
| 2300LL-330-RC | 33             | 13.0     | 17.9             | 0.010   | 0.56   | 1.18   | 0.053  |
| 2300LL-390-RC | 39             | 12.2     | 20.1             | 0.011   | 0.56   | 1.18   | 0.053  |
| 2300LL-470-RC | 47             | 11.8     | 23.7             | 0.012   | 0.56   | 1.18   | 0.053  |
| 2300LL-560-RC | 56             | 8.9      | 31.9             | 0.020   | 0.54   | 1.16   | 0.042  |
| 2300LL-680-RC | 68             | 8.5      | 37.4             | 0.023   | 0.54   | 1.16   | 0.042  |
| 2300LL-820-RC | 82             | 8.1      | 43.7             | 0.025   | 0.54   | 1.16   | 0.042  |
| 2300LL-101-RC | 100            | 7.8      | 51.7             | 0.027   | 0.54   | 1.16   | 0.042  |
| 2300LL-121-RC | 120            | 7.4      | 59.3             | 0.030   | 0.54   | 1.16   | 0.042  |
| 2300LL-151-RC | 150            | 7.0      | 71.1             | 0.033   | 0.54   | 1.16   | 0.042  |
| 2300LL-181-RC | 180            | 6.7      | 82.1             | 0.037   | 0.54   | 1.16   | 0.042  |
| 2300LL-221-RC | 220            | 5.1      | 116.6            | 0.063   | 0.52   | 1.14   | 0.034  |
| 2300LL-271-RC | 270            | 4.8      | 137.7            | 0.070   | 0.52   | 1.14   | 0.034  |
| 2300LL-331-RC | 330            | 4.6      | 160.8            | 0.079   | 0.52   | 1.14   | 0.034  |
| 2300LL-391-RC | 390            | 4.4      | 183.6            | 0.085   | 0.52   | 1.14   | 0.034  |
| 2300LL-471-RC | 470            | 4.2      | 212.5            | 0.094   | 0.52   | 1.14   | 0.034  |
| 2300LL-561-RC | 560            | 4.0      | 243.6            | 0.103   | 0.52   | 1.14   | 0.034  |
| 2300LL-681-RC | 680            | 3.8      | 283.0            | 0.113   | 0.52   | 1.14   | 0.034  |
| 2300LL-821-RC | 820            | 3.6      | 327.4            | 0.123   | 0.52   | 1.14   | 0.034  |
| 2300LL-102-RC | 1000           | 3.5      | 378.9            | 0.137   | 0.52   | 1.14   | 0.034  |

Only available as RoHS compliant.



Dimensions: Inches

**BOURNS®**

Tel. (877) 426-8767 • Fax (951) 781-5006

www.bourns.com

# High Current Toroid Inductors

## Special Features

- DC/DC converter, EMI filter applications
- Low radiation
- Low core loss
- High current capacity
- Horizontal or vertical mount
- Low cost
- Operating temperature -55 to +105 °C

## Notes

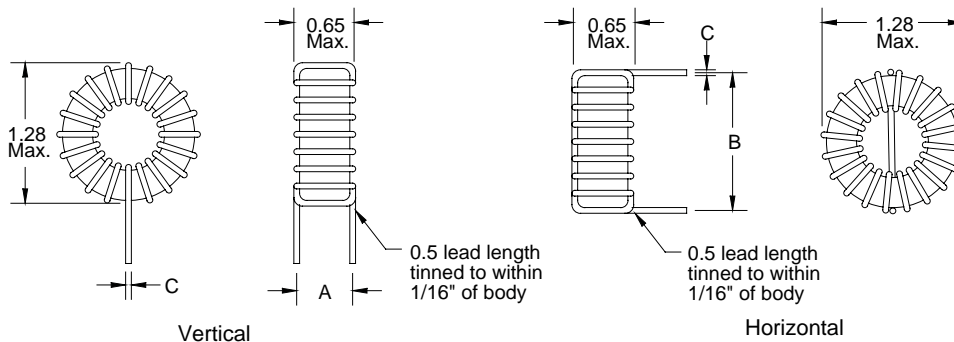
\* Current to cause 30 °C max. temperature rise

Add -H or -V mounting style after P/N

Example : 2314-V

| 2300 Series |                            |                          |                              |                  |                   |                   |                   |
|-------------|----------------------------|--------------------------|------------------------------|------------------|-------------------|-------------------|-------------------|
| Part Number | L (μH)<br>±15 %<br>@ 1 KHz | I <sub>dc</sub> *<br>(A) | L (μH)<br>±15 %<br>@ I rated | DCR<br>Ω<br>Max. | Dim.<br>A<br>Nom. | Dim.<br>B<br>Nom. | Dim.<br>C<br>Nom. |
| 2301-       | 10                         | 20.0                     | 6.7                          | 0.005            | 0.56              | 1.18              | 0.066             |
| 2302-       | 12                         | 19.1                     | 7.8                          | 0.005            | 0.56              | 1.18              | 0.066             |
| 2303-       | 15                         | 18.0                     | 9.5                          | 0.006            | 0.56              | 1.18              | 0.066             |
| 2304-       | 18                         | 17.2                     | 11.1                         | 0.006            | 0.56              | 1.18              | 0.066             |
| 2305-       | 22                         | 16.4                     | 13.2                         | 0.007            | 0.56              | 1.18              | 0.066             |
| 2306-       | 27                         | 15.6                     | 15.7                         | 0.008            | 0.56              | 1.18              | 0.066             |
| 2307-       | 33                         | 11.7                     | 21.3                         | 0.013            | 0.53              | 1.14              | 0.053             |
| 2308-       | 39                         | 11.2                     | 24.7                         | 0.014            | 0.53              | 1.14              | 0.053             |
| 2309-       | 47                         | 10.7                     | 29.0                         | 0.016            | 0.53              | 1.14              | 0.053             |
| 2310-       | 56                         | 10.2                     | 33.7                         | 0.017            | 0.53              | 1.14              | 0.053             |
| 2311-       | 68                         | 7.7                      | 45.2                         | 0.030            | 0.52              | 1.13              | 0.042             |
| 2312-       | 100                        | 7.0                      | 63.1                         | 0.037            | 0.52              | 1.13              | 0.042             |
| 2313-       | 120                        | 6.7                      | 73.9                         | 0.040            | 0.52              | 1.13              | 0.042             |
| 2314-       | 150                        | 5.0                      | 101.4                        | 0.071            | 0.51              | 1.12              | 0.034             |
| 2315-       | 180                        | 4.8                      | 118.9                        | 0.078            | 0.51              | 1.12              | 0.034             |
| 2316-       | 220                        | 5.8                      | 123.8                        | 0.054            | 0.56              | 1.17              | 0.042             |
| 2317-       | 270                        | 5.5                      | 147.2                        | 0.060            | 0.56              | 1.17              | 0.042             |
| 2318-       | 330                        | 5.2                      | 174.1                        | 0.067            | 0.56              | 1.17              | 0.042             |
| 2319-       | 390                        | 5.0                      | 200.2                        | 0.072            | 0.56              | 1.17              | 0.042             |
| 2320-       | 470                        | 3.8                      | 271.4                        | 0.13             | 0.54              | 1.16              | 0.034             |
| 2321-       | 560                        | 3.6                      | 314.8                        | 0.14             | 0.54              | 1.16              | 0.034             |
| 2322-       | 680                        | 3.4                      | 370.7                        | 0.15             | 0.54              | 1.16              | 0.034             |
| 2323-       | 820                        | 2.6                      | 500.9                        | 0.27             | 0.53              | 1.14              | 0.027             |
| 2324-       | 1000                       | 2.4                      | 593.6                        | 0.30             | 0.53              | 1.14              | 0.027             |

For RoHS compliant version, add "-RC" to part number.



Dimensions: Inches

**BOURNS®**

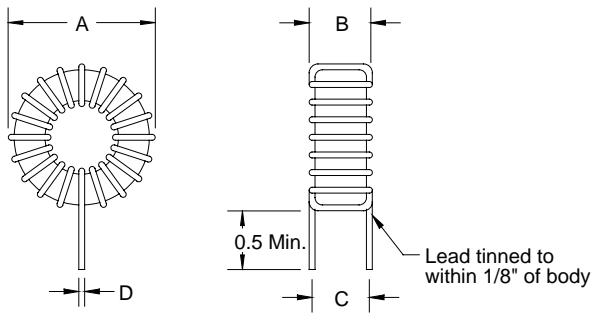
Tel. (877) 426-8767 • Fax (951) 781-5006

www.bourns.com

# High Current Toroid Inductors

## Features

- Low radiation
- High current capacity
- High inductance
- Increase inductance with AC excitation current to compensate reduced inductance with DC bias
- Low cost
- Operating temperature: -55 to 105 °C



Dimensions: Inches

| 5700 Series |                            |               |                              |                  |                   |                   |                   |                   |
|-------------|----------------------------|---------------|------------------------------|------------------|-------------------|-------------------|-------------------|-------------------|
| Part Number | L (μH)<br>±15 %<br>@ 1 KHz | I (A)<br>Max. | L (μH)<br>±15 %<br>@ I rated | DCR<br>Ω<br>Max. | Dim.<br>A<br>Nom. | Dim.<br>B<br>Nom. | Dim.<br>C<br>Nom. | Dim.<br>D<br>Nom. |
| 5701        | 10                         | 11.00         | 5                            | 0.008            | 0.875             | 0.437             | 0.32              | 0.064             |
| 5702        | 25                         | 5.50          | 12                           | 0.014            | 0.875             | 0.437             | 0.30              | 0.040             |
| 5703        | 125                        | 2.75          | 70                           | 0.12             | 0.875             | 0.437             | 0.30              | 0.020             |
| 5704        | 275                        | 2.00          | 150                          | 0.24             | 0.875             | 0.437             | 0.30              | 0.016             |
| 5705        | 450                        | 1.50          | 250                          | 0.49             | 0.875             | 0.437             | 0.30              | 0.012             |
| 5706        | 25                         | 9.00          | 15                           | 0.012            | 1.125             | 0.562             | 0.45              | 0.064             |
| 5707        | 75                         | 5.00          | 40                           | 0.04             | 1.125             | 0.562             | 0.42              | 0.036             |
| 5708        | 400                        | 2.25          | 225                          | 0.33             | 1.125             | 0.562             | 0.42              | 0.018             |
| 5709        | 800                        | 1.75          | 475                          | 0.64             | 1.125             | 0.562             | 0.42              | 0.015             |
| 5710        | 1000                       | 1.50          | 575                          | 0.98             | 1.125             | 0.562             | 0.40              | 0.012             |
| 5711        | 50                         | 9.50          | 25                           | 0.012            | 1.250             | 0.625             | 0.53              | 0.064             |
| 5712        | 150                        | 4.75          | 85                           | 0.046            | 1.250             | 0.625             | 0.50              | 0.036             |
| 5713        | 700                        | 2.25          | 400                          | 0.42             | 1.250             | 0.625             | 0.50              | 0.018             |
| 5714        | 1250                       | 1.75          | 750                          | 0.85             | 1.250             | 0.625             | 0.48              | 0.015             |
| 5715        | 1600                       | 1.50          | 950                          | 1.27             | 1.250             | 0.625             | 0.48              | 0.012             |
| 5716        | 125                        | 7.75          | 65                           | 0.032            | 1.812             | 0.750             | 0.68              | 0.064             |
| 5717        | 500                        | 4.00          | 275                          | 0.15             | 1.812             | 0.750             | 0.65              | 0.032             |
| 5718        | 1100                       | 2.50          | 650                          | 0.33             | 1.812             | 0.750             | 0.65              | 0.025             |
| 5719        | 2250                       | 1.75          | 1350                         | 0.92             | 1.812             | 0.750             | 0.65              | 0.018             |
| 5720        | 4500                       | 1.25          | 2700                         | 2.64             | 1.812             | 0.750             | 0.65              | 0.012             |
| 5721        | 250                        | 8.00          | 125                          | 0.041            | 2.125             | 0.937             | 0.79              | 0.062             |
| 5722        | 900                        | 3.75          | 500                          | 0.175            | 2.125             | 0.937             | 0.75              | 0.032             |
| 5723        | 1800                       | 2.50          | 1000                         | 0.55             | 2.125             | 0.937             | 0.75              | 0.023             |
| 5724        | 4000                       | 1.75          | 2100                         | 1.16             | 2.125             | 0.937             | 0.74              | 0.018             |
| 5725        | 8000                       | 1.00          | 4500                         | 3.34             | 2.125             | 0.937             | 0.74              | 0.012             |
| 5726        | 25                         | 2.50          | 16                           | 0.040            | 0.550             | 0.220             | 0.21              | 0.020             |
| 5727        | 35                         | 2.50          | 29                           | 0.035            | 0.700             | 0.320             | 0.30              | 0.025             |
| 5728        | 50                         | 2.50          | 35                           | 0.060            | 0.750             | 0.320             | 0.28              | 0.020             |
| 5729        | 100                        | 2.50          | 70                           | 0.080            | 0.850             | 0.360             | 0.33              | 0.020             |
| 5730        | 70                         | 3.00          | 50                           | 0.050            | 0.850             | 0.360             | 0.33              | 0.025             |
| 5731        | 40                         | 4.00          | 30                           | 0.025            | 0.850             | 0.360             | 0.34              | 0.032             |

For RoHS compliant version, add "-RC" to part number.

**BOURNS®**

Tel. (877) 426-8767 • Fax (951) 781-5006

www.bourns.com

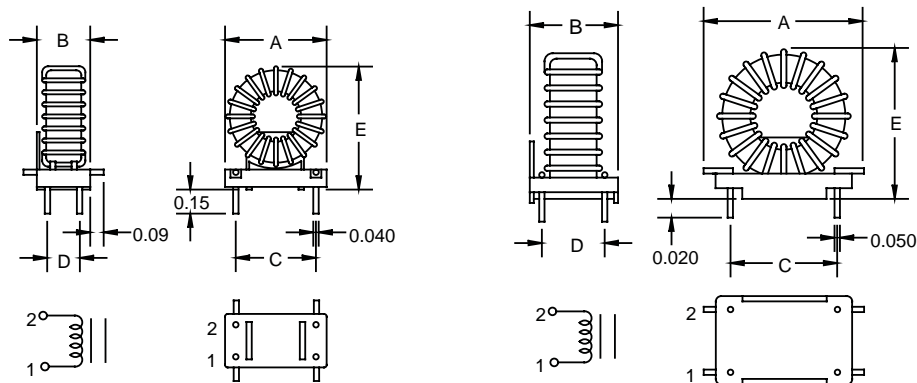
# High Current Toroid Inductors (with header)

## Special Features

- Low radiation
- High current capacity
- High inductance
- Mounted on VW-1 rated header
- Fixed pins for easy PCB insertion
- Operating temperature:  
-55 to +105 °C

| 6700 Series |                            |               |                             |                  |                   |                   |                     |                     |                   |
|-------------|----------------------------|---------------|-----------------------------|------------------|-------------------|-------------------|---------------------|---------------------|-------------------|
| Part Number | L (μH)<br>±15 %<br>@ 1 KHz | I (A)<br>Max. | L (μH)<br>Min.<br>@ I rated | DCR<br>Ω<br>Max. | Dim.<br>A<br>Max. | Dim.<br>B<br>Max. | Dim.<br>C<br>±0.015 | Dim.<br>D<br>±0.015 | Dim.<br>E<br>Max. |
| 6701        | 10                         | 11.0          | 5                           | 0.008            | 0.875             | 0.425             | 0.600               | 0.250               | 1.00              |
| 6702        | 25                         | 5.50          | 12                          | 0.014            | 0.875             | 0.425             | 0.600               | 0.250               | 1.00              |
| 6703        | 125                        | 2.75          | 70                          | 0.12             | 0.875             | 0.425             | 0.600               | 0.250               | 1.00              |
| 6704        | 275                        | 2.00          | 150                         | 0.24             | 0.875             | 0.425             | 0.600               | 0.250               | 1.00              |
| 6705        | 450                        | 1.50          | 250                         | 0.49             | 0.875             | 0.425             | 0.600               | 0.250               | 1.00              |
| 6706        | 25                         | 9.00          | 15                          | 0.012            | 1.125             | 0.600             | 0.800               | 0.400               | 1.25              |
| 6707        | 75                         | 5.00          | 40                          | 0.04             | 1.125             | 0.600             | 0.800               | 0.400               | 1.25              |
| 6708        | 400                        | 2.25          | 225                         | 0.33             | 1.125             | 0.600             | 0.800               | 0.400               | 1.25              |
| 6709        | 800                        | 1.75          | 475                         | 0.64             | 1.125             | 0.600             | 0.800               | 0.400               | 1.25              |
| 6710        | 1000                       | 1.50          | 675                         | 0.98             | 1.125             | 0.600             | 0.800               | 0.400               | 1.25              |
| 6711        | 50                         | 9.50          | 25                          | 0.012            | 1.250             | 0.800             | 0.900               | 0.600               | 1.375             |
| 6712        | 150                        | 4.75          | 85                          | 0.046            | 1.250             | 0.800             | 0.900               | 0.600               | 1.375             |
| 6713        | 700                        | 2.25          | 400                         | 0.42             | 1.250             | 0.800             | 0.900               | 0.600               | 1.375             |
| 6714        | 1250                       | 1.75          | 750                         | 0.85             | 1.250             | 0.800             | 0.900               | 0.600               | 1.375             |
| 6715        | 1600                       | 1.50          | 950                         | 1.27             | 1.250             | 0.800             | 0.900               | 0.600               | 1.375             |
| 6716        | 125                        | 7.75          | 65                          | 0.032            | 1.812             | 0.900             | 1.200               | 0.700               | 1.95              |
| 6717        | 500                        | 4.00          | 275                         | 0.15             | 1.812             | 0.900             | 1.200               | 0.700               | 1.95              |
| 6718        | 1100                       | 2.50          | 650                         | 0.33             | 1.812             | 0.900             | 1.200               | 0.700               | 1.95              |
| 6719        | 2250                       | 1.75          | 1350                        | 0.92             | 1.812             | 0.900             | 1.200               | 0.700               | 1.95              |
| 6720        | 4500                       | 1.25          | 2700                        | 2.64             | 1.812             | 0.900             | 1.200               | 0.700               | 1.95              |
| 6721        | 250                        | 8.00          | 125                         | 0.041            | 2.125             | 1.100             | 1.500               | 0.900               | 2.25              |
| 6722        | 900                        | 3.75          | 500                         | 0.175            | 2.125             | 1.100             | 1.500               | 0.900               | 2.25              |
| 6723        | 1800                       | 2.50          | 1000                        | 0.55             | 2.125             | 1.100             | 1.500               | 0.900               | 2.25              |
| 6724        | 4000                       | 1.75          | 2100                        | 1.16             | 2.125             | 1.100             | 1.500               | 0.900               | 2.25              |
| 6725        | 8000                       | 1.00          | 4500                        | 3.34             | 2.125             | 1.100             | 1.500               | 0.900               | 2.25              |
| 6726        | 25                         | 2.50          | 16                          | 0.040            | 0.550             | 0.425             | 0.600               | 0.250               | 1.00              |
| 6727        | 35                         | 2.50          | 29                          | 0.035            | 0.700             | 0.425             | 0.600               | 0.250               | 1.00              |
| 6728        | 50                         | 2.50          | 35                          | 0.060            | 0.750             | 0.425             | 0.600               | 0.250               | 1.00              |
| 6729        | 100                        | 2.50          | 70                          | 0.080            | 0.850             | 0.425             | 0.600               | 0.250               | 1.00              |
| 6730        | 70                         | 3.00          | 50                          | 0.050            | 0.850             | 0.425             | 0.600               | 0.250               | 1.00              |
| 6731        | 40                         | 4.00          | 30                          | 0.025            | 0.850             | 0.425             | 0.600               | 0.250               | 1.00              |

For RoHS compliant version, add "-RC" to part number.



6701-6705 & 6726-6731

6706-6725

Dimensions: Inches

**BOURNS®**

Tel. (877) 426-8767 • Fax (951) 781-5006

www.bourns.com

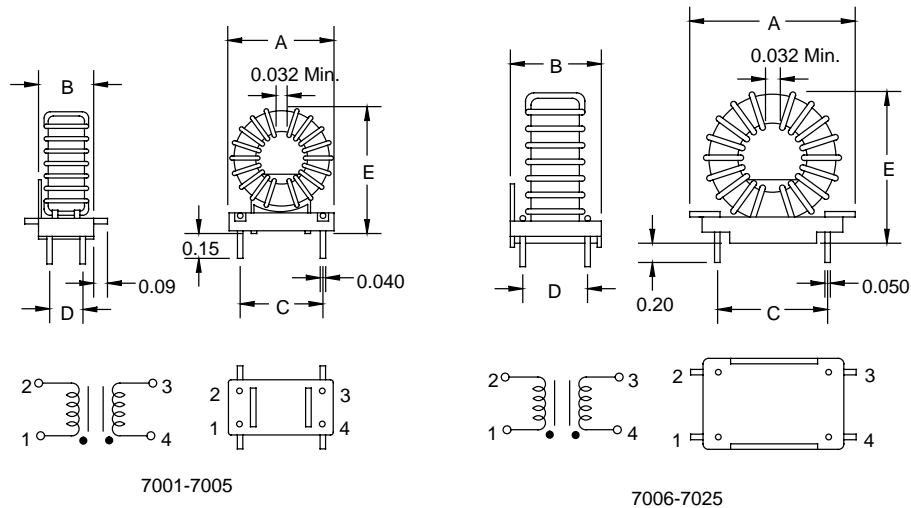
# Dual-Line Toroid Inductors

## Special Features

- Dual winding
- Low radiation
- High current capacity
- High inductance
- Dielectric strength 1000 Vrms
- Mounted on VW-1 rated header
- Fixed pins for easy PCB insertion
- Operating temperature -55 to +105 °C

| 7000 Series |                            |                        |                              |          |                   |                   |                     |                     |                   |
|-------------|----------------------------|------------------------|------------------------------|----------|-------------------|-------------------|---------------------|---------------------|-------------------|
| Part Number | L (μH)<br>±15 %<br>@ 1 KHz | I <sub>dc</sub><br>(A) | L (μH)<br>±15 %<br>@ I rated | DCR<br>Ω | Dim.<br>A<br>Max. | Dim.<br>B<br>Max. | Dim.<br>C<br>±0.015 | Dim.<br>D<br>±0.015 | Dim.<br>E<br>Max. |
| 7001        | 2.5                        | 11.0                   | 1.25                         | 0.004    | 0.875             | 0.425             | 0.600               | 0.250               | 1.00              |
| 7002        | 6.0                        | 5.50                   | 3.0                          | 0.007    | 0.875             | 0.425             | 0.600               | 0.250               | 1.00              |
| 7003        | 31.25                      | 2.75                   | 17.5                         | 0.060    | 0.875             | 0.425             | 0.600               | 0.250               | 1.00              |
| 7004        | 68.75                      | 2.00                   | 37.5                         | 0.120    | 0.875             | 0.425             | 0.600               | 0.250               | 1.00              |
| 7005        | 112.5                      | 1.50                   | 62.5                         | 0.245    | 0.875             | 0.425             | 0.600               | 0.250               | 1.00              |
| 7006        | 6.25                       | 9.00                   | 3.75                         | 0.006    | 1.125             | 0.600             | 0.800               | 0.400               | 1.25              |
| 7007        | 18.75                      | 5.00                   | 10                           | 0.020    | 1.125             | 0.600             | 0.800               | 0.400               | 1.25              |
| 7008        | 100                        | 2.25                   | 56.25                        | 0.165    | 1.125             | 0.600             | 0.800               | 0.400               | 1.25              |
| 7009        | 200                        | 1.75                   | 118.75                       | 0.320    | 1.125             | 0.600             | 0.800               | 0.400               | 1.25              |
| 7010        | 250                        | 1.50                   | 143.75                       | 0.470    | 1.125             | 0.600             | 0.800               | 0.400               | 1.25              |
| 7011        | 12.5                       | 9.50                   | 6.25                         | 0.006    | 1.25              | 0.800             | 0.900               | 0.600               | 1.375             |
| 7012        | 37.5                       | 4.75                   | 21.25                        | 0.023    | 1.25              | 0.800             | 0.900               | 0.600               | 1.375             |
| 7013        | 175                        | 2.25                   | 100                          | 0.210    | 1.25              | 0.800             | 0.900               | 0.600               | 1.375             |
| 7014        | 312.5                      | 1.75                   | 187.5                        | 0.430    | 1.25              | 0.800             | 0.900               | 0.600               | 1.375             |
| 7015        | 400                        | 1.50                   | 237.5                        | 0.640    | 1.25              | 0.800             | 0.900               | 0.600               | 1.375             |
| 7016        | 31.25                      | 7.75                   | 16.25                        | 0.016    | 1.812             | 0.900             | 1.20                | 0.700               | 1.95              |
| 7017        | 125                        | 4.00                   | 68.75                        | 0.075    | 1.812             | 0.900             | 1.20                | 0.700               | 1.95              |
| 7018        | 275                        | 2.50                   | 162.5                        | 0.165    | 1.812             | 0.900             | 1.20                | 0.700               | 1.95              |
| 7019        | 562.5                      | 1.75                   | 281.25                       | 0.460    | 1.812             | 0.900             | 1.20                | 0.700               | 1.95              |
| 7020        | 1125                       | 1.25                   | 562.5                        | 1.320    | 1.812             | 0.900             | 1.20                | 0.700               | 1.95              |
| 7021        | 62.5                       | 8.00                   | 31.75                        | 0.021    | 2.125             | 1.10              | 1.50                | 0.900               | 2.25              |
| 7022        | 225                        | 3.75                   | 125                          | 0.088    | 2.125             | 1.10              | 1.50                | 0.900               | 2.25              |
| 7023        | 450                        | 2.50                   | 250                          | 0.240    | 2.125             | 1.10              | 1.50                | 0.900               | 2.25              |
| 7024        | 1000                       | 1.75                   | 525                          | 0.580    | 2.125             | 1.10              | 1.50                | 0.900               | 2.25              |
| 7025        | 2000                       | 1.00                   | 1125                         | 1.670    | 2.125             | 1.10              | 1.50                | 0.900               | 2.25              |

For RoHS compliant version, add "-RC" to part number.



Dimensions: Inches

**BOURNS®**

Tel. (877) 426-8767 • Fax (951) 781-5006

www.bourns.com



**BOURNS®**

Tel. (877) 426-8767 • Fax (951) 781-5006

[www.bourns.com](http://www.bourns.com)

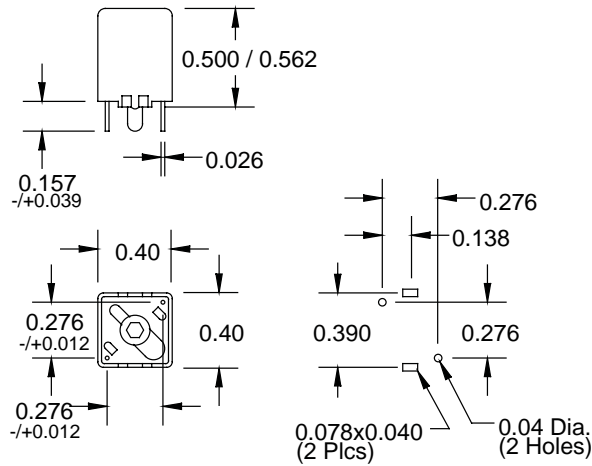
# Adjustable RF Inductors

## Special Features

- Precision molded in plastic
- Stable electrical characteristics
- High Q
- Low cost
- Fixed lead spacing
- Operating temperature -55 to +105 °C

| 4900 Series |        |      |       |      |                  |            |
|-------------|--------|------|-------|------|------------------|------------|
| Part Number | L (μH) |      | Q     |      | Test Freq. (MHz) | Style      |
|             | Min.   | Max. | Min.  | Max. |                  |            |
| 4901-S      | 0.037  | 80   | 0.039 | 85   | 80               | Shielded   |
| 4902-S      | 0.059  | 75   | 0.071 | 95   | 75               | Shielded   |
| 4903-S      | 0.086  | 75   | 0.107 | 90   | 75               | Shielded   |
| 4904-S      | 0.117  | 50   | 0.159 | 90   | 50               | Shielded   |
| 4905-S      | 0.150  | 45   | 0.208 | 80   | 45               | Shielded   |
| 4906-S      | 0.184  | 45   | 0.262 | 70   | 45               | Shielded   |
| 4907-S      | 0.226  | 45   | 0.311 | 65   | 45               | Shielded   |
| 4908-S      | 0.258  | 45   | 0.363 | 60   | 45               | Shielded   |
| 4909-S      | 0.296  | 45   | 0.417 | 55   | 45               | Shielded   |
| 4910-S      | 0.335  | 45   | 0.454 | 50   | 45               | Shielded   |
| 4901        | 0.041  | 80   | 0.050 | 136  | 80               | Unshielded |
| 4902        | 0.070  | 75   | 0.100 | 139  | 75               | Unshielded |
| 4903        | 0.103  | 75   | 0.152 | 133  | 75               | Unshielded |
| 4904        | 0.148  | 50   | 0.252 | 162  | 50               | Unshielded |
| 4905        | 0.193  | 45   | 0.337 | 142  | 45               | Unshielded |
| 4906        | 0.238  | 45   | 0.417 | 122  | 45               | Unshielded |
| 4907        | 0.286  | 45   | 0.508 | 105  | 45               | Unshielded |
| 4908        | 0.339  | 45   | 0.600 | 89   | 45               | Unshielded |
| 4909        | 0.390  | 45   | 0.691 | 76   | 45               | Unshielded |
| 4910        | 0.460  | 45   | 0.788 | 72   | 45               | Unshielded |

For RoHS compliant version, add "-RC" to part number.



Dimensions: Inches

PCB layout

**BOURNS®**

Tel. (877) 426-8767 • Fax (951) 781-5006

[www.bourns.com](http://www.bourns.com)



**BOURNS®**

Tel. (877) 426-8767 • Fax (951) 781-5006

[www.bourns.com](http://www.bourns.com)



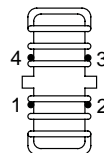
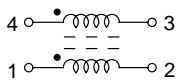
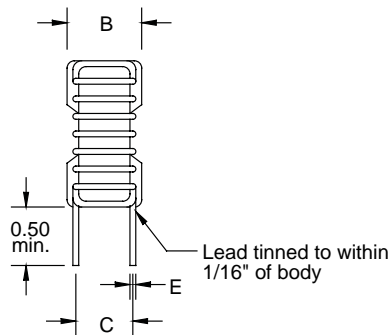
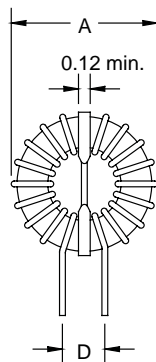
# Common Mode EMI Chokes

## Special Features

- Reduce conductive EMI emission
- High current capacity
- High impedance at low frequency
- Dielectric strength 3750 Vrms
- Coil wound on VW-1 rated plastic cased ferrite core
- Operating temperature -55 to +105 °C

| 7100 Series |                            |              |                    |                   |                   |                  |                   |                   |
|-------------|----------------------------|--------------|--------------------|-------------------|-------------------|------------------|-------------------|-------------------|
| Part Number | L (mH)<br>±15 %<br>@ 1 KHz | I, DC<br>(A) | DCR<br>(Ω)<br>Max. | Dim.<br>A<br>Max. | Dim.<br>B<br>Max. | Im.<br>C<br>Nom. | Dim.<br>D<br>Nom. | Dim.<br>E<br>Nom. |
| 7101        | 0.6                        | 1.0          | 0.040              | 0.600             | 0.450             | 0.400            | 0.200             | 0.016             |
| 7102        | 1.0                        | 1.0          | 0.060              | 0.600             | 0.450             | 0.400            | 0.200             | 0.016             |
| 7103        | 2.0                        | 1.0          | 0.070              | 0.600             | 0.450             | 0.400            | 0.200             | 0.016             |
| 7104        | 3.0                        | 1.0          | 0.100              | 0.600             | 0.450             | 0.400            | 0.200             | 0.016             |
| 7105        | 5.0                        | 1.0          | 0.125              | 0.600             | 0.450             | 0.400            | 0.200             | 0.016             |
| 7106        | 0.6                        | 2.0          | 0.030              | 0.600             | 0.450             | 0.400            | 0.200             | 0.020             |
| 7107        | 1.0                        | 2.0          | 0.040              | 0.600             | 0.450             | 0.400            | 0.200             | 0.020             |
| 7108        | 2.0                        | 2.0          | 0.060              | 0.600             | 0.450             | 0.400            | 0.200             | 0.020             |
| 7109        | 3.0                        | 2.0          | 0.075              | 0.600             | 0.450             | 0.400            | 0.200             | 0.020             |
| 7110        | 0.6                        | 3.0          | 0.020              | 0.600             | 0.450             | 0.400            | 0.200             | 0.023             |
| 7111        | 1.0                        | 3.0          | 0.030              | 0.600             | 0.450             | 0.400            | 0.200             | 0.023             |
| 7112        | 1.0                        | 2.0          | 0.050              | 0.800             | 0.550             | 0.500            | 0.300             | 0.023             |
| 7113        | 2.0                        | 2.0          | 0.075              | 0.800             | 0.550             | 0.500            | 0.300             | 0.023             |
| 7114        | 3.0                        | 2.0          | 0.085              | 0.800             | 0.550             | 0.500            | 0.300             | 0.023             |
| 7115        | 5.0                        | 2.0          | 0.110              | 0.800             | 0.550             | 0.500            | 0.300             | 0.023             |
| 7116        | 8.0                        | 2.0          | 0.200              | 0.800             | 0.550             | 0.500            | 0.300             | 0.023             |
| 7117        | 1.0                        | 5.0          | 0.035              | 0.800             | 0.550             | 0.500            | 0.300             | 0.030             |
| 7118        | 2.0                        | 5.0          | 0.040              | 1.20              | 0.800             | 0.700            | 0.400             | 0.030             |
| 7119        | 5.0                        | 4.0          | 0.046              | 1.20              | 0.800             | 0.700            | 0.400             | 0.030             |
| 7120        | 8.0                        | 4.0          | 0.060              | 1.20              | 0.800             | 0.700            | 0.400             | 0.030             |
| 7121        | 50                         | 2.0          | 0.200              | 1.20              | 0.800             | 0.700            | 0.400             | 0.023             |
| 7122        | 30                         | 4.0          | 0.130              | 1.20              | 0.800             | 0.700            | 0.400             | 0.030             |
| 7123        | 11                         | 5.0          | 0.072              | 1.20              | 0.800             | 0.700            | 0.400             | 0.036             |
| 7124        | 3.0                        | 10           | 0.020              | 1.20              | 0.800             | 0.700            | 0.400             | 0.046             |

For RoHS compliant version, add "-RC" to part number.



Dimensions: Inches

**BOURNS®**

Tel. (877) 426-8767 • Fax (951) 781-5006

www.bourns.com

# Common Mode Inductors/EMI Filters

## Special Features

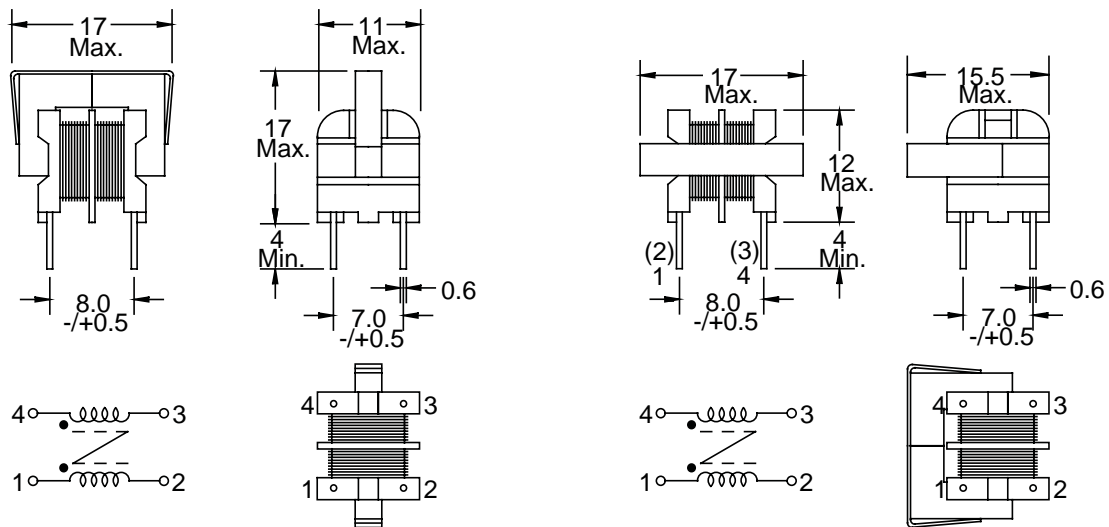
- Reduces conductive EMI emission
- High inductance, compact size
- High attenuation at low frequency
- Dielectric strength 3750 Vrms
- Coil wound on VW-1 rated plastic bobbin
- Core mounted horizontal or vertical
- Operating temperature -55 to +105 °C

## Notes

\* Rated current to cause 35 °C max. temperature rise  
 Add -H or -V mounting style after P/N  
 Example : 7355-V

| 7300 Series |              |            |              |
|-------------|--------------|------------|--------------|
| Part Number | L (mH)       | I, DC* (A) | DCR (Ω) Max. |
|             | Min. @ 1 KHz |            |              |
| 7350        | 0.5          | 1.5        | 0.12         |
| 7351        | 1            | 1.2        | 0.22         |
| 7352        | 2            | 0.85       | 0.4          |
| 7353        | 5            | 0.5        | 1.0          |
| 7354        | 8            | 0.4        | 2.0          |
| 7355        | 10           | 0.35       | 2.2          |
| 7356        | 22           | 0.27       | 4.0          |

For RoHS compliant version, add "-RC" to part number.



Vertical Core Mount

Horizontal Core Mount

Dimensions: mm

# Common Mode Inductors/EMI Filters

## Special Features

- Reduces conductive EMI emission
- High inductance, compact size
- High attenuation at low frequency
- Rated voltage: 250 VAC
- Dielectric strength: 3750 Vrms
- VW-1 rated plastic bobbin
- Operating temperature: -55 to +105 °C

## Typical Applications

- Line filter for switch mode power supplies
- Desk top computers
- TV, VCR, DVD and audio equipment
- Battery chargers
- Office equipment
- Industrial electronics
- EMI filters

## Notes

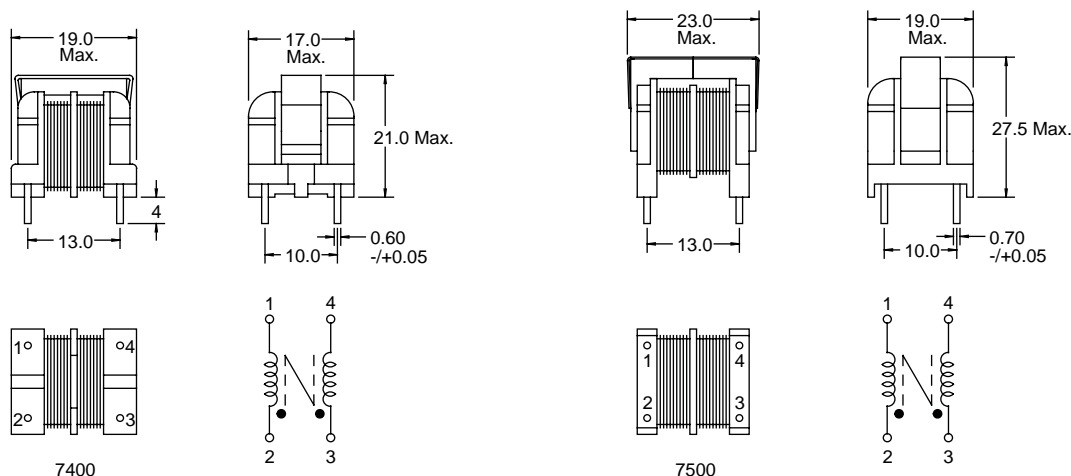
\* Rated Idc causes a 35 °C temperature rise

| 7400 Series |                           |                 |                |
|-------------|---------------------------|-----------------|----------------|
| Part Number | L (mH)<br>Min.<br>@ 1 KHz | DCR (Ω)<br>Max. | I (A)*<br>Max. |
| 7402-RC     | 0.6                       | 0.046           | 2.8            |
| 7404-RC     | 1.0                       | 0.049           | 2.4            |
| 7406-RC     | 2.0                       | 0.11            | 1.8            |
| 7408-RC     | 5.0                       | 0.28            | 1.1            |
| 7410-RC     | 8.0                       | 0.44            | 0.9            |
| 7412-RC     | 10.0                      | 0.50            | 0.8            |
| 7414-RC     | 20.0                      | 1.11            | 0.6            |
| 7416-RC     | 30.0                      | 1.73            | 0.5            |
| 7418-RC     | 45.0                      | 2.68            | 0.4            |

Only available as RoHS compliant.

| 7500 Series |                           |                 |                |
|-------------|---------------------------|-----------------|----------------|
| Part Number | L (mH)<br>Min.<br>@ 1 KHz | DCR (Ω)<br>Max. | I (A)*<br>Max. |
| 7502-RC     | 0.6                       | 0.025           | 4.4            |
| 7504-RC     | 1.0                       | 0.033           | 3.6            |
| 7506-RC     | 2.0                       | 0.058           | 2.9            |
| 7508-RC     | 5.0                       | 0.10            | 2.3            |
| 7510-RC     | 8.0                       | 0.20            | 1.6            |
| 7512-RC     | 10.0                      | 0.22            | 1.5            |
| 7514-RC     | 20.0                      | 0.49            | 1.0            |
| 7516-RC     | 30.0                      | 0.76            | 0.8            |
| 7518-RC     | 45.0                      | 1.18            | 0.7            |

Only available as RoHS compliant.



Dimensions: mm  
Tolerance: +/- 0.2

**BOURNS®**

Tel. (877) 426-8767 • Fax (951) 781-5006

[www.bourns.com](http://www.bourns.com)



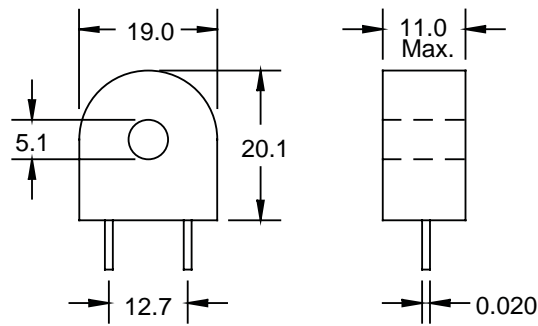
# Current Sensors

## Special Features

- High accuracy
- Coil encapsulated in plastic case
- Fixed lead spacing

| 7200 Series |             |                   |                          |            |                  |                       |
|-------------|-------------|-------------------|--------------------------|------------|------------------|-----------------------|
| Part Number | I Range (A) | Freq. Range (KHz) | Load Resis. ( $\Omega$ ) | Sec. Turns | Sec. L (mH) Min. | Sec. DCR ( $\Omega$ ) |
| 7201        | 2 - 10      | 5 - 50            | 50                       | 50         | 5                | 0.7                   |
| 7202        | 2 - 20      | 5 - 50            | 100                      | 100        | 20               | 1.4                   |
| 7203        | 2 - 35      | 1 - 100           | 200                      | 200        | 80               | 3.8                   |

For RoHS compliant version, add "-RC" to part number.



Dimensions: mm



**BOURNS®**

Tel. (877) 426-8767 • Fax (951) 781-5006

[www.bourns.com](http://www.bourns.com)

# Signal Line Common Mode Inductors/Isolation Transformers

## Special Features

- Excellent EMI suppression capability
- Excellent signal coupling
- Dielectric strength 500 Vrms
- Compact size
- Fixed pin spacing for easy PCB insertion
- Operating temperature -55 to +105 °C

## Typical Applications

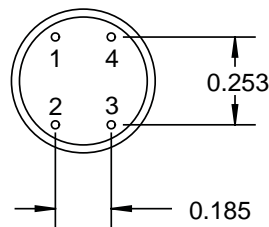
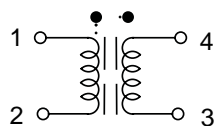
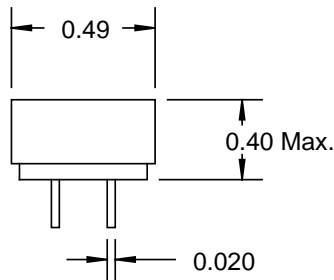
- Signal line EMI filtering
- Network switching boards
- Telephone systems
- Telecommunications

## Notes

- Rated current to cause approx. 35 °C temperature rise

| 3000 Series |                             |                 |            |
|-------------|-----------------------------|-----------------|------------|
| Part Number | L (μH)<br>± 15 %<br>@ 1 KHz | DCR (Ω)<br>Max. | I, DC* (A) |
| 3000-101    | 100                         | 0.155           | 1.13       |
| 3000-121    | 120                         | 0.166           | 1.09       |
| 3000-151    | 150                         | 0.204           | 0.99       |
| 3000-181    | 180                         | 0.259           | 0.81       |
| 3000-221    | 220                         | 0.316           | 0.79       |
| 3000-271    | 270                         | 0.345           | 0.76       |
| 3000-331    | 330                         | 0.415           | 0.69       |
| 3000-391    | 390                         | 0.515           | 0.62       |
| 3000-471    | 470                         | 0.706           | 0.53       |
| 3000-561    | 560                         | 0.742           | 0.52       |
| 3000-681    | 680                         | 0.897           | 0.47       |
| 3000-821    | 820                         | 1.16            | 0.41       |
|             | (mH)                        |                 |            |
| 3000-102    | 1.0                         | 1.38            | 0.38       |
| 3000-122    | 1.2                         | 1.89            | 0.32       |
| 3000-152    | 1.5                         | 2.47            | 0.28       |
| 3000-182    | 1.8                         | 2.80            | 0.26       |
| 3000-222    | 2.2                         | 3.12            | 0.25       |
| 3000-272    | 2.7                         | 3.68            | 0.23       |
| 3000-332    | 3.3                         | 4.71            | 0.21       |
| 3000-392    | 3.9                         | 5.16            | 0.20       |
| 3000-472    | 4.7                         | 6.64            | 0.18       |
| 3000-562    | 5.6                         | 9.03            | 0.15       |
| 3000-682    | 6.8                         | 10.2            | 0.14       |
| 3000-822    | 8.2                         | 11.5            | 0.13       |
| 3000-103    | 10                          | 13.1            | 0.12       |

For RoHS compliant version, add "-RC" to part number.



Dimensions: Inches

**BOURNS®**

Tel. (877) 426-8767 • Fax (951) 781-5006

[www.bourns.com](http://www.bourns.com)



**BOURNS®**

Tel. (877) 426-8767 • Fax (951) 781-5006

[www.bourns.com](http://www.bourns.com)



# EMI T Network Filters

## Special Features

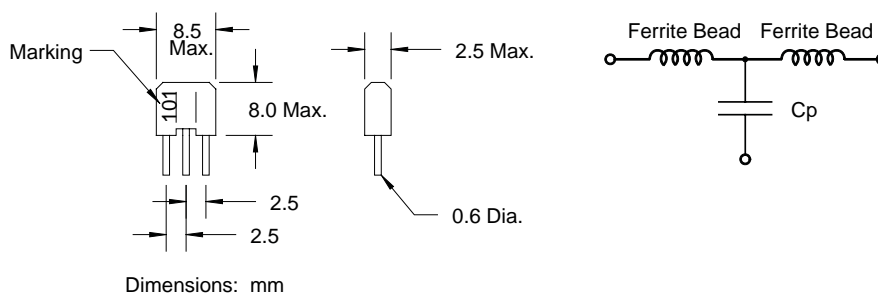
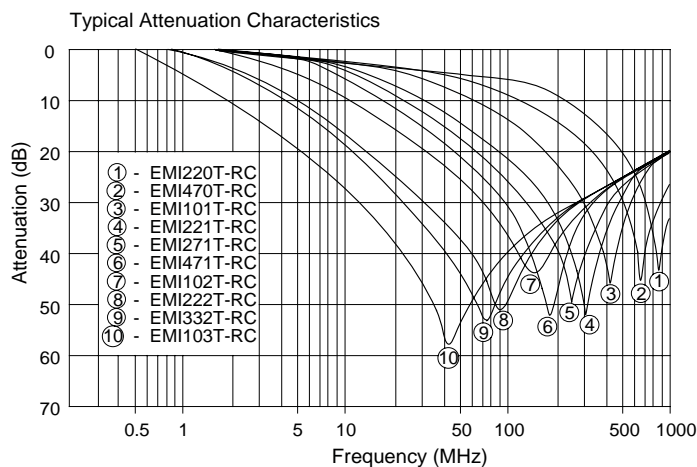
- Ferrite beads and chip capacitor T network EMI filters
- Excellent noise filtering capability at high frequency
- Taped packaged for automated insertion
- Rated current: 5 A
- Rated voltage: 50 VDC
- DC resistance: 0.05 Ohms max.
- Insulation resistance: 10 G Ohms @ 50 VDC
- Dielectric withstanding voltage: 125 VDC
- Operating temperature: -25 to +85 °C
- Ammo pack 2000 / Box

## Typical Applications

- Personal computers, printers, hard drives and telecommunication equipment
- Digital audio and video equipment
- Switch power supplies and AC adapters
- Automotive electronics
- Industrial electronic devices

| EMIT Series |                    |                                   |                                   |
|-------------|--------------------|-----------------------------------|-----------------------------------|
| Part Number | Cp (pF) @ 1 KHz    | 25 dB Attenuation Frequency (MHz) | 15 dB Attenuation Frequency (MHz) |
| EMI220T-RC  | 22 ±20 %           | 800 – 1000                        | 200 – 800                         |
| EMI470T-RC  | 47 ±20 %           | 550 – 700                         | 350 – 800                         |
| EMI101T-RC  | 100 ±20 %          | 350 – 500                         | 200 – 800                         |
| EMI221T-RC  | 220 ±20 %          | 200 – 350                         | 100 – 800                         |
| EMI271T-RC  | 270 ±20 %          | 200 – 300                         | 80 – 800                          |
| EMI471T-RC  | 470 ±20 %          | 120 – 300                         | 50 – 800                          |
| EMI102T-RC  | 1000 ±20 %         | 70 – 200                          | 30 – 800                          |
| EMI222T-RC  | 2200 ±20 %         | 45 – 200                          | 20 – 800                          |
| EMI332T-RC  | 3300 ±20 %         | 35 – 200                          | 15 – 800                          |
| EMI103T-RC  | 10,000 -20%, +80 % | 15 - 200                          | 6 - 800                           |

Only available as RoHS compliant.



**BOURNS®**

Tel. (877) 426-8767 • Fax (951) 781-5006

www.bourns.com



**BOURNS®**

Tel. (877) 426-8767 • Fax (951) 781-5006

[www.bourns.com](http://www.bourns.com)





### Worldwide Sales Offices

| Country                   | Phone               | Fax                 |
|---------------------------|---------------------|---------------------|
| Benelux:                  | +41 (0)41 768 5555  | +41 (0)41 768 5510  |
| Brazil:                   | +55 11 5505 0601    | +55 11 5505 4370    |
| China:                    | +86 21 64821250     | +86 21 64821249     |
| France:                   | +33 (0)2 5473 5151  | +33 (0)2 5473 5156  |
| Germany:                  | +49 (0)69 800 78212 | +49 (0)69 800 78299 |
| Ireland/UK:               | +44 (0)1276 691087  | +44 (0)1276 691088  |
| Italy:                    | +41 (0)41 768 5555  | +41 (0)41 768 5510  |
| Japan:                    | +81 49 269 3204     | +81 49 269 3297     |
| Malaysia (KL Office):     | +60 3 71183138      | +60 3 71183139      |
| Malaysia (Penang Office): | +60 4 6581771       | +60 4 6582771       |
| Singapore:                | +65 63461933        | +65 63461911        |
| Switzerland:              | +41 (0)41 768 5555  | +41 (0)41 768 5510  |
| Taiwan:                   | +886 2 25624117     | +886 2 25624116     |
| UK/Ireland:               | +44 (0)1276 691087  | +44 (0)1276 691088  |
| USA:                      | +1-951-781-5500     | +1-951-781-5006     |

### Non-Listed European

|                   |                    |                    |
|-------------------|--------------------|--------------------|
| <b>Countries:</b> | +41 (0)41 768 5555 | +41 (0)41 768 5510 |
|-------------------|--------------------|--------------------|

### Technical Assistance

| Region         | Phone              | Fax                |
|----------------|--------------------|--------------------|
| Asia-Pacific:  | +886 2 25624117    | +886 2 25624116    |
| Europe:        | +41 (0)41 768 5555 | +41 (0)41 768 5510 |
| North America: | +1-951-781-5500    | +1-951-781-5700    |

### [www.bourns.com](http://www.bourns.com)

*Bourns® products are available through an extensive network of manufacturer's representatives, agents and distributors.*

*To obtain technical applications assistance, a quotation, or to place an order, contact a Bourns representative in your area.*

*Specifications subject to change without notice. Actual performance in specific customer applications may differ due to the influence of other variables. Customers should verify actual device performance in their specific applications.*



*Reliable Electronic Solutions*

"Bourns" is a registered trademark of Bourns, Inc. in the U.S. and other countries.

COPYRIGHT © 2006, BOURNS, INC. • LITHO IN U.S.A. • CPS • 09/06 • 1M/IC0633

## X-ON Electronics

Largest Supplier of Electrical and Electronic Components

*Click to view similar products for [Fixed Inductors](#) category:*

*Click to view products by [Greenlee](#) manufacturer:*

Other Similar products are found below :

[MLZ1608M6R8WTD25](#) [MLZ1608N6R8LT000](#) [MLZ1608N3R3LTD25](#) [MLZ1608N3R3LT000](#) [MLZ1608N150LT000](#)  
[MLZ1608M150WTD25](#) [MLZ1608M3R3WTD25](#) [MLZ1608M3R3WT000](#) [MLZ1608M150WT000](#) [MLZ1608A1R5WT000](#)  
[MLZ1608N1R5LT000](#) [B82432C1333K000](#) [PCMB053T-1R0MS](#) [PCMB053T-1R5MS](#) [PCMB104T-1R5MS](#) [CR32NP-100KC](#) [CR32NP-151KC](#) [CR32NP-180KC](#) [CR32NP-181KC](#) [CR32NP-1R5MC](#) [CR32NP-390KC](#) [CR32NP-3R9MC](#) [CR32NP-680KC](#) [CR32NP-820KC](#)  
[CR32NP-8R2MC](#) [CR43NP-390KC](#) [CR43NP-560KC](#) [CR43NP-680KC](#) [CR54NP-181KC](#) [CR54NP-470LC](#) [CR54NP-820KC](#) [CR54NP-8R5MC](#)  
[MGDQ4-00004-P](#) [MGDU1-00016-P](#) [MHL1ECTTP18NJ](#) [MHL1JCTTD12NJ](#) [PE-51506NL](#) [PE-53601NL](#) [PE-53630NL](#) [PE-53824SNLT](#) [PE-62892NL](#) [PE-92100NL](#) [PG0434.801NLT](#) [PG0936.113NLT](#) [PM06-2N7](#) [PM06-39NJ](#) [HC2LP-R47-R](#) [HC2-R47-R](#) [HC3-2R2-R](#) [HC8-1R2-R](#)