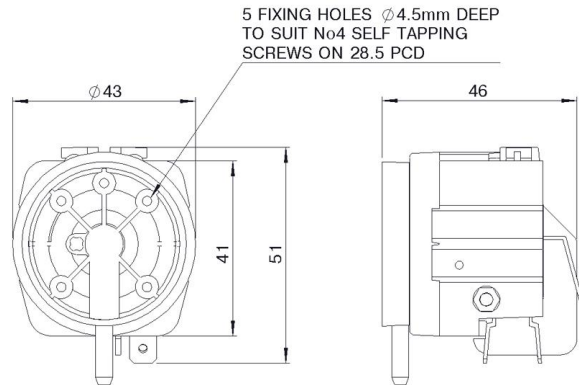


6721/6722 Vacuum Switch

PRODUCT IMAGE



LINE DRAWING



BENEFITS

- these switches have been designed primarily for the OEM manufacturer who requires high reliability
- UL approved versions available
- double pole switching available as a 6722
- wide choice of microswitch options including tag configurations
- high performance repeatability

SPECIFICATIONS

standards/approvals	UL 508 specific models only
degree of protection	n/a
connection method	back & side entry spout, 4mm dia. or 1/8" BSPT & NPT Brass
electrical rating	see table below
contact configuration	see table below
pressure range	n/a
operating temperature	-5°C to +70°C
body material	thermoplastic
weight	0.04Kg
additional information	setting accuracy ±10% for very low power circuits, gold contact versions are available upon request alternative diaphragm & spring materials available upon request

6721/6722 Vacuum Switch

SUITABLE FOR USE WITH THE FOLLOWING MEDIA:

Acetone	✓
Ammonia (Liquid)	✓
Amyl Alcohol to 20°C	✓
Automotive Brake Fluid	✓
Beer	✓
Benzyl Alcohol	x
Butane	✓
Carbon Dioxide – Dry	✓
Citric Acid	✓
Copper Sulphate (Sol.)	✓
Compressed Air	✓
Cutting Oil	✓
Diesel Oil	✓
Detergent Solution	✓
Fuel Oil	✓
Glycol	✓
Hydraulic Oil	✓
Hydrogen	✓
Lubricating Oil	✓
Milk	✓
Mineral Oil	✓
Natural Gas	✓
Nitric Acid (Dil.)	x
Oxygen to 70°C	✓
Petrol	✓
Plating Solution (Chrome)	✓
Salt Water	✓
Sewage	✓
Sulphur Dioxide	x
Turpentine	✓
Vinegar	✓
Water	✓

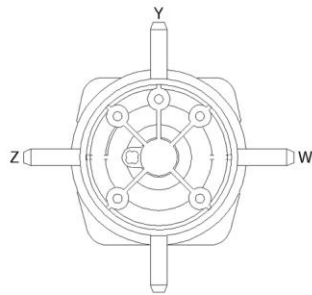
✓ = Recommended
 ✓ = Suitable with modification
 x = Not suitable

6721/6722 Vacuum Switch

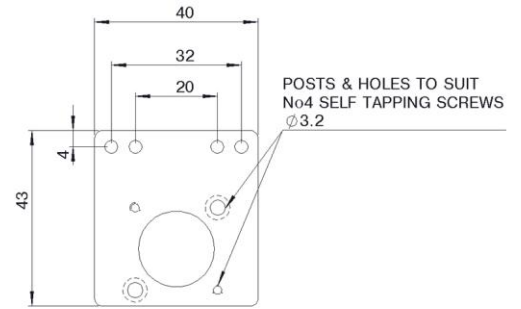
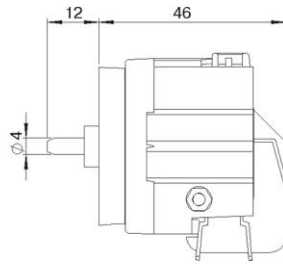
Model No		6721-03	6721-06	6721-20	6721-30	6721-40
Vacuum Range (mbar)	Min	75	180	330	710	1900
	Max	200	380	810	2030	6860
Body withstand pressure (mbar)	1,725					
Connecting tube reference	2311-01 / 2311-08 to suit 4mm dia. spout					
Diaphragm	Neoprene					
Mechanical Life		2 x 10 ⁶ cycles	2 x 10 ⁶ cycles	1 x 10 ⁶ cycles	1 x 10 ⁶ cycles	1 x 10 ⁶ cycles
Spring	Spring Steel fitted in vacuum cavity, therefore in contact with the media					

Electrical Data		6721-03		6721-06			6721-20/30/40				
Contact Configuration	SPCO										
Contact Plating	Silver										
Electrical Life		2 x 10 ⁵ @ 1A		2 x 10 ⁵ @ 6A 5 x 10 ⁴ @ 10A			2 x 10 ⁵ @ 10A 1 x 10 ⁴ @ 21A				
Electrical Rating			Max. Electrical Load			Max. Electrical Load			Max. Electrical Load		
		Voltage (V)	Resistive (A)	Inductive (A)	Resistive (A)	Inductive (A)	Motor (Pf0.75)	Resistive (A)	Inductive (A)	Motor (Pf0.75)	
AC	125	3	1	10	3	0.5HP	21	15	1HP		
AC	250	3	1	10	3	0.5HP	21	15	2HP		
DC	6	3	1	10	3		21	21			
DC	12	3	1	5	3		15	15			
DC	24	1	0.5	5	3		8	7			
DC	60	1	0.5	1	0.5		1	0.5			
DC	110	0.5	0.2	0.5	0.2		0.5	0.2			
DC	220	0.5	0.1	0.25	0.1		0.25	0.1			

6721/6722 Vacuum Switch



Non standard tube connection positions for 4 Dia spout



Mounting Plate & 2 Screws
6050-6000-0001

X-ON Electronics

Largest Supplier of Electrical and Electronic Components

Click to view similar products for [herga manufacturer](#):

Other Similar products are found below :

[6433-0019](#) [6289-PP](#) [6254-OB](#) [6442-OW](#) [6438-ACAC-AB00](#) [6227-0004](#) [6289-01](#) [6251-BAAA-CBZ0](#) [6226-0003](#) [6438-ABAB-AB00](#) [6289-CC](#) [6753-AEJA-A000](#) [6448-AAAB-0000](#) [6871-0C](#)