

REV.	CNN	CNN DESCRIPTION	Date	Check in
09	-	-	11/10/2012	Shaun Baron

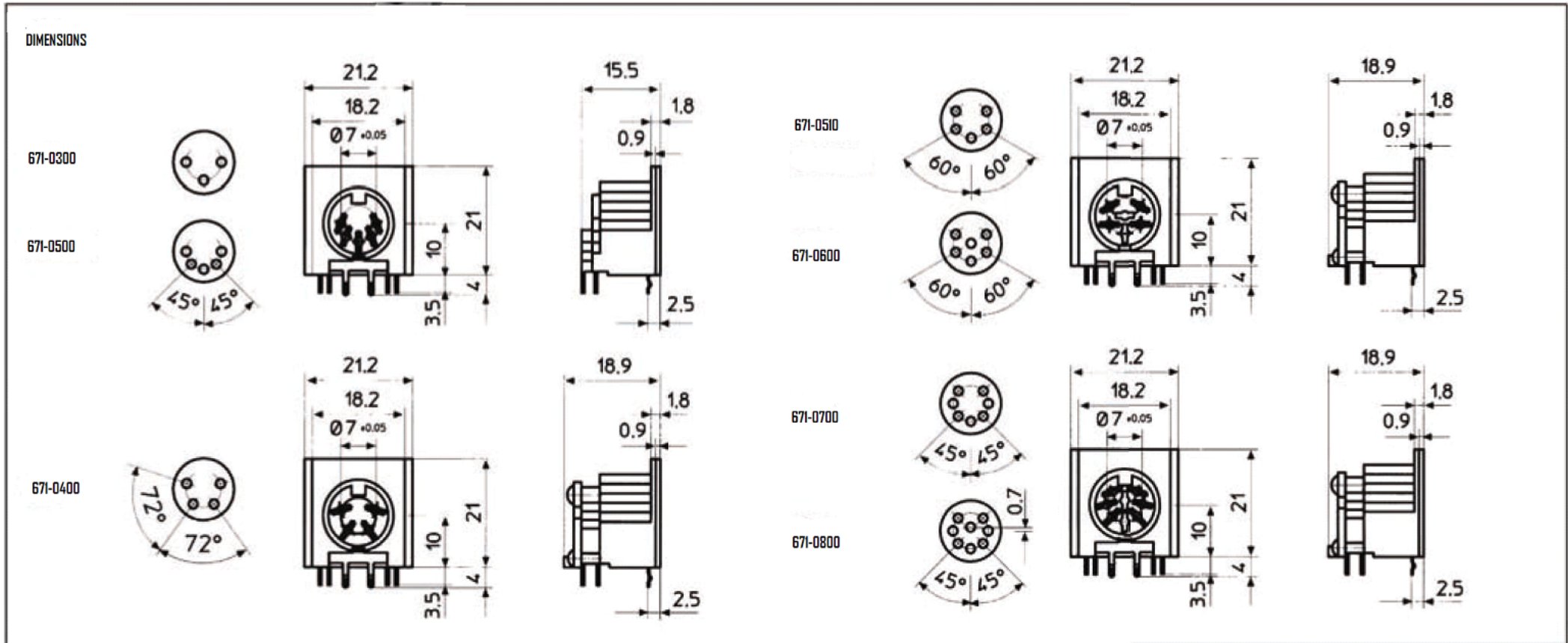
Printed circuit board - 90 Deg DIN Sockets - 671 Series  
 A range of right-angled printed circuit board mounting DIN sockets which enable any DIN plug to be interfaced with a PCB

Material	Black PA66 UL94HB
Contacts	CuZn 37 + Ni +Sn
<b>Electrical</b>	
Rated Voltage	34 V a.c. or d.c.
Current Rating	4.A
Contact Resistance	10 mΩ max
<b>Climatic</b>	
Temperature Range	-25°C to +70°C

Type	Deltron No
3 Way	671-0300
4 Way 72°	671-0400
5 Way 45°	671-0500
5 Way 60°	671-0510
6 Way 60°	671-0600
7 Way 45°	671-0700
8 Way 45°	671-0800



RoHS  
2002/95/EC  
Compliant



Tel No. +44(0)1724 273200 Website www.dem-uk.com



PROPRIETARY AND CONFIDENTIAL  
 THE INFORMATION CONTAINED IN THIS DRAWING IS THE SOLE PROPERTY OF ALPHA 3 MANUFACTURING.  
 ANY REPRODUCTION IN PART OR AS A WHOLE WITHOUT THE WRITTEN PERMISSION OF ALPHA 3 MANUFACTURING IS PROHIBITED.  
 DEM Manufacturing, Deltron Emcon House  
 Hargreaves Way, Sawcliffe Ind. Park,  
 Scunthorpe, North Lincolnshire, DN15 8RF, UK

UNLESS OTHERWISE SPECIFIED:  
 DIMENSIONS ARE IN MILLIMETRES.  
 TOLERANCE:  
 NO DECIMAL PLACES ±0.2mm  
 1 DECIMAL PLACE ±0.1mm  
 2 DECIMAL PLACES ±0.05mm  
 ANGULAR TOLERANCE: ±1°

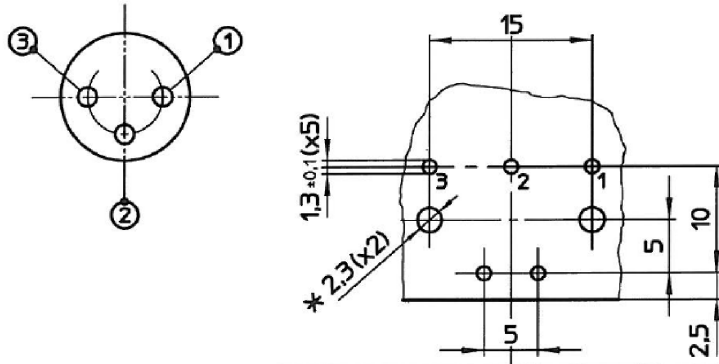
FINISH . . . . .  
 DEBURR AND BREAK SHARP EDGES  
 IF IN DOUBT ASK DO NOT SCALE DRAWING  
 MATERIAL

DRAWN BY W.Coxon  
 APPROVED BY  
 THIRD ANGLE PROJECTION

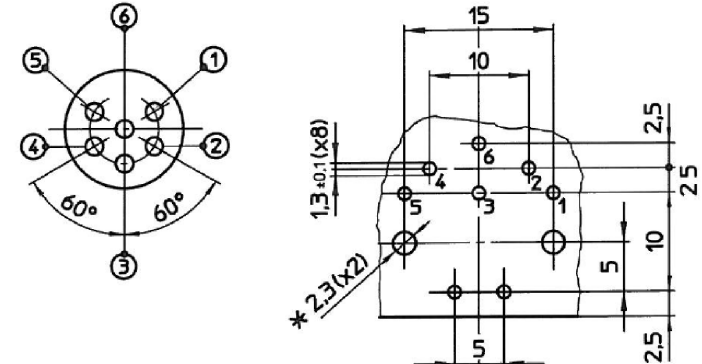
SHEET 1 OF 2  
 SCALE 1:2  
 A4

TITLE PCB - DIN Sockets  
 General Specification  
 671 Series  
 DRAWING NO. 671 DIN Specification  
 ISSUE 09  
 Release

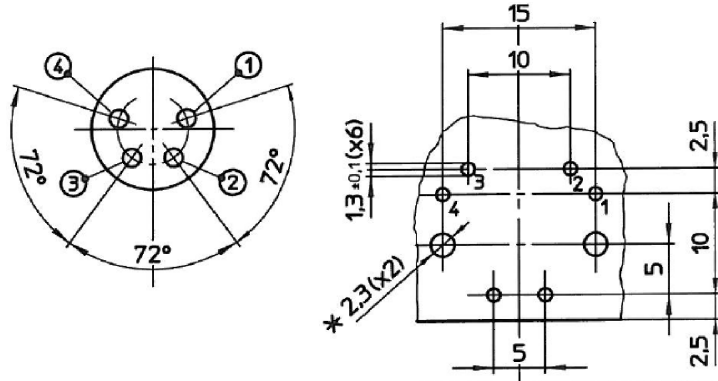
### 671-0300 Foot Print



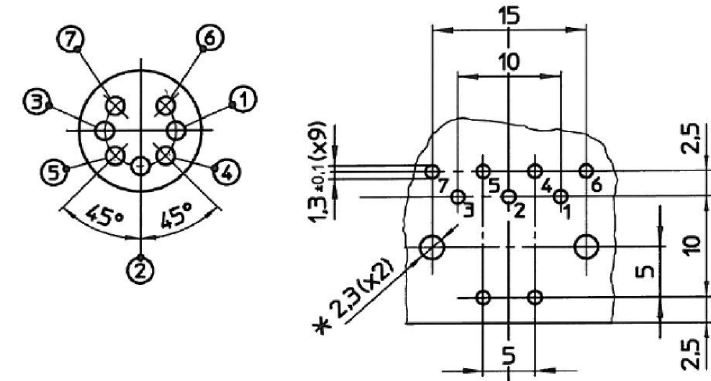
### 671-0600 Foot Print



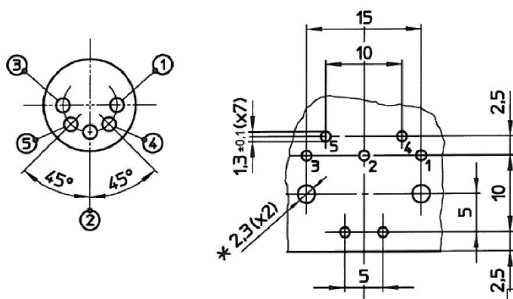
### 671-0400 Foot Print



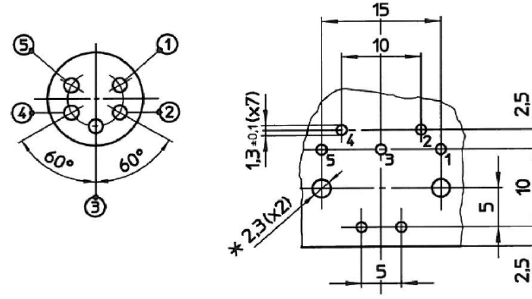
### 671-0700 Foot Print



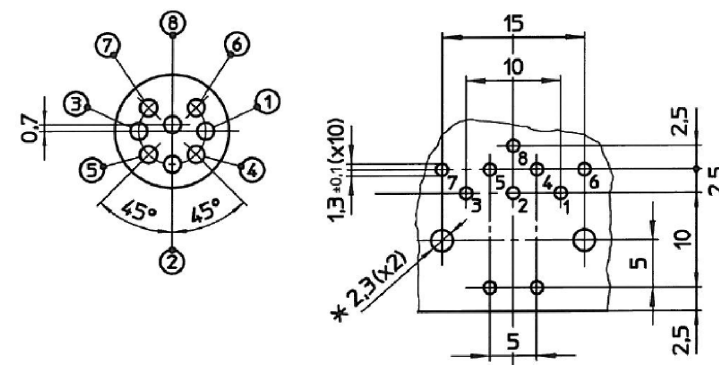
### 671-0500 Foot Print



### 671-0510 Foot Print



### 671-0800 Foot Print



Tel No. +44(0)1724 273200 Website www.dem-uk.com



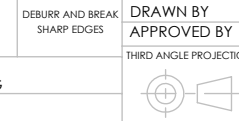
PROPRIETARY AND CONFIDENTIAL  
THE INFORMATION CONTAINED IN THIS DRAWING IS THE SOLE PROPERTY OF  
ALPHA 3 MANUFACTURING.  
ANY REPRODUCTION IN PART OR AS A WHOLE WITHOUT THE WRITTEN PERMISSION OF  
ALPHA 3 MANUFACTURING IS PROHIBITED.



UNLESS OTHERWISE SPECIFIED:  
DIMENSIONS ARE IN MILLIMETRES.  
TOLERANCE:  
NO DECIMAL PLACES ±0.2mm  
1 DECIMAL PLACE ±0.1mm  
2 DECIMAL PLACES ±0.05mm  
ANGULAR TOLERANCE: ±1°

FINISH  
DEBURR AND BREAK SHARP EDGES  
DRAWN BY  
APPROVED BY  
THIRD ANGLE PROJECTION  
IF IN DOUBT ASK  
DO NOT SCALE DRAWING

MATERIAL



W.Coxon  
SHEET 2 OF 2  
SCALE 1:2  
A4

TITLE  
PCB - DIN Sockets  
General Specification  
671 Series  
DRAWING NO.  
671 DIN  
Specification

ISSUE  
09  
Release

## X-ON Electronics

Largest Supplier of Electrical and Electronic Components

*Click to view similar products for [deltron](#) manufacturer:*

Other Similar products are found below :

[610-0700](#) [651-0800](#) [342-0000](#) [W127G](#) [066541F](#) [066542D](#) [W205C](#) [W106C](#) [611-0700](#) [717-0400](#) [456-0020](#) [460-0070](#) [479-0020-5](#) [486-121209-66](#) [480-C010](#) [490-170805E-68](#) [459-0080](#) [459-0140](#) [590-0700](#) [MDU14S](#) [4MP2616](#) [461-0050](#) [571-0400-01](#) [480-C040](#) [462-0020E](#) [4DR3522](#) [487-261612E-66](#) [486-261609-68](#) [466-0050](#) [356-0200](#) [702-0500](#) [711-0500](#) [552-0600](#) [WHT](#) [800-0400](#) [487-261609E-66](#) [487-221209E-68](#) [462-0040A](#) [461-0070](#) [456-0030](#) [461-0070E](#) [490-040503A-68](#) [486-S68-2616](#) [4ELM6](#) [483-0100](#) [483-0030](#) [480-0010](#) [466-0150](#) [455-0020](#) [461-0030](#) [461-0090](#)