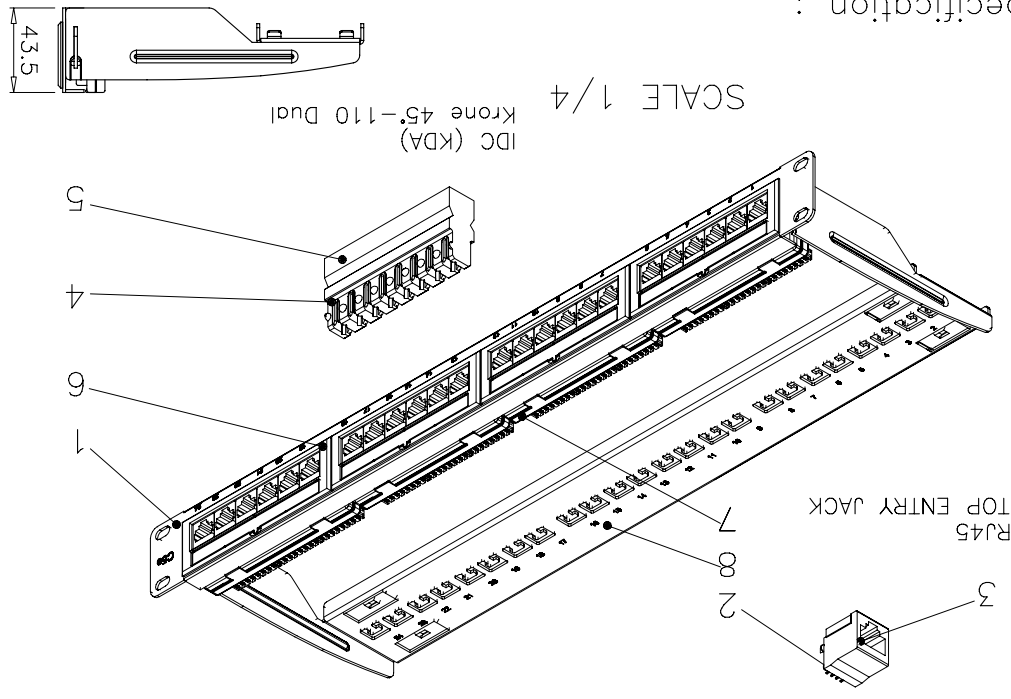


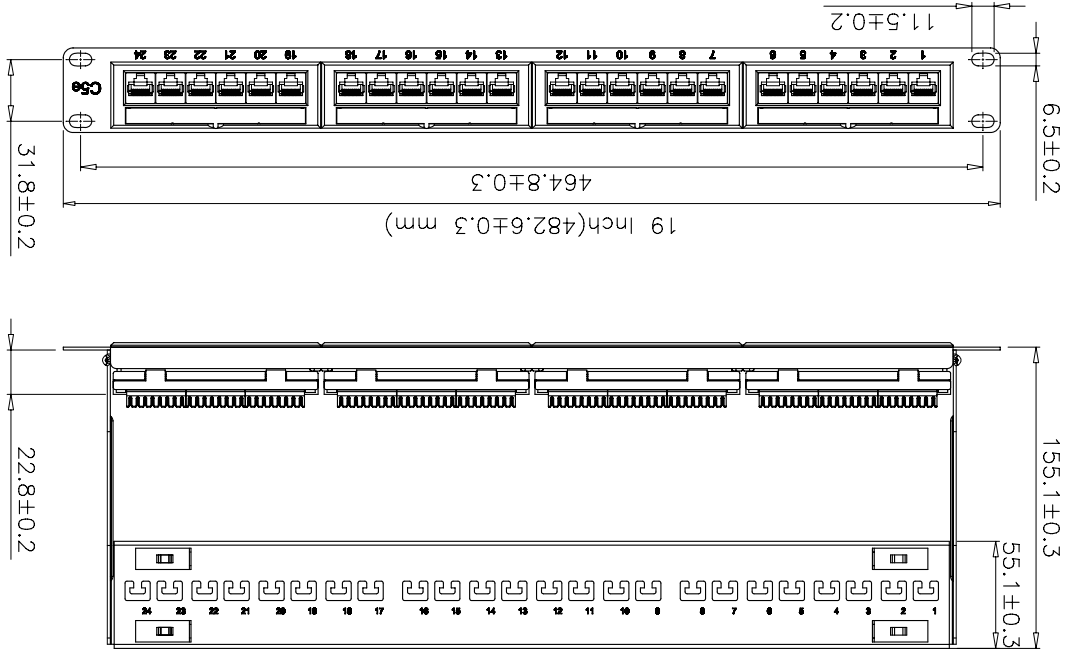
- a. The IDC color codes combine two wiring of T568A & T568B.
- b. Insertion Force : 900 gms for 8 contacts.
- c. Retention Strength : 7.7 kgs between Jack and Plug.
- d. Operation Temperature : -40°C to 80°C.
- e. Durability :
  - e-1. Jack : 750 cycles Plug-Jack mating and unmating test, insertion cycles at 20 cycles/minute max. Contact resistance test per 100 cycles.
  - e-2. IDC : Max. 200 punching times.
- f. The Cat.5e performance is in compliance with the ANSI/TIA/EIA 568 B.2 standard.

- Performance :
- 8. Support Bar : SPCG, 1.5 mm thickness with Black color painted.
  - 7. IDC Bracket : PC & ABS mixed, UL 94V-0.
  - 6. Jack Bracket Set : ABS, UL 94V-0.
  - 5-3. Use for 22-26 AWG stranded & solid wire.
  - 5-2. 110 & Krone tool compatible.
  - 5-1. Phosphor Bronze with 50 micro-inch Tin plated.
  - 5. IDC Terminal material & finished :
    - 4. IDC Housing : Polycarbonate, UL 94V-2, KRONE dual.
    - 3-2. Contact area : Min. 3 mm 50 micro-inch Gold plated.
    - 3-1. Phosphor Bronze with 30-40 micro-inch Nickel plated.
  - 3. RJ45 Jack contact material & finished :
    - 2. RJ45 Jack Housing : PBT, UL 94V-0.
    - 1. Panel : SPCG, 1.5 mm thickness with Black color painted.

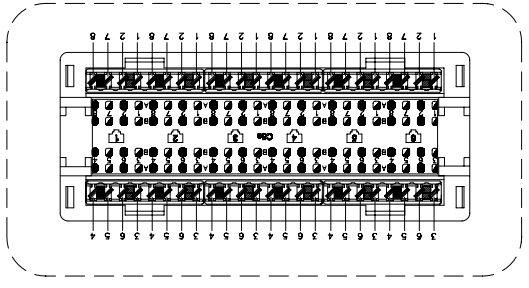
Specification :



SCALE 1/4



SCALE 1/2



RoHS Compliant

<b>Videk Ltd</b> ITBM NO: 8602E				DSGN CSQ	21.MAY.2007	CHK Maer	21.MAY.2007	APPR Yty	21.MAY.2007	Cat.5e Patch Panel 24 port
				UNIT 	M/M	SCALE 1/4	DWG NO: 8602E			

## X-ON Electronics

Largest Supplier of Electrical and Electronic Components

*Click to view similar products for [videk manufacturer](#):*

Other Similar products are found below :

[2129HQ-1](#) [1996-10B](#) [1054](#) [2993-10BK](#) [2996AS-1GY](#) [2961-15G](#) [2965-0.5RG](#) [2965-0.75Y](#) [2965-10Y](#) [2965-30IM](#) [4093-2](#) [8920-4.3](#) [1963-3](#)  
[1962-10R](#) [2259](#) [2961-30BK](#) [2965-30G](#) [2965-3BK](#) [2965-1.5B](#) [2996AS-0.5Y](#) [8103](#) [2419-2](#) [2965-0.3PK](#) [2965-1.5RG](#) [2965-2PR](#) [2965-30](#)  
[2965-30BK](#) [2409M-2](#) [2993-3RG](#) [2996AS-10B](#) [2996AS-5G](#) [1962-3](#) [2996AS-3](#) [2965-15BK](#) [8104](#) [2561-1](#) [9301-5](#) [2965-0.75BK](#) [2965-30B](#)  
[2965-3RG](#) [2996AS-10BK](#) [2218D-2](#) [1962-5](#) [2129GHQ-3](#) [2965-15B](#) [2965-15Y](#) [2560A-2](#) [3089-2](#) [2118D](#) [1961-50R](#)