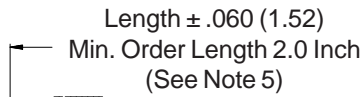
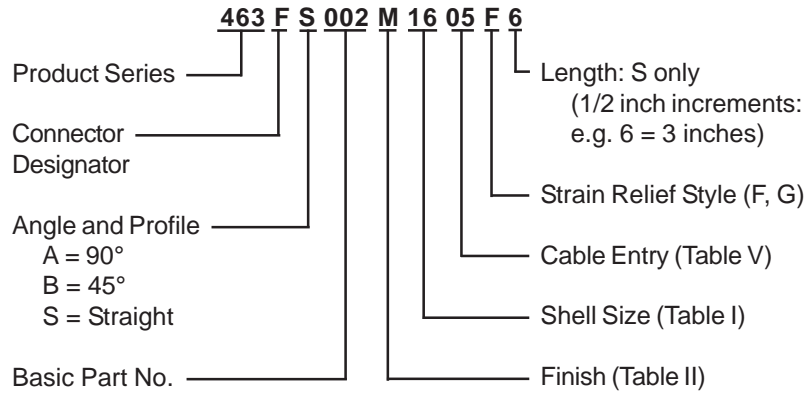
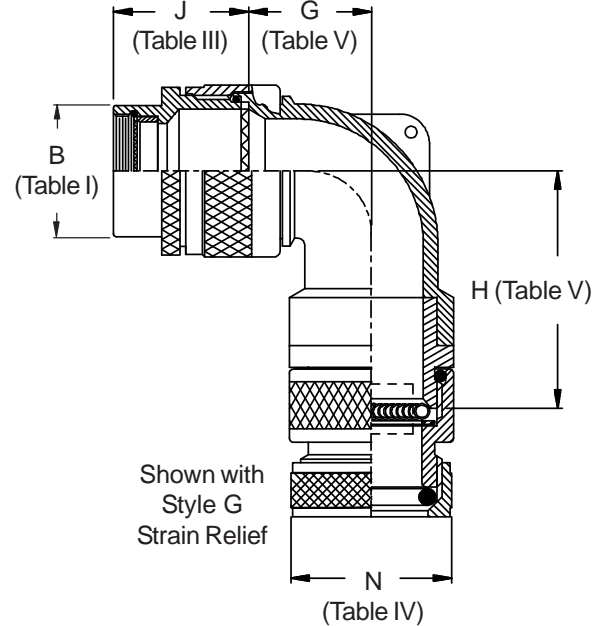
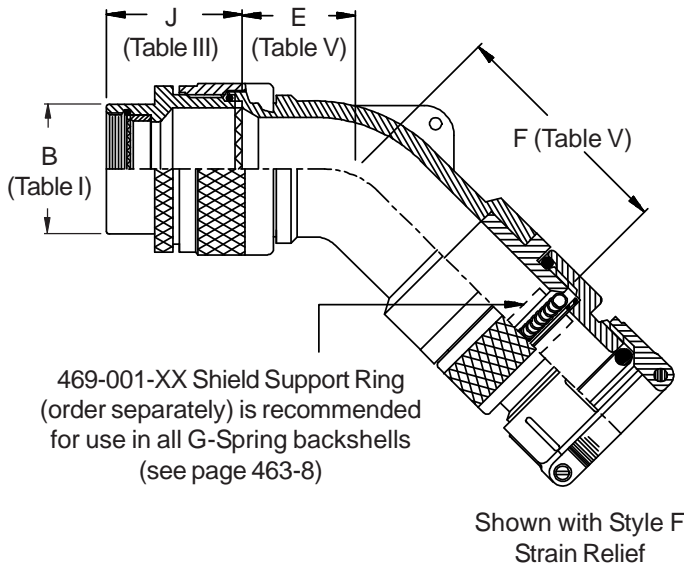
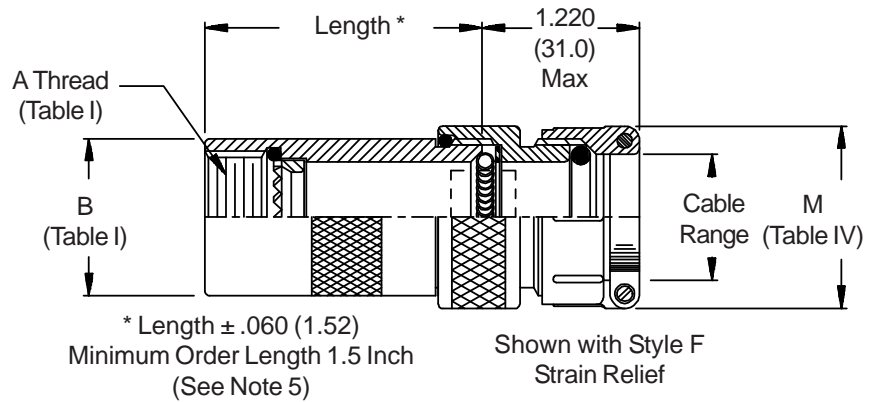


CONNECTOR DESIGNATORS
A-B*-C-D-E-F
G-H-J-K-L-S
 * Conn. Desig. B See Note 6
DIRECT COUPLING



STYLE 2
(STRAIGHT)
 See Note 1)



463-002
EMI/RFI Environmental G-Spring Backshell
with Strain Relief
Direct Coupling - Low Profile



See inside back cover fold-out or pages 13 and 14 for Tables I and II.

| TABLE III: FRONT ADAPTER | | | |
|--------------------------|--------------------------|-------------|-------------|
| Shell Size | J Max - Conn. Designator | | |
| | A-E-F | | |
| | J-H-L-S | D-B-G-K | C |
| 08/09 | 1.180(30.0) | 1.440(36.6) | |
| 10/11 | 1.180(30.0) | 1.440(36.6) | |
| 12/13 | 1.180(30.0) | 1.440(36.6) | 1.735(44.1) |
| 14/15 | 1.180(30.0) | 1.440(36.6) | 1.915(48.6) |
| 16/17 | 1.380(35.0) | 1.560(39.6) | 1.915(48.6) |
| 18/19 | 1.380(35.0) | 1.560(39.6) | 1.915(48.6) |
| 20/21 | 1.380(35.0) | 1.560(39.6) | 1.915(48.6) |
| 22/23 | 1.380(35.0) | 1.560(39.6) | 1.915(48.6) |
| 24/25 | 1.380(35.0) | 1.560(39.6) | 1.915(48.6) |
| 28/29 | 1.610(40.9) | 1.560(39.6) | 1.915(48.6) |
| 32/33 | 1.610(40.9) | 1.750(44.5) | 1.915(48.6) |
| 36 | 1.610(40.9) | 1.750(44.5) | 1.915(48.6) |
| 40 | 1.610(40.9) | 2.190(55.6) | 1.915(48.6) |

| TABLE IV: CABLE ENTRY | | | | | | |
|-----------------------|--------------|--------------|--------------|--------------|-----|-----|
| Dash No. | M Max | N Max | Cable Range | | | |
| | | | Min | Max | Min | Max |
| 01 | .843 (21.4) | .625 (15.9) | .125 (3.2) | .250 (6.4) | | |
| 02 | .968 (24.6) | .750 (19.1) | .156 (4.0) | .375 (9.5) | | |
| 03 | 1.046 (26.6) | .875 (22.2) | .250 (6.4) | .438 (11.1) | | |
| 04 | 1.156 (29.4) | 1.000 (25.4) | .280 (7.1) | .500 (12.7) | | |
| 05 | 1.218 (30.9) | 1.125 (28.6) | .375 (9.5) | .625 (15.9) | | |
| 06 | 1.343 (34.1) | 1.250 (31.8) | .500 (12.7) | .750 (19.1) | | |
| 07 | 1.468 (37.3) | 1.375 (34.9) | .625 (15.9) | .875 (22.2) | | |
| 08 | 1.593 (40.5) | 1.500 (38.1) | .750 (19.1) | 1.000 (25.4) | | |
| 09 | 1.718 (43.6) | 1.625 (41.3) | .875 (22.2) | 1.125 (28.6) | | |
| 10 | 1.843 (46.8) | 1.750 (44.5) | 1.000 (25.4) | 1.250 (31.8) | | |
| 11* | 2.187 (55.5) | 1.875 (47.6) | 1.125 (28.6) | 1.375 (34.9) | | |
| 12* | 2.312 (58.7) | 2.000 (50.8) | 1.250 (31.8) | 1.500 (38.1) | | |
| 13* | 2.437 (61.9) | 2.125 (54.0) | 1.375 (34.9) | 1.625 (41.3) | | |
| 14* | 2.546 (64.7) | 2.250 (57.2) | 1.500 (38.1) | 1.750 (44.5) | | |

* Consult factory for availability

| TABLE V: ELBOW DIMENSIONS | | | | | | | | |
|---------------------------|-------|--------|-------|--------|-------|--------|-------|--------|
| Elbow Size | E | | F | | G | | H | |
| | Max | | Max | | Max | | Max | |
| 01 | .630 | (16.0) | 1.720 | (43.7) | .636 | (16.2) | 1.670 | (42.4) |
| 02 | .630 | (16.0) | 1.720 | (43.7) | .710 | (18.0) | 1.790 | (45.5) |
| 03 | .692 | (17.6) | 1.780 | (45.2) | .734 | (18.6) | 1.810 | (46.0) |
| 04 | .755 | (19.2) | 1.870 | (47.5) | .825 | (21.0) | 1.880 | (47.8) |
| 05 | .848 | (21.5) | 1.980 | (50.3) | .988 | (25.1) | 1.970 | (50.0) |
| 06 | 1.036 | (26.3) | 2.170 | (55.1) | 1.087 | (27.6) | 2.140 | (54.4) |
| 07 | 1.036 | (26.3) | 2.170 | (55.1) | 1.087 | (27.6) | 2.140 | (54.4) |
| 08 | 1.130 | (28.7) | 2.320 | (58.9) | 1.325 | (33.7) | 2.250 | (57.2) |
| 09 | 1.130 | (28.7) | 2.320 | (58.9) | 1.325 | (33.7) | 2.250 | (57.2) |
| 10 | 1.255 | (31.9) | 2.370 | (60.2) | 1.337 | (34.0) | 2.420 | (61.5) |
| 11 | 1.317 | (33.5) | 2.470 | (62.7) | 1.827 | (46.4) | 2.670 | (67.8) |
| 12 | 1.317 | (33.5) | 2.470 | (62.7) | 1.827 | (46.4) | 2.670 | (67.8) |
| 13 | 1.348 | (34.2) | 2.560 | (65.0) | 2.027 | (51.5) | 2.670 | (67.8) |
| 14 | 1.348 | (34.2) | 2.560 | (65.0) | 2.027 | (51.5) | 2.670 | (67.8) |

1. Shield Support Ring (469-001-XX) is recommended for use in all G-Spring backshells (see page 463-8).
2. When maximum cable entry (page 22) is exceeded, Style 2 will be supplied. Angular Function S only.
3. Metric dimensions (mm) are indicated in parentheses.
4. Cable range is defined as the accommodations range for the wire bundle or cable. Dimensions shown are not intended for inspection criteria.
5. Consult factory for shorter lengths on straight backshells.
6. When using Connector Designator B refer to pages 18 and 19 for part number development.

X-ON Electronics

Largest Supplier of Electrical and Electronic Components

Click to view similar products for [D-Sub Backshells](#) category:

Click to view products by [Glenair](#) manufacturer:

Other Similar products are found below :

[173114-0084](#) [173112-1658](#) [600X51137X](#) [600X54009X](#) [66241-12A](#) [M85049/48-1-2](#) [M85049/48-3-5F](#) [M85049/6-38N](#) [M85049/86-12N03](#)
[70.350.0636.4](#) [70.350.2435.1](#) [72.350.1035.2](#) [72.352.2435.1](#) [73.359.4035.3](#) [799-015TMH07M](#) [799-015TMH08N](#) [FKH1RE](#) [829472-1](#) [F-](#)
[PHG-1E](#) [F-PHG-3E](#) [F-PHG-4E](#) [F-PHR-4E](#) [PCS-E20W](#) [8655MHRA0901KLF](#) [8655MHRA2501KLF](#) [958-009-010R011](#) [970-015-040R011](#)
[970-025-030R121](#) [970-025-040R011](#) [971-009-030R121](#) [971-009-040R011](#) [971-015-040R011](#) [971-025-040R011](#) [GS85049/38-25M](#) [975T009-](#)
[020R121](#) [975T015-020R121](#) [1-21986-2](#) [1-21986-5](#) [DB-20962](#) [DE-C8-J9-F4-1R](#) [DE-C8-J9-F5-1R](#) [DPH-B-003](#) [1437013-9](#) [1484402-8](#)
[MS3057-10A](#) [156-3025-EX](#) [MS3417-16C](#) [16-500800](#) [165X02659X](#) [165X03329A](#)