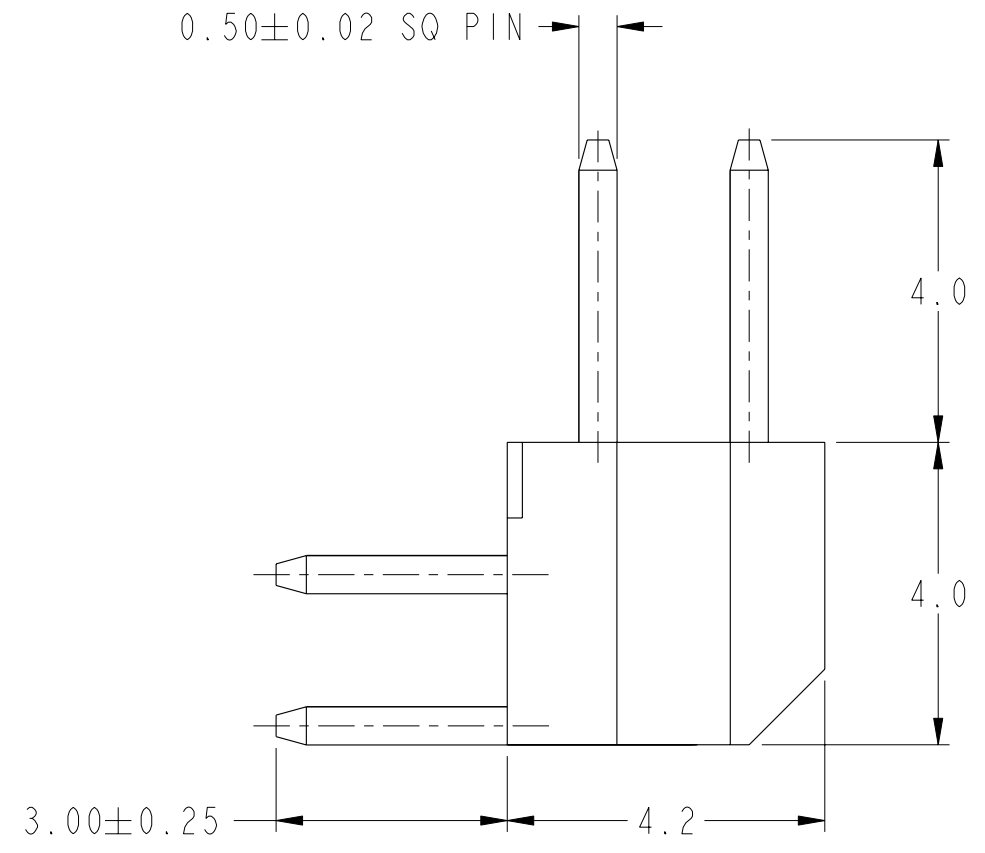


PCB THICKNESS: 1.6 ±0.1  
 RECOMMENDED MOUNTING HOLE LAYOUT



**CONFIDENTIAL**

www.fciconnect.com			surface ISO 1302	tolerance std ISO 406 ISO 1101	projection MM
TOLERANCES UNLESS OTHERWISE SPECIFIED					
Dr	ML CHWA	1990-11-13	ANGULAR	x.X	±
Eng	BS LOW	1990-11-13	LINEAR	x.XX	±0.25
Chr	KH LEE	2010-02-01	0° ±3°	x.XXX	±
Appr	JOEY NG	2010-02-01	Product family	MINITEK	Spec ref
FCI			title MINITEK II HEADER (2 ROWS R/A)		Rev. H
-			catalog no	-	CUSTOMER
-			dwg no 86453		sheet 1 of 2

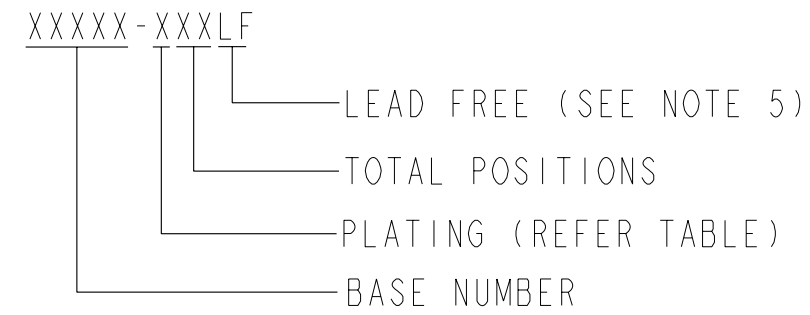
rev	ecn no	dr	date
C	S0399	S.TAY	1990-01-16
D	S00232	CHWA	1990-09-24
E	S00285	BSL	1990-11-13
F	S05-0053	KBM	2005-02-24
G	S06-0236	KHL	2006-07-17
H	S10-0205	AK	2010-02-01
-	-	-	-



Copyright FCI.

PRODUCT NO	POS	DIM X	DIM Y
86453-X02	2 X 1	— OBSOLETED —	
X04	2 X 2	2	4
X06	2 X 3	4	6
X08	2 X 4	6	8
X10	2 X 5	8	10
X12	2 X 6	10	12
X14	2 X 7	12	14
X16	2 X 8	14	16
X18	2 X 9	16	18
X20	2 X 10	18	20
X22	2 X 11	20	22
X24	2 X 12	22	24
X26	2 X 13	24	26
X28	2 X 14	26	28
X30	2 X 15	28	30
X32	2 X 16	30	32
X34	2 X 17	32	34
X36	2 X 18	34	36
X38	2 X 19	36	38
X40	2 X 20	38	40
X42	2 X 21	40	42
X44	2 X 22	42	44
X46	2 X 23	44	46
X48	2 X 24	46	48
X50	2 X 25	48	50

PRODUCT DESCRIPTION CODE :



PLATING	DESCRIPTION
0	0.2µm Au
1	0.76µm Au
2	UNASSIGNED
3	0.38µm Au
4	UNASSIGNED
5	0.38µm GXT
6	0.76µm GXT

NOTES:

- MATERIAL:  
BODY : GLASS FILLED NYLON UL 94V-0 BLACK  
PIN : PHOSPHOR BRONZE
- TOLERANCE UNLESS OTHERWISE NOTED ±0.25
- DIM 1.0 APPLIES TO MOLDED SIDE(S) ONLY. IF SIDE(S) ARE SAW, DIM 0.5 MIN APPLIES.
- RECESS APPLIES TO MOLDED SIDE(S) ONLY.
- P/N:86453-XXXLF IS SAME AS P/N:86453-XXX. THE SUFFIX 'LF' IS ADDED JUST FOR EASY LEAD FREE IDENTIFICATION
- THE HOUSING WILL WITHSTAND EXPOSURE TO 260°C PEAK TEMPERATURE FOR 10 SECONDS IN A WAVE SOLDER APPLICATION WITH A 1.57MM MINIMUM THICK CIRCUIT BOARD.
- THIS PRODUCT MEETS EUROPEAN UNION DIRECTIVES AND OTHER COUNTRY REGULATIONS AS DESCRIBED IN GS-22-008.
- A SYMBOL WILL BE NEXT TO ANY DIMENSION, VIEW OR NOTE WHICH HAS BEEN MODIFIED WITH THE CURRENT DRAWING REVISION.



Copyright FCI.

**CONFIDENTIAL**

www.fciconnect.com		surface <input checked="" type="checkbox"/> ISO 1302	tolerance std ISO 406 ISO 1101	projection	MM
TOLERANCES UNLESS OTHERWISE SPECIFIED					
Dr	ML CHWA	1990-11-13	ANGULAR	x.x	±
Eng	BS LOW	1990-11-13	LINEAR	x.xx	±0.25
Chr	KH LEE	2010-02-01	0° ±3°	x.xxx	±
Appr	JOEY NG	2010-02-01	Product family	MINITEK	Spec ref -
			MINITEK II HEADER		Rev. H
			(2 ROWS R/A)		
catalog no			-		
			CUSTOMER		sheet 2 of 2

## X-ON Electronics

Largest Supplier of Electrical and Electronic Components

*Click to view similar products for [Headers & Wire Housings](#) category:*

*Click to view products by [FCT Electronics](#) manufacturer:*

Other Similar products are found below :

[95000-104TRLF](#) [10135584-644402LF](#) [DF62W-EP2022PCA](#) [95000-106TRLF](#) [DF62W-2022SCA](#) [DF62W-EP2022PC](#) [2203348](#) [DF62W-2022SC](#) [1084018](#) [1029039](#) [1084017](#) [802-10-012-10-002000](#) [1112640](#) [1112639](#) [891-007-9SS-BST1T](#) [000-34000](#) [0008550134](#) [0009482033](#) [0009507031](#) [57102-F02-18ULF](#) [57102-S06-03LF](#) [57202-S52-04LF](#) [PCN6-15S-2.5E](#) [0039019024](#) [58102-G61-06LF](#) [582553-1](#) [0009485154](#) [0009508121](#) [009176003701906](#) [0022285053](#) [0050291907](#) [018731A](#) [LY20-4P-DT1-P1E-BR](#) [02.125.8002.8](#) [60101931](#) [60598-1 \(Cut Strip\)](#) [M1625-3R/100](#) [61062-3](#) [61082-181009](#) [CSU011177004](#) [636-1427](#) [638009-1](#) [641938-9](#) [641991-4](#) [644168-1](#) [644827-2](#) [647662-1](#) [65039-019ELF](#) [65692-001LF](#) [65781-018](#)