

667-117 Composite Receptacle Cover for MIL-DTL-38999 Series III Connectors with Anti-Decoupling Device

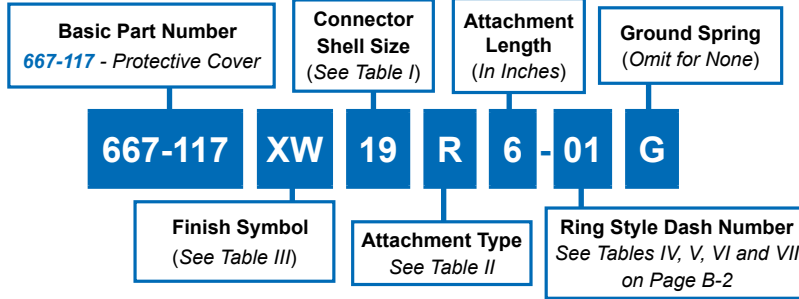


TABLE III	
Symbol	Finish Description
XB	No Plating - Black Color (Non-Conductive Finish)
XM	2000 Hour Corrosion Resistant Electroless Nickel
XMT	2000 Hour Corrosion Resistant Ni-PTFE, Nickel-Fluorocarbon Polymer. <i>1000 Hour Grey™</i>
XO	No Plating - Brown Color (Non-Conductive Finish)
XW	2000 Hour Corrosion Resistant Cadmium/Olive Drab over Electroless Nickel

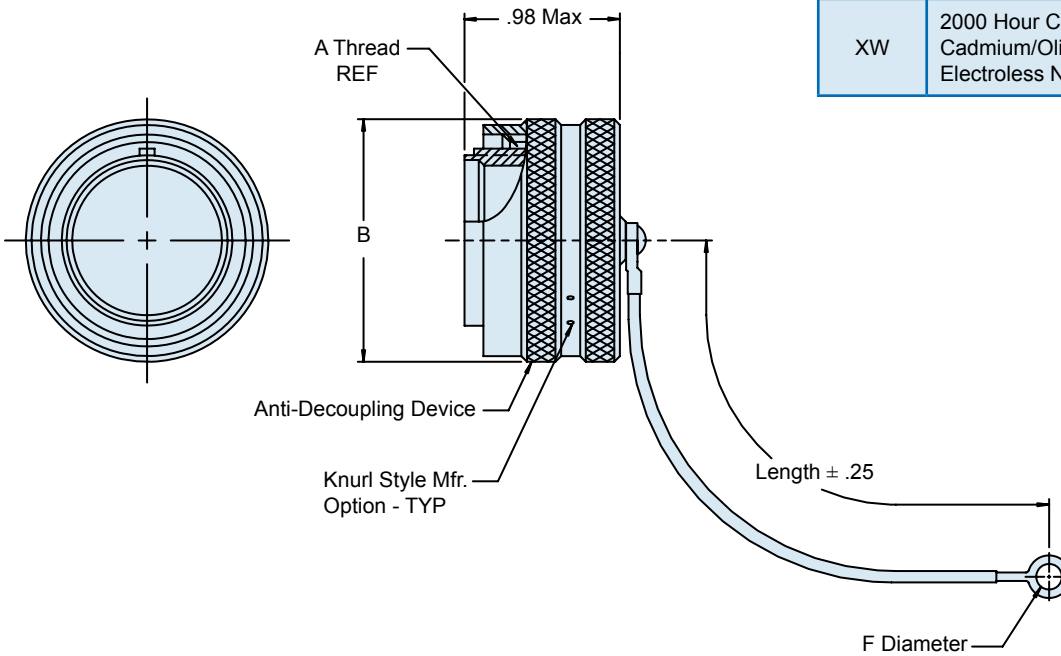


TABLE I: CONNECTOR SHELL SIZE		
Shell Size	A Thread	B Max
09	.6250-0.1P-0.3L-TS	.858
11	.7500-0.1P-0.3L-TS	.984
13	.8750-0.1P-0.3L-TS	1.157
15	1.0000-0.1P-0.3L-TS	1.279
17	1.1875-0.1P-0.3L-TS	1.405
19	1.2500-0.1P-0.3L-TS	1.515
21	1.3750-0.1P-0.3L-TS	1.641
23	1.5000-0.1P-0.3L-TS	1.767
25	1.6250-0.1P-0.3L-TS	1.889

TABLE II: ATTACHMENT	
Symbol	Attachment
F	Wire Rope, Nylon Jacket w/ Terminal
G	.094 Diameter Nylon Cord (black) w/ Loop Ends
H	Wire Rope, Teflon Jacket w/ Terminal
N	Attachment Omitted
R	Wire Rope, PVC Jacket w/ Terminal
T	Wire Rope, NO Jacket, w/ Terminal
K	Nylon Rope

Metric dimensions (mm) are in parentheses and are for reference only.

X-ON Electronics

Largest Supplier of Electrical and Electronic Components

Click to view similar products for [Circular MIL Spec Tools, Hardware & Accessories](#) *category:*

Click to view products by [Glenair](#) *manufacturer:*

Other Similar products are found below :

[809-199-3](#) [001104](#) [300 04](#) [600-006-16](#) [600-079-06](#) [M10-101982-143](#) [M10-101982-163](#) [M10-101983-183](#) [M10-150912-083](#) [M10-454396-008](#) [602GB18808](#) [M225201-06](#) [M24758-20E21](#) [M2887610-BC](#) [M2887615-CD](#) [M38999/9-19B](#) [62GB-812-10](#) [630A007NF083A](#) [630B007M051A](#) [630BJ003NF032H](#) [637-149NF04B](#) [M39029/29-215](#) [650FS002NF16](#) [M81969-14-02](#) [660-008NF14S7-01](#) [660-009M22H8-03](#) [660-013NF19U6-210](#) [660-015M10S6-17](#) [660-015NF10S5-01](#) [660-015NF14R3.5-01](#) [660-023NF19H6-19](#) [660-024N09S5-104](#) [660-024NF11S12-01](#) [660-024NF11S3-01](#) [660-050XM17F4-01](#) [660-068NF25R6-30G](#) [660-070M23S8-04](#) [660-073MTCH9-20](#) [M83723/60-116RC](#) [M83723/61-18W](#) [M83723/61-218R](#) [M83723/61-224W](#) [667-224NF16](#) [M85049/118S22A](#) [M85049/126S11N](#) [M85049130-07M](#) [M85049140-09BC](#) [M85049/41-16A W/B](#) [687-697NF-1](#) [M85049/75-14-1](#) [M8504980-8](#)