

| PANDUIT PART NUMBER | | STUD SIZE | DIMENSIONS in. | | | | |
|---------------------|----------|-----------|----------------|---------------|---------------|----------------|---------------|
| | | | A ±.03 | W ±.01 | C ±.02 | M ±.03 | H ±.01 |
| PV14-4R | -C -M | #4 | .84 (21.3) | .25 (6.4) | .19 (4.8) | .71 (18.0) | .12 (3.1) |
| PV14-6RN | -C -M | #6 | .84 (21.3) | .25 (6.4) | .19 (4.8) | .71 (18.0) | .15 (3.8) |
| PV14-6R | -C -M | #6 | .92 (23.4) | .31 (7.9) | .25 (6.4) | .76 (19.3) | .15 (3.8) |
| PV14-8R | -C -M | #8 | .92 (23.4) | .31 (7.9) | .25 (6.4) | .76 (19.3) | .17 (4.3) |
| PV14-10R | -C -M | #10 | .92 (23.4) | .31 (7.9) | .25 (6.4) | .76 (19.3) | .20 (5.1) |
| PV14-14R | -C -M | 1/4" | 1.12 (28.5) | .46 (11.7) | .38 (9.7) | .89 (22.6) | .27 (6.9) |
| PV14-56R | -C -M | 5/16" | 1.12 (28.5) | .46 (11.7) | .38 (9.7) | .89 (22.6) | .34 (8.6) |
| PV14-38R | -L -M | 3/8" | 1.21 (30.7) | .53 (13.5) | .43 (10.9) | .94 (23.9) | .40 (10.2) |
| PV14-12R | -L | 1/2" | 1.42 (36.1) | .72 (18.3) | .53 (13.5) | 1.06 (26.9) | .52 (13.2) |

NOTES:

- UL LISTED & CSA CERTIFIED FOR
 - 600 V. MAX. VOLTAGE RATING (1000 V. MAX. IN SIGNS, FIXTURES AND LUMINAIRES.)
 - 18-14 AWG SOLID OR STRANDED COPPER WIRE & 221°F (105°C) MAX TEMP RATING, WITH THE CT-500 & CT-550, CT-1551, CT-1550 INSTALLATION TOOLS.
 - 16-14 AWG SOLID OR STRANDED COPPER WIRE & 167°F (75°C) MAX TEMP RATING WITH THE CT-100 INSTALLATION TOOLS.

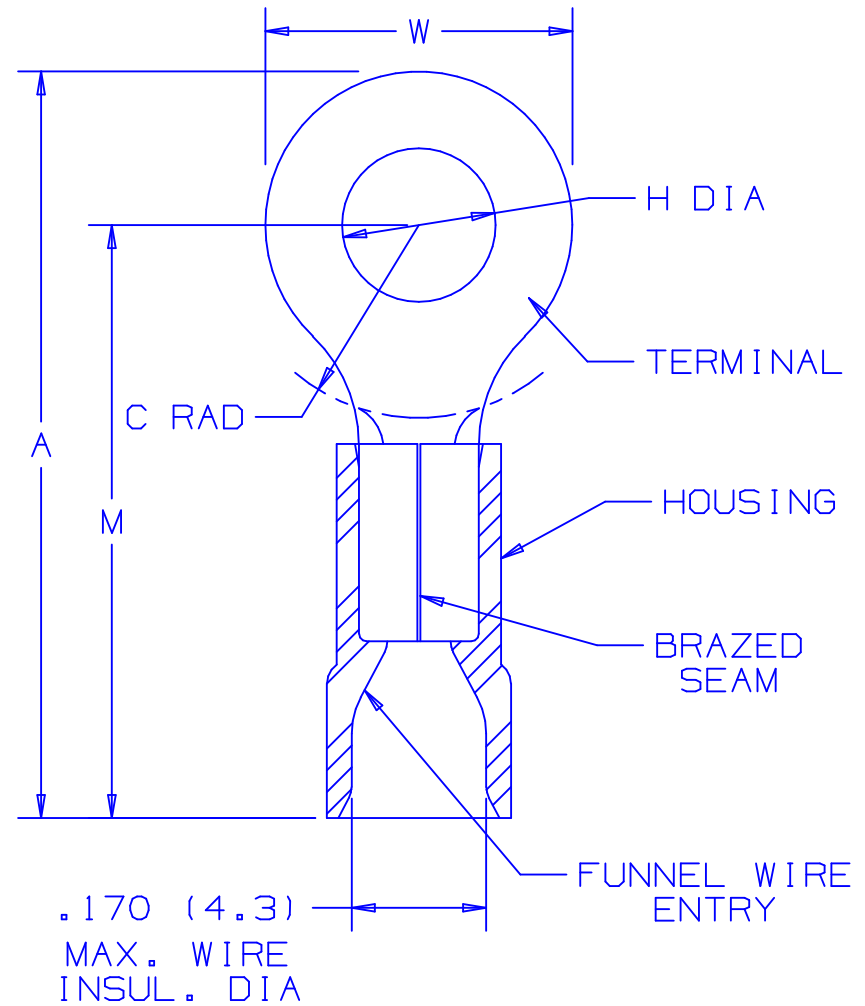
2. MATERIAL:

- STAMPING - .032 (.8) THK COPPER, TIN PLATED
- HOUSING - VINYL, BLUE

3. STRIP LENGTH 5/16 +1/32 -.

4. PACKAGE QTY.: -L=50
 STD PKG-C=100
 BULK PKG-M=1000

5. DIMENSIONS IN BRACKETS ARE IN MILLIMETERS



CERTIFIED
LR31212



LISTED
587H
E52164

A41184_05

| REV | DATE | BY | CHK | DESCRIPTION | ECN # | CUST | PM |
|-----|-------|-----|-----|----------------------------------------------|-------|------|-----|
| 05 | 12/02 | SAC | | FOR PV14-12R DIM A WAS 1.41 & DIM M WAS 1.05 | | | |
| 04 | 5/02 | SRB | SKB | CHANGED (DIMS.) TO 1 PLACE DECIMAL | 10231 | LA | TRO |
| 03 | 4/02 | SRB | SKB | ADDED PV14-12R | 10171 | LA | TRO |

PANDUIT CORP.

TINLEY PARK, ILLINOIS

2PC. VINYL INSULATED,
#16-14 BARREL, RINGS

| | | | |
|-----------------|-------|---------------|-----------------------|
| DRAWN BY FES | CHK'D | SCALE NONE | DRAWING NO. A41184 |
|-----------------|-------|---------------|-----------------------|

X-ON Electronics

Largest Supplier of Electrical and Electronic Components

Click to view similar products for [Terminals](#) category:

Click to view products by [Panduit](#) manufacturer:

Other Similar products are found below :

[HT-13-10](#) [71M-250-32-NB](#) [01-2065-1-0216](#) [00581P0075](#) [M10-10RX](#) [M10BCK](#) [60205-1](#) [604200-1](#) [60598-1-CUT-TAPE](#) [60617-1-C](#) [60873-1](#) [M14-516R/SK](#) [M14-6RSX](#) [M18-10FLX](#) [M18-8FBX](#) [M18-8R/LX](#) [M18BCK](#) [61314-6-C](#) [61-S](#) [61-SN-A](#) [62-NBM-A](#) [63-S](#) [640179-1](#) [640917-2-CUT-TAPE](#) [6501550002](#) [66107-2-C](#) [66107-4-C](#) [696683-1](#) [696834-1](#) [696861-1](#) [696931-1](#) [696999-1](#) [M8-516RK](#) [M86700006](#) [MA250DMFMX-A](#) [701-2007](#) [701-2307](#) [701-7761-03](#) [70F-110-32-PB](#) [718-N-A](#) [71M-187-20-NBL](#) [71M-250-32-NBL](#) [72F-187-20-NBL](#) [72M-250-32-NBL](#) [7310](#) [73F-250-32](#) [73F-250-32-NBL](#) [73F-250-32-NL](#) [F14-10C](#) [F-1M](#)