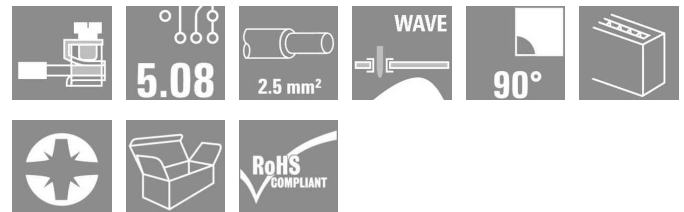


**PM**  
**PM 5.08/08/90 3.5SN OR BX**

**Weidmüller Interface GmbH & Co. KG**  
Klingenbergstraße 16  
D-32758 Detmold  
Germany  
Fon: +49 5231 14-0  
Fax: +49 5231 14-292083  
www.weidmueller.com



PCB terminal with leaf spring connection at 5.00 and 5.08 mm pitch. Conductor outlet direction 90°. Suitable for conductor cross-sections up to 2.5 mm<sup>2</sup>.

- 0.13 - 2.5 mm<sup>2</sup> (IEC) / 26 - 14 AWG (UL)
- 600 V (IEC) / 300 V (UL)
- 24 A (IEC) / 15 A (UL)

#### General ordering data

|              |  |
|--------------|--|
| Type         | PM 5.08/08/90 3.5SN OR BX  |
| Order No.    | <a href="#">1234600000</a>   |
| Version      | PCB terminal, 5.08 mm, No. of poles: 8, 90°, Solder pin length (l): 3.5 mm, tinned, Orange, Pressure clamp connection, Clamping range, rated connection, max.: 2.5 mm <sup>2</sup> , Box |
| GTIN (EAN)   | 4050118019049  |
| Qty.         | 100 pc(s).   |
| Product data | IEC: 600 V / 24 A / 0.13 - 2.5 mm <sup>2</sup><br>UL: 300 V / 15 A / AWG 26 - AWG 14   |
| Packaging    | Box  |

**PM**  
**PM 5.08/08/90 3.5SN OR BX**

**Weidmüller Interface GmbH & Co. KG**  
 Klingenbergstraße 16  
 D-32758 Detmold  
 Germany  
 Fon: +49 5231 14-0  
 Fax: +49 5231 14-292083  
 www.weidmueller.com

**Technical data****Dimensions and weights**

|            |        |
|------------|--------|
| Net weight | 8.14 g |
|------------|--------|

**System characteristics**

|  |                   |  |                           |
|--|-------------------|--|---------------------------|
| Product family                             | PM                | Wire connection method                       | Pressure clamp connection |
| Mounting onto the PCB                      | Solder connection | Conductor outlet direction                   | 90°                       |
| Pitch in mm (P)                            | 5.08 mm           | Pitch in inches (P)                          | 0.2 inch                  |
| No. of poles                               | 8                 | Fitted by customer                           | Yes                       |
| Max. adjacent poles per row                | 24                | Solder pin length (l)                        | 3.5 mm                    |
| Solder pin dimensions                      | d = 1.0 mm        | Solder eyelet hole diameter (D)              | 1.3 mm                    |
| Solder eyelet hole diameter tolerance (D)+ | 0,1 mm            | Number of solder pins per pole               | 1                         |
| Screwdriver blade                          | 0.6 x 3.5         | Screwdriver blade standard                   | DIN 5264                  |
| Tightening torque, min.                    | 0.4 Nm            | Tightening torque, max.                      | 0.5 Nm                    |
| Clamping screw                             | M 2.5             | Stripping length                             | 6 mm                      |
| L1 in mm                                   | 35.56 mm          | L1 in inches                                 | 1.4 inch                  |
| Touch-safe protection acc. to DIN VDE 0470 | IP 20             | Touch-safe protection acc. to DIN VDE 57 106 | Safe from finger touch    |


**Material data**

|                                       |                      |                                       |        |
|---------------------------------------|----------------------|---------------------------------------|--------|
| Insulating material                   | Wemid (PA)           | Colour                                | Orange |
| UL 94 flammability rating             | V-0                  | CTI                                   | ≥ 600  |
| Coating                               | 1-3 µm Ni, 4-6 µm SN | Contact material                      | Cu-Leg |
| Contact surface                       | tinned               | Operating temperature, min.           | -50 °C |
| Operating temperature, max.           | 120 °C               | Temperature range, installation, min. | -25 °C |
| Temperature range, installation, max. | 120 °C               |                                       |        |

**Connectable conductors**

|   |                      |   |                     |
|---|----------------------|---|---------------------|
| Clamping range, rated connection, min.          | 0.13 mm <sup>2</sup> | Clamping range, rated connection, max.          | 2.5 mm <sup>2</sup> |
| Wire connection cross section AWG, min.         | AWG 26               | Wire connection cross section AWG, max.         | AWG 14              |
| Solid, min. H05(07) V-U                         | 0.13 mm <sup>2</sup> | Solid, max. H05(07) V-U                         | 2.5 mm <sup>2</sup> |
| Flexible, min. H05(07) V-K                      | 0.13 mm <sup>2</sup> | Flexible, max. H05(07) V-K                      | 2.5 mm <sup>2</sup> |
| w. wire end ferrule, DIN 46228 pt 1, min.       | 0.25 mm <sup>2</sup> | w. wire end ferrule, DIN 46228 pt 1, max.       | 1.5 mm <sup>2</sup> |
| w. plastic collar ferrule, DIN 46228 pt 4, min. | 0.25 mm <sup>2</sup> | w. plastic collar ferrule, DIN 46228 pt 4, max. | 1.5 mm <sup>2</sup> |

**CSA rating data**

|                               |   |                               |                |
|-------------------------------|---|-------------------------------|----------------|
| Institute (CSA)               |  | Certificate No. (CSA)         | 200039-1815154 |
| Rated voltage (Use group B)   | 300 V   | Rated current (use group B)   | 15 A           |
| Rated voltage (use group D)   | 300 V   | Rated current (use group D)   | 10 A           |
| Wire cross-section, AWG, min. | AWG 26  | Wire cross-section, AWG, max. | AWG 14         |

**UL 1059 rating data**

|                               |        |                               |        |
|-------------------------------|--------|-------------------------------|--------|
| Rated voltage (use group B)   | 300 V  | Rated current (use group B)   | 15 A   |
| Rated voltage (use group D)   | 300 V  | Rated current (use group D)   | 10 A   |
| Wire cross-section, AWG, min. | AWG 26 | Wire cross-section, AWG, max. | AWG 14 |

Creation date January 27, 2015 10:31:34 AM CET

**Data sheet**

**PM**  
**PM 5.08/08/90 3.5SN OR BX**

**Weidmüller Interface GmbH & Co. KG**  
 Klingenbergstraße 16  
 D-32758 Detmold  
 Germany  
 Fon: +49 5231 14-0  
 Fax: +49 5231 14-292083  
 www.weidmueller.com

**Technical data**

**Rating data acc. to IEC 60664-1 / IEC 61984**

|   |                   |   |       |
|---|-------------------|---|-------|
| Rated current, min. no. of poles (Tu=20°C)                            | 24 A              | Rated current, max. no. of poles (Tu=20°C)                                | 24 A  |
| Rated current, number of poles (Tu=40°C), min                         | 24 A              | Rated current, number of poles (Tu=40°C), max.                            | 24 A  |
| Rated voltage for surge voltage class / pollution degree II/2         | 600 V             | Rated voltage for surge voltage class / pollution degree III/2            | 250 V |
| Rated voltage for surge voltage class / pollution degree III/3        | 250 V             | Rated impulse voltage for surge voltage class/ pollution degree II/2      | 4 kV  |
| Rated impulse voltage for surge voltage class/ pollution degree III/2 | 4 kV              | Rated impulse voltage for surge voltage class/ contamination degree III/3 | 4 kV  |
| Short-time withstand current resistance                               | 3 x 1s with 120 A |   |       |

**Classifications**

|            |             |            |             |
|------------|-------------|------------|-------------|
| ETIM 3.0   | EC001284    | ETIM 4.0   | EC002643    |
| ETIM 5.0   | EC002643    | ETIM 6.0   | EC002643    |
| eClass 6.2 | 27-26-11-01 | eClass 7.1 | 27-44-04-01 |

**Notes**

- Notes
- Rated current related to rated cross-section & min. No. of poles.
  - Wire end ferrule without plastic collar to DIN 46228/1
  - Wire end ferrule with plastic collar to DIN 46228/4
  - The data given under CSA relates to a cUL approval - E60693
  - P on drawing = pitch
  - Rated data refer only to the component itself. Clearance and creepage distances to other components are to be designed in accordance with the relevant application standards.

IPC conformity The products are developed, manufactured and delivered according to the internationally recognised IPC-A-610 standard, category "permissible". More extensive demands on the products can be evaluated on request.

**Approvals**

Approvals



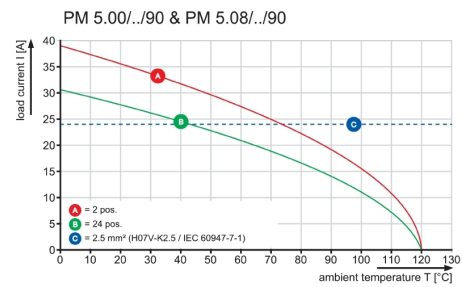
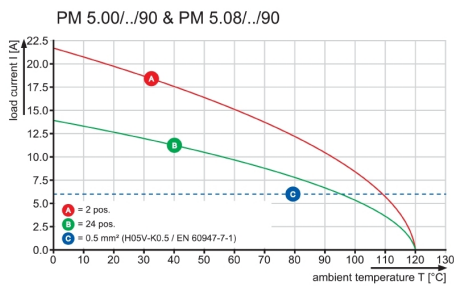
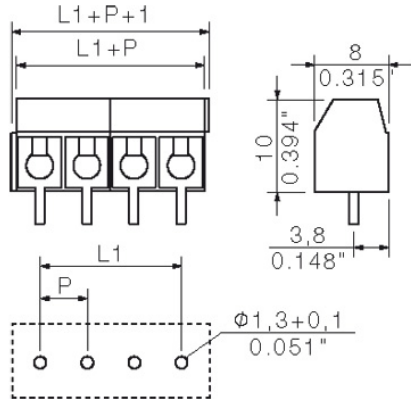
ROHS Conform

**Data sheet**

**PM**  
**PM 5.08/08/90 3.5SN OR BX**

**Weidmüller Interface GmbH & Co. KG**  
 Klingenbergstraße 16  
 D-32758 Detmold  
 Germany  
 Fon: +49 5231 14-0  
 Fax: +49 5231 14-292083  
 www.weidmueller.com

**Drawings**



## X-ON Electronics

Largest Supplier of Electrical and Electronic Components

*Click to view similar products for [weidmuller](#) manufacturer:*

Other Similar products are found below :

[8924550000](#) [56956](#) [0133660000](#) [6720000227](#) [6720005111](#) [68676](#) [69718](#) [EXO24CH](#) [7760056106](#) [7940000218](#) [8005181001](#) [8008180000](#)  
[8432240000](#) [8463580000](#) [8545830000](#) [8689870000](#) [8705640000](#) [9001080000](#) [9003720000](#) [9004250000](#) [9004780000](#) [9013260000](#)  
[9014100000](#) [9019040000](#) [9026010000](#) [9028630000](#) [903708](#) [9037350000](#) [9046290000](#) [9129643500](#) [913155](#) [9159530000](#) [919656](#) [919764](#)  
[9202230000](#) [9202850000](#) [9456750000](#) [9457913000](#) [980811](#) [980826](#) [9912800003](#) [9916080000](#) [9916280012](#) [9918380000](#) [9919371205](#)  
[9919371224](#) [9925710000](#) [9927480024](#) [1166660000](#) [11751](#)