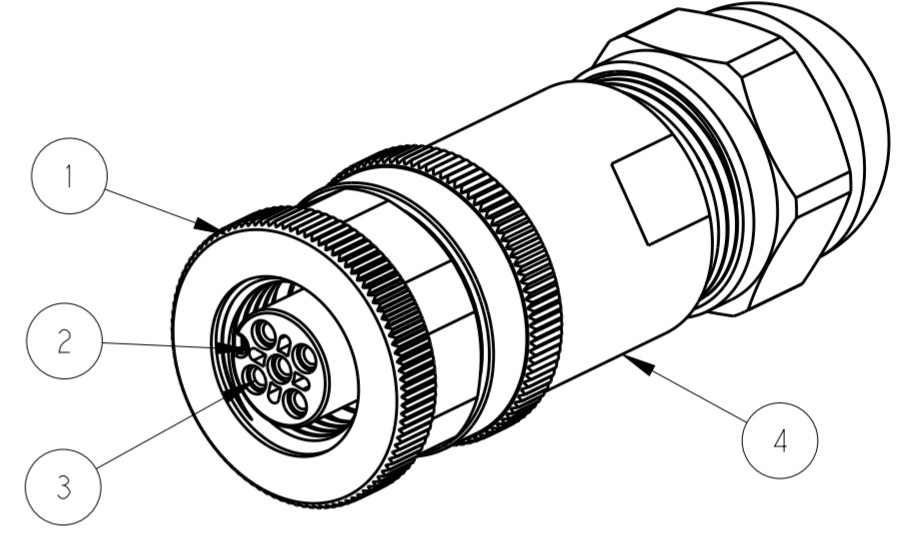
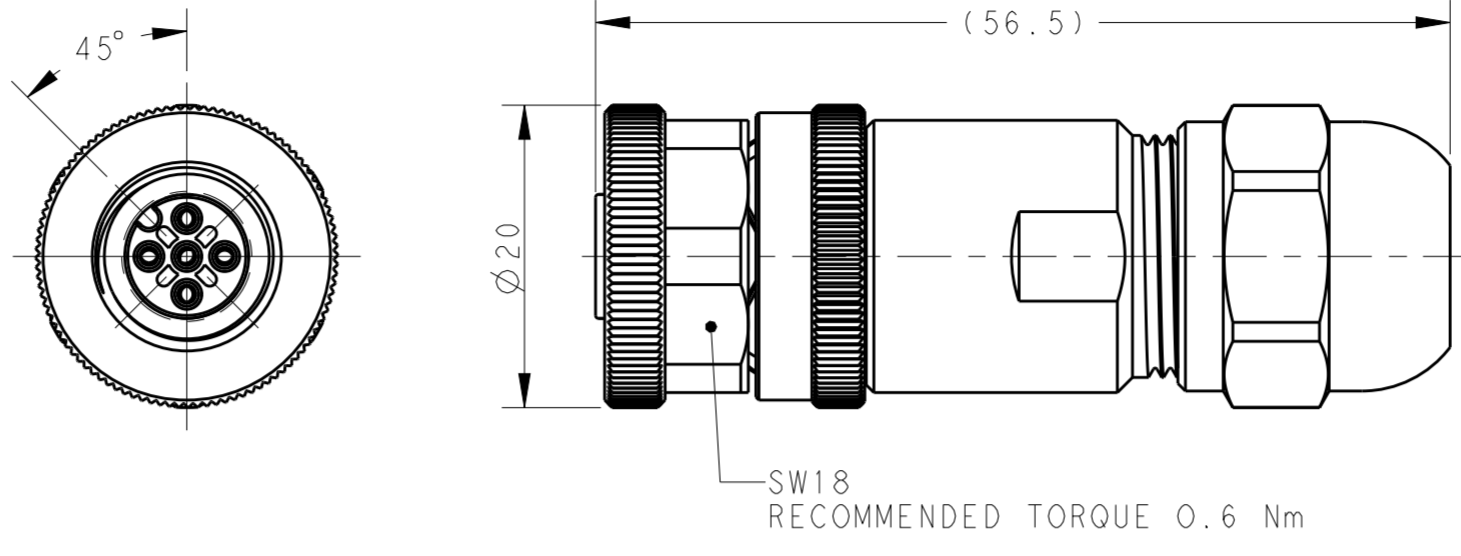


THIS DRAWING IS UNPUBLISHED. RELEASED FOR PUBLICATION 20  
 © COPYRIGHT 20 BY - ALL RIGHTS RESERVED.

REVISIONS				
P	LTR	DESCRIPTION	DATE	APVD
A		INITIAL RELEASE	25SEP2015	N.P X.X
A1		ECR-16-013861	19OCT2016	N.P X.X
A2		ECR-16-016026	14NOV2016	N.P X.X



TECHNICAL DATA	T411001X02X-000	T411001X03X-000	T411001X04X-000	T411001X05X-000	T411001208X-000
RATED VOLTAGE	250V	250V	250V	60V	30V
RATED CURRENT	4A	4A	4A	4A	2A
POLLUTION DEGREE	3	3	3	3	3
OVERVOLTAGE CATEGORY	II	II	II	II	II
MATERIAL GROUP	II	II	II	II	II
CONTACT RESISTANCE	≤8mΩ	≤8mΩ	≤8mΩ	≤8mΩ	≤8mΩ
INSULATION RESISTANCE	>100MΩ	>100MΩ	>100MΩ	>100MΩ	>100MΩ
DEGREE OF PROTECTION	IP67	IP67	IP67	IP67	IP67
OPERATION TEMPERATURE	-40~85°C	-40~85°C	-40~85°C	-40~85°C	-40~85°C

NOTE:  
 1. MATERIAL:  
 ITEM NO.1:NUT -BRASS  
 ITEM NO.2:HOUSING -PA  
 ITEM NO.3:CONTACT -BRONZE  
 ITEM NO.4: HOUSING BODY: BRASS  
 2. CONTACT FINISH:  
 GOLD OVER NICKEL OR SILVER OVER NICKEL  
 3. CABLE WIRES:  
 18AWG/0.75mm<sup>2</sup> Max. FOR 2-5 PINS  
 20AWG/0.50mm<sup>2</sup> Max. FOR 8 PINS  
 4. ALLDIMENSIONS ARE FOR NOMINAL REFERENCE ONLY UNLESS OTHERWISE STATED  
 5. PACKAGEING: IPIECE IN A BAG  
 6. PN INFORMATION

PIN ARRANGEMENT A-CODE		
T411001X02X-000	T411001X03X-000	T411001X04X-000

T4110012081-000	RPC-M12-FS-8CON-PG9-SHU
T4110011081-000	RPC-M12-FS-8CON-PG7-SHU
T4110012082-000	RPC-M12-FS-8CON-PG9-SH
T4110011082-000	RPC-M12-FS-8CON-PG7-SH
T4110012051-000	RPC-M12-FS-5CON-PG9-SHU
T4110011051-000	RPC-M12-FS-5CON-PG7-SHU
T4110012052-000	RPC-M12-FS-5CON-PG9-SH
T4110011052-000	RPC-M12-FS-5CON-PG7-SH
T4110012041-000	RPC-M12-FS-4CON-PG9-SHU
T4110011041-000	RPC-M12-FS-4CON-PG7-SHU
T4110012042-000	RPC-M12-FS-4CON-PG9-SH
T4110011042-000	RPC-M12-FS-4CON-PG7-SH
T4110012031-000	RPC-M12-FS-3CON-PG9-SHU
T4110011031-000	RPC-M12-FS-3CON-PG7-SHU
T4110012032-000	RPC-M12-FS-3CON-PG9-SH
T4110011032-000	RPC-M12-FS-3CON-PG7-SH
T4110012021-000	RPC-M12-FS-2CON-PG9-SHU
T4110011021-000	RPC-M12-FS-2CON-PG7-SHU
T4110012022-000	RPC-M12-FS-2CON-PG9-SH
T4110011022-000	RPC-M12-FS-2CON-PG7-SH
TE PN	TYPE

T411001XXXX-000

CONTACT FINISH:  
 1: GOLD OVER NICKEL  
 2: SILVER OVER NICKEL

NUMBERS OF PINS:  
 02: 2 PINS  
 03: 3PINS  
 04: 4 PINS  
 05: 5PINS  
 08: 8 PINS

CABLE OUTLET:  
 1: PG7(CABLE FEED: 4-6mm)  
 2: PG9(CABLE FEED: 6-8mm)

THIS DRAWING IS A CONTROLLED DOCUMENT.		DWN Nick Pan 24AUG2015	TE Connectivity	
		CHK Kobby Zhao 24AUG2015		
DIMENSIONS: mm		APVD Xiang Xu 24AUG2015	NAME M12 FEMALE, A CODE, STRAIGHT SHIELDED CONNECTOR SCREW TERMINAL	
TOLERANCES UNLESS OTHERWISE SPECIFIED: 0 PLC ± 1 PLC ±0.25 2 PLC ±0.15 3 PLC ± 4 PLC ± ANGLES ± FINISH -		PRODUCT SPEC 108-106140	SIZE A2	CAGE CODE -
MATERIAL TBD		APPLICATION SPEC 114-137144	DRAWING NO. C-T411001XXXX000	RESTRICTED TO -
		WEIGHT -	SCALE 1:1	SHEET 1 OF 1
		CUSTOMER DRAWING	REV A2	

## X-ON Electronics

Largest Supplier of Electrical and Electronic Components

*Click to view similar products for [Circular Metric Connectors](#) category:*

*Click to view products by [TE Connectivity](#) manufacturer:*

Other Similar products are found below :

[1424048](#) [1021212](#) [600X518037X](#) [6STD09SAM99B70X](#) [6STD15PCR99B70A](#) [8R4000A16M020](#) [1200910002](#) [1201150041](#) [1203580030](#)  
[1200700064](#) [1200700263](#) [1200700416](#) [1200730102](#) [1200770002](#) [1-2823588-2](#) [130203-0054](#) [1300140026](#) [1300150099](#) [1-3637-600-5205](#)  
[1545399](#) [1594331](#) [1600413](#) [1612606](#) [1612618](#) [1614660](#) [1A4000-348](#) [CA06EW24-10P-B-03](#) [21036836414](#) [2823064-1](#) [1610759](#) [A1642LK-](#)  
[II-T](#) [1R3006A20M005](#) [41-01016](#) [41-40011](#) [41-40017](#) [42-00006](#) [42-01015](#) [4-22279-4](#) [4-22281-1](#) [4-22284-9](#) [43-00002](#) [43-00113](#) [43-00130](#)  
[43-01028](#) [43-01034](#) [43-01088](#) [43-01090](#) [43-01203](#) [43-01209](#) [43-01335](#)