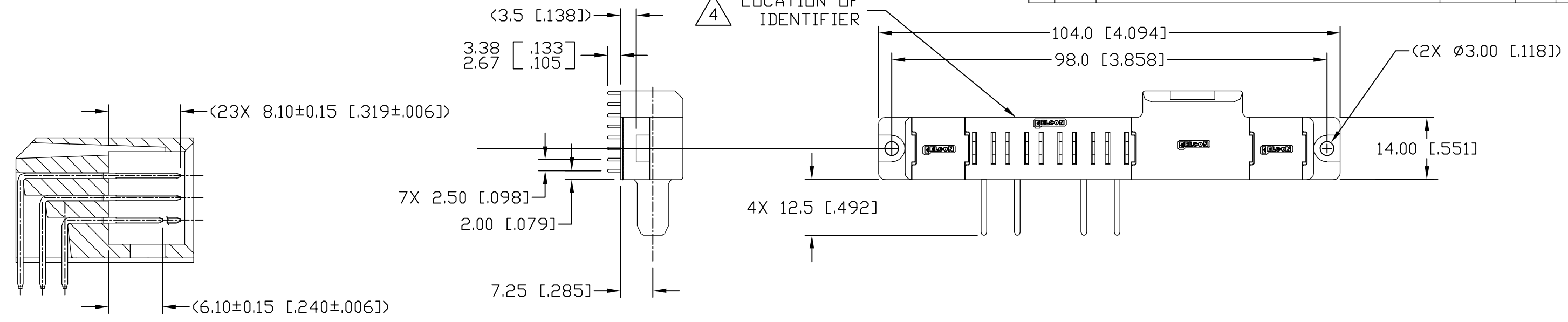
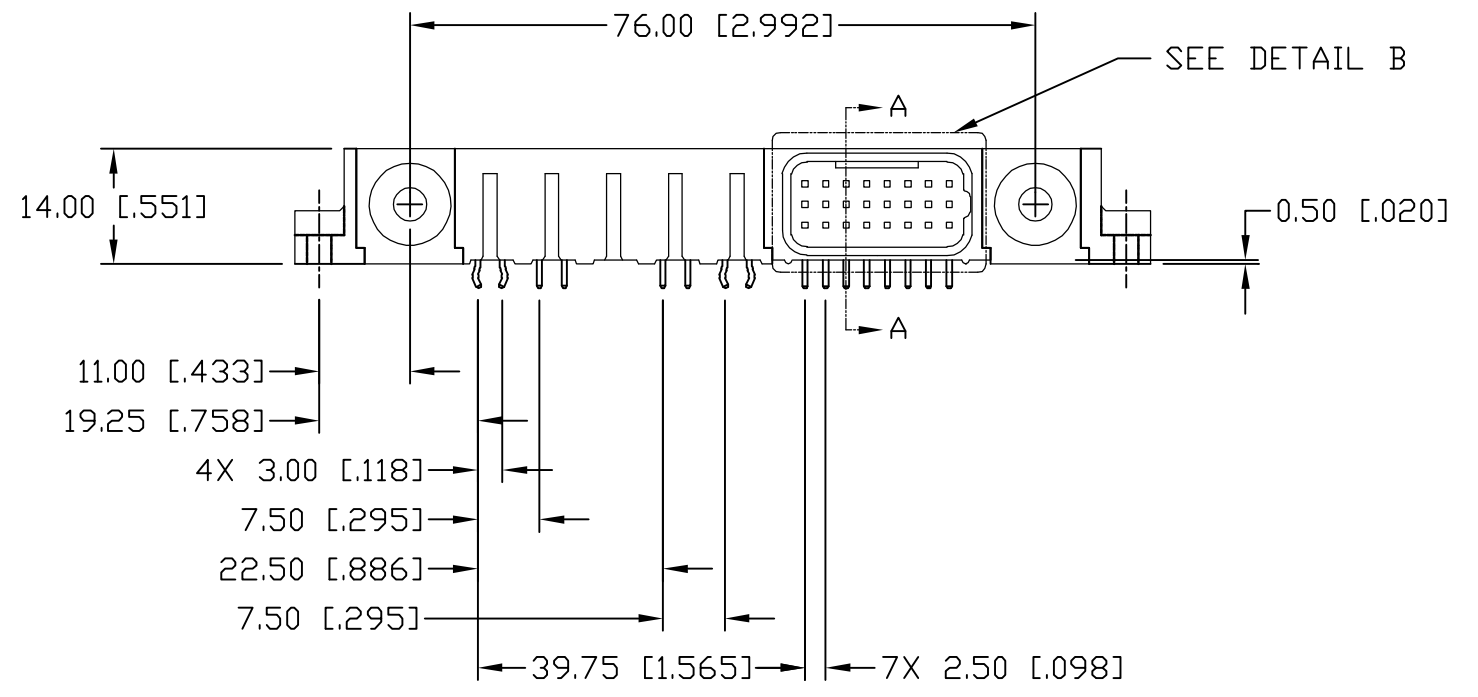


THIS DRAWING IS UNPUBLISHED. RELEASED FOR PUBLICATION
 © COPYRIGHT BY TYCO ELECTRONICS CORPORATION. ALL RIGHTS RESERVED.

LOC	DIST	REVISIONS					
GP	00	P	LTR	DESCRIPTION	DATE	DWN	APVD
			C	REV PER ECO-06-024358	25OCT06	RG	SF



SECTION A-A
 SCALE: 2:1



NOTES: UNLESS OTHERWISE SPECIFIED.

- PART NUMBER CHANGES AND OR DESIGN CHANGES AFFECTING ITEM INTERCHANGEABILITY REQUIRE PRIOR TYCO APPROVAL AND AUTHORIZATION BY REVISION TO THIS DRAWING.
- MATERIALS:
 INSULATORS: THERMOPLASTIC, GLASS REINFORCED, COLOR BLACK. UL94V-0 FLAMMABILITY RATED.
 SOLDER SIGNAL PIN: BRASS ALLOY.
 POWER CONTACTS: PHOSPHOR-BRONZE ALLOY. COPPER ALLOY.
 CROWN BANDS: BERYLLIUM-COPPER ALLOY.
- FINISHES:
 CONTACTS: GOLD PLATED .00076 [.000030] MIN THICK OVER NICKEL .00130 [.000050] MIN THICK.
 SOLDER TAILS: TIN PLATED MATT FINISH MIN. .0030 [.000120] THICKNESS.

△ ITEMS PROVIDED TO THIS SPECIFICATION TO BE PERMANENTLY IDENTIFIED PER THE FOLLOWING IDENTIFIER:
 YEAR WEEK



△ NON STANDARD 24 SIGNAL PIN CONTACT.

AS SHOWN	6651330-2
DESCRIPTION	PART NUMBER

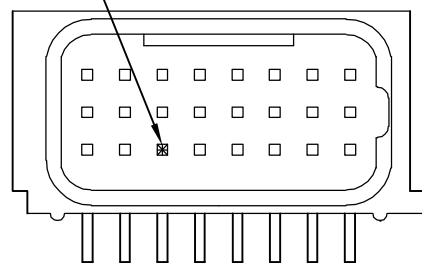
THIS DRAWING IS A CONTROLLED DOCUMENT.		DWN	06/20/05	Tyco Electronics Corporation	
		CHK	HA NGUYEN	Harrisburg, PA 17105-3608	
		APVD	M.ALIM	NAME	
		PRODUCT SPEC	D.CHAU	PIN CONNECTOR, RT ANGLE, SLDR SHORT TAIL	
		APPLICATION SPEC		1 PIECE BLADE, FLATPAQ	
		WEIGHT		SIZE	RESTRICTED TO
MATERIAL		FINISH		A3	
SEE LIST OF MATERIALS				CAGE CODE	
				DRAWING NO	
				C=6651330	
				SCALE	
				1:1	
				SHEET	
				1 OF 3	
				REV	
				C	

ELCON FLATPAQ

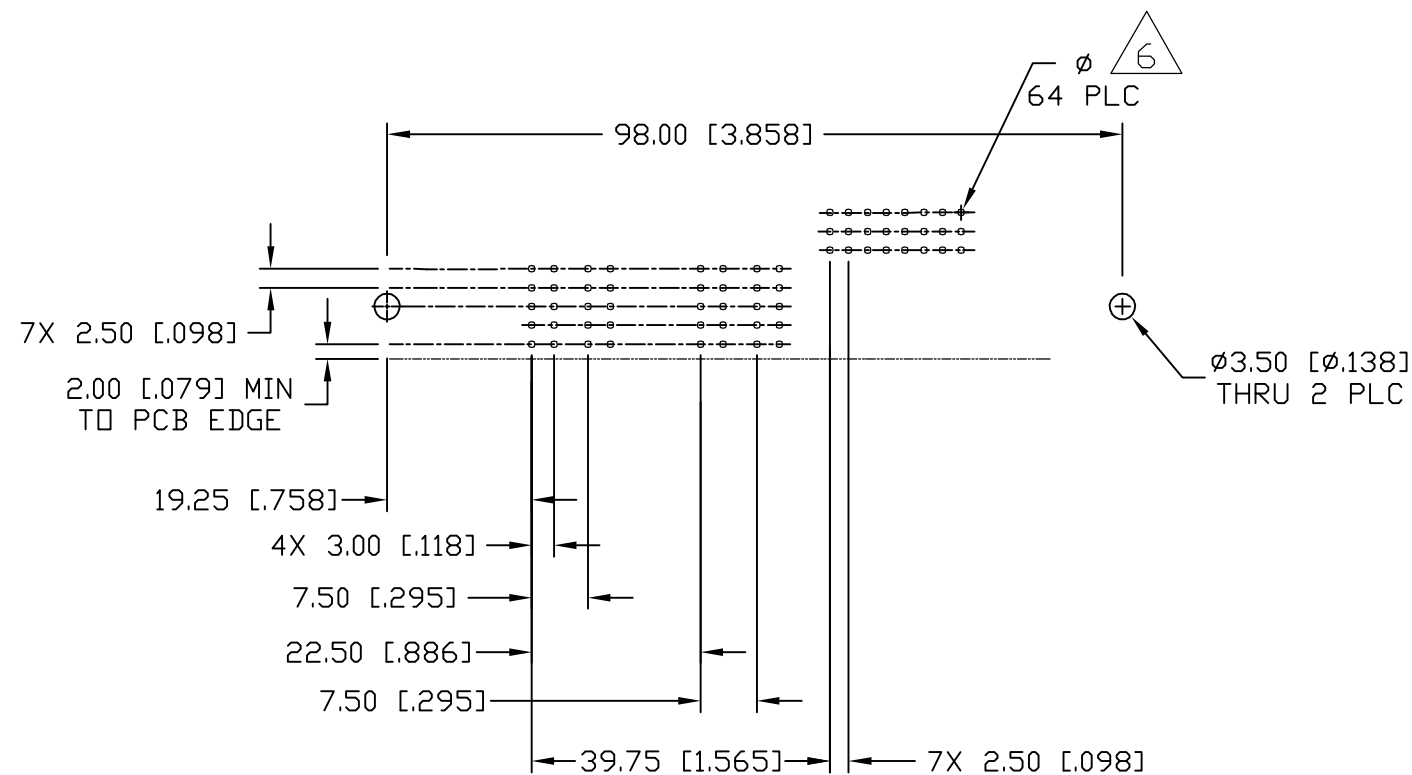
THIS DRAWING IS UNPUBLISHED. RELEASED FOR PUBLICATION
 © COPYRIGHT BY TYCO ELECTRONICS CORPORATION. ALL RIGHTS RESERVED.

LOC GP	DIST 00	REVISIONS		
P	LTR	DESCRIPTION	DATE	DWN
		SEE SHEET 1		

STANDARD PIN
 POSN 3



KEY:
 ⊠ STANDARD PIN
 □ PREMATE PIN (23 PLACES)
 DETAIL B
 SCALE 2:1



PRINTED CIRCUIT LAYOUT

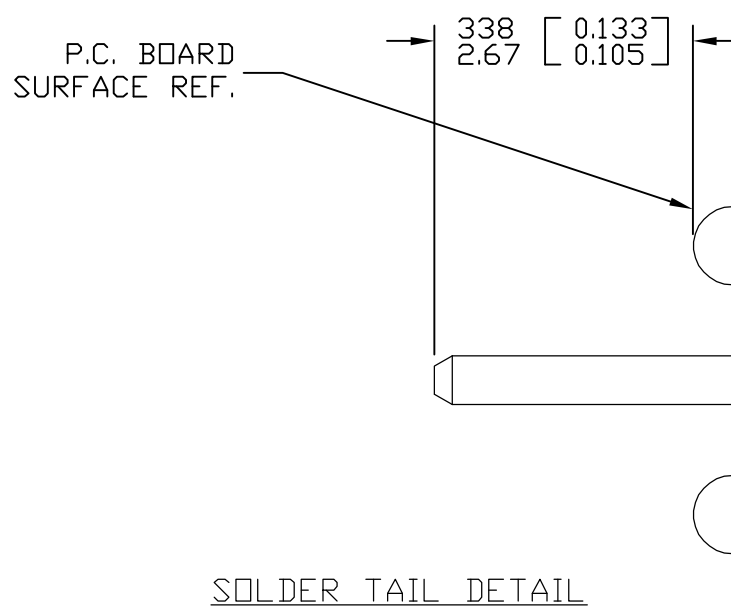
CONNECTOR	CATALOG MODULE #	QTY	SIZE NO.	CONTACT QTY	MATING PIN	MAX. CURRENT (PER CONTACT)	CONTACT SPACING	VOLTAGE RATING*
PIN	FP151	4	8	4	1.25 X 7.00 [.049 X .276]	35 AMPERES	7.50 [0.2953]	250 VOLTS
	FP512	1	N/A	N/A	N/A	N/A	N/A	250 VOLTS
	FP302	1	22	24	.64 [0.025] SQ.	3 AMPERES	2.50 [0.0984]	125 VOLTS
	FP0500	1	LEFT MOUNTING FLANGE					
	FP0501	1	RIGHT MOUNTING FLANGE					

THIS DRAWING IS A CONTROLLED DOCUMENT.		DWN HA NGUYEN	06/20/05	Tyco Electronics Corporation Harrisburg, PA 17105-3608	
DIMENSIONS: mm [INCHES]		CHK M.ALIM			
TOLERANCES UNLESS OTHERWISE SPECIFIED:		APVD D.CHAU		NAME PIN CONNECTOR, RT ANGLE, SLDR SHORT TAIL 1 PIECE BLADE, FLATPAQ	
0 PLC ± - 1 PLC ± 0.3 [.012] 2 PLC ± 0.15 [.006] 3 PLC ± - 4 PLC ± - ANGLES ± 5°		PRODUCT SPEC		RESTRICTED TO	
MATERIAL SEE LIST OF MATERIALS		FINISH		SIZE A3	CAGE CODE 00779
		WEIGHT	-	DRAWING NO C-6651330	
CUSTOMER DRAWING			SCALE 1:1	SHEET 2 OF 3	REV C

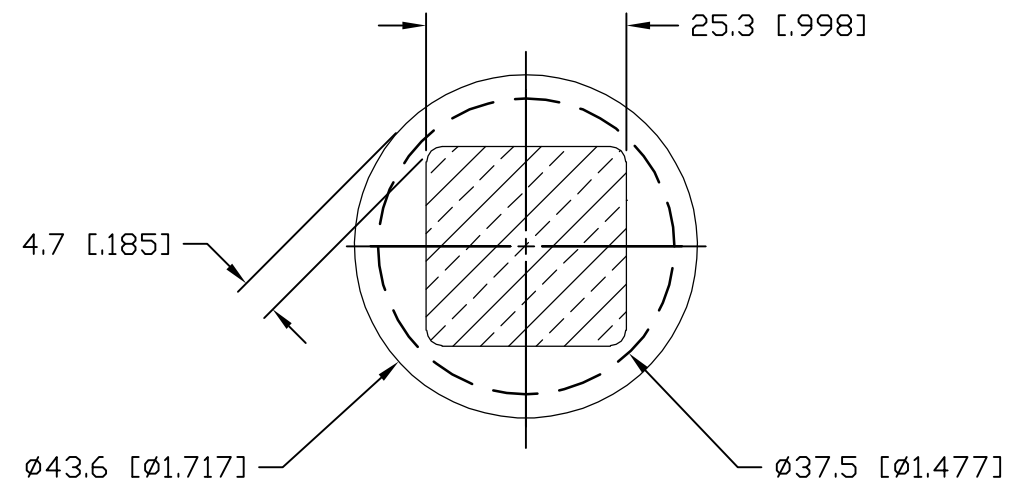
ELCON FLATPAQ

THIS DRAWING IS UNPUBLISHED. RELEASED FOR PUBLICATION
 © COPYRIGHT BY TYCO ELECTRONICS CORPORATION. ALL RIGHTS RESERVED.

LOC	DIST	REVISIONS			
P	LTR	DESCRIPTION	DATE	DWN	APVD
GP	00	SEE SHEET 1	-	-	-



SOLDER TAIL DETAIL
SCALE: 10 : 1



6 SOLDER TERMINATION AREA

SCALE: 40 : 1

RECOMMENDED PRINTED CIRCUIT HOLE
SOLDER OR COMPLIANT PRESS FIT

- FINISHED HOLE: ∅1.02 [0.040] ±0.08 [0.003]
- DRILLED HOLE: ∅1.15 [0.0453] ±0.013 [0.0005]
- COPPER PLATE: .025 [0.0010] MINIMUM (PER SURFACE)
- TIN PLATE: .008 [0.0003] MINIMUM (PER SURFACE)

THIS DRAWING IS A CONTROLLED DOCUMENT.		DWN HA NGUYEN 06/20/05	Tyco Electronics Corporation Harrisburg, PA 17105-3608	
DIMENSIONS: mm [INCHES]		CHK M.ALIM		
	TOLERANCES UNLESS OTHERWISE SPECIFIED:	APVD D.CHAU	NAME PIN CONNECTOR, RT ANGLE, SLDR SHORT TAIL 1 PIECE BLADE, FLATPAQ	
	0 PLC ± - 1 PLC ± 0.3 [0.012] 2 PLC ± 0.15 [0.006] 3 PLC ± - 4 PLC ± - ANGLES ± 5'	PRODUCT SPEC -	RESTRICTED TO -	
MATERIAL SEE LIST OF MATERIALS	FINISH -	APPLICATION SPEC -	SIZE A3	CAGE CODE 00779
		WEIGHT -	DRAWING NO C=6651330	RESTRICTED TO -
CUSTOMER DRAWING			SCALE 1:1	SHEET 3 of 3
			REV C	

ELCON FLATPAQ

X-ON Electronics

Largest Supplier of Electrical and Electronic Components

Click to view similar products for [Heavy Duty Power Connectors](#) category:

Click to view products by [TE Connectivity](#) manufacturer:

Other Similar products are found below :

[1424439](#) [1424438](#) [09330062652](#) [2-8675P1](#) [605601-1](#) [6340G1](#) [6341G1](#) [6360G1](#) [6373G1](#) [6374g2](#) [6396G1](#) [647757-1](#) [66394-4](#) [6643411-1](#)
[6646058-2](#) [6646137-1](#) [6646138-1](#) [6646348-1](#) [6646479-1](#) [6646608-1](#) [6646786-1](#) [6646940-1](#) [6651091-1](#) [6651525-1](#) [6651529-1](#) [6651778-1](#)
[6651788-1](#) [696465-1](#) [696475-1](#) [73000005059](#) [73000005349](#) [73000005642](#) [73080255059](#) [73080965046](#) [765-15-0080A](#) [765-16-0080B](#)
[789.700-44](#) [789.700-54](#) [80-1010](#) [80-9](#) [827381-1](#) [829992-1](#) [902-77-02113](#) [PL00U-301-10D10](#) [PM103MOOLOO](#) [PM16S1620S32-50](#)
[PM212MOOLOO](#) [PM309FOOLOO](#) [PM324FOOLCH](#) [PMHPAF11S03](#)