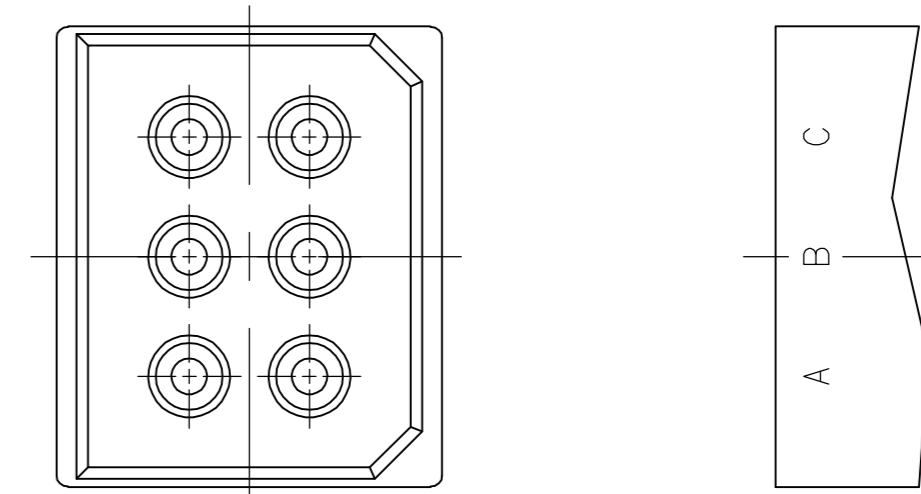
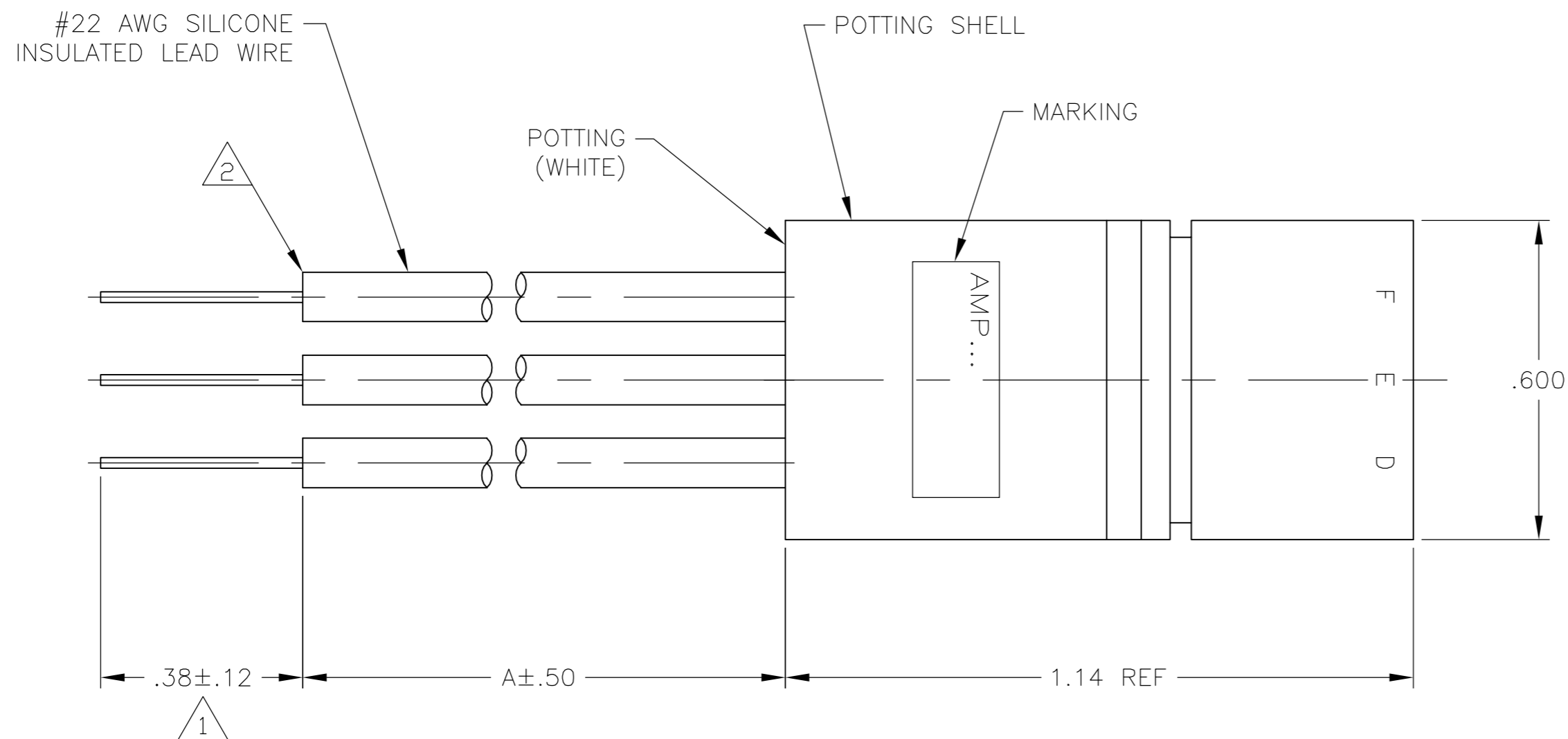


THIS DRAWING IS UNPUBLISHED. RELEASED FOR PUBLICATION - .N/A .
 © COPYRIGHT N/A BY TYCO ELECTRONICS CORPORATION. ALL RIGHTS RESERVED.

LOC	DIST	REVISIONS			
P	LTR	DESCRIPTION	DATE	DWN	APVD
DF	S0	A	REV PER ECO-05-003302	08-05	AA DE

- ① PIGTAILS ARE SOLDER DIPPED.
- ② INSULATION CUT, BUT NOT REMOVED.



A	BROWN
B	RED
C	GREEN
D	BLUE
E	BLACK
F	WHITE

SCHEMATIC

②	12.00	5-867471-1
①	36.00	867471-3
①	24.00	867471-2
①	12.00	867471-1
REMARKS	"A" DIM	PART NO.

THIS DRAWING IS A CONTROLLED DOCUMENT.		DWN R.HEPNER 11-MAY-82	Tyco Electronics Corporation Harrisburg, Pa 17105-3608	
DIMENSIONS: INCHES		CHK B.WALTERS 13-MAY-82		
TOLERANCES UNLESS OTHERWISE SPECIFIED:		APVD B.WALTERS 13-MAY-82	NAME	
0 PLC ± - 1 PLC ± - 2 PLC ± .03 3 PLC ± .015 4 PLC ± - ANGLES ± - FINISH -		PRODUCT SPEC	RECEPTACLE ASSY 6 POSN WITH FLYING LEADS SUBMINIATURE, LGH	
MATERIAL -		APPLICATION SPEC	SIZE A2	CAGE CODE 00779
		WEIGHT -	DRAWING NO C=867471	RESTRICTED TO -
		CUSTOMER DRAWING	SCALE 4:1	SHEET 1 OF 1
			REV A	

X-ON Electronics

Largest Supplier of Electrical and Electronic Components

Click to view similar products for [Standard Circular Connector](#) category:

Click to view products by [TE Connectivity](#) manufacturer:

Other Similar products are found below :

[C015](#) [10F006](#) [001](#) [1](#) [5M2530B10P](#) [600259N006](#) [600273N007](#) [600432N009](#) [6280-2PG-519](#) [6280-3PG-311](#) [6280-3SG-311](#) [6280-7SG-3DC](#)
[6280-7SG-522](#) [6282-5PG-311](#) [6282-6PG-519](#) [6282-8SG-311](#) [6283-11](#) [6283-15](#) [6290](#) [6382-2PG-311](#) [6382-2PG-3DC](#) [6382-2SG-321](#) [6382-2SG-3DC](#) [6382-4SG-516](#) [67-03E20-37P](#) [681-PMG](#) [CXS3102A14S2P](#) [CXS3102A181S](#) [CXS3106A14S6S](#) [MB12P-1](#) [MB12R-6](#) [7251-2PG-300](#) [7251-2SG-300](#) [7251-4PG-300](#) [7251-4SG-300](#) [7251-5PG-300](#) [7251-5SG-300](#) [7251-6SG-300](#) [7251-7PG-300](#) [7251-8PG-300](#) [7271-6SG-300](#) [7282-3PG-300-CH3](#) [73000005663](#) [75-190216-08S](#) [75-190218-10P](#) [75-474118-10P](#) [75-474618-01S](#) [75-474620-07P](#) [799539-000](#) [MI8-SE](#) [80-190222-18P](#) [805-005-07NF11-19PC](#) [805-005-07NF15-7PA](#)