

329563

PROTOTYPING BOARD ACCESSORIES

HEADERS AND SOCKET PINS

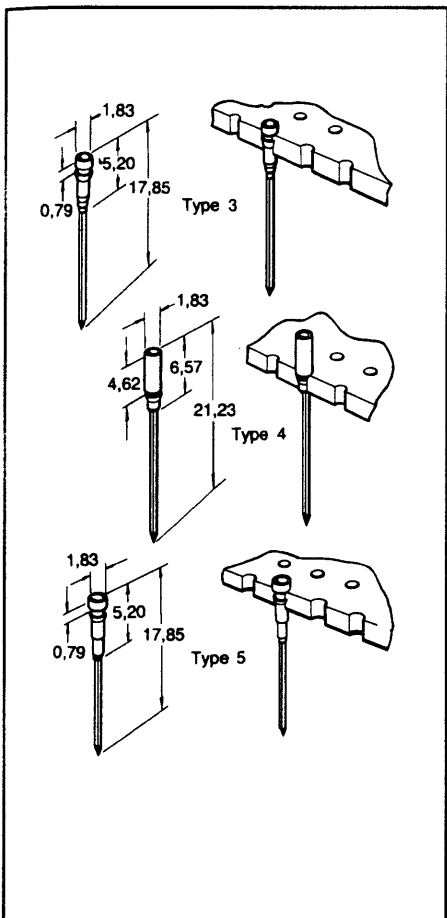
MINIWRAP SOCKET PINS (TYPES 3, 4 & 5)

These pins have 4-leaf spring beryllium copper inserts enabling components to be plugged directly into sockets.

Type 3 is a low-profile pin allowing components to be mounted close to the board surface

Type 4 has a higher profile allowing heat to be dissipated by convection between the components and the board

Type 5 Identical to type 3 but without beryllium copper contact. Recommended for use with discrete components to be soldered in position



MINIWRAP SOCKET PINS Ordering information

Type	Compatible hole dia.		Order code
	pierced	drilled	
3	-	1,45	66-3472C
4	1,02	1,05	66-3505A
5	-	1,45	66-3471H

Material: All wire wrapping pins are manufactured from brass to BS249 and gold plated over a copper and nickel finish (unless otherwise stated)

Post size: 0,61 mm square, 0,86 mm diagonal.

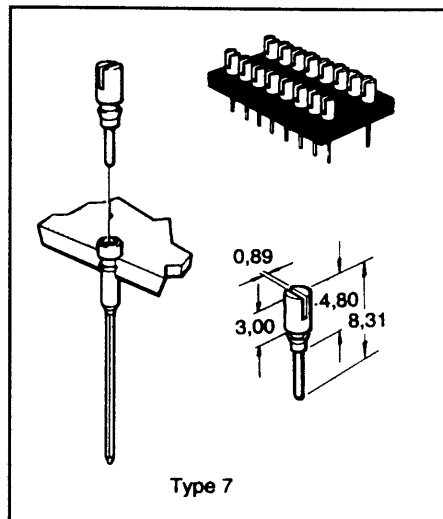
SOCKET PINS - TYPICAL TEST DATA

(test data shown applies to 66-3472C and 66-3505A only)

Test	Result
Terminal retention	5,4 kgf
Contact resistance	Initial 5,3 mΩ average After 1000 insertions / withdrawals 6,4 mΩ av.
Low voltage	0,1 mA measured with open-circuit voltage of 10 μV
Salt spray (48 Hours)	Contact resistance <15 mΩ No evidence of galvanic corrosion
Humidity	No evidence of damage
Exposure to atmospheric pollution	5m Ω maximum

TERMINAL HEADER PIN (TYPE 7)

May be mounted directly into header board or alternatively plugged into socket pins (66-3472C - type 3) or (66-3505A - type 4).



TERMINAL HEADER PIN Ordering information

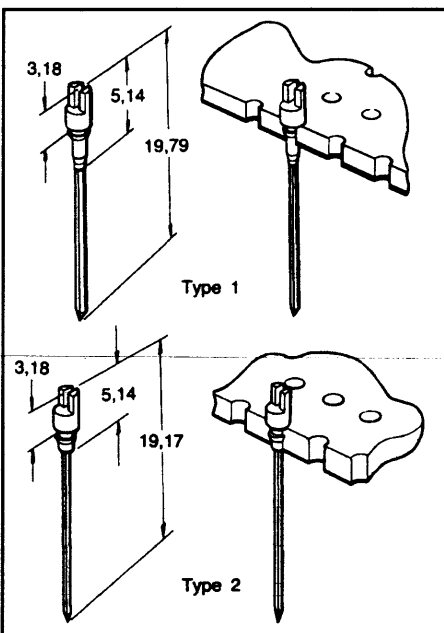
Type	Compatible hole dia.		Order code
	pierced	drilled	
7	1,32	1,40	66-3469G

Supplied in packets of 100

MINIWRAP HEADED PINS (TYPES 1 & 2)

For mounting discrete components.

These pins feature a 0,89 mm cross-cut slot on the component side to locate component leads for assembly.



MINIWRAP HEADED PINS Ordering information

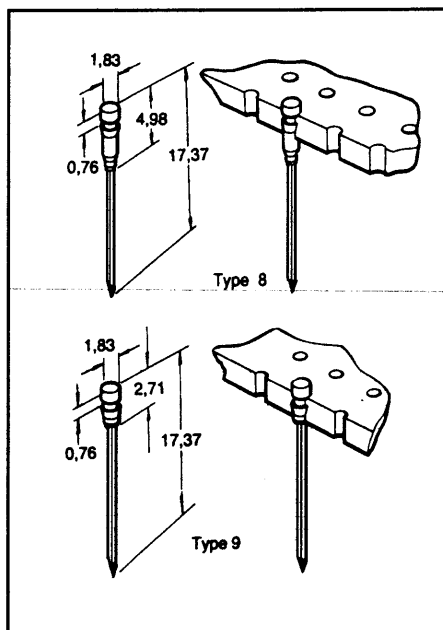
Type	Compatible hole dia.		Order code
	pierced	drilled	
1	1,32	1,40	66-3478F
2	1,02	1,05	66-3523K

Supplied in packets of 100

MINIWRAP TERMINALS

SINGLE SIDED PINS TYPES 8 & 9

Suitable for use with all types of boards. This pin may be soldered to a copper track or pad to ensure electrical continuity.



SINGLE SIDED PINS Ordering information

Type	Compatible hole dia.		Order code
	pierced	drilled	
8	1,32	1,40	66-3496D
9	1,02	1,05	66-3514L

X-ON Electronics

Largest Supplier of Electrical and Electronic Components

Click to view similar products for [vero manufacturer](#):

Other Similar products are found below :

[503-232983F](#) [503-232948H](#) [20-313145](#) [16-269316](#) [503-232963A](#) [75-265742](#) [75-38118](#) [950-201784G](#) [16-269313](#) [18-1657](#) [75-265739](#) [503-232946A](#) [20-313139](#) [20-313138](#) [20-313144](#) [75-227911](#) [18-0222](#) [645-10028](#) [75-265740](#) [01-0042](#) [75-3019](#) [75-227895](#) [75-227901](#) [503-232985B](#) [20-313140](#) [75-227910](#) [503-232954B](#) [20-313143](#) [01-0021](#) [20-2136](#) [20-313137](#) [75-2861](#) [75-226685](#) [950-202001E](#) [75-2860](#) [20-2137](#)