

PANDUIT PART NUMBER		STUD SIZE	DIMENSIONS in.				
			A ±.03	W ±.01	C ±.02	M ±.03	H ±.01
PV14-4R	-C -M	#4	.84 (21.3)	.25 (6.4)	.19 (4.8)	.71 (18.0)	.12 (3.1)
PV14-6RN	-C -M	#6	.84 (21.3)	.25 (6.4)	.19 (4.8)	.71 (18.0)	.15 (3.8)
PV14-6R	-C -M	#6	.92 (23.4)	.31 (7.9)	.25 (6.4)	.76 (19.3)	.15 (3.8)
PV14-8R	-C -M	#8	.92 (23.4)	.31 (7.9)	.25 (6.4)	.76 (19.3)	.17 (4.3)
PV14-10R	-C -M	#10	.92 (23.4)	.31 (7.9)	.25 (6.4)	.76 (19.3)	.20 (5.1)
PV14-14R	-C -M	1/4"	1.12 (28.5)	.46 (11.7)	.38 (9.7)	.89 (22.6)	.27 (6.9)
PV14-56R	-C -M	5/16"	1.12 (28.5)	.46 (11.7)	.38 (9.7)	.89 (22.6)	.34 (8.6)
PV14-38R	-L -M	3/8"	1.21 (30.7)	.53 (13.5)	.43 (10.9)	.94 (23.9)	.40 (10.2)
PV14-12R	-L	1/2"	1.42 (36.1)	.72 (18.3)	.53 (13.5)	1.06 (26.9)	.52 (13.2)

NOTES:

- UL LISTED & CSA CERTIFIED FOR
 - 600 V. MAX. VOLTAGE RATING (1000 V. MAX. IN SIGNS, FIXTURES AND LUMINAIRES.)
 - 18-14 AWG SOLID OR STRANDED COPPER WIRE & 221°F (105°C) MAX TEMP RATING, WITH THE CT-500 & CT-550, CT-1551, CT-1550 INSTALLATION TOOLS.
 - 16-14 AWG SOLID OR STRANDED COPPER WIRE & 167°F (75°C) MAX TEMP RATING WITH THE CT-100 INSTALLATION TOOLS.

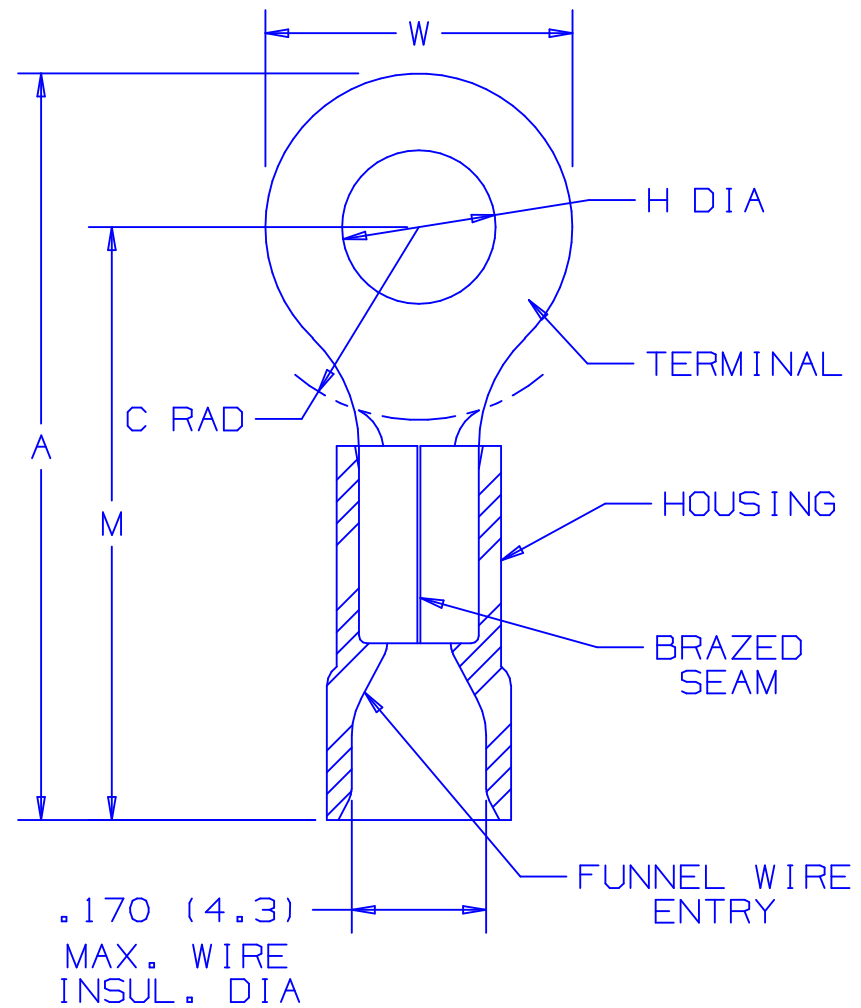
2. MATERIAL:

- STAMPING - .032 (.8) THK COPPER, TIN PLATED
- HOUSING - VINYL, BLUE

3. STRIP LENGTH 5/16 +1/32_0

4. PACKAGE QTY.: -L=50
 STD PKG-C=100
 BULK PKG-M=1000

5. DIMENSIONS IN BRACKETS ARE IN MILLIMETERS



CERTIFIED
LR31212



LISTED
587H
E52164

A41184_05

REV	DATE	BY	CHK	DESCRIPTION	ECN #	CUST	PM
05	12/02	SAC		FOR PV14-12R DIM A WAS 1.41 & DIM M WAS 1.05			
04	5/02	SRB	SKB	CHANGED (DIMS.) TO 1 PLACE DECIMAL	10231	LA	TRO
03	4/02	SRB	SKB	ADDED PV14-12R	10171	LA	TRO

PANDUIT CORP.

TINLEY PARK, ILLINOIS

2PC. VINYL INSULATED,
#16-14 BARREL, RINGS

DRAWN BY FES	CHK'D	SCALE NONE	DRAWING NO. A41184
-----------------	-------	---------------	-----------------------

X-ON Electronics

Largest Supplier of Electrical and Electronic Components

Click to view similar products for [Terminals](#) category:

Click to view products by [Panduit](#) manufacturer:

Other Similar products are found below :

[HT-13-10](#) [71M-250-32-NB](#) [01-2065-1-0216](#) [00581P0075](#) [M10-10RX](#) [M10BCK](#) [60205-1](#) [604200-1](#) [60598-1-CUT-TAPE](#) [60617-1-C](#) [60873-1](#) [M14-516R/SK](#) [M14-6RSX](#) [M18-10FLX](#) [M18-8FBX](#) [M18-8R/LX](#) [M18BCK](#) [61314-6-C](#) [61-S](#) [61-SN-A](#) [62-NBM-A](#) [63-S](#) [640179-1](#) [640917-2-CUT-TAPE](#) [6501550002](#) [66107-2-C](#) [66107-4-C](#) [696683-1](#) [696834-1](#) [696861-1](#) [696931-1](#) [696999-1](#) [M8-516RK](#) [M86700006](#) [MA250DMFMX-A](#) [701-2007](#) [701-2307](#) [701-7761-03](#) [70F-110-32-PB](#) [718-N-A](#) [71M-187-20-NBL](#) [71M-250-32-NBL](#) [72F-187-20-NBL](#) [72M-250-32-NBL](#) [7310](#) [73F-250-32](#) [73F-250-32-NBL](#) [73F-250-32-NL](#) [F14-10C](#) [F-1M](#)