

Screw and gasket, see sheet 2, PN Key
Face View See Insert Orientation

CIRCUIT PRINTOUT/WHITE

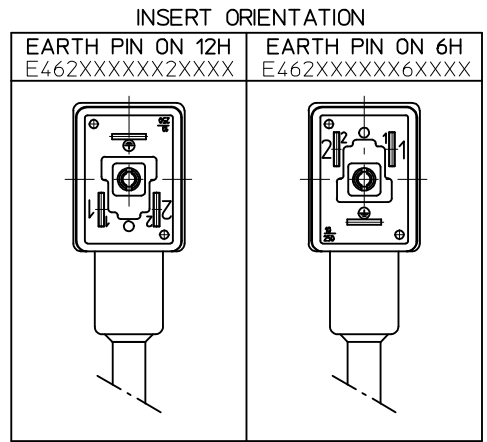
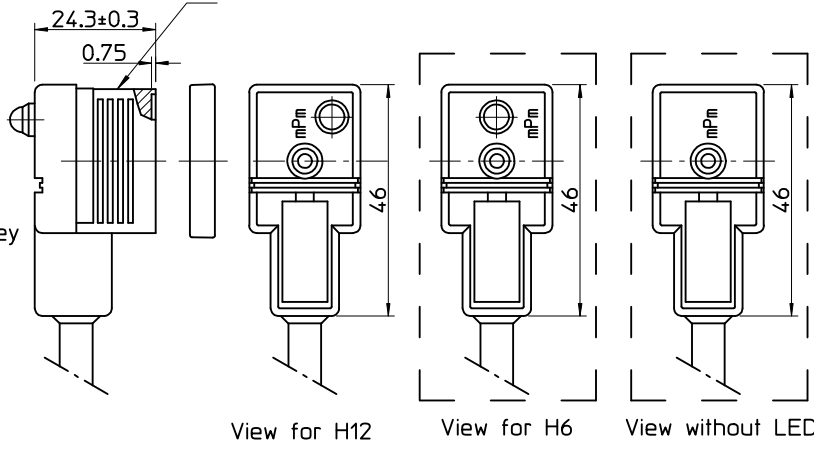
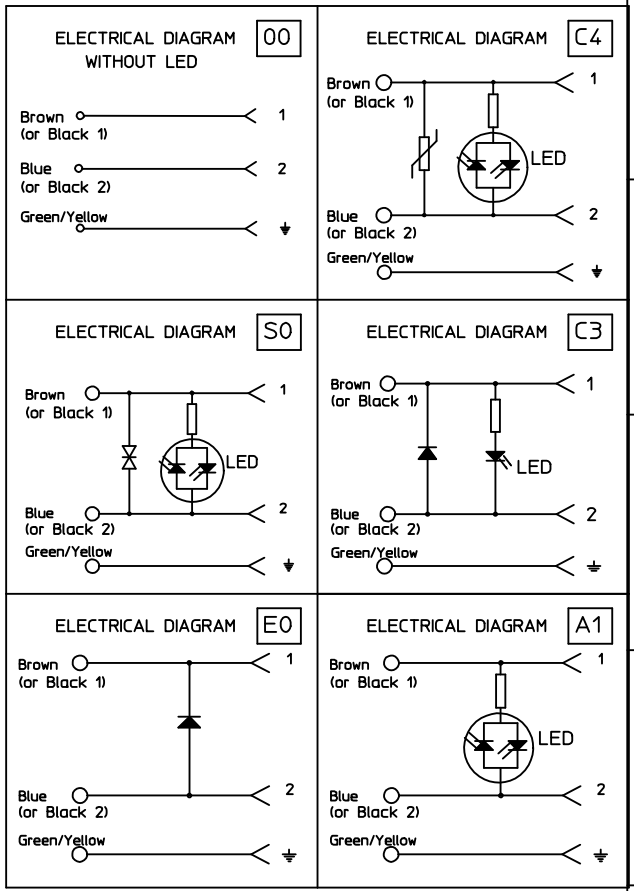


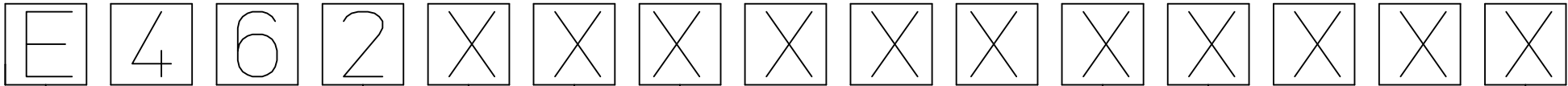
Table of length tolerances [mm]

Over	Up to and including	Tolerance (+)
0	1000	±20
1000	3000	±30
3000	5000	±40
5000	10000	±50
10000	15000	±100
15000	20000	±150
20000		±L/100



<p>DRAWING UPDATED IEC NO: IPG2013-1493 DRW:NDYSZEWSKA 2013/03/27 CHKD: JMARSZALEK 2013/03/27 APPR: MIWASIECZKO 2013/03/28</p>	<p>QUALITY SYMBOLS ▽ ±0 ◻ ±0</p>	<p>GENERAL TOLERANCES (UNLESS SPECIFIED)</p> <table border="1"> <thead> <tr> <th></th> <th>mm</th> <th>INCH</th> </tr> </thead> <tbody> <tr> <td>4 PLACES</td> <td>±---</td> <td>±---</td> </tr> <tr> <td>3 PLACES</td> <td>±---</td> <td>±---</td> </tr> <tr> <td>2 PLACES</td> <td>±---</td> <td>±---</td> </tr> <tr> <td>1 PLACE</td> <td>±---</td> <td>±---</td> </tr> <tr> <td>0 PLACE</td> <td>±---</td> <td>±---</td> </tr> </tbody> </table>		mm	INCH	4 PLACES	±---	±---	3 PLACES	±---	±---	2 PLACES	±---	±---	1 PLACE	±---	±---	0 PLACE	±---	±---	<p>DIMENSION STYLE MM ONLY</p>	<p>SCALE DESIGN UNITS METRIC</p>	<p>FIRST ANGLE PROJECTION</p>
			mm	INCH																			
4 PLACES	±---	±---																					
3 PLACES	±---	±---																					
2 PLACES	±---	±---																					
1 PLACE	±---	±---																					
0 PLACE	±---	±---																					
<p>DRAFT WHERE APPLICABLE MUST REMAIN WITHIN DIMENSIONS</p>	<p>MATERIAL NO. MATERIAL NO.</p>	<p>TITLE E462XXXXXXXXXX FORM INDUSTRIAL</p>	<p>DOCUMENT NO. SD-121050-003</p>	<p>SHEET NO. 1 OF 4</p>																			

10 9 8 7 6 5 4 3 2 1



E - Packing without bags
 W - Single packing
 Q - Quick packing

NUMBER OF WIRES:
 1=2 WIRES
 2=2 WIRES + EARTH

CABLE TYPE
 SEE TABLE 1

CABLE CROSS SECTION AREA
 SEE TABLE 2

HEAD COLOUR:
 G=GREY;
 N=BLACK;
 T=TRANSPARENT;
 A=CSA-UL BLACK;
 B=CSA-UL GREY.

CABLE LENGHT IN CM
 Eg.:050=50 CM, 300=300 CM, 10K=1000 CM.

EARTH PIN LOCATION:
 2=EARTH ON 12H,
 6=EARTH ON 6H.

GASKET SCREWS:

- 1=NBR PROFILE GASKET+FIXING SCREWS (M3x25 mm).
- 2=NBR FLAT GASKET+SCREW (M3x25 mm).
- 3=SILICONE PROFILE GASKET+SCREW (M3x25 mm).
- 4=SILICON FLAT GASKET+SCREW (M3x25 mm).
- P=INTEGRATED GASKET+FIXING SCREW+GROMMET (M3x27 mm).
- R=INTAGRATED GASKET+SCREW+GROMMET (M3x27 mm).
- T=PROFILE GASKET+SCREW+GROMMET (M3x27 mm).

INTERNAL CIRCUIT WIREING CONFIGURATION

VOLTAGE AND LED COLOUR:

1= 12V	A= 12V	G= 12V
2= 24V	B= 24V	H= 24V
3= 48V	C= 48V	K= 48V
4= 115V	D= 115V	L= 115V
5= 230V	E= 230V	M= 230V

RED LED GREEN LED YELLOW LED

DRAWING UPDATED EC NO: IPG2013-1493 DRWING: MYSZEWSKA 2013/03/27 CHKD: JMARSZALEK 2013/03/27 APPR: MIWASIECZKO 2013/03/28	DESCRIPTION REV	QUALITY SYMBOLS	GENERAL TOLERANCES (UNLESS SPECIFIED)	DIMENSION STYLE	SCALE	DESIGN UNITS	FIRST ANGLE PROJECTION																		
			<table border="1"> <tr> <th></th> <th>mm</th> <th>INCH</th> </tr> <tr> <td>4 PLACES</td> <td>± ---</td> <td>± ---</td> </tr> <tr> <td>3 PLACES</td> <td>± ---</td> <td>± ---</td> </tr> <tr> <td>2 PLACES</td> <td>± ---</td> <td>± ---</td> </tr> <tr> <td>1 PLACE</td> <td>± ---</td> <td>± ---</td> </tr> <tr> <td>0 PLACE</td> <td>± ---</td> <td>± ---</td> </tr> </table>		mm	INCH	4 PLACES	± ---	± ---	3 PLACES	± ---	± ---	2 PLACES	± ---	± ---	1 PLACE	± ---	± ---	0 PLACE	± ---	± ---	MM ONLY	1:1	METRIC	
			mm	INCH																					
		4 PLACES	± ---	± ---																					
		3 PLACES	± ---	± ---																					
2 PLACES	± ---	± ---																							
1 PLACE	± ---	± ---																							
0 PLACE	± ---	± ---																							
		<table border="1"> <tr> <th>DRAWN BY</th> <th>DATE</th> <th>TITLE</th> </tr> <tr> <td>JMARSZALEK</td> <td>2012/10/31</td> <td rowspan="5">E462XXXXXXXXXX FORM INDUSTRIAL</td> </tr> <tr> <th>CHECKED BY</th> <th>DATE</th> </tr> <tr> <td>MSZWAJKOWSKI</td> <td>2012/10/31</td> </tr> <tr> <th>APPROVED BY</th> <th>DATE</th> </tr> <tr> <td>MIWASIECZKO</td> <td>2012/11/09</td> </tr> </table>	DRAWN BY	DATE	TITLE	JMARSZALEK	2012/10/31	E462XXXXXXXXXX FORM INDUSTRIAL	CHECKED BY	DATE	MSZWAJKOWSKI	2012/10/31	APPROVED BY	DATE	MIWASIECZKO	2012/11/09									
DRAWN BY	DATE	TITLE																							
JMARSZALEK	2012/10/31	E462XXXXXXXXXX FORM INDUSTRIAL																							
CHECKED BY	DATE																								
MSZWAJKOWSKI	2012/10/31																								
APPROVED BY	DATE																								
MIWASIECZKO	2012/11/09																								
		ANGULAR ± --- ° DRAFT WHERE APPLICABLE MUST REMAIN WITHIN DIMENSIONS	MATERIAL NO. MATRIX DRAWING	DOCUMENT NO. SD-121050-003	SHEET NO. 2 OF 4																				
			SIZE A3	THIS DRAWING CONTAINS INFORMATION THAT IS PROPRIETARY TO MOLEX INCORPORATED AND SHOULD NOT BE USED WITHOUT WRITTEN PERMISSION																					

TABLE 2 - CABLES


Molex PN	mPm	Code	Wires	Cross Section	Material	Color	Diameter Ø	DIN A-B	DIN C
1210180080	I	0	3	1 mm2	PVC CEI 2022 II O.R.	Grey RAL7035	-	-	-
1210180467	A	2	2	20 AWG	PVC CSA/UL 2661	Black	5,5+/-0,2 mm	OK.	OK.
-	A	2	3	20 AWG	PVC CSA/UL 2661	Black	5,6+/-0,2 mm	OK.	OK.
1210180394	A	2	4	20 AWG	PVC CSA/UL 2661	Black	6,2+/-0,2 mm	OK.	OK.
-	A	2	5	20 AWG	PVC CSA/UL 2661	Black	7+/-0,2 mm	OK.	-
1210180297	B	2	2	20 AWG	PUR CSA/UL 20668	Black	5,5+/-0,2 mm	OK.	OK.
1210180126	B	2	3	20 AWG	PUR CSA/UL 20668	Black	5,6+/-0,2 mm	OK.	OK.
1210180367	B	2	4	20 AWG	PUR CSA/UL 20668	Black	6,2+/-0,2 mm	OK.	OK.
-	B	2	5	20 AWG	PUR CSA/UL 20668	Black	7+/-0,2 mm	OK.	-
1210180122	D	2	3	0,5 mm2	PVC T12 CEI 20-20	Grey	-	-	-
-	F	2	3	0,5 mm2	CNOMO	Grey RAL7000	5,5+/-0,2 mm	OK.	OK.
1210180047	I	2	2	0,5 mm2	PVC CEI 2022 II O.R.	Grey RAL7035	5,5+/-0,2 mm	OK.	OK.
-	I	2	3	0,5 mm2	PVC CEI 2022 II O.R.	Grey RAL7035	5,5+/-0,2 mm	OK.	OK.
1210180146	I	2	4	0,5 mm2	PVC CEI 2022 II O.R.	Grey RAL7035	6,5+/-0,2 mm	OK.	-
1210180177	I	2	5	0,5 mm2	PVC CEI 2022 II O.R.	Grey RAL7035	7+/-0,2 mm	OK.	-
1210180022	N	2	2	0,5 mm2	PVCH03	Black	5,1+ 0,2-0 mm	OK.	OK.
1210180064	N	2	3	0,5 mm2	PVCH03	Black	5,4+ 0,2-0 mm	OK.	OK.
1210180153	N	2	4	0,5 mm2	PVCH03	Black	5,75+0,2-0 mm	OK.	OK.
1210180046	P	2	2	0,5 mm2	PUR - BLEND	Black	5,5+/-0,2 mm	OK.	OK.
-	P	2	3	0,5 mm2	PUR - BLEND	Black	5,5+/-0,2 mm	OK.	OK.
1210180302	P	2	4	0,5 mm2	PUR - BLEND	Black	-	-	-
-	P	2	5	0,5 mm2	PUR - BLEND	Black	7+/-0,2 mm	OK.	OK.
1210180409	A	3	2	18 AWG	PVC CSA/UL 2661	Black	6,5+/-0,2 mm	OK.	-
1210180129	A	3	3	18 AWG	PVC CSA/UL 2661	Black	6,5+/-0,2 mm	OK.	-
1210180169	A	3	4	18 AWG	PVC CSA/UL 2661	Black	7+/-0,2 mm	OK.	-
-	A	3	5	18 AWG	PVC CSA/UL 2661	Black	7,8+/-0,2 mm	OK.	-
1210180351	B	3	2	18 AWG	PUR CSA/UL 20668	Black	6,5+/-0,2 mm	OK.	-
1210180127	B	3	3	18 AWG	PUR CSA/UL 20668	Black	6,5+/-0,2 mm	OK.	-
1210180127	B	3	4	18 AWG	PUR CSA/UL 20668	Black	7+/-0,2 mm	OK.	-
-	B	3	5	18 AWG	PUR CSA/UL 20668	Black	7,8+/-0,2 mm	OK.	-
1210180073	D	3	3	0,75 mm2	PVC T12 CEI 20-20	Grey	-	-	-
1210180145	D	3	4	0,75 mm2	PVC T12 CEI 20-20	Grey	-	-	-
1210180120	I	3	3	0,75 mm2	PVC CEI 2022 II O.R.	Grey RAL7035	-	-	-
1210180143	I	3	4	0,75 mm2	PVC CEI 2022 II O.R.	Grey RAL7035	-	-	-
1210180032	N	3	2	0,75 mm2	PVCH05	Black	6,2+ 0,2-0 mm	OK.	-
1210180069	N	3	3	0,75 mm2	PVCH05	Black	6,6+0,2-0 mm	OK.	-
-	N	3	4	0,75 mm2	PVCH05	Black	7,15+0,2-0 mm	OK.	-
1210180174	N	3	5	0,75 mm2	PVCH05	Black	8,0+0,2-0 mm	OK.	-
-	P	3	2	0,75 mm2	PUR - BLEND	Black	6,5+/-0,2 mm	OK.	-

TABLE 2 - CABLES

Molex PN	mPm	Code	Wires	Cross Section	Material	Color	Diameter Ø	DIN A-B	DIN C
1210180071	P	3	3	0,75 mm2	PUR - BLEND	Black	6,5+/-0,2 mm	OK.	-
1210180152	P	3	4	0,75 mm2	PUR - BLEND	Black	7+/-0,2 mm	OK.	-
1210180384	R	3	3	0,75 mm2	TPR HAL. FREE	Black	6,5+/-0,2 mm	OK.	-
1210180094	T	3	3	0,75 mm2	PUR CSA/UL	Yellow	-	-	-
1210180309	Y	3	3	0,75 mm2	SIL/0300	Red	6,5+/-0,2 mm	-	-
1210180081	F	4	3	1 mm2	CNOMO	Grey RAL7000	-	-	-
-	F	4	4	1 mm2	CNOMO	Grey RAL7000	7,1+0,2-0 mm	OK.	-
1210180042	I	4	2	1 mm2	PVC CEI 2022 II O.R.	Grey RAL7035	7,1+0,2-0 mm	OK.	-
1210180079	I	4	3	1 mm2	PVC CEI 2022 II O.R.	Grey RAL7035	7,1+0,2-0 mm	OK.	-
1210180036	N	4	2	1 mm2	PVCH05	Black	6,5+0,2-0 mm	OK.	-
1210180082	N	4	3	1 mm2	PVCH05	Black	6,9+0,2-0 mm	OK.	-
1210180117	R	4	3	1 mm2	TPR HAL. FREE	Black	-	-	-
1210180085	N	5	3	1,5 mm2	PVCH05	Black	8,3+0,2-0 mm	OK.	-
1210180313	I	6	2	0,35 mm2	PVC CEI 2022 II O.R.	Grey RAL7035	-	-	-
-	A	7	3	20 AWG	PVC CSA/UL 2661	Yellow	5,6+/-0,2 mm	OK.	OK.
1210180149	I	9	4	0,75 mm2	PVC CEI 2022 II O.R.	Grey RAL7035	-	-	-

TABLE 1 - CABLES TYPE

Code	Cable types	Features	Stranding
N	PVC	Application general purpose cable which has good resistance to water, but usually poor oil resistance.	0,5 mm2 = 15 x 0,20 0,75 mm2 = 21 x 0,20 1 mm2 = 28 x 0,20
I	CEI	Approved to IEC 332-2A, flame retardant and self extinguishing. Limited resistant to mineral oils.	0,5 mm2 = 28 x 0,15 0,75 mm2 = 42 x 0,15 1 mm2 = 32 x 0,20
P	PUR	Offer good resistance to oil and chemicals. Can swell when constantly immersed in water.	0,5 mm2 = 28 x 0,15 0,75 mm2 = 42 x 0,15 1 mm2 = 32 x 0,20
A	PVC CSA-UL	Approved to CSA-UL 2661, application general purpose cable which has good resistance to water, but usually poor oil resistance.	20 AWG = 32 x 0,15 18 AWG = 52 x 0,15
B	PUR CSA-UL	Approved to CSA-UL 20668, very good resistance to oil and chemicals.	20 AWG = 32 x 0,15 18 AWG = 52 x 0,15

DRAWING UPDATED EC NO: IPG2013-1493 DRWING: MYSZEWKA 2013/03/27 CHKD: JMARSZALEK 2013/03/27 APPR: MIWASIECZKO 2013/03/28	QUALITY SYMBOLS ▽=0 ◻=0	GENERAL TOLERANCES (UNLESS SPECIFIED)		DIMENSION STYLE MM ONLY		SCALE 1:1	DESIGN UNITS METRIC	FIRST ANGLE PROJECTION	
			mm	INCH	DRAWN BY JMARSZALEK	DATE 2012/10/31	TITLE E462XXXXXXXXXX FORM INDUSTRIAL		
		4 PLACES	± ---	± ---	CHECKED BY MSZWAJKOWSKI	DATE 2012/10/31			
		3 PLACES	± ---	± ---	APPROVED BY MIWASIECZKO	DATE 2012/11/09			
2 PLACES	± ---	± ---	ANGULAR ± --- °		DOCUMENT NO. SD-121050-003		SHEET NO. 3 OF 4		
1 PLACE	± ---	± ---	DRAFT WHERE APPLICABLE MUST REMAIN WITHIN DIMENSIONS		THIS DRAWING CONTAINS INFORMATION THAT IS PROPRIETARY TO MOLEX INCORPORATED AND SHOULD NOT BE USED WITHOUT WRITTEN PERMISSION				
0 PLACE	± ---	± ---							

X-ON Electronics

Largest Supplier of Electrical and Electronic Components

Click to view similar products for [Screws & Fasteners](#) category:

Click to view products by [Molex](#) manufacturer:

Other Similar products are found below :

[5721-1440-1/4-SS](#) [593503FX](#) [0098.0094](#) [0098.9206](#) [0098.9219](#) [0098.9221](#) [0098.9262](#) [596-2114-013](#) [59781-4](#) [59781-6](#) [0098.0026](#)
[0098.9210](#) [0098.9212](#) [60227-01](#) [60227-04](#) [60227-08](#) [60228-09](#) [618-00001](#) [62153-03](#) [62153-11](#) [M316-KSSTMCZ100](#) [M3440-SS](#) [M3442-SS](#) [M3448-SS](#) [6291A](#) [6292-1](#) [6-306105-9](#) [6-306131-4](#) [690432-1](#) [699161-000](#) [700989](#) [7-18023-1](#) [7-21002-8](#) [7230-3](#) [7235-3](#) [7248-1](#) [7248-2](#)
[73542-02](#) [CAPTIVE SHORT THUMBSCREW](#) [745564-1](#) [748174-2](#) [F03-02](#) [SUS316](#) [F1209](#) [751-00001](#) [80011](#) [809704-1](#) [8700](#) [8860220](#)
[9047](#) [95000002B](#) [9885-2](#)