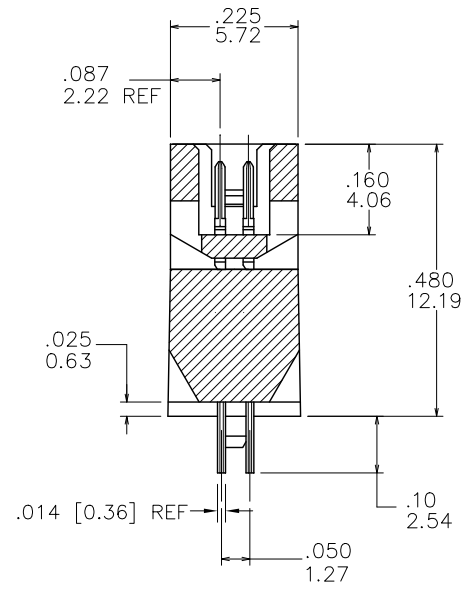
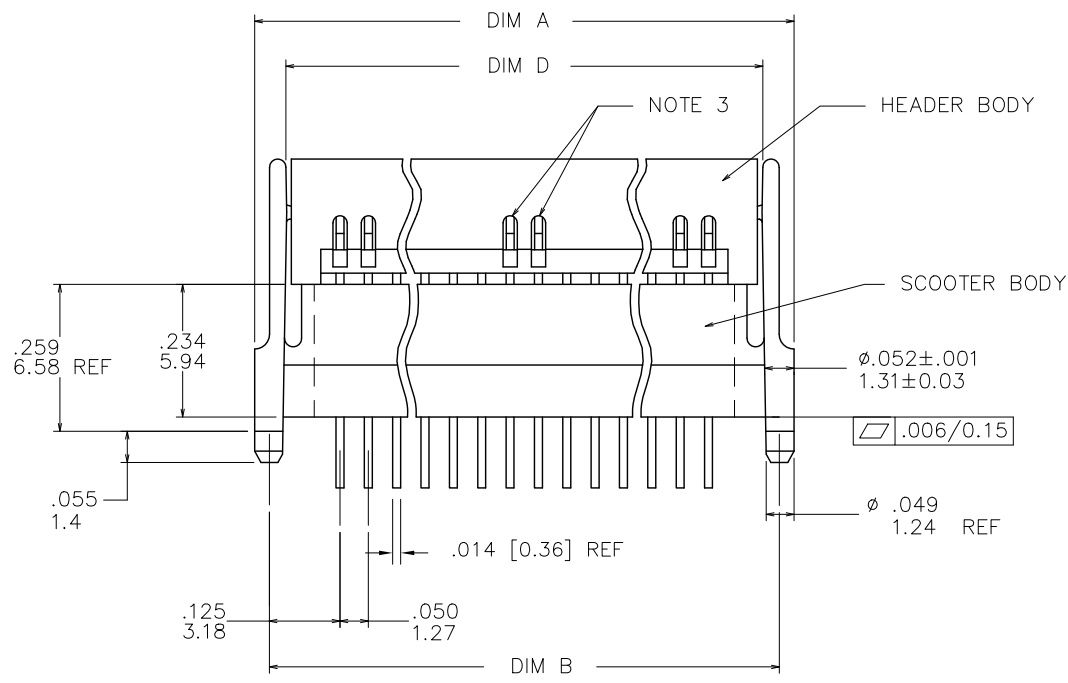
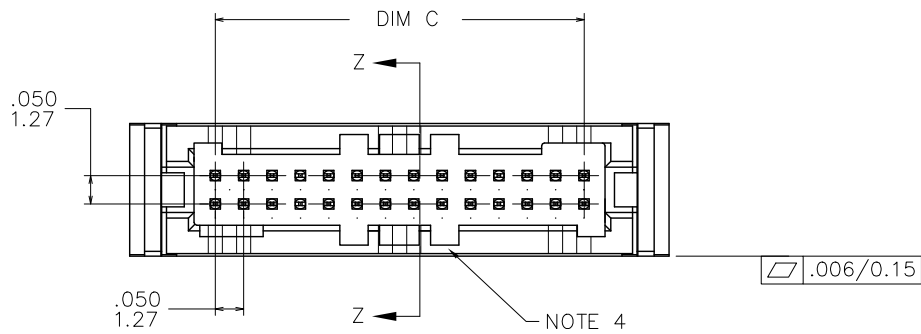


PRODUCT NUMBER
SEE TABLE



SECTION Z-Z
ROTATED 90°CW

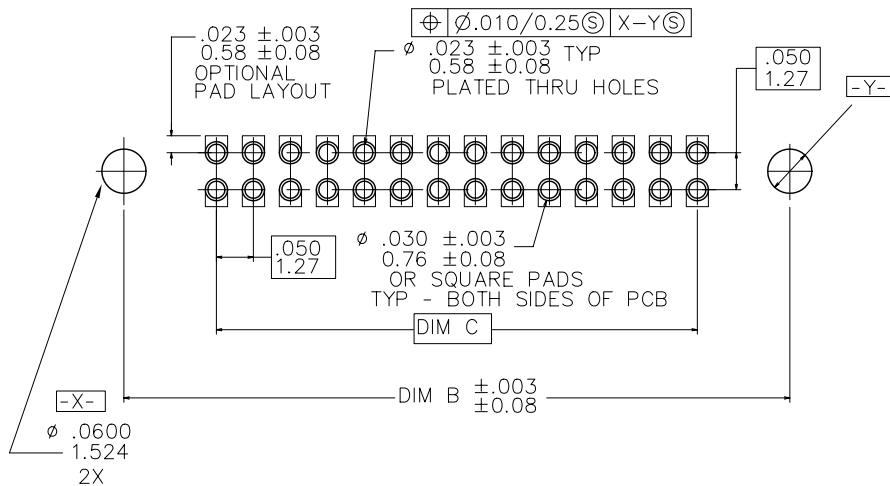
mat'l. code				surface		tolerance		projection		product family	
-				ISO 1302 ✓		ISO 406 ISO 1101				RIBCAGE	
ltr	ecn no	dr	date	tolerances unless otherwise specified						title	
K	V61605	DLW	12/14/00	angles	linear	.XX±.01/0.3		INCH/MM		SCOOTER 1 ASSEMBLY	
L	V02780	DLW	3/9/01			.xxx±.005/0.13					
M	M05-0123	ERE	06/07/05	0°±2'		.xxxx±.0020/0.05		scale 3:1			
N	M06-0225	ERE	06/12/06	dr	J. SHREINER	12/14/90				dwg no sheet 1 of 2 size	
P	M06-0370	MHT	9/26/06	engr	C. TREXLER	12/14/90				87434 A3	
R	M09-0058	CMR	4/06/09	chr	C. TREXLER	12/14/90				type Product Customer Drawing	
S	ELX-N-009984	YO	1/30/12	appd	C. TREXLER	12/14/90					
sheet	revision	S	S								
index	sheet	1	2								

Copyright FCI
FCIconnect.com

PRODUCT NUMBER	NO OF POS	DIM A	DIM B	DIM C	DIM D
87434-115	30	1.000/25.40	.950/24.13	.700/17.78	.890/22.61
-120	40	1.250/31.75	1.200/30.48	.950/24.13	1.140/28.96
-125	50	1.500/38.10	1.450/36.83	1.200/30.48	1.390/35.31
-130	60	1.750/44.45	1.700/43.18	1.450/36.83	1.640/41.66
-135	70	2.000/50.80	1.950/49.53	1.700/43.18	1.890/48.01
-140	80	2.250/57.15	2.200/55.88	1.950/49.53	2.140/54.36
-145	90	2.500/63.50	2.450/62.23	2.200/55.88	2.390/60.71
87434-150	100	2.750/69.85	2.700/68.58	2.450/62.23	2.640/67.06

NOTES:

- TERMINAL PLATING:
CONTACT ZONES:
30u"/.76u MIN HARD GOLD OR GXT OVER 50u"/1.27u Ni ON CONTACT ZONES.
100u"/2.54u MIN Sn OVER 50u"/1.27u Ni IN SOLDERING ZONES.
- HEADER BODY: GLASS FILLED THERMOPLASTIC FLAME
RETARDANT PER UL 94 V-0.
COLOR: NATURAL
HEAT DEFLECTION TEMP - 500°F
- SCOOTER BODY: GLASS FILLED THERMOPLASTIC FLAME
RETARDANT PER UL 94V-0.
COLOR: NATURAL
HEAT DEFLECTION TEMP @ 264 PSI - 466°F(241°C)
PER ASTM TEST NO D64B.
- ADDITIONAL CORING IN CENTER MANUFACTURING OPTION.
- MOLDING FLOW RESTRICTERS QUANTITY AND LOCATION IS MANUFACTURING OPTION.
- ADD "LF" SUFFIX AT THE END OF PART NUMBER FOR LEAD FREE OPTION.
- THIS PRODUCT MEETS EUROPEAN UNION DIRECTIVES AND OTHER COUNTRY REGULATION AS DESCRIBED IN GS-22-008.
- THE HOUSING WILL WITHSTAND EXPOSURE TO 260° PEAK TEMPERATURE FOR 15 SECONDS IN A WAVE SOLDER APPLICATION WITH A 1.5mm MINIMUM THICK CIRCUIT BOARD. SEE APPLICATION NOTES/PROCEDURES IF THEY ARE AVAILABLE.
- PRODUCT SPEC PER BUS-12-087.



RECOMMENDED P.C.B. LAYOUT
SCALE 4/1

mat'l. code		surface		tolerance		projection		product family	
-		ISO 1302 ✓		ISO 406 ISO 1101				RIBCAGE	
ltr		ecn		no		dr		date	
s									
				tolerances unless otherwise specified				title	
				angles		linear		INCH/MM	
				0.010		.xx?01/0.3		SCOOTER 1	
				0.020		.xxx?005/0.13		ASSEMBLY	
				0.050		.xxxx?0020/0.051		scale 3:1	
				dr		J. SHREINER		12/14/90	
				enrg		C. TREXLER		12/14/90	
				chr		C. TREXLER		12/14/90	
				appd		C. TREXLER		12/14/90	
sheet		revision							
index		sheet							



X-ON Electronics

Largest Supplier of Electrical and Electronic Components

Click to view similar products for [Headers & Wire Housings](#) category:

Click to view products by [FCT Electronics](#) manufacturer:

Other Similar products are found below :

[95000-104TRLF](#) [10135584-644402LF](#) [DF62W-EP2022PCA](#) [95000-106TRLF](#) [DF62W-2022SCA](#) [DF62W-EP2022PC](#) [2203348](#) [DF62W-2022SC](#) [1084018](#) [1029039](#) [1084017](#) [802-10-012-10-002000](#) [1112640](#) [1112639](#) [000-34000](#) [0009482033](#) [0009507031](#) [57102-S06-03LF](#) [57202-S52-04LF](#) [PCN6-15S-2.5E](#) [0039019024](#) [58102-G61-06LF](#) [582553-1](#) [0009485154](#) [0009508121](#) [0022285053](#) [0050291907](#) [018731A](#) [LY20-4P-DT1-P1E-BR](#) [02.125.8002.8](#) [60101931](#) [60598-1 \(Cut Strip\)](#) [M1625-3R/100](#) [61062-3](#) [61082-181009](#) [636-1427](#) [638009-1](#) [641938-9](#) [641991-4](#) [644168-1](#) [647662-1](#) [65039-019ELF](#) [65781-018](#) [65781-047](#) [65817-002LF](#) [65817-015LF](#) [65863-015LF](#) [66207-023LF](#) [67016-026LF](#) [67046-001LF](#)