

Horns

Vibrating

870 Series

The 870 Series surface mount vibrating horns are low-current, high decibel horns for heavy-duty indoor use. Supplied complete with mounting plate for easy installation.

Features and Specifications

- Corrosion resistant finish
- Volume adjustable
- Completely assembled
- Heavy duty die-cast housing
- Operating range: -20% to +10% of nominal voltage
- Projects only 2" (51mm) from mounting surface

874 AC

- Adjustable output: 88 to 113dB @ 1m (78 to 103dB @ 10ft.)
- 400 hour rating at 50% duty cycle
- FM Approved

875 DC

- Adjustable output: 88 to 111dB @ 1m (78 to 101dB @ 10ft.)



Ordering Information

Description	Cat. No.	Operating Voltage ²	Current	VA	dB at 1m/10ft. ¹	DC Coil Res (Ohms)
Surface Mount, AC	874-E5	12V AC	1.25 A	15.0	113/103	1.5
	874-G5	24V AC	0.63 A	15.1	113/103	5.2
	874-N5 ³	120V AC	0.13 A	15.6	113/103	150
	874-R5	240V AC	0.06 A	14.4	113/103	580
Surface Mount, DC	875-C1	6V DC	0.70 A	4.2	111/101	1.6
	875-E1	12V DC	0.27 A	3.2	111/101	6
	875-G1	24V DC	0.16 A	3.8	111/101	24
	875-P1	125V DC	0.025 A	3.1	111/101	600
	875-S1	250V DC	0.014 A	3.5	111/101	2640

¹Measured in anechoic chamber.

²AC voltage frequency is 50/60 Hz.

³Diode Polarized version available in red, order 884D-N5.

Accessories

Description	Cat. No.
Plastic Projector	872-PO

Signal Input Load Characteristics

These devices may be operated by PLCs with output characteristics that match the input load requirements of the signal.

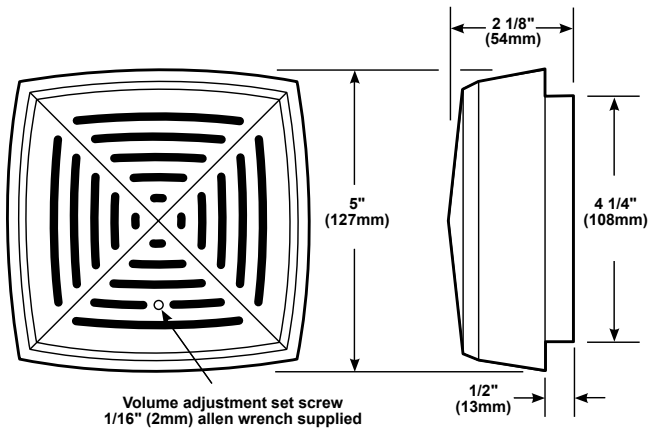
Cat. No.	Operating Voltage	Max. Off State Leakage Current (A)	Continuous On Current (A)	Surge (Inrush/Duration) Amps/Seconds
874-N5	120V AC	0.025	0.120	1.02/0.00026
875-G1	24V DC	0.025	0.150	1.7/0.00042



Horns Vibrating 870 Series

Weights and Dimensions

Cat. No.	Approx. Net Weight (lb.)	Approx. Shipping Weight (lb.)
874-E5	2.60	2.82
874-G5	2.60	2.82
874-N5	2.60	2.82
874-R5	2.60	2.82
875-C1	2.60	2.82
875-E1	2.60	2.82
875-G1	2.60	2.82
875-P1	2.60 </td <td>2.82</td>	2.82
875-S1	2.60	2.82
872-PO	0.34	0.58



Mounts on any single gang, 3 1/4" (83mm),
3 1/2" (89mm), 4" (102mm) octagon or 4" (102mm) square box.

X-ON Electronics

Largest Supplier of Electrical and Electronic Components

Click to view similar products for [edwards signaling manufacturer](#):

Other Similar products are found below :

[105XBRIRBA120A](#) [E102A](#) [874-G5](#) [50LMP-40W](#) [92-ST](#) [125LEDFR120A](#) [115-Y](#) [113LMP-10W](#) [115-6Y-06K](#) [115-7Y-06K](#) [115-6Y-12K](#)
[1085T-G](#)