



# Heyco® -Tite Brass Liquid Tight Cordgrips

## PG Hubs

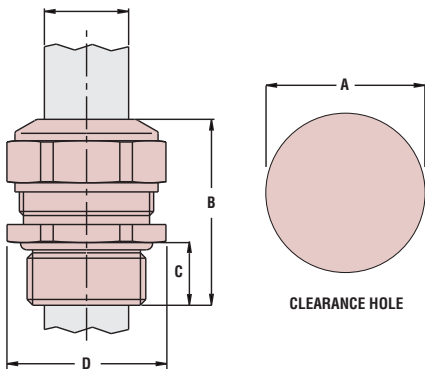
*The Ultimate in Liquid Tight Strain Relief Protection*

- **Nickel plated brass construction** for superior protection of flexible cables.
- Nickel-plated finish over brass provides excellent corrosion resistance and durability.
- IP 68 rated.
- For use in clearance or threaded holes.
- Long PG threads provide additional threads for easy locknut assembly.
- Multiple sizes for flexible cord diameters ranging from .138" (3,5 mm) to 1.654" (42,0 mm).
- We recommend using the smallest cordgrip that accommodates your cable size.
- Sealing gland is molded in Thermoplastic Polymer Elastomer (TPE) Material.
- **Locknuts not included.** For metal locknut specifications or to order locknuts separately, see page 3-40.

CABLE DIA. RANGE				PART NO.	THREAD SIZE	UL or IEC	PART DIMENSIONS							
Minimum		Maximum					A Clearance Hole Dia.		B Max. O.A. Length		C Thread Length		D Wrenching Nut Flat Size	
in.	mm.	in.	mm.				in.	mm.	in.	mm.	in.	mm.	in.	mm.
.138	3,5	.197	5,0	<b>4530</b>	PG 7	cULUS	.500	12,7	1.063	27,0	.394	10,0	.590	15,0
.197	5,0	.256	6,5	<b>4531</b>										
.256	6,5	.315	8,0	<b>4532</b>										
.256	6,5	.295	7,5	<b>4611*</b>	PG 7	cULUS	.500	12,7	.906	23,0	.236	6,0		
.138	3,5	.177	4,5	<b>4533</b>	PG 9	cULUS	.610	15,5	1.181	30,0	.394	10,0	.709	18,0
.177	4,5	.236	6,0	<b>4534</b>										
.236	6,0	.315	8,0	<b>4535</b>										
.315	8,0	.413	10,5	<b>4536</b>										
.157	4,0	.216	5,5	<b>4537</b>	PG 11	cULUS	.748	19,0	1.220	31,0	.394	10,0	.827	21,0
.216	5,5	.335	8,5	<b>4538</b>										
.335	8,5	.472	12,0	<b>4539</b>										
.236	6,0	.315	8,0	<b>4540</b>	PG 13.5	cULUS	.827	21,0	1.220	31,0	.394	10,0	.945	24,0
.315	8,0	.433	11,0	<b>4541</b>										
.433	11,0	.590	15,0	<b>4542</b>										
.236	6,0	.315	8,0	<b>4543</b>	PG 16	cULUS	.906	23,0	1.220	31,0	.394	10,0	.945	24,0
.315	8,0	.433	11,0	<b>4544</b>										
.433	11,0	.590	15,0	<b>4545</b>										
.374	9,5	.492	12,5	<b>4546</b>	PG 21	cULUS	1.142	29,0	1.457	37,0	.472	12,0	1.181	30,0
.492	12,5	.630	16,0	<b>4547</b>										
.630	16,0	.807	20,5	<b>4548</b>										
.630	16,0	.748	19,0	<b>4549</b>	PG 29	cULUS	1.476	37,5	1.575	40,0	.472	12,0	1.496	38,0
.748	19,0	.905	23,0	<b>4550</b>										
.905	23,0	1.083	27,5	<b>4551</b>										
.846	21,5	1.024	26,0	<b>4552</b>	PG 36	cULUS	1.858	47,2	1.850	47,0	.591	15,0	1.969	50,0
1.024	26,0	1.201	30,5	<b>4553</b>										
1.201	30,5	1.378	35,0	<b>4554</b>										
1.142	29,0	1.299	33,0	<b>4555</b>	PG 42	cULUS	2.138	54,3	1.929	49,0	.591	15,0	2.156	55,0
1.299	33,0	1.457	37,0	<b>4556</b>										
1.457	37,0	1.654	42,0	<b>4557</b>										



\*Short .236" (6,0 mm) thread



*Quick Specs*

<b>Material</b>	Nickel-Plated Brass w/TPE Sealing Gland
<b>Certifications</b>	cULUS Certified by UL for Compliance with both Canadian and U.S. requirements under File E51579. cULUS Recognized under the Component Program of Underwriters' Laboratories File E51579 to both Canadian and U.S. requirements.
<b>Temperature Rating</b>	-40°F (-40°C) to 212°F (100°C)
<b>IP Rating</b>	IP 68, IP 69K

## X-ON Electronics

Largest Supplier of Electrical and Electronic Components

*Click to view similar products for [Cable Mounting & Accessories](#) category:*

*Click to view products by [Durakool](#) manufacturer:*

Other Similar products are found below :

[HP-4N](#) [582603-1](#) [009333-000](#) [727844N003](#) [809090N001](#) [8109](#) [843188-000](#) [843459N001](#) [843460N003](#) [8666](#) [967279N002](#) [GPQC1/0](#) [DB-11](#) [1300830208](#) [1300840039](#) [1300900026](#) [1300990052](#) [1301740005](#) [1301800121](#) [1301800416](#) [1300830184](#) [1300990149](#) [1301580036](#) [1301720103](#) [1301720135](#) [1301720152](#) [1301720157](#) [1301740009](#) [1301770011](#) [1301850553](#) [1301860939](#) [1302000074](#) [1302264431](#) [1337706-2](#) [APA18-AK](#) [MTX6UTPSRC-C](#) [1-787307-1](#) [185491N001](#) [HP-6N](#) [C-202-C](#) [202C221-13-0](#) [OMTM-S10-C0](#) [205339-4](#) [CA7308-000](#) [8S23-75FR-CS8184](#) [2684](#) [9648](#) [3089](#) [988382-000](#) [A0270164](#)