



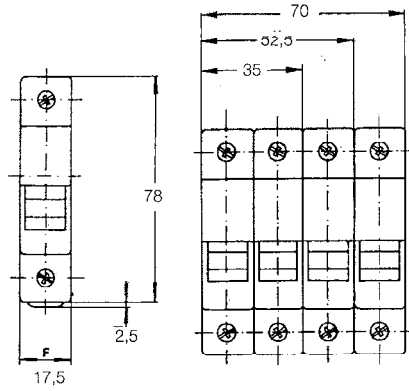
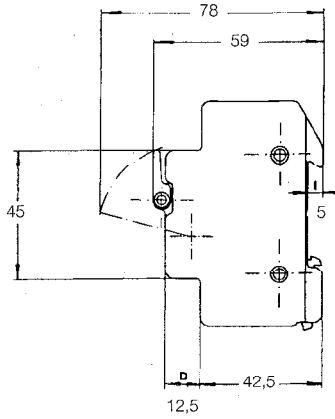
# Blocks & Holders



French Ferrule Fuses

## Modular fuse holders

**MSC**



- Blown fuse indicator (120/690V)
- Cable size:
  - unipolar: 1 x 16mm<sup>2</sup>
  - unipolar + neutre: 1 x 10 mm<sup>2</sup>
- Provision for locking in versions without indicator.
- IP20



Poles	CATALOG NUMBER		REFERENCE NUMBER		N. Mod. (17,5 mm)	Packing
	Standard	+ indicator	Standard	+ indicator		

### MSC 8: Fuse 8x31

In max: 25A ; Vn max: 400V

1	24002	24004	T219253	F222461	1	12
1 + N	24010		B211049		2	6
2	24012		H212604		2	6
3	24014		W213620		3	4
3 + N	24016		C214638		4	3
4	24019		Q216168		4	3
N	24000		Q218215		1	12

Phase + neutral (1mod.)

1 + N	24006	24008	F200772	X201316	1	12
3 + N	24018		J215150		3	4

### MSC 10: Fuse 10x38

In max: 32A; Vn max: 690V

1	24202	24204	Q216674	W219784	1	12
1 + N	24210		C212085		2	6
2	24212	24213	E213122	K215151	2	6
3	24214		M215659		3	4
3 + N	24216		E217193		4	3
4	24219		F218735		4	3
N	24000		Q218215		1	12

Phase + neutral (1mod.)

1 + N	24206	24208	Y201317	C211050	2	12
3 + N	24218		S218217		3	4

### Assembly pin

Poles	CATALOG NUMBER	REFERENCE NUMBER	Packing
2	14030	G215125	10
3	14031	Q216145	10
4	14032	A217166	10

Standards: IEC 269-2-1/947. NFC 63.001/63.210. UNE 21103-2-1. 269-2-1. 947-3  
Approvals: Bureau Veritas / Lloyd's Register of Shipping

Fuses: See General Purpose Fuses, French Ferrule



# Blocks & Holders



French Ferrule Fuses

## Technical features - modular fuse holders

Fuse-link table I max. / Vn

Type	Fuse	In max.					Torque Maxi N.m.
		250	400	500	600	690	
CC	CC. 8	8 x 31		25A			2
	CC. 10	10 x 38		32A	25A		2
	CC. 14	14 x 51		50A	32A	25A	3,5
	CC. 22	22 x 58		125A	100A	80A	4
CCR	CCR. 8	8 x 31		25A			2
	CCR. 10	10 x 38		32A	25A		
MSC	MSC. 8	8 x 31		25A			2
	MSC. 10	10 x 38		32A	25A		
MSD	MSD (8x23)	8 x 23	10A				
	MSD (8x31)	8 x 31		20A			
	MSD (10x25)	10 x 25	16A				2
	MSD (10x31)	10 x 31		25A			
	MSD (10x38)	10 x 38		32A			
CMS	CMS. 14	14 x 51		50A	32A	25A	3,5
	CMS. 22	22 x 58		125A	100A	80A	4,5
MSM	MSM	5 x 20	16A				2

### Application coefficient of multipolar fuse-links

N. mod (17,5 mm)	Fuse-link I max.
1 - 2 - 3	In
4 - 5 - 6	0,8 x In
7 - 8 - 9	0,7 x In
> 10	0,6 x In

### Correction of available current based on temperature

Temperature	Available x In
20°C	1
30°C	0,95
40°C	0,9
50°C	0,8





# Blocks & Holders



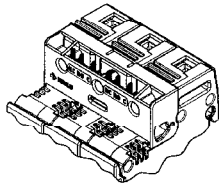
French Ferrule Fuses

## Technical features - CMS

### Microswitch options

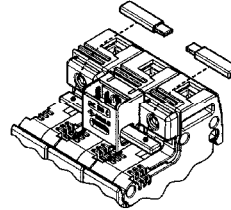
Ref. Number CMS 14 (D219791) • Art. N° CMS 22 (B212613)

2 microswitches



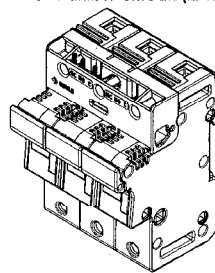
Ref. Number CMS 14 (M218741+F213629)  
Ref. Number CMS 22 (M218741+F213629)

1 microswitch



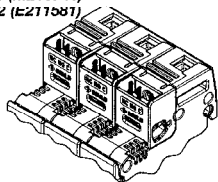
Ref. Number CMS 14 (C219261)  
Ref. Number CMS 22 (L212090)

1 microswitch



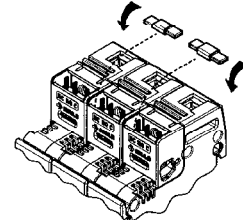
Ref. Number CMS 14 (M218741)  
Ref. Number CMS 22 (E211581)

3 independent  
microswitches



Ref. Number CMS 14 (M218741+J214138)  
Ref. Number CMS 22 (E211581+J214138)

3 mechanically  
interconnected  
microswitches

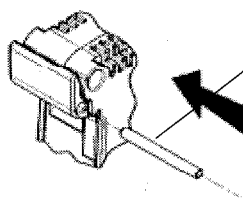


### Fuse holder assembly

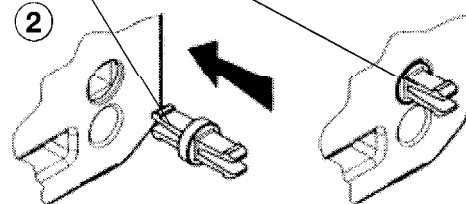
Ref. Number CMS 14/22 (Z218223)

Z218223

①

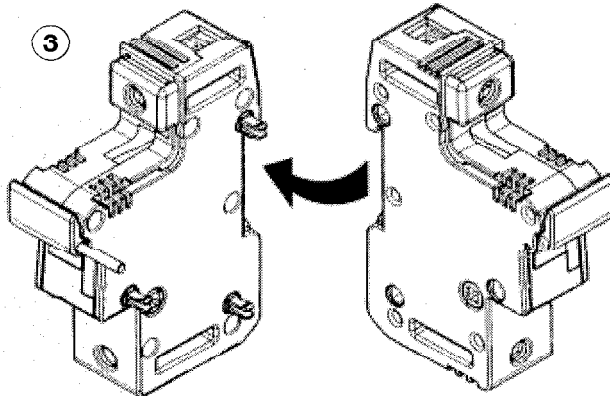


②

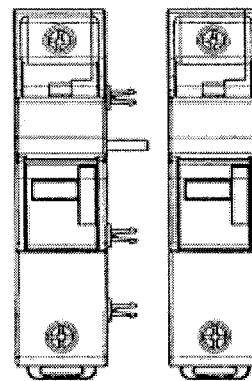


CLICK!

③



④



CLICK!



# Blocks & Holders



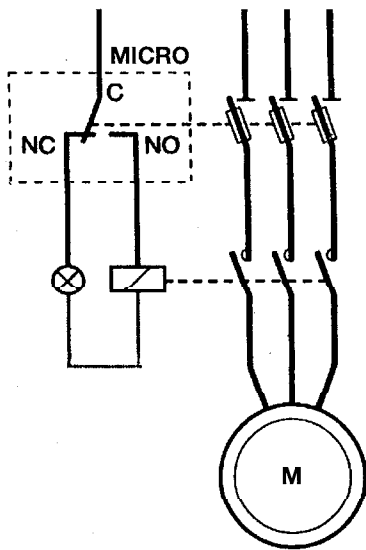
French Ferrule Fuses

## Technical features - CMS

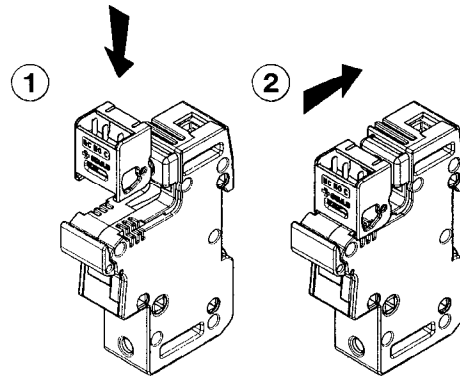
### Microswitch mounting instructions (\*)

Reference Number CMS 14 (M218/41 / G219261 / D219791)

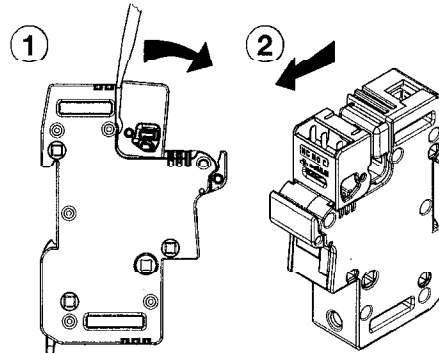
Reference Number CMS 22 (E211581 / L212093 / B212613)



#### Assembly



#### Disassembly



### Auxilliary microswitch caracteristics

Minimum voltage and current for operation: 10VAC/DC 100mA

#### (\*)Microswitch functions

**Blown fuse:** Fuse holder containing fuse with striker sends message when fuse blown

**Prebreaking:** When fuse holder opens

**Presence:** Sends message or not depending on fuse presence

Nominal current and interrupting rating(1) at 250V	6A	AC12
	3A	AC13
	0,3A	AC14
	0,1A	DC12/13/14

Nominal current and interrupting rating(1) at 2 and 24 V	6A	DC12/DC13
	5A	AC13
	2A	AC14/DC13
	0,6A	DC14

(1) According IEC947-5 standard



# Blocks & Holders



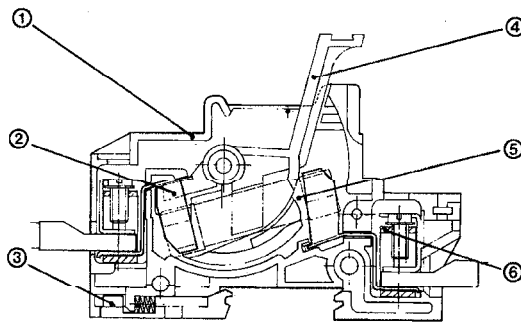
## French Ferrule Fuses

### Modular fuse holders

# MS

**MS Modular fuse base**  
for industrial cylindrical fuse-links

**Note:**  
In 2001, these products will be cross-referenced to MSC10, CMS14 and CMS22 (see previous pages)



- 1 Base
- 2 Contact
- 3 Slide
- 4 Handle
- 5 Fuse-link
- 6 Bolt

**Material:**  
 Handle: Thermal polyester (PU)  
 Base: Highly temperature resistant polyamide.  
 Self-extinguishable.  
 Contacts: Silver-plated.  
 Protection Index: IP 20  
 Live parts inaccessible.

**MS fuse holder operations**  
 with:

- Fuse indicator (250/690V~)  
 Indicator lights up when:
  - Fuse melts
  - No fuse-link
- Reversing microswitch 5A-250V~  
 The microswitch operates:
  - When fuse-link absent
  - When fuse base open
  - By trip-indicator action

Type	Fuse base In. (*)	Fuse-link	Fuse-link max.		
			400 V~	500 V~	690 V~
MS. 10	32A	10 x 38	32A	25A	-
MS. 14	50A	14 x 51	50A	40A	25A
MS. 22	125A	22 x 58	125A	100A	80A

(\*) In intermittent operation  
Do not open under load

**Standards:**  
 CEI 269-2-1, 947-3  
 NFC 63210 - 63001  
 VDE 0636 - 1  
 UNE 20129 - 21103

**Approvals:**  
 Lloyd's Register of Shipping  
 bureau veritas

## X-ON Electronics

Largest Supplier of Electrical and Electronic Components

*Click to view similar products for [mersen](#) manufacturer:*

Other Similar products are found below :

[HE-54](#) [RT3625B02500](#) [RT3835C00000](#) [RT7180U00000](#) [J212091](#) [A50QS200-4](#) [A331016F](#) [A70QS400-4](#) [RT3840C00000](#) [A50QS300-4](#)  
[A70QS200-4](#) [66344-72.0](#) [A50QS50-4](#) [ATDR10](#) [6,9URD30TTF0500](#) [A50QS150-4](#) [A50QS250-4](#) [A50QS350-4](#) [A70QS250-4](#) [DCT20-SB](#)  
[DCT10-SB](#) [C215650](#) [RT3610B02500](#) [RT3850C00000](#) [RT3860C00000](#) [RT7080U00000](#) [RT7102U00000](#) [RT7110U00000](#) [RT3855C00000](#)  
[RT7104U00000](#) [S218194](#) [ATDR1](#) [T331079](#) [RT3810B02500](#) [F222208](#) [RT7010U00000](#) [RT5235B00000](#) [RT5240B00000](#) [F214618](#) [A214107](#)  
[RT3325B02500](#) [RT5553B00000](#) [RT5660B00000](#) [RT3845C00000](#) [RT3115B02500](#) [RT5035B00000](#) [RT1250B00000](#) [RT3120B02500](#)  
[RT3410B02500](#) [RT3720B02500](#)