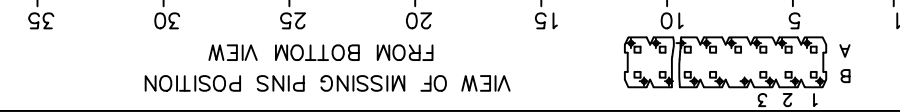




mat'l. code	ISO 1302	ISO 406 ISO 1101	projection	product family	BSTK
litr ecn no	date	tolerances unless otherwise specified			title
V	F-22417	JUU	15.11.05	angles	
				linear	
				scale/n/A	
P	F05-0291	JCO	05.11.14		
R	F06-0196	LMU	06.06.20	dr	O. MATHEVON 96.06.07
S	F12-0043	LMU	12.05.02	engr	JMC 96.06.07
T	B-19776	AMA	14.12.18	chr	JMC 96.06.07
U	B-21151	AMA	15.06.15	apppd	JMC 96.06.07
sheet revision	index sheet				

type	CUSTOMER	dwg no	87690	sheet 2 of -	size	A3
HEADER STR, DR			DOUBLE BODY POL			

PRODUCT NUMBER	NBR	"A"	"E"	"B"	("L")	("M")	("N")	PRODUCT DIMENSIONS		
								1	2	3
87690-X07	2x10	11.96	18.5	3.2	33.66	25.4	22.86	10	5	1
87690-X10	2x10	11.96	18.5	3.2	33.66	25.4	22.86	10	5	1
87690-X15	2x07	11.96	18.5	3.2	33.66	17.78	15.24	10	5	1
87690-X18	2x09	4.95	6.00	4.95	15.90	22.86	20.82	10	5	1
87690-X19	2x09	8.60	6.00	8.60	23.20	22.86	20.82	10	5	1
87690-X20	2x10	6.00	14.70	3.30	24.00	25.4	22.86	10	5	1
87690-X21	2x19	6.00	14.70	3.30	24.00	48.26	45.72	10	5	1
87690-X22	2x13	10.50	7.75	10.50	28.80	33.02	30.48	10	5	1
87690-X23	2x14	8.60	6.00	8.60	23.20	35.56	33.02	10	5	1
87690-X24	2x14	8.95	6.00	8.95	23.9	35.56	33.02	10	5	1



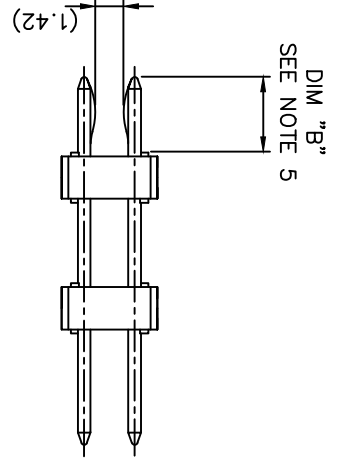
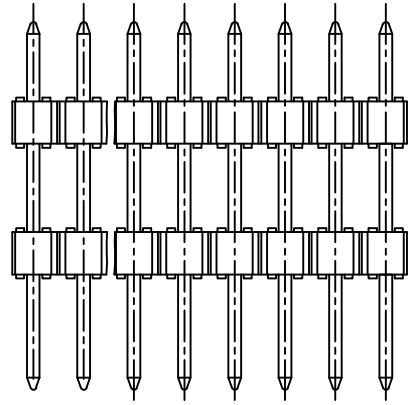
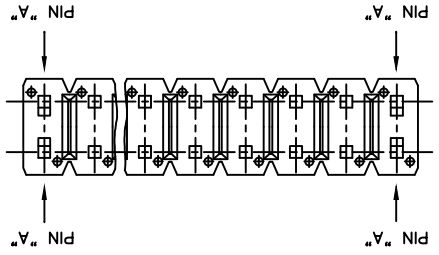
6 5 4 3 2 1 6 5 4 3 2 1



FCJconnect.com

Copyright FCJ

form: A3



- NOTES:
- 1 - PART NUMBER 87690-YYX
  - 2 - PINS "A" USED FOR RETENTION.
  - 3 - DIRECTION OF RETENTION SHOWN BY ARROWS.
  - 4 - KINKED LEGS LOCATION CAN BE MOVED IF A PIN IS MISSING.
  - 5 - RETENTION VERSION ONLY AVAILABLE WHEN DIM"B" IS BETWEEN 2.9 mm AND 3.5 mm.
  - 6 - 2 AND 3 POSN KINKED HEADER ARE NOT AVAILABLE.

mat'l. code	surface	tolerance	ISO 1302	ISO 406 ISO 1001	projection	product family	BSTK	
litr ecn no	dr	date	tolerances unless otherwise specified				title	
A	F60421	OMA	96.06.07	angles	linear	mm	HEADER STR, DR	
B	70102	JMC	97.01.10				DOUBLE BODY POL	
C	F7019	JMC	97.03.28	scaleN/A			87690	
D	F70815	OMA	97.12.23	dr			87690	
E	F80321	JMC	98.05.04	engr			87690	
F	F05-0291	JCO	05.11.14	chr			87690	
G	F06-0196	LMU	06.06.20	dppd			87690	
sheet revision	index sheet							

6	5	4	3	2	1
---	---	---	---	---	---

## X-ON Electronics

Largest Supplier of Electrical and Electronic Components

*Click to view similar products for [Headers & Wire Housings](#) category:*

*Click to view products by [FCT Electronics](#) manufacturer:*

Other Similar products are found below :

[95000-104TRLF](#) [10135584-644402LF](#) [DF62W-EP2022PCA](#) [95000-106TRLF](#) [DF62W-2022SCA](#) [DF62W-EP2022PC](#) [2203348](#) [DF62W-2022SC](#) [1084018](#) [1029039](#) [1084017](#) [802-10-012-10-002000](#) [1112640](#) [1112639](#) [891-007-9SS-BST1T](#) [000-34000](#) [0008550134](#) [0009482033](#) [0009507031](#) [57102-F02-18ULF](#) [57102-S06-03LF](#) [57202-S52-04LF](#) [PCN6-15S-2.5E](#) [0039019024](#) [58102-G61-06LF](#) [582553-1](#) [0009485154](#) [0009508121](#) [009176003701906](#) [0022285053](#) [0050291907](#) [018731A](#) [LY20-4P-DT1-P1E-BR](#) [02.125.8002.8](#) [60101931](#) [60598-1 \(Cut Strip\)](#) [M1625-3R/100](#) [61062-3](#) [61082-181009](#) [CSU011177004](#) [636-1427](#) [638009-1](#) [641938-9](#) [641991-4](#) [644168-1](#) [644827-2](#) [647662-1](#) [65039-019ELF](#) [65692-001LF](#) [65781-018](#)