

## 60D Series T1250-002 In-line Switch Mode Power Supply Unit

### INPUT

	MINIMUM	NORMAL	MAXIMUM
AC Input Voltage	96V AC	100 – 240V AC	264V AC
AC Input Frequency	47 Hz	50 / 60 Hz	63 Hz
AC Input Current – 115V AC (max)			1.5A
AC Input Current – 230V AC (max)			0.8A
AC Inrush Current* – 115V AC, 60Hz	No damage shall occur and the input fuse shall not blow.		
AC Inrush Current* – 230V AC, 50Hz			
Primary current protection	An internal fuse on the AC input line is provided.		
Configuration	3-conductors, <Active, Neutral, Earth>		

\* At full-load, 25°C, cold start.

### Power consumption at no load (maximum)

Input 240V AC 50 Hz	0.75W max
---------------------	-----------

### OUTPUT

Normal DC Output Voltage	+12.0V
Minimum Load Current	0.0A
Maximum Load Current	5.0A
Maximum Output Power	60W
Ripple and Noise *	200mV
Efficiency (min) **	80%
Over-current protection (max)	8A with auto-recovery
Total Output Regulation	+/- 5%
Dynamic Load Regulation ***	+/- 5%
Short-circuit protection	No damage when shorting the DC output to ground.
Open-circuit protection	When primary power is applied with no load on any output level, no damage or hazardous conditions should occur.
Drop-out	With half cycle input voltage drop-out, the unit shall meet the regulation requirement and operate within the prescribed voltages with a drop-out pulse repetition rate of 500mS under full load and with normal AC input voltage.

\* Voltage measured P-P at 20MHz and output parallel with 0.1uF & 47uF capacitor to ground. Temperature at 25°C and normal AC input voltage.

\*\* At normal input voltage and full load.

\*\*\* For 50%~100%~50% load change at any frequency up to 250Hz with 50% duty.

### MECHANICAL

Dimensions	120(L) x 56.4(W) x 33.2(H)mm maximum.
Weight	350g maximum.
240V Mains Inlet	IEC-C14 3-pin 3-conductors, <Active, Neutral, Earth>
Output Cord	Wire: SPT-1, VW-1, 18AWG, 1828mm.
Output Plug	11(L) x 5.5(D) x 2.5(ID)mm

## 60D Series T1250-002 In-line Switch Mode Power Supply Unit

### ENVIRONMENTAL

Cooling	Natural convection.
Operating Temperature	0°C to +40°C
Storage Temperature	-40°C to +60°C
Operating Humidity	20 ~ 85 % RH. Non-condensing
Storage Humidity	5 ~ 95 % RH. Non-condensing

### SAFETY

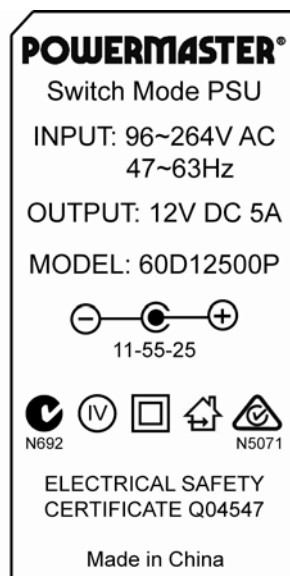
Dielectric withstanding voltage test (Hi-pot test)	1,500V AC, 10mA, 1 minute (Primary to Secondary) 1,500V AC, 10mA, 1 minute (Primary to FG)
Insulation Resistance	> 100MΩ at 500V DC between Primary Active, Neutral line and secondary.
Leakage Current	0.5mA maximum at normal AC input voltage and frequency

Australian Certificate of Approval (Electrical Safety) Q04547

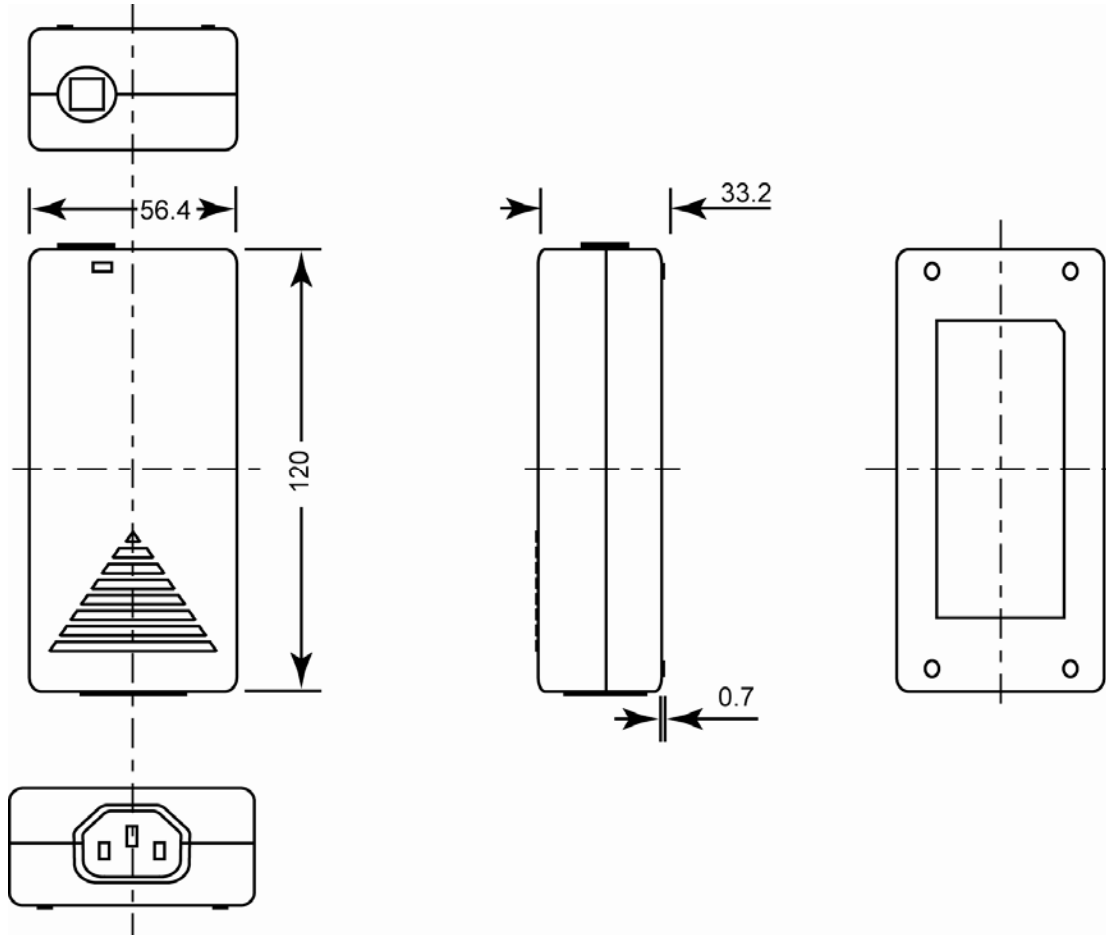
### RELIABILITY

Mean Time Between Failure (MTBF)	The power supply is designed to have a MTBF of 50,000 operating hours at nominal AC input voltage, 80% full load and 25°C ambient temperature.
Burn-in Test	4 hours at 40°C +/- 5°C, normal input voltage, 80% of maximum load.

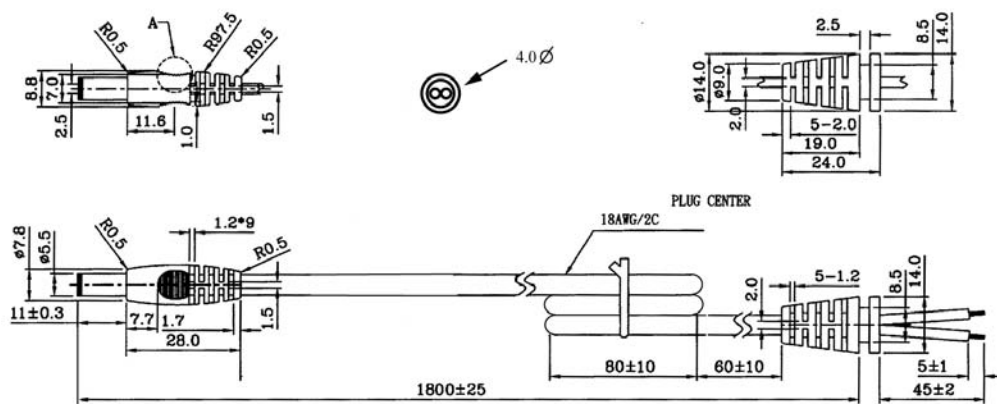
### RATING PLATE



**PRODUCT OUTLINE DRAWING**



**DC OUTPUT CORD DRAWING**



## **X-ON Electronics**

Largest Supplier of Electrical and Electronic Components

*Click to view similar products for [access communications manufacturer](#):*

Other Similar products are found below :

[T1212-150](#) [Y9211](#) [K3754ORA](#) [K3744-015](#) [W2685RED](#) [W2652ASH](#) [W2682RED](#) [K3792](#) [K3743-050](#) [K3749](#) [K37557ORA](#) [K3759](#) [K3759-005](#) [T1210-21J](#) [P2163](#) [K3759-001](#) [K3791](#) [K3745](#) [W2650BLU](#) [K3762](#) [P2210](#) [K3781](#) [K3748ORA](#) [K3750](#) [P2124](#)