

Snap Switches Capable of 15 A Switching

T-15 SERIES SWITCHES

12 dia.

Toggle
Push-
button

Square
hole

Rocker



RoHS compliant

FEATURES

- Series includes rocker and push-button switches.
- Sealed type available for use in different environments.
- Rubber cap also available in silicon type for excellent weather resistance.

These switches are only for Industrial use.
Do not use any other applications. (ex. home use)

ASSORTMENT

| Kind of actuator | Standard type | Sealed type | | | Number of pole | | | | Shape of terminal | | | |
|------------------|---------------|-------------------|----------------------|-----------------|----------------|-----------|-------------|-------------|-------------------|----------------|-----------------------------|-------------|
| | | Panel-sealed type | Terminal-sealed type | Wire leads type | 1P | 2P | 3P | 4P | Solder terminal | Screw terminal | .250 Quick-connect terminal | Wire lead |
| Toggle type | Available | Available | Available | Available | Available | Available | Available*1 | Available*1 | Available | Available | Available*1 | Available*2 |
| Rocker type | Available | Available | Available | Available | Available | Available | — | — | Available | Available | — | Available*2 |
| Push-button type | Available | Available | — | — | Available | Available | — | — | Available | Available | — | — |

Notes: *1: Only standard type
*2: Only wire leads type

TOGGLE TYPES



■ Standard type

1) Solder terminal and .250 Quick-connect terminal

| Number of poles | Kind of operation < >: Momentary position | Solder terminal | .250 Quick-connect terminal |
|-----------------|----------------------------------------------|-----------------|-----------------------------|
| | | Part No. | Part No. |
| 1-pole | ON-OFF | T115A-F | T115A-AF |
| | ON-ON | T115D-F | T115D-AF |
| | ON-OFF-ON | T115E-F | T115E-AF |
| | ON-<ON> | T115F-F | T115F-AF |
| | <ON>-OFF-<ON> | T115G-F | T115G-AF |
| | ON-OFF-<ON> | T115H-F | T115H-AF |
| 2-pole | ON-OFF | T215K-F | T215K-AF |
| | ON-ON | T215N-F | T215N-AF |
| | ON-OFF-ON | T215P-F | T215P-AF |
| | ON-<ON> | T215R-F | T215R-AF |
| | <ON>-OFF-<ON> | T215S-F | T215S-AF |
| | ON-OFF-<ON> | T215T-F | T215T-AF |
| 3-pole | ON-OFF | T315K-F | T315K-AF |
| | ON-ON | T315N-F | T315N-AF |
| | ON-OFF-ON | T315P-F | T315P-AF |
| 4-pole | ON-OFF | T415K-F | T415K-AF |
| | ON-ON | T415N-F | T415N-AF |
| | ON-OFF-ON | T415P-F | T415P-AF |

Note: Standard installation accessories are included with the product.

T-15 Series Switches

2) Screw terminal

| Number of poles | Kind of operation < >: Momentary position | Screw terminal |
|-----------------|----------------------------------------------|----------------|
| | | Part No. |
| 1-pole | ON-OFF | T115A-SF |
| | ON-ON | T115D-SF |
| | ON-OFF-ON | T115E-SF |
| | ON-<ON> | T115F-SF |
| | <ON>-OFF-<ON> | T115G-SF |
| | ON-OFF-<ON> | T115H-SF |
| 2-pole | ON-OFF | T215K-SF |
| | ON-ON | T215N-SF |
| | ON-OFF-ON | T215P-SF |
| | ON-<ON> | T215R-SF |
| | <ON>-OFF-<ON> | T215S-SF |
| | ON-OFF-<ON> | T215T-SF |
| 3-pole | ON-OFF | T315K-SF |
| | ON-ON | T315N-SF |
| | ON-OFF-ON | T315P-SF |
| 4-pole | ON-OFF | T415K-SF |
| | ON-ON | T415N-SF |
| | ON-OFF-ON | T415P-SF |

Note: Standard installation accessories are included with the product.

■ Panel-sealed type

1) Solder terminal

| Number of poles | Kind of operation < >: Momentary position | Solder terminal |
|-----------------|----------------------------------------------|-----------------|
| | | Part No. |
| 1-pole | ON-OFF | TP115A-F |
| | ON-ON | TP115D-F |
| | ON-OFF-ON | TP115E-F |
| | ON-<ON> | TP115F-F |
| | <ON>-OFF-<ON> | TP115G-F |
| | ON-OFF-<ON> | TP115H-F |
| 2-pole | ON-OFF | TP215K-F |
| | ON-ON | TP215N-F |
| | ON-OFF-ON | TP215P-F |
| | ON-<ON> | TP215R-F |
| | <ON>-OFF-<ON> | TP215S-F |
| | ON-OFF-<ON> | TP215T-F |

2) Screw terminal

| Number of poles | Kind of operation < >: Momentary position | Screw terminal |
|-----------------|----------------------------------------------|----------------|
| | | Part No. |
| 1-pole | ON-OFF | TP115A-SF |
| | ON-ON | TP115D-SF |
| | ON-OFF-ON | TP115E-SF |
| | ON-<ON> | TP115F-SF |
| | <ON>-OFF-<ON> | TP115G-SF |
| | ON-OFF-<ON> | TP115H-SF |
| 2-pole | ON-OFF | TP215K-SF |
| | ON-ON | TP215N-SF |
| | ON-OFF-ON | TP215P-SF |
| | ON-<ON> | TP215R-SF |
| | <ON>-OFF-<ON> | TP215S-SF |
| | ON-OFF-<ON> | TP215T-SF |

Note: Of the standard installation accessories that come with the product, the front hex nut and lock washer are included.

■ Terminal-sealed type

1) Solder terminal

| Number of poles | Kind of operation < >: Momentary position | Solder terminal |
|-----------------|----------------------------------------------|-----------------|
| | | Part No. |
| 1-pole | ON-OFF | TD115A-F |
| | ON-ON | TD115D-F |
| | ON-OFF-ON | TD115E-F |
| | ON-<ON> | TD115F-F |
| | <ON>-OFF-<ON> | TD115G-F |
| | ON-OFF-<ON> | TD115H-F |
| 2-pole | ON-OFF | TD215K-F |
| | ON-ON | TD215N-F |
| | ON-OFF-ON | TD215P-F |
| | ON-<ON> | TD215R-F |
| | <ON>-OFF-<ON> | TD215S-F |
| | ON-OFF-<ON> | TD215T-F |

Note: Of the standard installation accessories that come with the product, the front hex nut and lock washer are included.

2) Screw terminal

| Number of poles | Kind of operation < >: Momentary position | Screw terminal |
|-----------------|----------------------------------------------|----------------|
| | | Part No. |
| 1-pole | ON-OFF | TD115A-SF |
| | ON-ON | TD115D-SF |
| | ON-OFF-ON | TD115E-SF |
| | ON-<ON> | TD115F-SF |
| | <ON>-OFF-<ON> | TD115G-SF |
| | ON-OFF-<ON> | TD115H-SF |
| 2-pole | ON-OFF | TD215K-SF |
| | ON-ON | TD215N-SF |
| | ON-OFF-ON | TD215P-SF |
| | ON-<ON> | TD215R-SF |
| | <ON>-OFF-<ON> | TD215S-SF |
| | ON-OFF-<ON> | TD215T-SF |

Note: Of the standard installation accessories that come with the part, the front hex nut and lock washer are included.

■ Wire lead type

| Number of poles | Kind of operation < >: Momentary position | Wire lead type |
|-----------------|----------------------------------------------|----------------|
| | | Part No. |
| 1-pole | ON-OFF | TC115A-F |
| | ON-ON | TC115D-F |
| | ON-OFF-ON | TC115E-F |
| | ON-<ON> | TC115F-F |
| | <ON>-OFF-<ON> | TC115G-F |
| | ON-OFF-<ON> | TC115H-F |
| 2-pole | ON-OFF | TC215K-F |
| | ON-ON | TC215N-F |
| | ON-OFF-ON | TC215P-F |
| | ON-<ON> | TC215R-F |
| | <ON>-OFF-<ON> | TC215S-F |
| | ON-OFF-<ON> | TC215T-F |

Notes: 1. Standard installation accessories are included with the product.

2. 300 V vinyl wire (VSF, thick: 2 mm², length: 200 mm) is used. Please inquire about type and different length of lead wire.

T-15 Series Switches

■ Accessories

1) Installation accessories (Repair parts)

| Product name | Standard installation accessories | | | | Optional installation accessories |
|--------------------------|-----------------------------------|-------------------------------------|---------------|-------------|------------------------------------|
| | Front hex nut (Nickel plated) | Back hex nut (Uni-chrome plated) | Keying washer | Lock washer | Front Knurl nut (Nickel plated) |
| Dimensions (Unit: mm) | | | | | |
| Part No. | AJ3081 | AJ3082 | AJ3083 | AJ3084 | AJ3080 |

Note: A selling unit of each accessory is 10 pieces.

• Using the different rubber caps

We recommend silicon rubber and EP rubber caps for the following applications.

1) Silicon rubber type

- When it is necessary to differentiate by color.
- When using in applications that require resistance to heat and cold. Ambient temperature: -25°C to +85°C (EP rubber type is 0°C to +40°C.)
- When compactness is required.

2) EP rubber type

When cost is the primary consideration.

2) Accessories (Option)

| Product name | Indication plate (aluminum) (Note 3) | | Rubber cap (Note 1, 2, 4) | |
|--------------------------|--------------------------------------|--------|---------------------------|----------------------|
| | ON-OFF | ON-ON | EP rubber type | Silicone rubber type |
| Dimensions (Unit: mm) | | | | |
| Part No. | WD1901 | WD1902 | WD1911 | WD1811* |

- Notes: 1. The asterisk "*" in the part number WD1811* for the silicon rubber type rubber cap is where the letter representing the color should be inserted. (B: black; R: red; Z: grey; Y: yellow; G: green.)
 2. EP rubber cap is available in black only.
 3. Letters on the display panel are aluminum colored and the area surrounding the letters is black.
 4. Indication plate and rubber cap are compatible with the T-15 series switch, T-10 series switch, and T-03/T-06 series switches (when plate thickness is 2.7 mm or less).

ROCKER TYPES



■ Standard type

1) Solder terminal, without indication on actuator

| Number of poles | Kind of operation < >: Momentary position | Solder terminal |
|-----------------|----------------------------------------------|-----------------|
| | | Part No. |
| 1-pole | ON-OFF | TR115A-*F |
| | ON-ON | TR115D-*F |
| | ON-OFF-ON | TR115E-*F |
| | ON-<ON> | TR115F-*F |
| | <ON>-OFF-<ON> | TR115G-*F |
| 2-pole | ON-OFF-<ON> | TR115H-*F |
| | ON-OFF | TR215K-*F |
| | ON-ON | TR215N-*F |
| | ON-OFF-ON | TR215P-*F |
| | ON-<ON> | TR215R-*F |
| <ON>-OFF-<ON> | TR215S-*F | |
| ON-OFF-<ON> | TR215T-*F | |

2) Screw terminal, without indication on actuator

| Number of poles | Kind of operation < >: Momentary position | Screw terminal |
|-----------------|----------------------------------------------|----------------|
| | | Part No. |
| 1-pole | ON-OFF | TR115A-S*F |
| | ON-ON | TR115D-S*F |
| | ON-OFF-ON | TR115E-S*F |
| | ON-<ON> | TR115F-S*F |
| | <ON>-OFF-<ON> | TR115G-S*F |
| | ON-OFF-<ON> | TR115H-S*F |
| 2-pole | ON-OFF | TR215K-S*F |
| | ON-ON | TR215N-S*F |
| | ON-OFF-ON | TR215P-S*F |
| | ON-<ON> | TR215R-S*F |
| | <ON>-OFF-<ON> | TR215S-S*F |
| | ON-OFF-<ON> | TR215T-S*F |

3) Solder terminal, with ON-OFF indication on actuator

| Number of poles | Kind of operation < >: Momentary position | Solder terminal |
|-----------------|----------------------------------------------|-----------------|
| | | Part No. |
| 1-pole | ON-OFF | TR115A-*F |
| 2-pole | ON-OFF | TR215K-*F |

Note: Please specify the actuator color by replacing the asterisk "*" in the part number with appropriate letter. (B: black; W: white; R: red; Z: dark grey)

4) Screw terminal, with ON-OFF indication on actuator

| Number of poles | Kind of operation < >: Momentary position | Screw terminal |
|-----------------|----------------------------------------------|----------------|
| | | Part No. |
| 1-pole | ON-OFF | TR115A-S*F |
| 2-pole | ON-OFF | TR215K-S*F |

Note: Please specify the actuator color by replacing the asterisk "*" in the part number with appropriate letter. (B: black; W: white; R: red; Z: dark grey)

■ Panel-sealed type

1) Solder terminal, without indication on actuator

| Number of poles | Kind of operation < >: Momentary position | Solder terminal |
|-----------------|----------------------------------------------|-----------------|
| | | Part No. |
| 1-pole | ON-OFF | TRP115A-*F |
| | ON-ON | TRP115D-*F |
| | ON-OFF-ON | TRP115E-*F |
| | ON-<ON> | TRP115F-*F |
| | <ON>-OFF-<ON> | TRP115G-*F |
| | ON-OFF-<ON> | TRP115H-*F |
| 2-pole | ON-OFF | TRP215K-*F |
| | ON-ON | TRP215N-*F |
| | ON-OFF-ON | TRP215P-*F |
| | ON-<ON> | TRP215R-*F |
| | <ON>-OFF-<ON> | TRP215S-*F |
| | ON-OFF-<ON> | TRP215T-*F |

2) Screw terminal, without indication on actuator

| Number of poles | Kind of operation < >: Momentary position | Screw terminal |
|-----------------|----------------------------------------------|----------------|
| | | Part No. |
| 1-pole | ON-OFF | TRP115A-S*F |
| | ON-ON | TRP115D-S*F |
| | ON-OFF-ON | TRP115E-S*F |
| | ON-<ON> | TRP115F-S*F |
| | <ON>-OFF-<ON> | TRP115G-S*F |
| | ON-OFF-<ON> | TRP115H-S*F |
| 2-pole | ON-OFF | TRP215K-S*F |
| | ON-ON | TRP215N-S*F |
| | ON-OFF-ON | TRP215P-S*F |
| | ON-<ON> | TRP215R-S*F |
| | <ON>-OFF-<ON> | TRP215S-S*F |
| | ON-OFF-<ON> | TRP215T-S*F |

T-15 Series Switches

3) Solder terminal, with ON-OFF indication on actuator

| Number of poles | Kind of operation < >: Momentary position | Solder terminal |
|-----------------|----------------------------------------------|-----------------|
| | | Part No. |
| 1-pole | ON-OFF | TRP115A-*1F |
| 2-pole | ON-OFF | TRP215K-*1F |

4) Screw terminal, with ON-OFF indication on actuator

| Number of poles | Kind of operation < >: Momentary position | Screw terminal |
|-----------------|----------------------------------------------|----------------|
| | | Part No. |
| 1-pole | ON-OFF | TRP115A-S*1F |
| 2-pole | ON-OFF | TRP215K-S*1F |

Note: Please specify the actuator color by replacing the asterisk "*" in the part number with appropriate letter. (B: black; W: white; R: red; Z: dark grey)

■ Terminal-sealed type

1) Solder terminal, without indication on actuator

| Number of poles | Kind of operation < >: Momentary position | Solder terminal |
|-----------------|----------------------------------------------|-----------------|
| | | Part No. |
| 1-pole | ON-OFF | TRD115A-*F |
| | ON-ON | TRD115D-*F |
| | ON-OFF-ON | TRD115E-*F |
| | ON-<ON> | TRD115F-*F |
| | <ON>-OFF-<ON> | TRD115G-*F |
| | ON-OFF-<ON> | TRD115H-*F |
| 2-pole | ON-OFF | TRD215K-*F |
| | ON-ON | TRD215N-*F |
| | ON-OFF-ON | TRD215P-*F |
| | ON-<ON> | TRD215R-*F |
| | <ON>-OFF-<ON> | TRD215S-*F |
| | ON-OFF-<ON> | TRD215T-*F |

2) Screw terminal, without indication on actuator

| Number of poles | Kind of operation < >: Momentary position | Screw terminal |
|-----------------|----------------------------------------------|----------------|
| | | Part No. |
| 1-pole | ON-OFF | TRD115A-S*F |
| | ON-ON | TRD115D-S*F |
| | ON-OFF-ON | TRD115E-S*F |
| | ON-<ON> | TRD115F-S*F |
| | <ON>-OFF-<ON> | TRD115G-S*F |
| | ON-OFF-<ON> | TRD115H-S*F |
| 2-pole | ON-OFF | TRD215K-S*F |
| | ON-ON | TRD215N-S*F |
| | ON-OFF-ON | TRD215P-S*F |
| | ON-<ON> | TRD215R-S*F |
| | <ON>-OFF-<ON> | TRD215S-S*F |
| | ON-OFF-<ON> | TRD215T-S*F |

3) Solder terminal, with ON-OFF indication on actuator

| Number of poles | Kind of operation < >: Momentary position | Solder terminal |
|-----------------|----------------------------------------------|-----------------|
| | | Part No. |
| 1-pole | ON-OFF | TRD115A-*1F |
| 2-pole | ON-OFF | TRD215K-*1F |

4) Screw terminal, with ON-OFF indication on actuator

| Number of poles | Kind of operation < >: Momentary position | Screw terminal |
|-----------------|----------------------------------------------|----------------|
| | | Part No. |
| 1-pole | ON-OFF | TRD115A-S*1F |
| 2-pole | ON-OFF | TRD215K-S*1F |

Note: Please specify the actuator color by replacing the asterisk "*" in the part number with appropriate letter. (B: black; W: white; R: red; Z: dark grey)

■ Wire lead sealed type

1) Without indication on actuator

| Number of poles | Kind of operation < >: Momentary position | Wire lead type |
|-----------------|----------------------------------------------|----------------|
| | | Part No. |
| 1-pole | ON-OFF | TRC115A-*F |
| | ON-ON | TRC115D-*F |
| | ON-OFF-ON | TRC115E-*F |
| | ON-<ON> | TRC115F-*F |
| | <ON>-OFF-<ON> | TRC115G-*F |
| | ON-OFF-<ON> | TRC115H-*F |
| 2-pole | ON-OFF | TRC215K-*F |
| | ON-ON | TRC215N-*F |
| | ON-OFF-ON | TRC215P-*F |
| | ON-<ON> | TRC215R-*F |
| | <ON>-OFF-<ON> | TRC215S-*F |
| | ON-OFF-<ON> | TRC215T-*F |

2) With ON-OFF indication on actuator

| Number of poles | Kind of operation < >: Momentary position | Wire lead type |
|-----------------|----------------------------------------------|----------------|
| | | Part No. |
| 1-pole | ON-OFF | TRC115A-*1F |
| 2-pole | ON-OFF | TRC215K-*1F |

Notes: 1. Please specify the actuator color by replacing the asterisk "*" in the part number with appropriate letter. (B: black; W: white; R: red; Z: dark grey)
 2. 300 V vinyl wire (VSF, thick: 2 mm², length: 200 mm) is used. Please inquire about type and different length of lead wire.

PUSH-BUTTON PRODUCT TYPES



■ Standard type

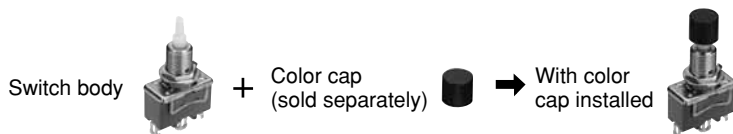
1) Solder terminal

| Number of poles | Kind of operation | Solder terminal |
|-----------------|-------------------|-----------------|
| | | Part No. |
| 1-pole | Momentary | TB110F-F |
| | Alternate | TB115D-F |
| 2-pole | Momentary | TB210R-F |
| | Alternate | TB215N-F |

2) Screw terminal

| Number of poles | Kind of operation | Screw terminal |
|-----------------|-------------------|----------------|
| | | Part No. |
| 1-pole | Momentary | TB110F-SF |
| | Alternate | TB115D-SF |
| 2-pole | Momentary | TB210R-SF |
| | Alternate | TB215N-SF |

Notes: 1. Please use switch body with a color cap (sold separately).
 2. Standard installation accessories are included with the product.



T-15 Series Switches

■ Panel-sealed type

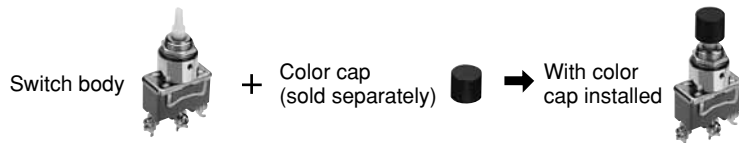
1) Solder terminal

| Number of poles | Kind of operation | Solder terminal |
|-----------------|-------------------|-----------------|
| | | Part No. |
| 1-pole | Momentary | TBP110F-F |
| | Alternate | TBP115D-F |
| 2-pole | Momentary | TBP210R-F |
| | Alternate | TBP215N-F |

2) Screw terminal

| Number of poles | Kind of operation | Screw terminal |
|-----------------|-------------------|----------------|
| | | Part No. |
| 1-pole | Momentary | TBP110F-SF |
| | Alternate | TBP115D-SF |
| 2-pole | Momentary | TBP210R-SF |
| | Alternate | TBP215N-SF |

Notes: 1. Please use switch body with a color cap (sold separately).
2. Standard installation accessories are included with the product.



■ Color cap for push-button (Option)

| Product name | Color cap (sold separately) |
|-----------------------|-----------------------------|
| Dimensions (Unit: mm) | |
| Part No. | WDB1821* |

Note: Please specify the color cap color by replacing the asterisk "*" in the part number with appropriate letter (B: black; W: white; R: red; Z: dark grey; H: light grey; Y: yellow; G: green; L: blue).

■ Installation accessories (Repair parts)

| Product name | Standard installation accessories | | | | Optional installation accessories |
|-----------------------|-----------------------------------|----------------------------------|---------------|-------------|-----------------------------------|
| | Front hex nut (Nickel plated) | Back hex nut (Uni-chrome plated) | Keying washer | Lock washer | Front Knurl nut (Nickel plated) |
| Dimensions (Unit: mm) | | | | | |
| Part No. | AJ3081 | AJ3082 | AJ3083 | AJ3084 | AJ3080 |

Note: A selling unit of each accessory is 10 pieces.

SPECIFICATIONS

■ Contact rating

1) Toggle type and Rocker type

| Kind of load | AC rating | DC rating |
|--------------------------|-----------------------------------------------------------------------------------|------------------------------------------------------------------------------------------------------|
| Resistive load | 15A 250V | 0.5A 250V, 0.9A 125V, 15A 30V |
| Inductive load | 15A 250V (Power factor: 0.6) | 0.3A 250V (Time constant: 8 ms), 0.5A 125V (Time constant: 8 ms) 15A 30V (Time constant: 8 ms) |
| Lamp load (Incandescent) | 400W 100V, 800W 200V, Inrush current: Max. 40 A | 7A 30V |
| Motor load | 400 W 125 V (single phase), 550 W 250 V (single phase), 750 W 250 V (three-phase) | — |

2) Push-button type (momentary)

| Kind of load | AC rating | DC rating |
|----------------|-----------|------------------------------|
| Resistive load | 10A 250V | 0.4A 250V, 0.8A 125V, 8A 30V |

3) Push-button type (alternate)

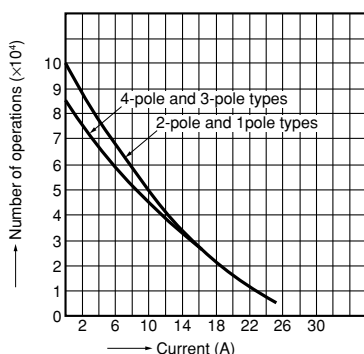
| Kind of load | AC rating | DC rating |
|----------------|-----------|-------------------------------|
| Resistive load | 15A 250V | 0.5A 250V, 0.9A 125V, 15A 30V |

■ Characteristics

| Item | Specifications | | |
|--------------------------------------------------------|----------------------------------------------------------------------------------------------------------------------------------------------|----------------------------------------------------------------------------------------------------------------------------------------------|----------------------------------------------------------------------------------------------------------------------|
| | Toggle type | Rocker type | Push-button type |
| Shape of actuator | | | |
| Protection grade (*1: IP40 *2: IP64 *3: IP67) | Standard type (*1) | Standard type (*1) Panel-sealed type (*2) Terminal-sealed type (*2) Wire leads type (*2) | Standard type (*1) Panel-sealed type (*3) |
| Mechanical expected life | 1-pole and 2-pole: Min. 10 ⁵ 3-pole and 4-pole: Min. 8.5×10 ⁴ | Min. 5×10 ⁴ (20 cpm) ON-OFF, ON-ON, ON-OFF-ON, Min. 3×10 ⁴ (20 cpm) ON-(ON), (ON)-OFF-(ON), ON-OFF-(ON) | Min. 3×10 ⁴ (20 cpm) |
| Electrical expected life (10 cpm) | Standard and panel-sealed types: Min. 3×10 ⁴ Terminal-sealed and wire leads types: Min. 1.5×10 ⁴ | | Standard type: Min. 3×10 ⁴ Panel-sealed, terminal-sealed and wire leads types: Min. 10 ⁴ |
| Dielectric strength | 1500 Vrms (at detection current: 10mA) | | |
| Insulation resistance | Min. 100 MΩ (at 500 V DC measured by insulation resistive meter) | | |
| Contact resistance | Initial, Max. 10 mΩ (By voltage drop at 1 A, 2 to 4 V DC) Wire leads type only: Initial, Max. 30 mΩ (By voltage drop at 1 A, 2 to 4 V DC) | | |
| Actuator strength | 112.7N for 1 min. (For operating direction) | | |
| Vibration resistance | 10 to 55 Hz at double amplitude of 1.5 mm (contact opening: Max. 10 ms) | | |
| Terminal strength (static load) | 24.5N for 1 min. | | |
| Ambient temperature | -25°C to +70°C (Not freezing below 0°C) | | |
| Contact material | AgZnO alloy | | |

DATA (Electrical life, For toggle standard type)

Tested condition: 250 V AC, Power factor: 0.6 and 10 cpm



TOGGLE TYPE DIMENSIONS

(Unit: mm) General tolerance: ±0.5

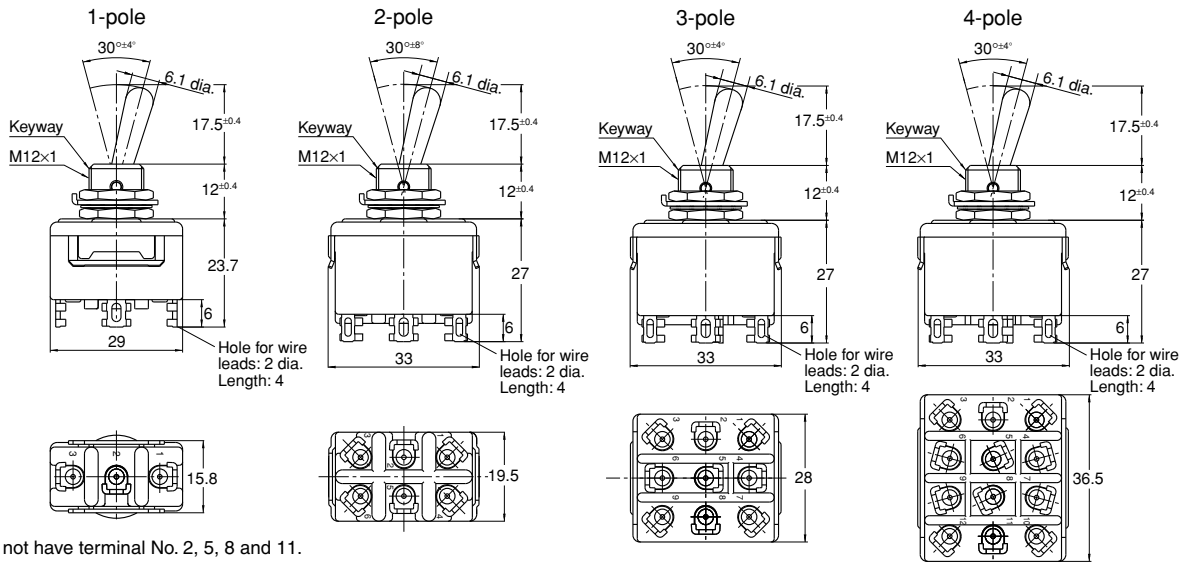
The CAD data of the products with a **CAD Data** mark can be downloaded from: <http://industrial.panasonic.com/ac/e/>

■ **Standard type**

1) Solder terminal

CAD Data

External dimensions

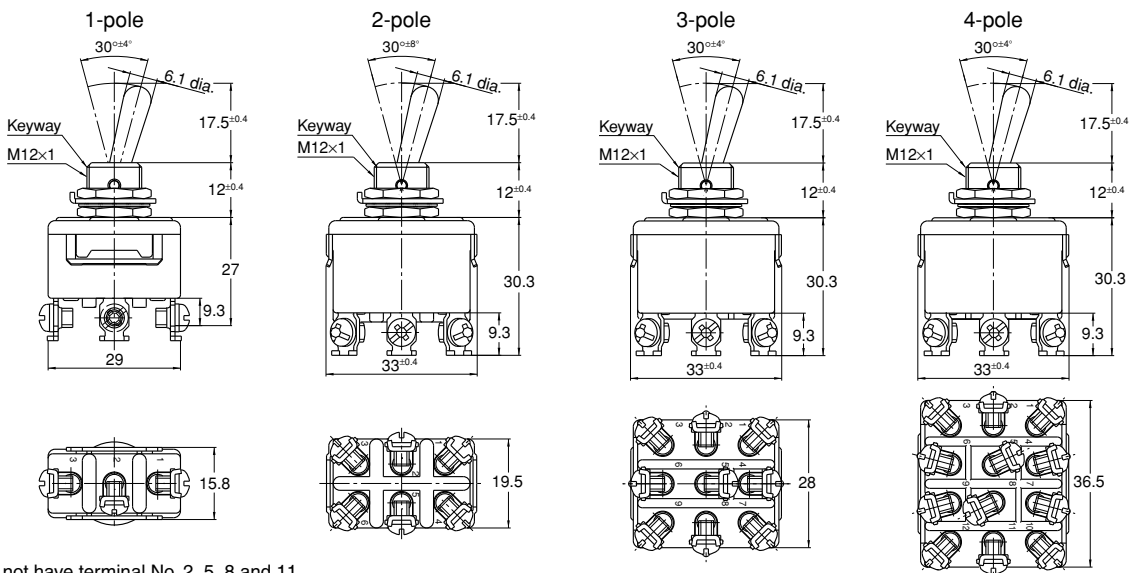


Note: ON-OFF type does not have terminal No. 2, 5, 8 and 11.

2) Screw terminal (M3.5)

CAD Data

External dimensions

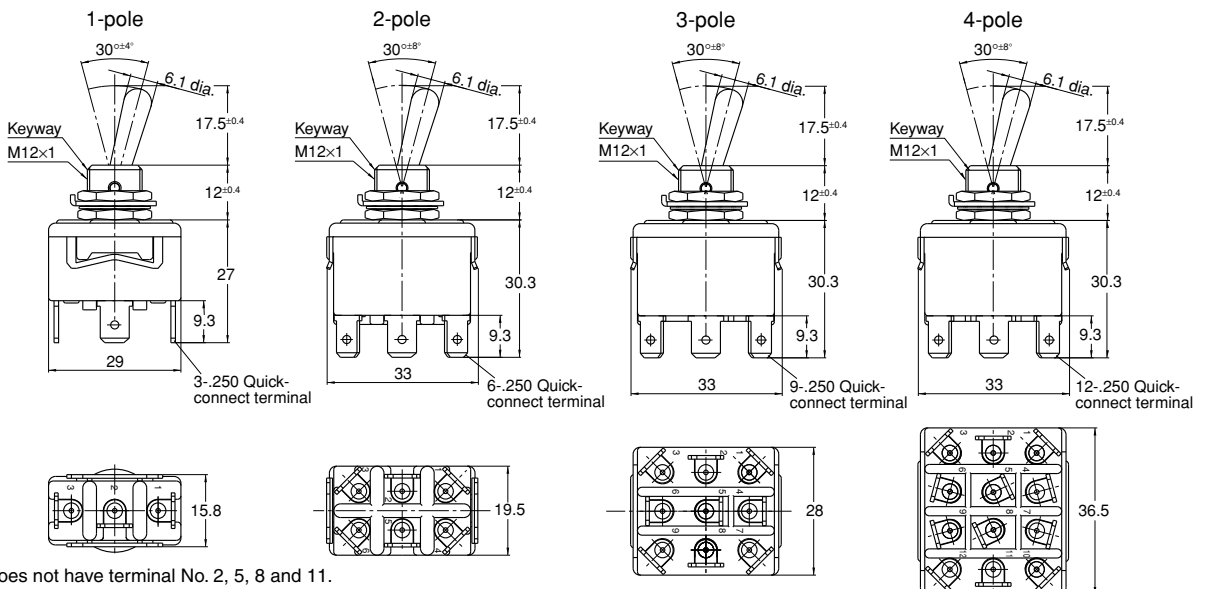


Note: ON-OFF type does not have terminal No. 2, 5, 8 and 11.

3) .250 Quick-connect terminal

CAD Data

External dimensions

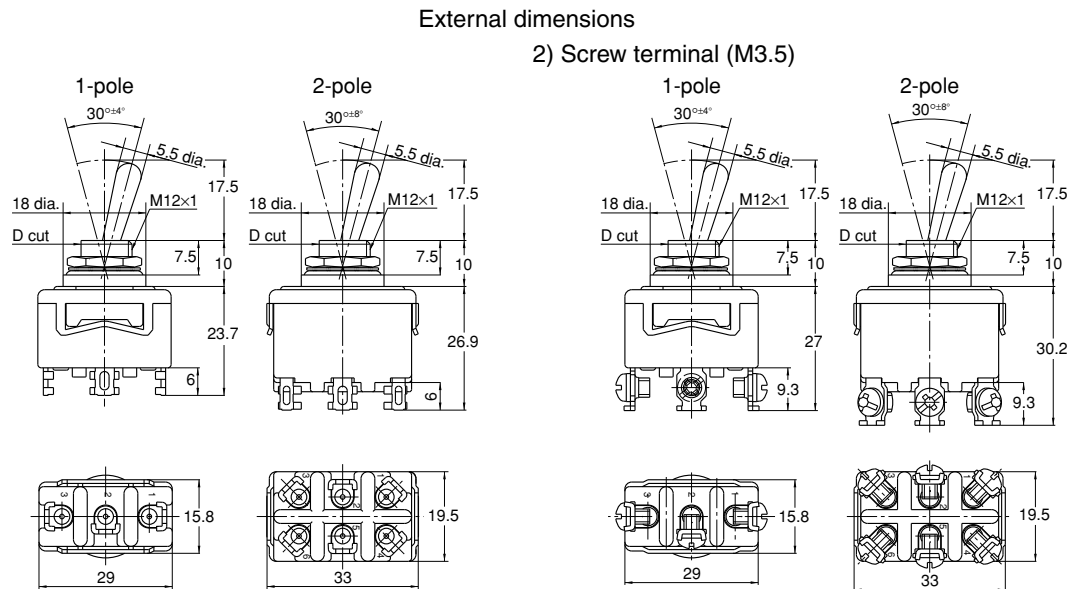


Notes: 1. ON-OFF type does not have terminal No. 2, 5, 8 and 11.
2. There is no through-hole on .250 Quick-connect terminals.

■ Panel-sealed type

1) Solder terminal

CAD Data

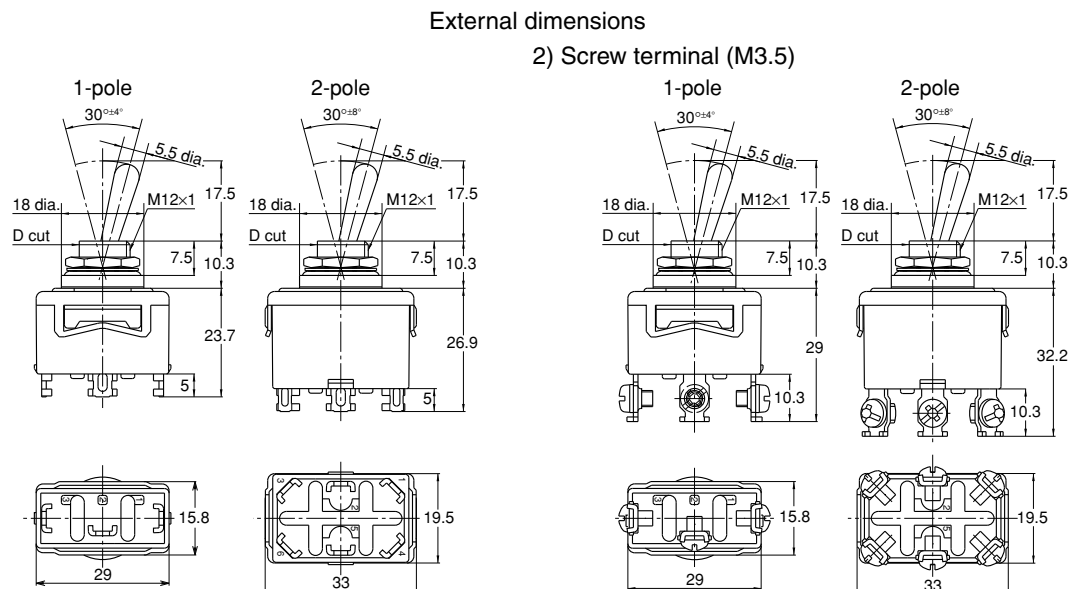


Note: ON-OFF type does not have terminal No. 2 and 5.

■ Terminal-sealed type

1) Solder terminal

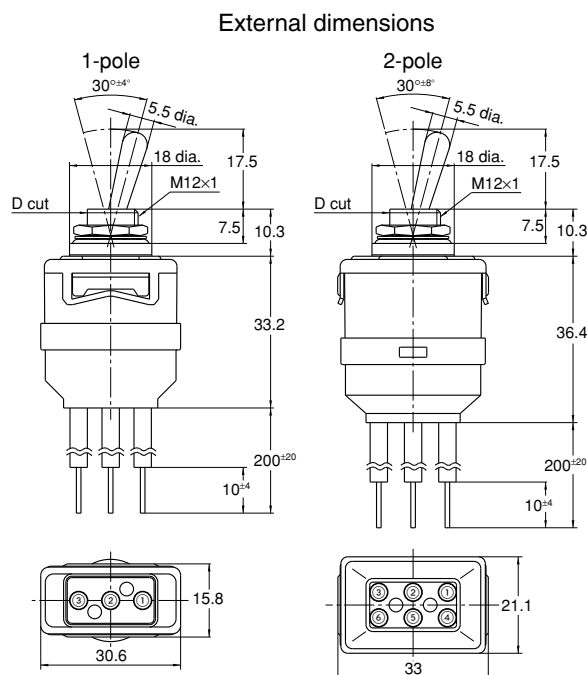
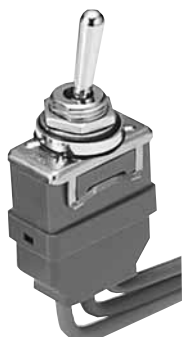
CAD Data



Note: ON-OFF type does not have terminal No. 2 and 5.

■ Wire leads type

CAD Data



Notes: 1. ON-OFF type does not have wire lead No. 2 and 5.
2. 300 V vinyl wire (VSF, thick: 2 mm², length: 200 mm) is used.

Color of wire leads

| No. | Color |
|-----|--------|
| ① | Brown |
| ② | Red |
| ③ | Orange |
| ④ | Yellow |
| ⑤ | Green |
| ⑥ | Blue |

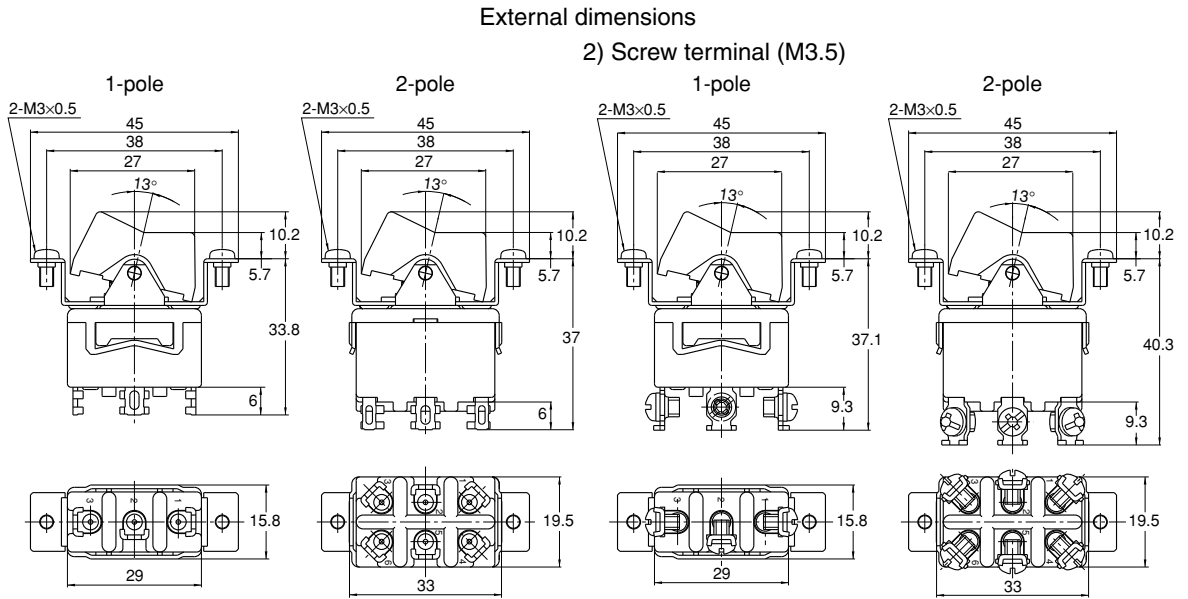
ROCKER TYPE DIMENSIONS

(Unit: mm) General tolerance: ±0.5

■ **Standard type**

1) Solder terminal

CAD Data

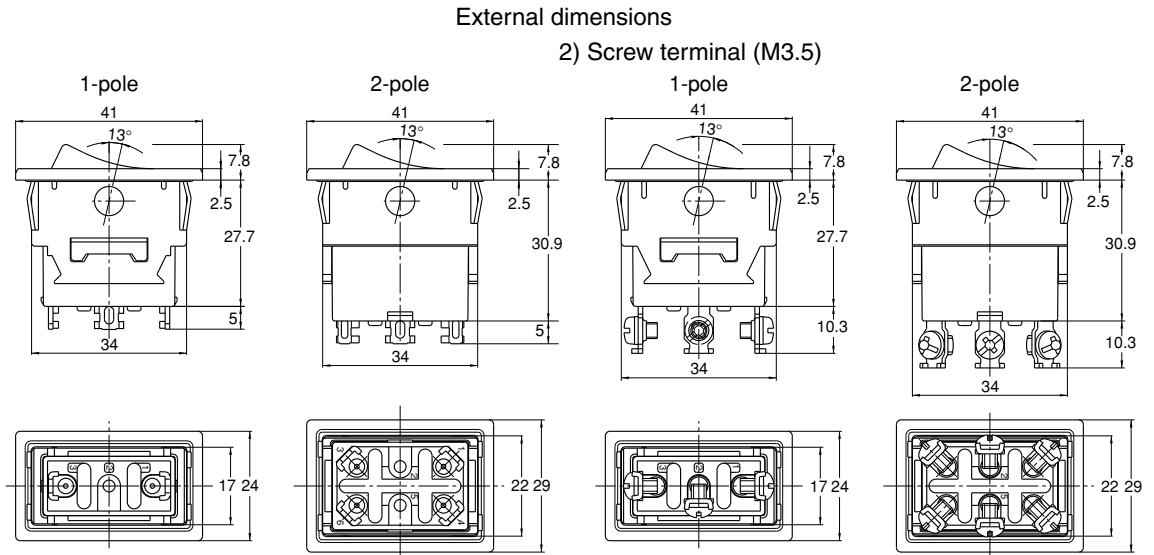


Notes: 1. ON-OFF type does not have terminal No. 2 and 5.
2. Dimensions of actuator: 13.4 × 27

■ **Panel-sealed type**

1) Solder terminal

CAD Data

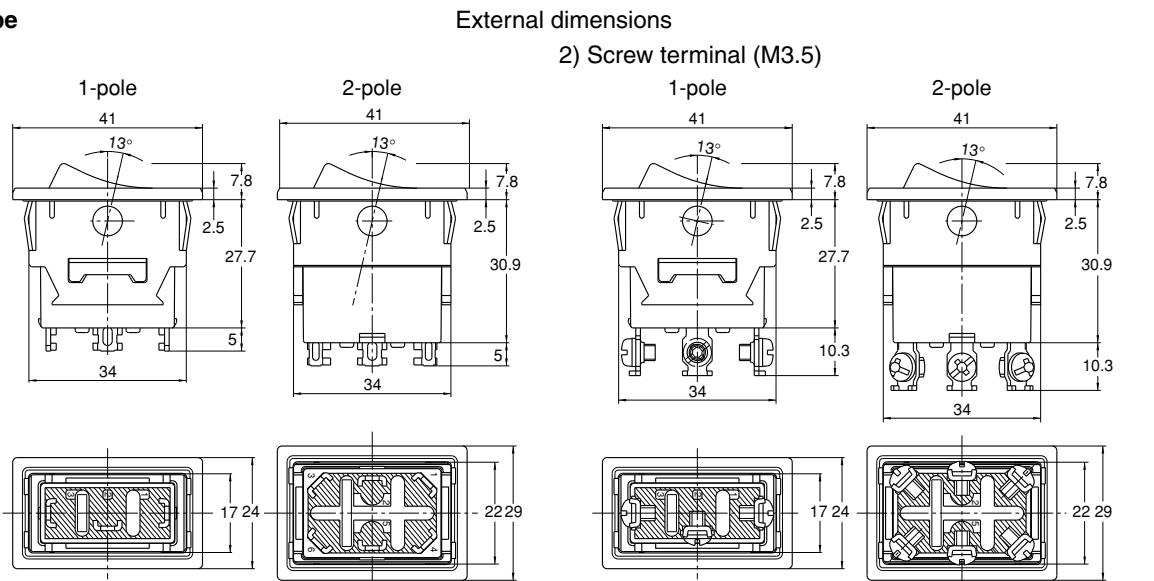


Notes: 1. ON-OFF type does not have terminal No. 2 and 5.
2. Dimensions of actuator: 1-pole: 12.6 × 29, 2-pole: 17.4 × 29

■ **Terminal-sealed type**

1) Solder terminal

CAD Data



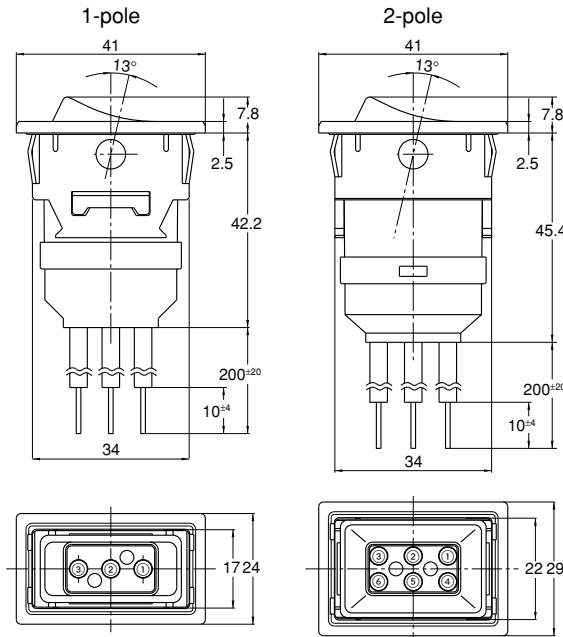
Notes: 1. ON-OFF type does not have terminal No. 2 and 5.
2. Dimensions of actuator: 1-pole: 12.6 × 29, 2-pole: 17.4 × 29

■ Wire leads type

CAD Data



External dimensions



Color of wire leads

| No. | Color |
|-----|--------|
| ① | Brown |
| ② | Red |
| ③ | Orange |
| ④ | Yellow |
| ⑤ | Green |
| ⑥ | Blue |

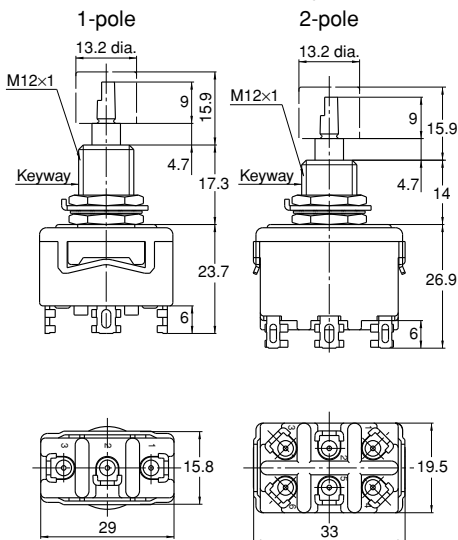
Notes: 1. ON-OFF type does not have terminal No. 2 and 5.
 2. Dimensions of actuator: 1-pole: 12.6 × 29, 2-pole: 17.4 × 29
 3. 300 V vinyl wire (VSF, thick: 2 mm², length: 200 mm) is used.

PUSH-BUTTON TYPE DIMENSIONS

(Unit: mm) General tolerance: ±0.5

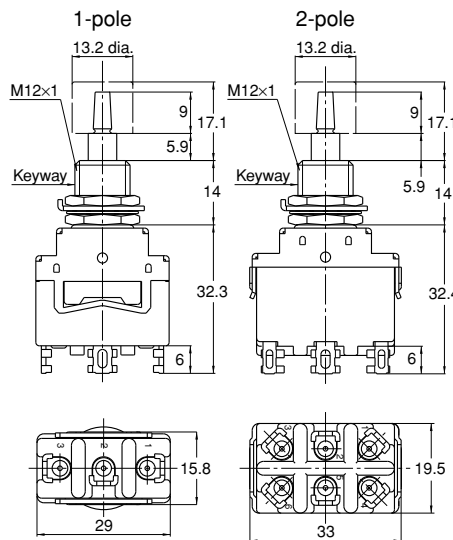
■ Standard type

• Solder terminal, Momentary



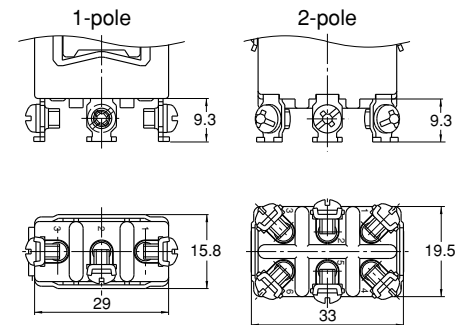
External dimensions

• Solder terminal, Alternate



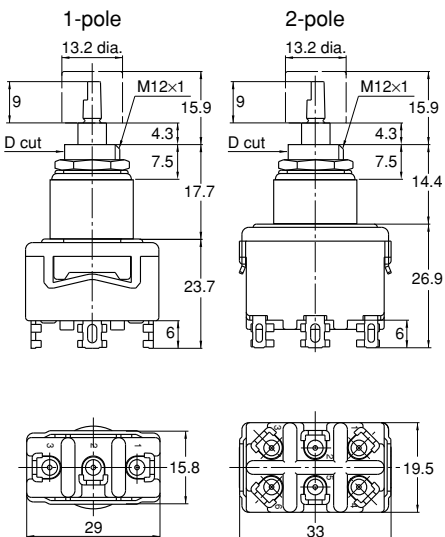
• Screw terminal (M3.5)

Dimensions other than listed below are same as those of solder terminal type.



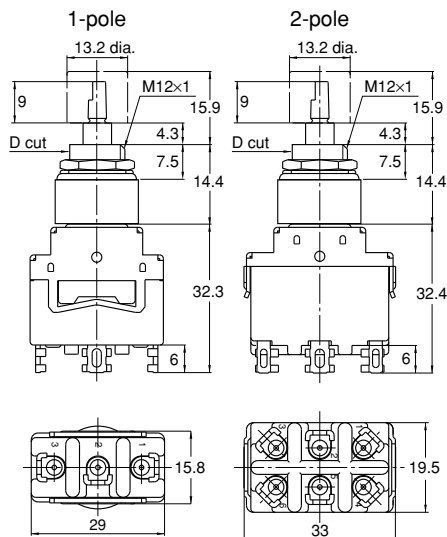
■ Panel-sealed type

• Solder terminal, Momentary



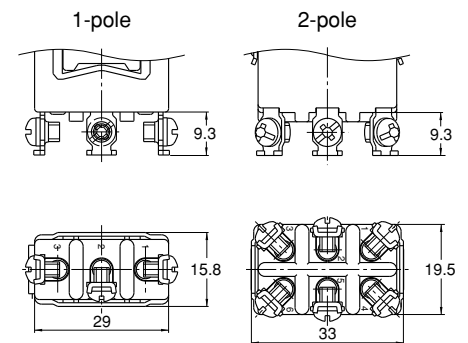
External dimensions

• Solder terminal, Alternate



• Screw terminal (M3.5)

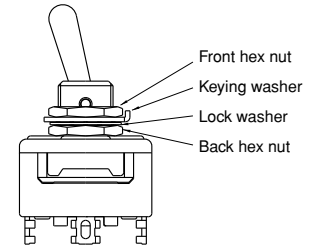
Dimensions other than listed below are same as those of solder terminal type.



MOUNTING DIMENSIONS

■ Toggle type

| Type | Standard type | | |
|----------------------------|---------------|----------------------------------------|----------------------------------------|
| Panel cutout (Unit: mm) | | | |
| Panel thickness | Max. 4.6 mm | Max. 5.6 mm (without keying washer) | Max. 5.6 mm (without keying washer) |



| Type | Panel-sealed, Terminal-sealed and Wire leads types | |
|----------------------------|----------------------------------------------------|--------------------------------------|
| Panel cutout (Unit: mm) | | |
| Panel thickness | Max. 4 mm | Max. 4 mm (without keying washer) |

Note: For panel installations of standard type, be use to use the back hex nut.

■ Rocker type

| Type | Standard type | Panel-sealed, Terminal-sealed and Wire leads types |
|----------------------------|---------------|----------------------------------------------------------------------------------------------------------------------------------------------------------------------------------|
| Panel cutout (Unit: mm) | | <div style="display: flex; justify-content: space-around;"> <div style="text-align: center;"> <p>1 pole</p> </div> <div style="text-align: center;"> <p>2-pole</p> </div> </div> |
| Panel thickness | Max. 4.5 mm | 1.2 to 3.2 mm |

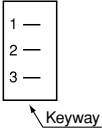
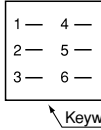
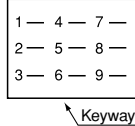
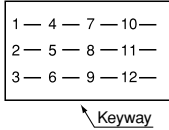








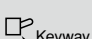
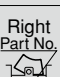


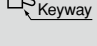

■ Push-button type

| Type | Standard type | | | Panel-sealed type | |
|----------------------------|-------------------------------------------------------------------------------------------------|----------------------------------------------------------------------------------------------------------------------------|----------------------------------------------------------------------------------------------------------------------------|-------------------|--------------------------------------|
| Panel cutout (Unit: mm) | | | | | |
| Panel thickness | Momentary, 1-pole: Max. 10 mm Momentary, 2-pole: Max. 6.5 mm Alternate: Max. 6.5 mm | Momentary, 1-pole: Max. 10 mm Momentary, 2-pole: Max. 7.5 mm Alternate: Max. 7.5 mm (without keying washer) | Momentary, 1-pole: Max. 11 mm Momentary, 2-pole: Max. 7.5 mm Alternate: Max. 7.5 mm (without keying washer) | Max. 4 mm | Max. 4 mm (without keying washer) |

Note: For panel installations of standard type, be use to use the back hex nut.

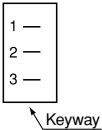
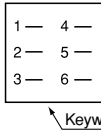

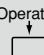
TERMINAL CIRCUIT DIAGRAM

■ Toggle type and Rocker type

| Number of pole | | | | 1-pole | 2-pole | 3-pole | 4-pole |
|------------------------------------------------------|-------------------------------------------------|-------------------------------------------------------------------------------------|-------------------------------------------------------------------------------------|-----------------------------------------------------------------------------------|------------------------------------------------------------------------------------|-------------------------------------------------------------------------------------|-------------------------------------------------------------------------------------|
| Toggle type | | | | Available | Available | Available *3 | Available *3 |
| Rocker type | | | | Available | Available | — | — |
| Terminal arrangement (As seen from terminal side) | | | |  |  |  |  |
| Actuator position and contact terminal number | Actuator shape | Toggle type | Rocker type | | | | |
| | ON-OFF |  |  | 1-3 | 1-3, 4-6 | 1-3, 4-6, 7-9 | 1-3, 4-6, 7-9, 10-12 |
| | | — | — | — | — | — | — |
| | |  |  | — | — | — | — |
| | ON-ON ON-<ON> *1 |  |  | 2-3 | 2-3, 5-6 | 2-3, 5-6, 8-9 | 2-3, 5-6, 8-9, 11-12 |
| | | — | — | — | — | — | — |
| | |  |  | 1-2 | 1-2, 4-5 | 1-2, 4-5, 7-8 | 1-2, 4-5, 7-8, 10-11 |
| | ON-OFF-ON <ON>-OFF-<ON> ON-OFF-<ON> *1 |  |  | 2-3 | 2-3, 5-6 | 2-3, 5-6, 8-9 | 2-3, 5-6, 8-9, 11-12 |
| | |  |  | — | — | — | — |
| | |  |  | 1-2 | 1-2, 4-5 | 1-2, 4-5, 7-8 | 1-2, 4-5, 7-8, 10-11 |
| Remarks | | | | ON-OFF type does not have a terminal No. 2. | ON-OFF type does not have terminal No. 2 and 5. | ON-OFF type does not have terminal No. 2, 5 and 8. | ON-OFF type does not have terminal No. 2, 5, 8 and 11. |

Notes: *1. For ON-<ON>, ON-OFF-<ON> type of toggle, if the lever turns to the keyway side, it takes momentary position.
 *2. For the rocker type, if the actuator turns to the left side in view of the side where a part number is marked, it takes momentary position.
 *3. Only standard type

■ Push-button type

| | | 1-pole | 2-pole | |
|------------------------------------------------------|--|-------------------------------------------------------------------------------------|--------------------------------------------------------------------------------------|----------|
| Terminal arrangement (As seen from terminal side) | |  |  | |
| Push-button position and contact terminal number | |  | 2-3 | 2-3, 5-6 |
| | |  | 1-2 | 1-2, 4-5 |

CAUTIONS FOR USE

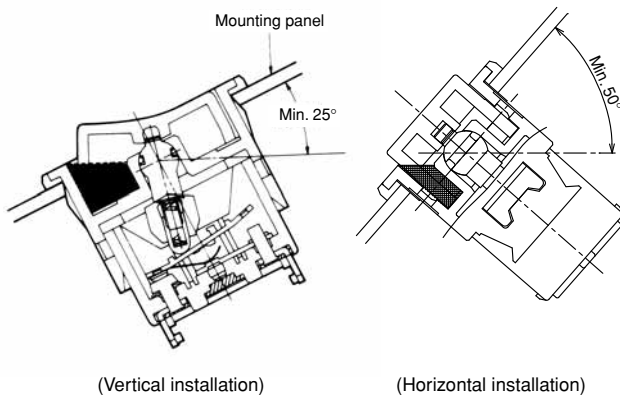
■ Dustproof, waterproof, anticorrosive gas, and oil-proof designs

The panel-sealed type/terminal-sealed type/wire lead type switch has a protection level of IP67 or IP64 on the outer side of the mounting panel and a level of IP40, IP60, or IP67 on the inner side of the panel. For actual application, note the following points:

- 1) Avoid immersion in water or oil during installation.
- 2) Avoid immersion in water or oil during operation.
- 3) Oils or gases impose varying degrees of impact on the switch's sealing performance depending on type or quantity.
- 4) While the switch has a immersion and dust-protected design, its sealing performance or operability may be adversely affected in an environment where in the switch's movable parts can be contaminated with dust, oil, or other foreign objects. For the toggle type, use of a rubber cap is recommended.
- 5) The standard toggle switch, when used with a rubber cap, provides a protection level of IP54. It should be used in an environment where it will not be subject to frequent water splashes.
- 6) As the sealing performance of the rocker type switch is affected by the panel processing accuracy or mounted panel thickness, check the switch under actual loading conditions. (While water or dust will not enter the switch's internal structure, it may enter the panel.)
- 7) Do not operate the rocker type switch when water accumulates in the actuator.

■ Installation

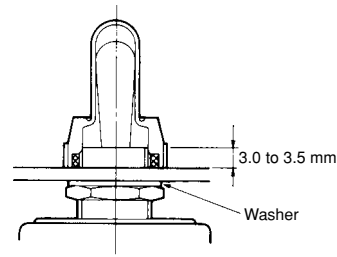
- 1) For the toggle and push-button type
 - a. When installing the standard type switch, be sure to use a hex nut.
 - b. For the panel-sealed, terminal-sealed and wire lead types, use a lock washer on the front side of the panel, and an O-ring on the back side of it.
 - c. Do not install the switch by rotating it.
- 2) For the rocker type
 - a. In case the panel-sealed, terminal-sealed or wire leads types are used in the condition where the water splash on, please in the case of vertical installation, please install the switches tilt more than 25° or in the case of horizontal installation, please install the switches tilt more than 50°. (90° recommended)



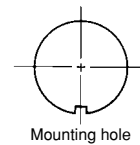
- b. In case water inside the switch case may freeze, please install the switch vertically to avoid the water remain inside the switch.

3) Rubber cap installation

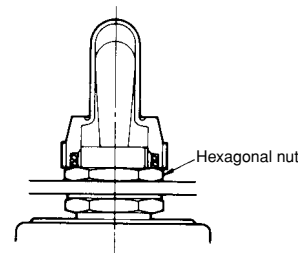
- a. The washer should be used on the back side of the panel.



- b. Enough screw pitch should be obtained being adjusted within 3 to 3.5mm.
- c. Install a rubber cap on the switch knob before securing the switch with the hex nut.
- d. The mounting hole in the panel should preferably be provided with an anti-rotation projection.



- e. If the rubber cap is installed over the hex nut, the waterproof performance will be impaired although the dustproof performance will not be affected.



■ Soldering

Perform soldering in less than 3 seconds with maximum 350°C iron. Care should be taken not to apply force to the terminals during soldering. We recommend a soldering iron with temperature adjustment in order to prevent poor quality soldering.

Please consult us if you intend to use a soldering iron of 60 W or higher.

■ Load type and ratings

- 1) When the switch is loaded with a lamp, motor or capacitive load, a surge current higher than the stationary current passes through the switch contacts. Measure the surge with the actual load and, if needed, take necessary action so that the surge will not exceed the switch's rated current.
- 2) When the switch is loaded with an inductive load (relay, solenoid, buzzer, etc.), a contact failure may result from arc discharge caused by a counterelectromotive force. It is advisable that you use an adequate anti-spark circuit across the switch contacts.

■ Others

- 1) Do not apply an excessive static load exceeding 112.7N perpendicular to the direction of operation.
- 2) Operate the switch actuator by hand.
- 3) Take care not to drop the product as it may impair performance.
- 4) These switches are only for Industrial use. Do not use any other applications. (ex. home use)

Technical Terminology & Cautions for Use

(Operation Switches)

TECHNICAL TERMINOLOGY

■ Rated values

Values indicating the characteristics and performance guarantee standards of the switches. The rated current and rated voltage, for instance, assume specific conditions.

■ Electrical life

The service life when the rated load is connected to the contact and switching operations are performed.

■ Mechanical life

The service life when operated at a preset operating frequency without passing electricity through the contacts.

■ Dielectric strength

Threshold limit value that a high voltage can be applied to a predetermined measuring location for one minute without causing damage to the insulation.

■ Insulation resistance

This is the resistance value at the same place the dielectric strength is measured.

■ Contact resistance

This indicates the electrical resistance at the contact part. Generally, this resistance includes the conductor resistance of the spring and terminal portions.

■ Vibration resistance

Vibration range where a closed contact does not open for longer than a specified time due to vibrations during use of the snap-action switches.

■ Shock resistance

Max. shock value where a closed contact does not open for longer than a specified time due to shocks during use of the switches.

■ Allowable switching frequency

This is the maximum switching frequency required to reach the end of mechanical life (or electrical life).

■ Temperature rise value

This is the maximum temperature rise value that heats the terminal portion when the rated current is flowing through the contacts.

■ Actuator strength

When applying a static load for a certain period on the actuator in the operation direction, this is the maximum load it can withstand before the switch loses functionality.

■ Terminal strength

When applying a static load for a certain period (in all directions if not stipulated) on a terminal, this is the maximum load it can withstand before the terminal loses functionality (except when the terminal is deformed).

TYPES OF LOAD

■ Resistance load

Resistance load is a power factor of 1 ($\cos\phi = 1$) where the load is only for the resistance portion. The displayed switch rating indicates the current capacity when using AC current.

■ DC load

Differing from AC, since the direction of current is fixed for DC, the continuous arc time lengthens when the same voltage is applied.

■ Incandescent lamp load

Since an inrush current of 10 to 15 times the rated current flows for an instant when the switch is turned on for the lamp, adhesion of the contacts may occur. Therefore, please take into consideration this transient current when selecting a switch.

■ Induction load

Since arc generation due to reverse voltage can cause contact failure to occur when there is an induction load (in relays, solenoids and buzzers, etc.), we recommend you insert a suitable spark quenching circuit (see figure below).

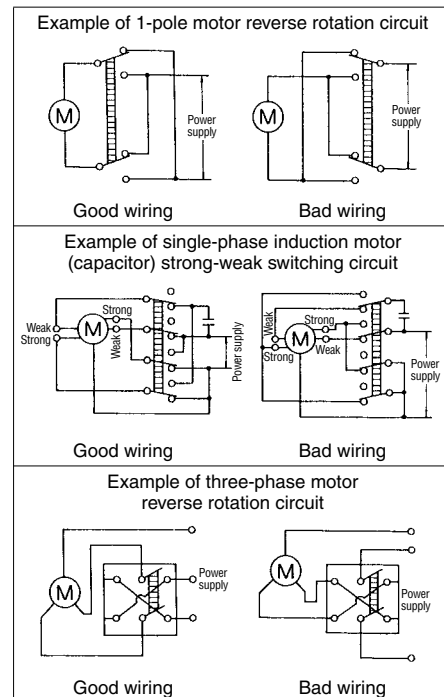
| Circuit example | Notes |
|-----------------|------------------------------------------------------------------------------------------------------------------------------------|
| | (1) $r = \text{more than } 10 \Omega$ (2) In an AC circuit, impedance of R is to be slightly smaller than impedance of r and c. |
| | Can be used for both AC and DC circuits. $r = R$ $C: 0.1 \mu\text{F}$ |
| | For DC circuits only. |
| | Can be used for both AC and DC circuits. |

■ Motor load

Contacts may adhere due to the starting current at the start of motor operation which is three to eight times the steady-state current. Although it differs depending on the motor, since a current flows that is several times that of the nominal current, please select a switch taking into consideration the values in the table below. To make the motor rotate in reverse, use an ON-OFF-ON switch and take measures to prevent a multiplier current (starting current + reverse current) from flowing.

| Motor type | Type | Starting current |
|------------------------------|-------------------|--------------------------------------------------|
| Three-phase induction motor | Squirrel-cage | Approx. 5 to 8 times current listed on nameplate |
| Single-phase induction motor | Split-phase-start | Approx. 6 times current listed on nameplate |
| | Capacitor-start | Approx. 4 to 5 times current listed on nameplate |
| | Repulsion-start | Approx. 3 times current listed on nameplate |

A current that is approximately two times that of the starting current will flow when reverse rotation is caused during operation. Also, when using for a load that will cause transient phenomena such as when operating the motor in reverse rotation or switching the poles, an arc short (circuit short) may occur due to the time lag between poles when switching. Please be careful.



■ Capacitor load

In the case of mercury lamps, florescent lamps and the capacitor loads of capacitor circuits, since an extremely large inrush current flows when the switch is turned on, please measure that transient value with the actual load and then either use the product keeping within the range of the rated current or after verifying the actual load.

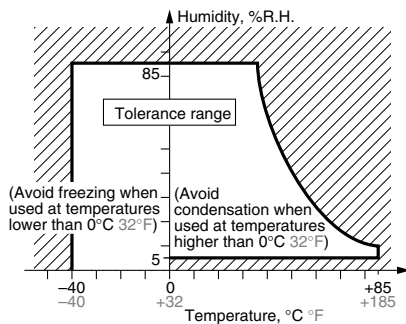
CAUTIONS FOR USE

■ Environment of use

- 1) Please consult us when using under the following conditions:
 - Environments where hydrogen sulfide or other corrosive gases are present.
 - Environments where gasoline, thinner or other flammable, explosive gases are present.
 - Dusty environments (for non-seal type snap action switches).
 - Use in environments not in the prescribed temperature or humidity range.
 - Places with low air pressure.
- 2) Unless specified the product will not be constructed to withstand water, oil or explosions. Please inquire if you intend to use the product in special applications.

■ Usage, storage, and transport conditions

- 1) During usage, storage, or transportation, avoid locations subject to direct sunlight and maintain normal temperature, humidity, and pressure conditions.
- 2) The allowable specifications for environments suitable for usage, storage, and transportation are given below.
 - (1) Temperature: The allowable temperature range differs for each switch, so refer to the switch's individual specifications.
 - (2) Humidity: 5 to 85% R.H.
 - (3) Pressure: 86 to 106 kPa
 The humidity range varies with the temperature. Use within the range indicated in the graph below.
 (The allowable temperature depends on the switch.)



- Condensation will occur inside the switch if there is a sudden change in ambient temperature when used in an atmosphere of high temperature and high humidity. This is particularly likely to happen when being transported by ship, so please be careful of the atmosphere when shipping. Condensation is the phenomenon whereby steam condenses to cause water droplets that adhere to the switch when an atmosphere of high temperature and humidity rapidly changes from a high to low temperature or when the switch is quickly moved from a low humidity location to one of high temperature and humidity. Please be careful because condensation can cause adverse conditions such as deterioration of insulation, coil cutoff, and rust.
- Condensation or other moisture may freeze on the switch when the temperatures is lower than 0°C 32°F. This causes problems such as sticking of movable parts or operational time lags.
- The plastic becomes brittle if the switch is exposed to a low temperature, low humidity environment for long periods of time.
- Storage for extended periods of time (including transportation periods) at high temperatures or high humidity levels or in atmospheres with organic gases or sulfide gases may cause a sulfide film or oxide film to form on the surfaces of the contacts and/or it may interfere with the functions. Check out the atmosphere in which the units are to be stored and transported.

- In terms of the packing format used, make every effort to keep the effects of moisture, organic gases and sulfide gases to the absolute minimum.

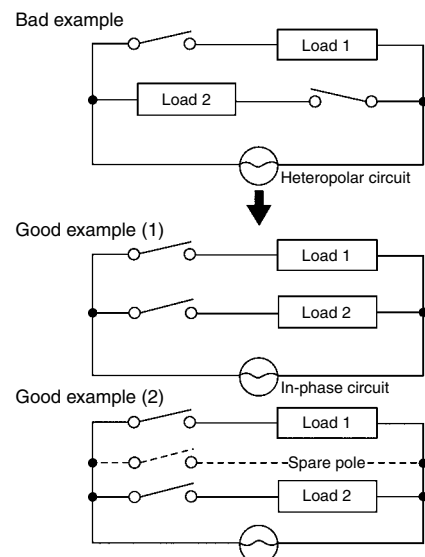
■ Wiring

- 1) When using a PC board terminal switch as soldering terminals, use thin lead wires and be sure to wind them on the terminals before soldering.
- 2) Cautions when soldering

Perform soldering quickly in accordance with the specified conditions. Be careful not to let flux flow into the product. When no instruction is specified, use a 60 W soldering iron (350°C) and complete soldering within five seconds. Do not pull on the lead wires immediately after soldering. Wait some time before verifying.

■ Others

- 1) Failure modes of switches include short-circuiting, open-circuiting and temperature rises. If this switch is to be used in equipment where safety is a prime consideration, examine the possible effects of these failures on the equipment concerned, and ensure safety by providing protection circuits or protection devices. In terms of the systems involved, make provision for redundancy in the design and take steps to achieve safety design.
- 2) The ambient operating temperature (and humidity) range quoted is the range in which the switch can be operated on a continuous basis: it does not mean that using the switch within the rating guarantees the durability performance and environment withstanding performance of the switch. For details on the performance guarantee, check the specifications of each product concerned.
- 3) Even if 2-pole, 3-pole or 4-pole switches are used as single-pole switches in order to increase contact reliability, please keep the maximum current no higher than the rated value.
- 4) If there is the possibility of a short between poles, please use an in-phase circuit as shown below or provide a spare pole.



- 5) Be careful not to drop the product as this may cause loss of functionality.
- 6) Do not apply an unreasonable vertical force against the direction of operation of the product.
- 7) Use your hand to operate the actuator.
(Operation using a tool such as a screwdriver or hammer can cause breakdown.)

X-ON Electronics

Largest Supplier of Electrical and Electronic Components

Click to view similar products for [panasonic](#) manufacturer:

Other Similar products are found below :

[ECE-A1HKAR47](#) [ELK-EA102FA](#) [ELC-09D151F](#) [EEC-S0HD224H](#) [ELL-5PS3R3N](#) [HC2-H-DC48V-F](#) [HL2-HP-AC120V-F](#) [HL2-H-DC12V-F](#) [HL2-HP-DC12V-F](#) [HL2-HP-DC6V-F](#) [HL2-HP-DC24V-F](#) [HC4-H-DC24V](#) [HL2-HTM-DC24V-F](#) [HL2-HTM-AC24V-F](#) [HC4-H-AC24V](#) [HC4-H-AC120V](#) [EEC-RG0V155H](#) [AZH2031](#) [RP-SDMF64DA1](#) [EEF-UD0K101R](#) [EVM-F6SA00B55](#) [RP-SMLE08DA1](#) [ELC-12D101E](#) [ERA-3YEB272V](#) [EEC-RF0V684](#) [ERA-3YEB153V](#) [ELC-3FN2R2N](#) [ERA-3YEB512V](#) [ERJ-1GEJ564C](#) [ERZ-V20R391](#) [ETQ-P3W3R3WFN](#) [ELL-ATV681M](#) [ELK-EA100FA](#) [EEF-UD0J101R](#) [LC-R121R3P](#) [ERA-3YEB303V](#) [ERZ-V05V680CB](#) [EEF-UE0K101R](#) [ELK-E101FA](#) [EEC-S0HD224V](#) [EVQ-PAC05R](#) [ELK-EA222FA](#) [LT4H-DC24V](#) [LT4HL8-AC24V](#) [LT4HW-AC24V](#) [LT4HWT8-AC240V](#) [LT4HWT-AC240VS](#) [CX-444-P-Z](#) [CY-122A-P](#) [ETQ-P5M470YFM](#)