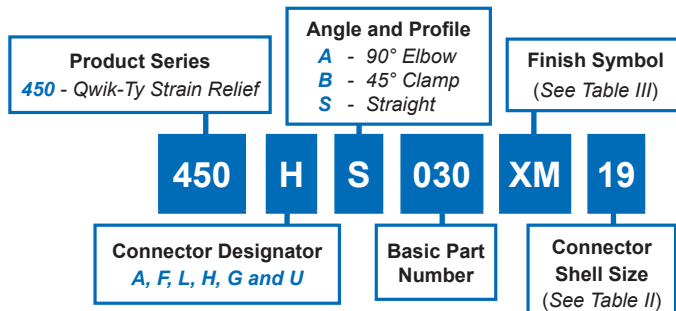


450-030 Composite Qwik-Ty® Strain-Relief with Self-Locking Rotatable Coupling and Ground Lug Straight, 45° and 90°



Composite Backshells

CONNECTOR DESIGNATOR:	
A	MIL-DTL-5015, -26482 Series II, and -83723 Series I and III
F	MIL-DTL-38999 Series I, II
L	MIL-DTL-38999 Series 1.5 (JN1003)
H	MIL-DTL-38999 Series III and IV
G	MIL-DTL-28840
U	DG123 and DG123A
SELF-LOCKING	
ROTATABLE COUPLING	
LOW PROFILE	



A

TABLE III: FINISH	
Symbol	Finish Description
XM	2000 Hour Corrosion Resistant Electroless Nickel
XMT	2000 Hour Corrosion Resistant Ni-PTFE, Nickel-Fluorocarbon Polymer. 1000 Hour Grey™
XW	2000 Hour Corrosion Resistant Cadmium/Olive Drab over Electroless Nickel
XB	No Plating - Black Material
XO	No Plating - Brown Material

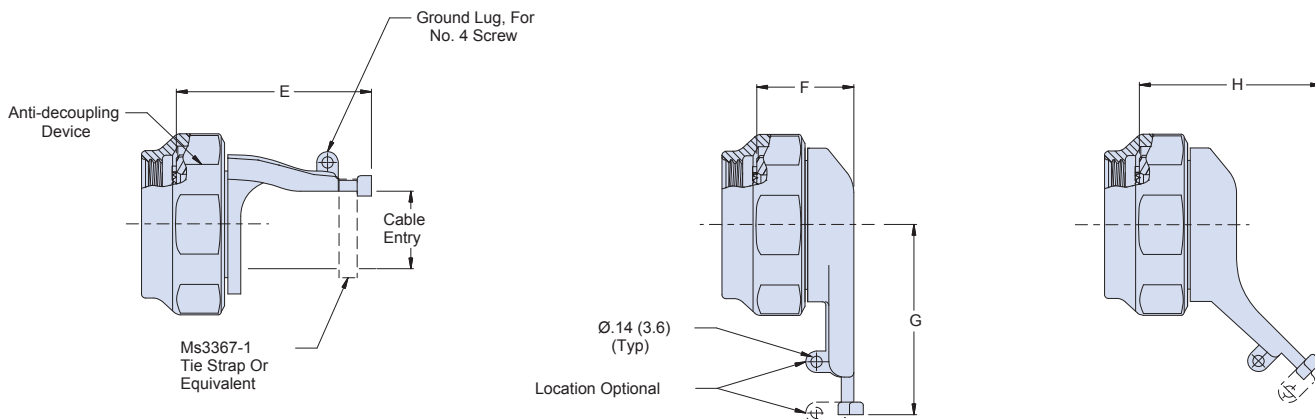


TABLE II: CONNECTOR SHELL SIZE ORDER NUMBER																
Shell Size For Connector Designator*					E Code A,F,H		E Code G,U		F	G	H	Cable Entry				
A	F/L	H	G	U	Max	Max	Max	Max	Max	Max	Max	Max	Max	Max	Max	
08	08	09	-	-	1.14	(29.0)	-	.75	(19.0)	1.22	(31.0)	1.14	(29.0)	.25	(6.4)	
10	10	11	-	08	1.14	(29.0)	1.30	(33.0)	.75	(19.0)	1.29	(32.8)	1.14	(29.0)	.38	(9.7)
12	12	13	11	10	1.20	(30.5)	1.36	(34.5)	.75	(19.0)	1.62	(41.1)	1.14	(29.0)	.50	(12.7)
14	14	15	13	12	1.38	(35.1)	1.54	(39.1)	.75	(19.0)	1.66	(42.2)	1.64	(41.7)	.63	(16.0)
16	16	17	15	14	1.38	(35.1)	1.54	(39.1)	.75	(19.0)	1.72	(43.7)	1.64	(41.7)	.75	(19.1)
18	18	19	17	16	1.44	(36.6)	1.69	(42.9)	.75	(19.0)	1.72	(43.7)	1.74	(44.2)	.81	(21.8)
20	20	21	19	18	1.57	(39.9)	1.73	(43.9)	.75	(19.0)	1.79	(45.5)	1.74	(44.2)	.94	(23.9)
22	22	23	-	20	1.69	(42.9)	1.91	(48.5)	.75	(19.0)	1.85	(47.0)	1.74	(44.2)	1.06	(26.9)
24	24	25	23	22	1.83	(46.5)	1.99	(50.5)	.75	(19.0)	1.91	(48.5)	1.95	(49.5)	1.19	(30.2)
28	-	-	25	24	1.99	(50.5)	2.15	(54.6)	.75	(19.0)	2.07	(52.6)	n/a		1.38	(35.1)

X-ON Electronics

Largest Supplier of Electrical and Electronic Components

Click to view similar products for [D-Sub Backshells](#) category:

Click to view products by [Glenair](#) manufacturer:

Other Similar products are found below :

[024657-0000MF](#) [024658-0000MF](#) [031-4321](#) [0349511210](#) [04.312.2056.0](#) [04.325.1056.0](#) [04.325.1256.0](#) [0528-002-6005](#) [057-0683-002](#) [057-0686-002](#) [057-0777-002](#) [057-3006-011](#) [069038X](#) [083-1H](#) [09050480501](#) [09120080427](#) [09120080429](#) [09127080301](#) [09140010301](#) [09140010311](#) [09140010721](#) [09140010722](#) [09140010723](#) [09140020301](#) [09140020950](#) [09151000301](#) [09151000302](#) [09151000305](#) [09151000307](#) [09151000308](#) [09151000309](#) [09151000310](#) [09151000311](#) [09151000363](#) [09151000364](#) [09151000373](#) [09151000374](#) [09151000401](#) [09151000402](#) [09151000403](#) [09151000481](#) [09151000482](#) [09151000483](#) [09151000491](#) [09151000492](#) [09151000493](#) [09151000601](#) [09151000602](#) [09151000603](#) [09151000701](#)