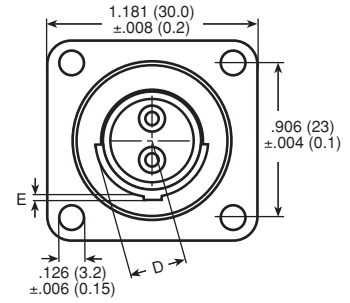
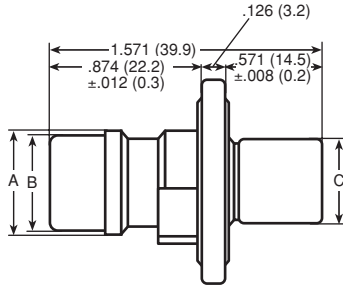


Dimensions



Sure Seal Flanged Plugs

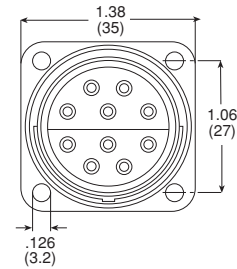
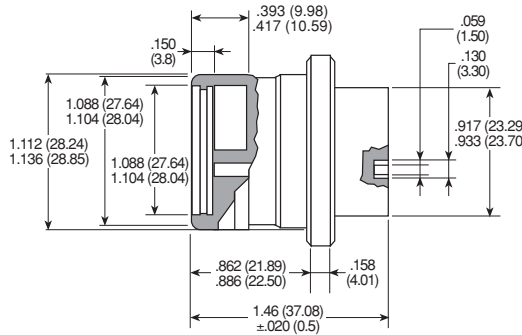
2 – 4 Circuit



Use with Mounting Plate #066-8516-000

Body Identifier	Part Number	A Dia. +.12 (0.3)	B Dia. +.008 (0.2)	C Dia. +.012 (0.3)	D Dia. +.012 (0.3)	E +.008 (0.2)
SSF-2P	120-8552-200	.547 (13.9)	.524 (13.3)	.425 (10.8)	.307 (7.8)	.039 (1.0)
SSF-3P	120-8552-201	.598 (15.2)	.583 (14.8)	.484 (12.3)	.315 (8.0)	.020 (0.5)
SSF-4P	120-8552-202	.598 (15.2)	.583 (14.8)	.484 (12.3)	.354 (9.0)	.039 (1.0)

8 – 10 Circuit

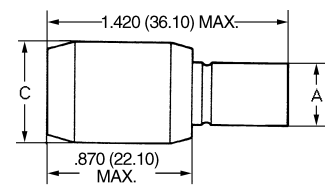
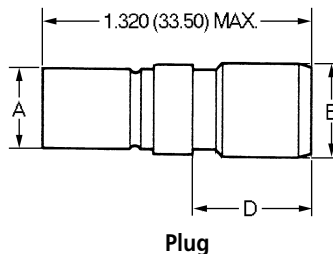


Use with Mounting Plate #066-8516-002 or #066-8516-003

Body Identifier	Plug Number
SSF-8P	120-8552-305
SSF-9P	120-8552-306
SSF-10P	120-8552-307

Mini-Sure-Seal Plugs & Receptacles

2 – 4 Circuit



Body Identifier	Plug (P) Part Number	Receptacle (R) Part Number	A Dia. Max.	B Dia. Max.	C Dia. Max.	D Max.
MSS-2 P/R	120-8552-100	120-8551-100	.340 (8.64)	.390 (9.91)	.540 (13.72)	.550 (13.97)
MSS-3 P/R	120-8552-101	120-8551-101	.360 (9.15)	.420 (10.67)	.580 (14.74)	.550 (13.97)
MSS-4 P/R	120-8552-102	120-8551-102	.360 (9.15)	.450 (11.43)	.610 (15.50)	.550 (13.97)

X-ON Electronics

Largest Supplier of Electrical and Electronic Components

Click to view similar products for [sure seal manufacturer](#):

Other Similar products are found below :

[120-1874-000](#) [BAND1](#) [BAND2](#) [BAND4](#) [BAND3](#) [120-8551-102](#) [120-1869-000](#) [120-1870-000](#) [120-8552-102](#) [120-1809-000](#) [317-8657-000](#)
[120-1806-000](#) [317-1398-000](#) [120-1808-000](#) [317-1397-000](#) [120-1805-000](#) [031-8703-100](#) [120-1807-000](#) [120-1804-000](#) [330-8672-100](#) [225-0093-000](#) [030-2196-001](#)