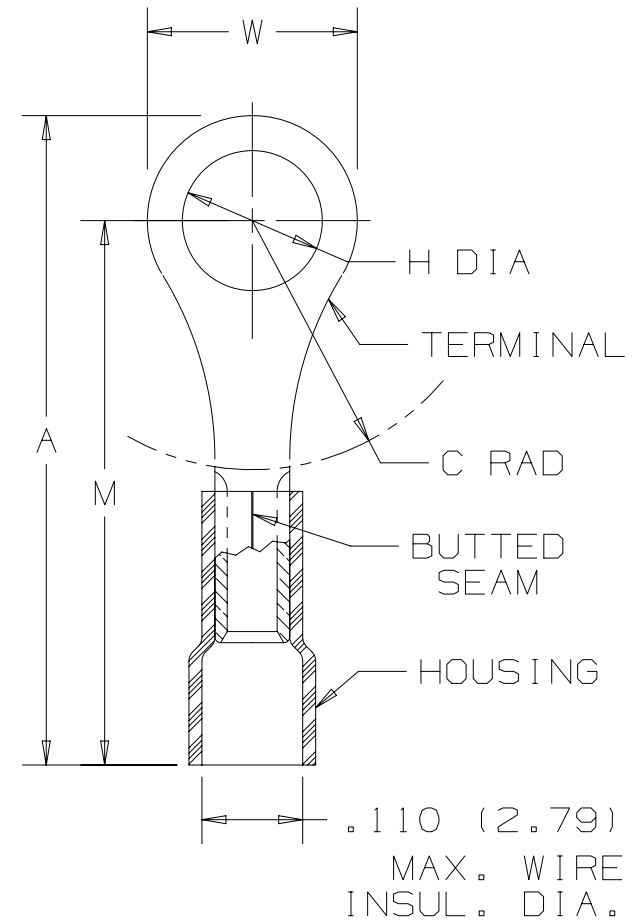


THIS COPY IS PROVIDED ON A RESTRICTED BASIS AND IS NOT TO BE USED IN ANY WAY DETRIMENTAL TO THE INTERESTS OF PANDUIT CORP.

PANDUIT PART #	STUD SIZE	DIMENSIONS in [mm]				
		A ± .03 [0,8]	W ± .01 [0,3]	C ± .02 [0,51]	M ± .03 [0,8]	H ± .01 [0,3]
PV22-2R	#2	.68 [17,27]	.21 [5,33]	.18 [4,57]	.58 [14,73]	.10 [2,54]
PV22-4R	#4	.68 [17,27]	.21 [5,33]	.18 [4,57]	.58 [14,73]	.12 [3,05]
PV22-6R	#6	.68 [17,27]	.21 [5,33]	.18 [4,57]	.58 [14,73]	.15 [3,81]
PV22-8R	#8	.78 [19,81]	.26 [6,60]	.26 [6,60]	.65 [16,51]	.17 [4,32]
PV22-10R	#10	.78 [19,81]	.32 [8,13]	.24 [6,10]	.62 [15,75]	.20 [5,08]

INSTALLATION TOOLS
CT-520
CT-1525 (A POCKET)
CT-2500 (CT-2525CH: A PKT)



NOTES:

- RECOMMENDED FOR:
 - A. #26-22 AWG SOLID OR STRANDED COPPER WIRE
 - B. 221°F [105°C] MAX TEMP. RATING
 - C. 600V MAX VOLTAGE RATING
- MATERIAL:
 - A. STAMPING - .02" [0,5] THK COPPER, TIN PLATED
 - B. HOUSING - VINYL, YELLOW
- SEE www.panduit.com FOR PACKAGE QUANTITIES
- DIMENSIONS IN BRACKETS ARE IN MILLIMETERS
- WIRE STRIP LENGTH: 3/16" ^{+1/32} ₋₀ [4,8mm ^{+0,8} ₋₀]

Panduit part numbers shown on this drawing meet the material requirements of RoHS (European Directive 2002/95/EC on the Restriction of Hazardous Substances) as proposed by the Technical Adaption Committee.

REV	DATE	BY	CHK	APR	DESCRIPTION	ECN
10	4/15	TMR	JHNU	RGB	ADDED A POCKET WITH CT-1525, CT-2500 TOOLS	N41230BA-A41230
09	1/14	JHNU	JHNU	RGB	ADDED WIRE TO MAX. INSUL. DIA.	N41230BA-A41230
08	11/13	JHNU	JHNU	RGB	BUTTED SEAM WAS BRAZED SEAM	N41230BA-A41230

TITLE		RING TERMINAL, VINYL INSULATED #26-22 AWG CUSTOMER DRAWING		
ITEM REVISION NAME		N41230BA/10		
DATASET FILE NAME		N41230BA/10		
UNLESS OTHERWISE SPECIFIED, DIMENSIONAL TOLERANCES ARE: IN [mm]		MATERIAL: SEE NOTES		
DRAWING NUMBER:		A41230		
THIRD ANGLE PROJECTION	DRAWN BY: DAW, DATE: , CHK: CJH, SCALE: NONE, SHT 1 OF 1, SIZE: A			

D101000DA/16

X-ON Electronics

Largest Supplier of Electrical and Electronic Components

Click to view similar products for [Terminals](#) category:

Click to view products by [Panduit](#) manufacturer:

Other Similar products are found below :

[HT-13-10](#) [71M-250-32-NB](#) [01-2065-1-0216](#) [00581P0075](#) [M10-10RX](#) [M10BCK](#) [60205-1](#) [604200-1](#) [60598-1-CUT-TAPE](#) [60617-1-C](#) [60873-1](#) [M14-516R/SK](#) [M14-6RSX](#) [M18-10FLX](#) [M18-8FBX](#) [M18-8R/LX](#) [M18BCK](#) [61314-6-C](#) [61-S](#) [61-SN-A](#) [62-NBM-A](#) [63-S](#) [640179-1](#) [640917-2-CUT-TAPE](#) [6501550002](#) [66107-2-C](#) [66107-4-C](#) [696683-1](#) [696834-1](#) [696861-1](#) [696931-1](#) [696999-1](#) [M8-516RK](#) [M86700006](#) [MA250DMFMX-A](#) [701-2007](#) [701-2307](#) [701-7761-03](#) [70F-110-32-PB](#) [718-N-A](#) [71M-187-20-NBL](#) [71M-250-32-NBL](#) [72F-187-20-NBL](#) [72M-250-32-NBL](#) [7310](#) [73F-250-32](#) [73F-250-32-NBL](#) [73F-250-32-NL](#) [F14-10C](#) [F-1M](#)