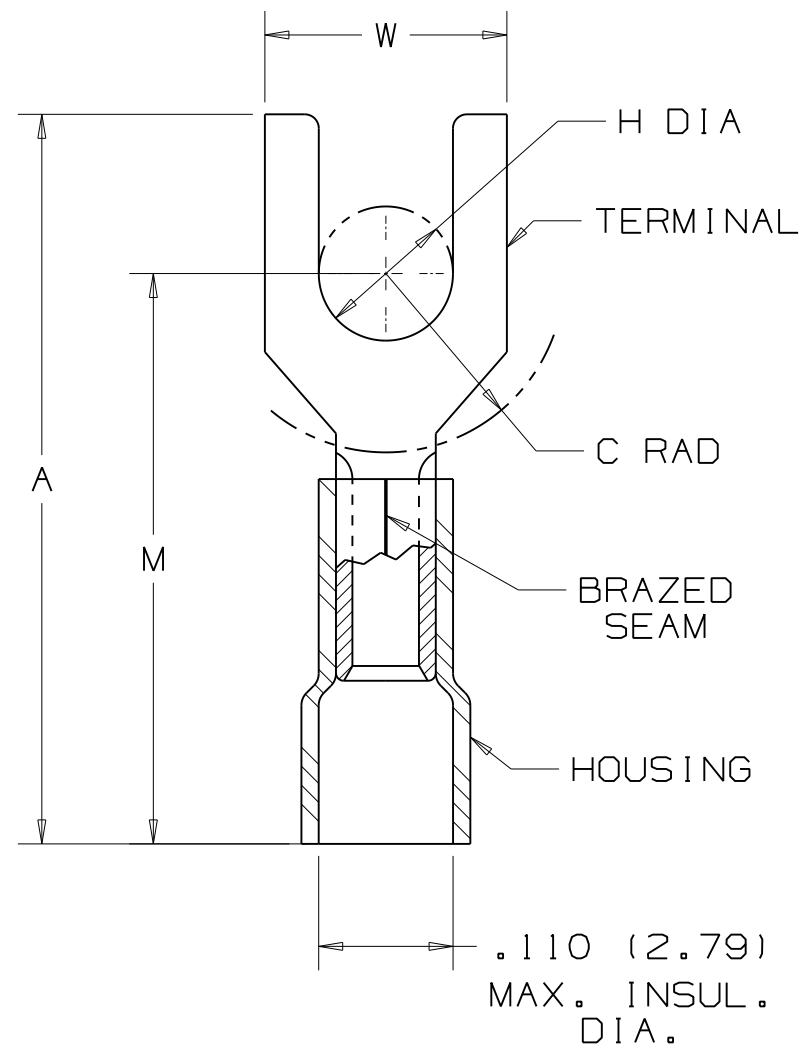



| PANDUIT PART NUMBER | STUD SIZE | DIMENSIONS in. | | | | |
|---------------------|-----------|----------------|---------------|---------------|----------------|---------------|
| | | A ±.030 | W ±.010 | C ±.015 | M ±.020 | H ±.010 |
| PV22-4F | #4 | .67 (17.02) | .20 (5.08) | .21 (5.33) | .56 (14.22) | .12 (3.05) |
| PV22-6F | #6 | .76 (19.30) | .25 (6.35) | .26 (6.60) | .62 (15.75) | .14 (3.56) |

NOTES:

- RECOMMENDED FOR:
 - A. 600V. MAX. VOLTAGE RATING
 - B. #26-22 AWG SOLID OR STRANDED COPPER WIRE
 - C. 221° F (105° C) MAX. TEMP. RATING
- MATERIAL:
 - A. STAMPING - .020 (0.51) THK COPPER, TIN PLATED
 - B. HOUSING - VINYL, YELLOW
- PACKAGE QTY: STD. PKG. -CY=100
BULK PKG. -MY=1000
- DIMENSIONS IN BRACKETS ARE IN MILLIMETERS
- INSTALLATION TOOLS: CT-520, CT-1525

Panduit part numbers shown on this drawing meet the material requirements of RoHS (European Directive 2002/95/EC on the Restriction of Hazardous Substances) as proposed by the Technical Adaptation Committee.



| | | | | | | | | |
|-----|-------|-----|-----|--|-------|------|------|---|
| 08 | 7/09 | BCT | | ADDED 'Y' ROHS COMPLIANT SUFFIX TO PKG CODES | | | |  TINLEY PARK, ILLINOIS |
| 07 | 1/01 | KMD | | CAD FILE SPEC. WAS N41232AA_PCD_06 | | | | |
| 06 | 5/99 | JKD | | ADDED CT-1525 TOOL | 07632 | | | #26-22 BARREL VINYL INSULATED FORK, .110 (2.79) MAX. WIRE INSUL. DIA. |
| 05 | 10/94 | MS | RLS | UPDATE NOTES AND DIMENSIONS | 02510 | LCA | TFKE | |
| REV | DATE | BY | CHK | DESCRIPTION | ECN | CUST | PM | DRAWN BY: DAW CHK'D: CH SCALE: NONE DRAWING NO.: A41232 |

X-ON Electronics

Largest Supplier of Electrical and Electronic Components

Click to view similar products for [Terminals](#) category:

Click to view products by [Panduit](#) manufacturer:

Other Similar products are found below :

[HT-13-10](#) [71M-250-32-NB](#) [01-2065-1-0216](#) [00581P0075](#) [M10-10RX](#) [M10BCK](#) [60205-1](#) [604200-1](#) [60598-1-CUT-TAPE](#) [60617-1-C](#) [60873-1](#) [M14-516R/SK](#) [M14-6RSX](#) [M18-10FLX](#) [M18-8FBX](#) [M18-8R/LX](#) [M18BCK](#) [61314-6-C](#) [61-S](#) [61-SN-A](#) [62-NBM-A](#) [63-S](#) [640179-1](#) [640917-2-CUT-TAPE](#) [6501550002](#) [66107-2-C](#) [66107-4-C](#) [696683-1](#) [696834-1](#) [696861-1](#) [696931-1](#) [696999-1](#) [M8-516RK](#) [M86700006](#) [MA250DMFMX-A](#) [701-2007](#) [701-2307](#) [701-7761-03](#) [70F-110-32-PB](#) [718-N-A](#) [71M-187-20-NBL](#) [71M-250-32-NBL](#) [72F-187-20-NBL](#) [72M-250-32-NBL](#) [7310](#) [73F-250-32](#) [73F-250-32-NBL](#) [73F-250-32-NL](#) [F14-10C](#) [F-1M](#)