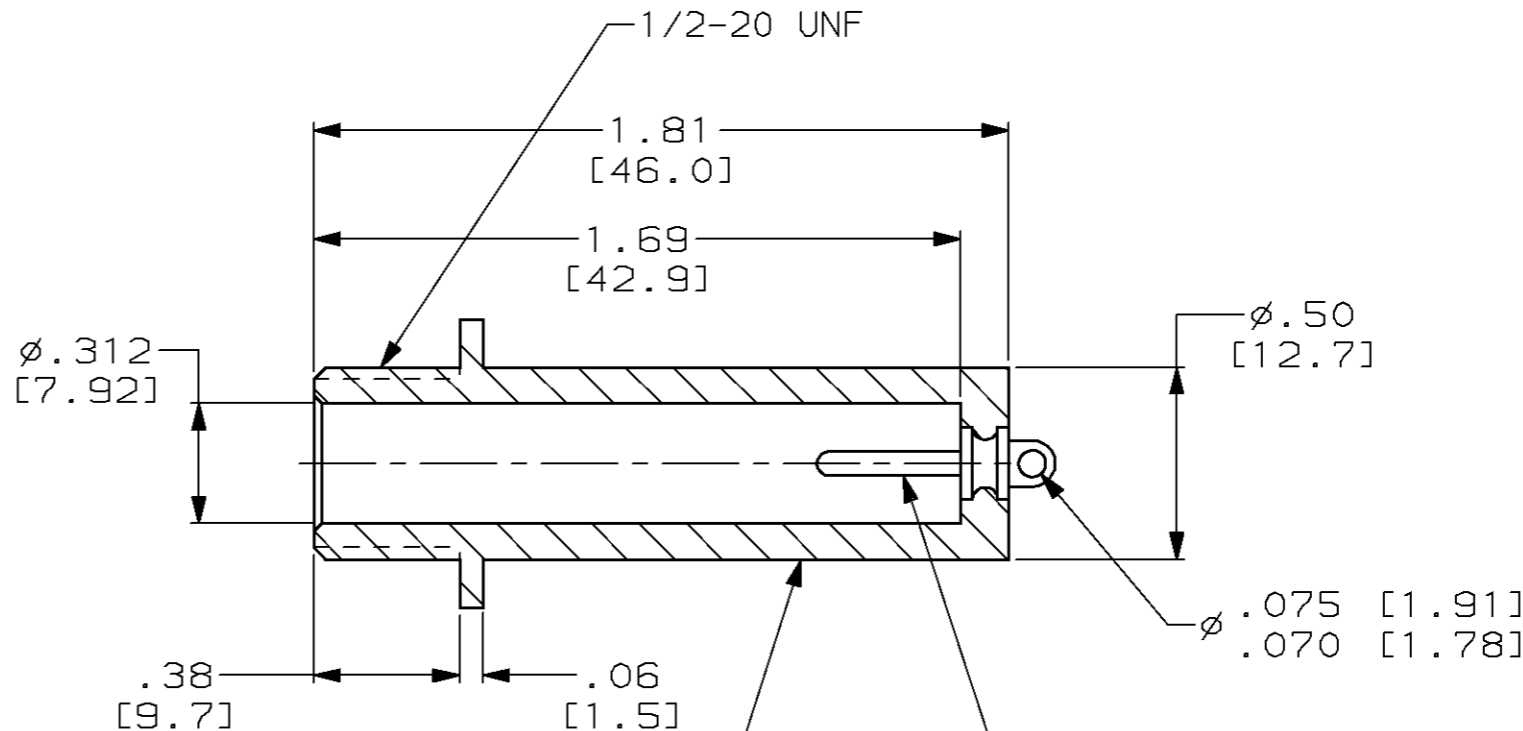
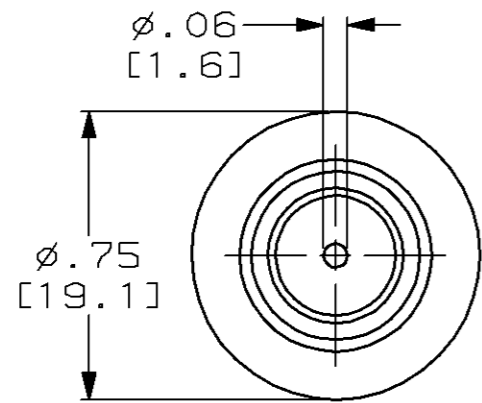


THIS DRAWING IS UNPUBLISHED. RELEASED FOR PUBLICATION, 19 .
 © COPYRIGHT 19 BY AMP INCORPORATED. ALL INTERNATIONAL RIGHTS RESERVED.

PROD 4087
 LOC DF
 DIST 50
 P F

REVISIONS		DATE	APPD
ZONE	LTR	DESCRIPTION	
	0	RELEASED PER 0600-2403-94 CT	7-94 DW
	A	REV PER 0600-6570-97 JB	03-98 SG



RCPT HOUSING
 MAT'L: EPOXY MLDG. CMPD.
 COLOR: RED

TERMINAL
 MAT'L: BRASS PER ASTM-B-16
 FINISH: $\triangle 3$

- RECEPTACLE TO MATE WITH ANY LGH-1L WITH A END LENGTH OF 1.69 [42.9].
- MARKED PER MIL-STD-130.
- $\triangle 3$ PLATED GOLD .000030 MIN THK PER MIL-G-45204 OVER NICKEL .000100 MIN THK PER QQ-N-290.

THIS DRAWING IS A CONTROLLED DOCUMENT FOR AMP INCORPORATED. IT IS SUBJECT TO CHANGE AND THE CONTROLLING ENGINEERING ORGANIZATION SHOULD BE CONTACTED FOR THE LATEST REVISION.

449925-1
 PART NO.

DO NOT SCALE PRINT. UNLESS SPECIFIED DIMENSIONS IN INCHES [mm] TOLERANCES ON: 2 PLC DEC ± .01 [0.25] 3 PLC DEC ± .005 [0.13] ANGLES ± -	DR 7-12-94 C.C. THOMAS
MATERIAL SEE CALLOUTS	CHK 7-16-94 D. WEYANDT
COLOR SEE CALLOUTS	APPD 7-16-94 D. WEYANDT
	RLSE 7-16-94 C.C. THOMAS
	PRODUCT SPEC -
	APPLICATION SPEC -
	WEIGHT -

AMP AMP Incorporated Harrisburg, PA 17105-3608		
NAME FLANGED RCPT, LGH-1L		
SIZE B	CAGE CODE 00779	DRAWING NO C-449925
SCALE 2:1	SHEET 1 OF 1	

X-ON Electronics

Largest Supplier of Electrical and Electronic Components

Click to view similar products for [Headers & Wire Housings](#) category:

Click to view products by [TE Connectivity](#) manufacturer:

Other Similar products are found below :

[95000-104TRLF](#) [10135584-644402LF](#) [DF62W-EP2022PCA](#) [95000-106TRLF](#) [DF62W-2022SCA](#) [DF62W-EP2022PC](#) [2203348](#) [DF62W-2022SC](#) [1084018](#) [1029039](#) [1084017](#) [802-10-012-10-002000](#) [1112640](#) [1112639](#) [000-34000](#) [0009482033](#) [0009507031](#) [57102-S06-03LF](#) [57202-S52-04LF](#) [PCN6-15S-2.5E](#) [0039019024](#) [58102-G61-06LF](#) [582553-1](#) [0009485154](#) [0009508121](#) [0022285053](#) [0050291907](#) [018731A](#) [LY20-4P-DT1-P1E-BR](#) [02.125.8002.8](#) [60101931](#) [60598-1 \(Cut Strip\)](#) [M1625-3R/100](#) [61062-3](#) [61082-181009](#) [636-1427](#) [638009-1](#) [641938-9](#) [641991-4](#) [644168-1](#) [647662-1](#) [65039-019ELF](#) [65781-018](#) [65781-047](#) [65817-002LF](#) [65817-015LF](#) [65863-015LF](#) [66207-023LF](#) [67016-026LF](#) [67046-001LF](#)