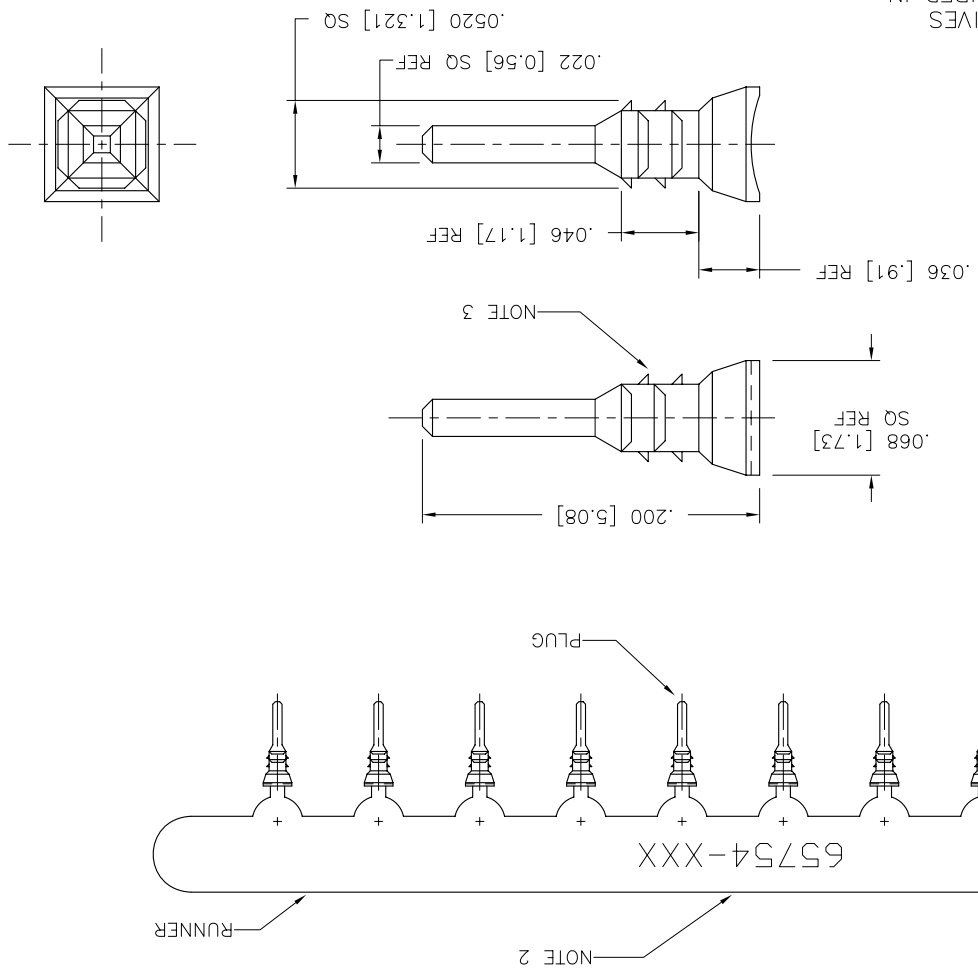




PRODUCT NO	65754-001
	65754-001
	65754-001LF

- NOTES:
- ① MATERIAL: NYLON.
 - ② MOLDED INTO GROUPS OF 10 ATTACHED TO RUNNER.
 - ③ SERRATED LOCKING SURFACES.
 4. MATES WITH ALL BERGCON HORIZ. CARD CONNECTORS.
 5. PRESS PLUG INTO PIN LEAD-IN OF CONNECTOR HOUSING AND BREAK OFF RUNNER.
 6. THIS PRODUCT MEETS EUROPEAN UNION DIRECTIVES AND OTHER COUNTRY REQUIREMENTS AS DESCRIBED IN GS-22-004.
 7. ADD SUFFIX LF TO END OF PART NUMBER FOR LEAD FREE OPTION.
 8. THIS PRODUCT WILL WITHSTAND 260° C PEAK TEMPERATURE FOR 10 SECONDS IN A WAVE SOLDER PROCESS.



mat'l. code		NOTE 1	
ltr	ecn no	dr	date
A	V02961	MDP	1/12/01
B	V06-0049	DAI	02/08/06
linear		.XXX ±.005/.XXX±.13	
angles		0° ±.5°	
dr	M. FETROW	1/12/01	
engr	H. SUNDY	1/12/01	
chr	H. SUNDY	1/12/01	
opdd	H. SUNDY	1/12/01	
projection		10:1	
scale		10:1	
title		CUSTOMER COPY	
FCI Electronics		www.fciconnect.com	
BERGCON HORIZ. CARD CONN. PLAZING PLUG		product family	
CARD CONN.		size	
213		dwg no	
65754		sheet	
1 of 1		sheet	
index		revision	
sheet		B	
1		1	

X-ON Electronics

Largest Supplier of Electrical and Electronic Components

Click to view similar products for [Accessories for Robotics and RC](#) category:

Click to view products by [FCT Electronics](#) manufacturer:

Other Similar products are found below :

[56T705](#) [015-9516-002](#) [01.001.6453.0](#) [641763-8](#) [CW106-01X](#) [CW30101A](#) [CW31701A](#) [D2041839](#) [70.352.0628.0](#) [73.353.4028.1](#) [FB22001A](#)
[FB30601A](#) [9009030000](#) [9501](#) [121587-0026](#) [1218510-1](#) [1218629-4](#) [1218630-4](#) [1261000A00M001](#) [128-26-5](#) [RFI77-14](#) [1367251-2](#) [14](#) [1-](#)
[449604-1](#) [1460g4](#) [1470g4](#) [DV0PM20034](#) [MS27488-16-1](#) [MS3057-12A W/B](#) [MS3057-8A-624](#) [MS600-2-XP-1A](#) [MS-602-GEE-14-07C](#)
[MS603-12-01A](#) [MS90376-14R](#) [MS90376-16RB](#) [MTB1-11PH3](#) [1676610000](#) [1A9224 REV A](#) [210-115](#) [CA20L22](#) [2227383-1](#) [225-0090-000](#)
[225-0098-000](#) [KA-89-82](#) [CB20201X](#) [KC-89-104](#) [CB30601A](#) [CB31201A](#) [236-600](#) [CBC120210-752](#)