

# SWITCHES

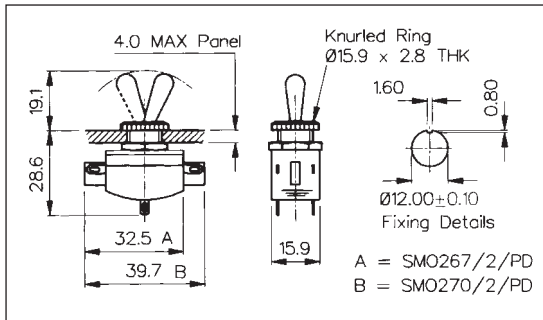


## Toggle

### DOUBLE POLE



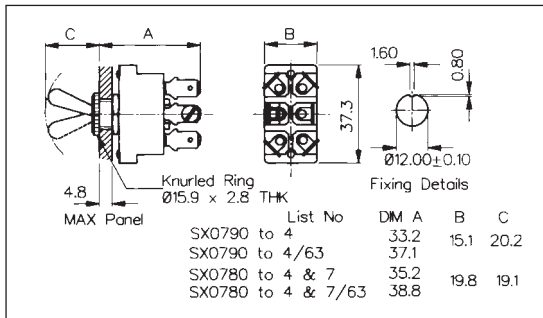
- SM0267/2/PD - D.P.M.B  
SM0270/2/PD - D.P.C.O
- Solder tags
- 2A, 250V a.c.



### DOUBLE POLE



- 6.3mm tabs or Screw Terminals
- 10A, 250V a.c.



Double Pole List No.	Description	1	2	3
SX0780	Change-over. Centre off	ON	OFF	ON
SX0782	Change-over. Centre off Two position biased off	ON	OFF	ON
SX0783	Change-over Two positions only	ON	-	ON
SX0784	ON/OFF Two positions only	OFF	-	ON
SX0787	Change-over. Two positions only biased to one position	ON	-	ON

Specification	SM0267/2/PD, SM0270/2/PD	SX0780 Series
Terminations:	Solder Tags	Screw Terminals
Switching:	SM0267/2/PD - D.P.M.B. 2 pairs of contacts SM0270/2/PD - D.P.C.O. 3 pairs of contacts (Quick Make/Break)	See table for types Slow Make, Slow Break
Max. Rating:	2A, 250V a.c.	10A, 250V a.c. 10A, 0-28V d.c. (non-reactive circuits)
Contact Resistance:	<10mΩ	<10mΩ
Insulation Resistance:	>10 <sup>3</sup> MΩ	>10 <sup>3</sup> MΩ
Dielectric Strength:	>3.5kV a.c.	>2.5kV a.c.
Operating Temp. Range:	-20°C to +70°C	-20°C to +85°C
Materials:		
Mouldings:	Phenolic	Glass Filled Polyester
Tags:	Copper, Silver Plated	Brass, Silver Plated
Contacts/Terms:	Copper Silver Alloy	Copper with Silver face
Variants:	-	/63 (6.3mm tabs)
Accessories:	SX0550 (see page 175)	SX0550 (see page 175)

SWITCHES

## X-ON Electronics

Largest Supplier of Electrical and Electronic Components

*Click to view similar products for [Toggle Switches](#) category:*

*Click to view products by [Bulgin](#) manufacturer:*

Other Similar products are found below :

[8A1-C-222](#) [60012L](#) [6006L](#) [6663](#) [7101MD9V30GE](#) [7101SPDV30BE](#) [7103SDV30BE](#) [7105D](#) [7108P3YAV2BE](#) [71YY50282](#)  
[7201MD9AVBE](#) [7301K38](#) [7306K36](#) [7310K36](#) [7314K36](#) [7506K4](#) [7592K6](#) [7691K14](#) [7700K1](#) [8396K108](#) [8824K14](#) [8828K13](#) [G2VX](#) [G3VX](#)  
[PS83-121G](#) [A101MD9AB04](#) [A101SD9AB04](#) [A101SDCQ04](#) [A103SD9AQ04](#) [A107TZB04](#) [A123P32YZQ](#) [A123S1YZG](#) [A127S1YCQ](#) [1-](#)  
[1825192-0](#) [A131S1YZQ](#) [A201SCWZB04](#) [A207SYCB04](#) [A208J61ZQ0004](#) [A221K12KAG](#) [A221S1YZQ](#) [A221T1TCQ](#) [A232K12KZQ](#)  
[A232M1YCQ](#) [A323S1CWZQ](#) [A423S1CWZG-M8](#) [A423S1YZQ](#) [12149A-3V](#) [12156AX408](#) [12147AGKX679](#) [12149AD2G0383VX408](#)