

rotronic

Datenblatt - Fiche technique - Data sheet

12.02.1048



ROLINE Konverter USB / 2fach Seriell,

ROLINE Convertisseur USB / 2 x sériel,

ROLINE USB to 2x RS-232 Converter,



Features

- Expands 2/1 independent RS-232 serial ports through USB interface
- Supports Universal Serial Bus Plug-n-Play and Hot-Swapping feature
- No IRQ, DMA, I/O address resource required
- Supports USB1.1 full speed 12Mbps and USB2.0 compatible
- Each serial port provides transmission rate up to 115.2Kbps
- 15KV ESD Surge protection for all serial signals
- Compact Size and low power consumption
- Supports both USB bus power and external power
- Support Windows CE / 98 / ME / 2000 / XP / 2003 and Linux Driver

Overview

ComHub UTS series transform your Universal Serial Bus (USB) port into asynchronous RS-232 serial ports for communication with serial devices. The adapter is compatible with both USB 2.0 and 1.1 specifications and provides serial ports with transfer

speed up to 115.2Kbps. It provides a quick, simple and cost-effective way to bring the advantages of data accessibility and mobile solution for kinds of application.

Specifications

USB Communication

Bus	Universal Serial Bus (USB)
Standard	Compliant with USB1.0, 1.1 and 2.0
Connector	USB Type A
Speed	Full speed 12Mbps

Serial Communication

Interface	RS-232
Controller	Prolific 2303HX 16C550 Compatible UART
No. of Port	2-port: UTS2009 1-port: UTS1009/1009D/1025
Port Type	DB9 Male: UTS2009 / 1009 / 1009D DB25 Male: UTS1025
IRQ & IO	Assigned by System
FIFO	16byte hardware FIFO
Baud Rate	75 – 115,200bps
Data bit	5, 6, 7, 8
Stop bit	1, 1.5, 2
Parity	Even, Odd, None, Mark, Space

Flow Control	None, Xon/Xoff, HardWare
Signal	TxD, RxD, RTS, CTS, DTR, DSR, DCD, GND
Protection	15KV ESD protection for all signal

Power

Input Power	USB Bus-power
Power	2-port: < 1.0W=5V x 200mA
Consumption	1-port: < 0.8W=5V x 150mA

Driver Support

Microsoft	Windows CE4.2/98/ME/2000/XP/2003
Linux	Linux 2.2.x, 2.4.x
MAC	MAC 8.6 or later

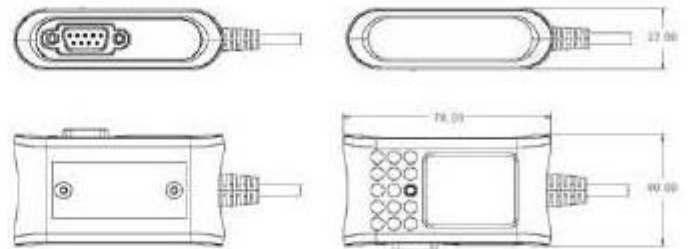
Mechanical

Dimensions (WxDxH)	75 x 40 x 22 mm: UTS2009 / 1009 / 1025 51 x 33 x 15 mm: UTS1009D
Case	ABS
Weight	114±5g
Cable Length	150mm

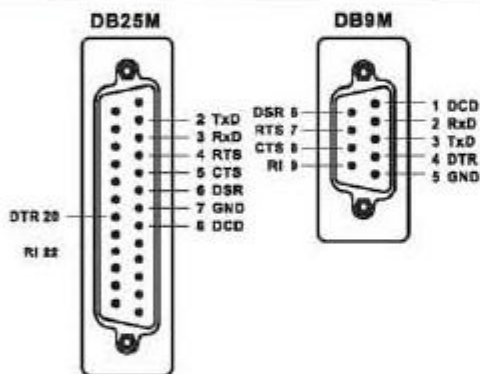
Regulatory Approvals
Hardware CE, FCC
Software Microsoft WHQL

Operation Environment
Operation Temperature 0°C ~ 57°C
Operation Humidity 5 ~ 95 % RH
Storage Temperature -20°C ~ 85°C

Appearance



Pin Assignment



Order Information

2 ports USB to RS-232 Serial Hub with DB9M connector

Packing List

1. USB to RS-232 Serial Hub
2. Quick Installation Guide
3. User's Manual and CD ROM Driver

X-ON Electronics

Largest Supplier of Electrical and Electronic Components

Click to view similar products for [USB Cables / IEEE 1394 Cables](#) category:

Click to view products by [Roline](#) manufacturer:

Other Similar products are found below :

[68768-0173](#) [FNY-W6003-01](#) [88764-0800](#) [13805532](#) [148700-1](#) [17-200621](#) [17-250051P](#) [954](#) [AC102012-2](#) [IP-USB1\(C10\)S-RW](#)
[CABLE/RTP/USB/DT](#) [10115240-12200LF](#) [RS232-GTD](#) [USBFTVX2SA2N03A](#) [USBFTV2SA2N03A](#) [1689404-1](#) [FTP-629Y401](#) [FTP-](#)
[628Y402](#) [943301-001](#) [FNY-W6022](#) [FNY-W6003-03](#) [1310-1015-05](#) [1310-1018-04](#) [1310-1019-04](#) [0887283402](#) [UA-30AMFM-SL7B02](#) [UA-](#)
[30AMFM-SL7B01](#) [UA-30AFM-LD7B03](#) [UA-30AMFM-SL7B03](#) [USBAPSCC7202A](#) [UES-1001A160](#) [UES-1003A160](#)
[USBFTVX7SA2N20A](#) [USBFTVX2SA2N20A](#) [USBFTV2PEMSA2N10A](#) [FTP-629Y602](#) [USBCAMCM100](#) [USB A/F*2 to 2.54 2*5P-SH](#)
[L=400mm](#) [EP-CBUSB10P2FLT](#) [1310-1033-01](#) [1310-1037-04](#) [ASR-USB](#) [68784-0075](#) [17-241361](#) [17-230471](#) [217B-BC02](#) [USB-29](#) [19800-](#)
[010500-200-RS](#) [USB+MINI DIN 6P WITH BKT](#) [088738-8100](#)