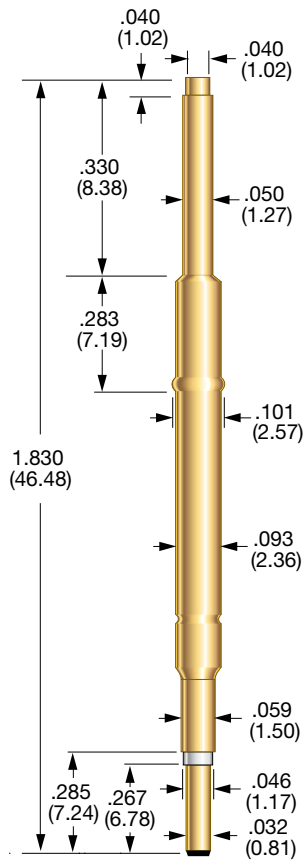


Switch Probes

The most common use for Switch Probes is in the cable harness testing industry. The Switch Probe is used to verify the correct location of a terminal in a connector while also checking the retention force. In addition, Switch Probes also verify the presence of non conductive components such as caps for connectors or devices on a circuit board. There are two separate current paths in a Switch Probe. From the plunger tip to the tail is normally open and closes only after the probe deflects to the designated travel. The second path, from the plunger tip to the outside of the receptacle, is always closed.

SIZE 3 SWITCH PROBE



PROBE SPECIFICATIONS

Minimum Centers: .125 (3.18)
Current Rating: 3 amps continuous
Maximum Travel: .295 (7.49)
Working Travel: .197 (5.00)
Travel to Switch Point: .025 (0.64)
Spring Force at Switch Point: 1.8 oz.

| Rated Force oz. (g) | Rated Force @ Switch oz. (g) | Preload oz. (g) |
|------------------------|---------------------------------|--------------------|
| 4.0 (114) | 1.8 (51) | 1.4 (40) |

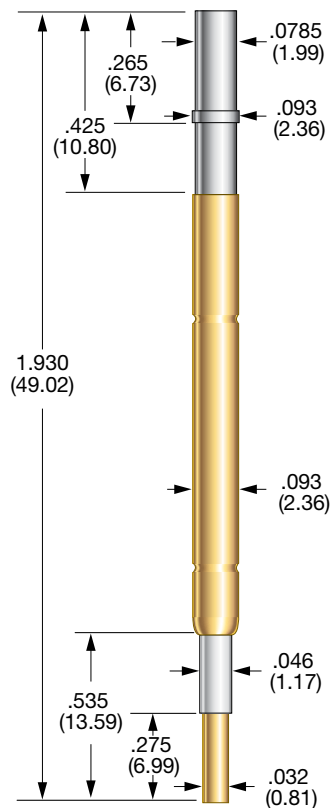
MATERIALS

Barrel: Nickel/silver, gold plated
Spring: Music wire
Plungers: Full-hard beryllium copper, gold plated
Insulator: Delrin
Contact: Beryllium copper, gold plated

MOUNTING

Drill Size: #41
Mounting Hole Size: .094/.096 (2.39/2.44)
 The size 3 switch probe shown does not require a receptacle. The barrel of the switch probe is designed to mount directly in the mounting plate.

SIZE 4 SWITCH PROBE



PROBE SPECIFICATIONS

Minimum Centers: .156 (3.96)
Current Rating: 3 amps continuous
Maximum Travel: .160 (4.06)
Working Travel: .120 (3.05)
Travel to Switch Point: .107 (2.72)
Spring Force at Switch Point: 4.4 oz.

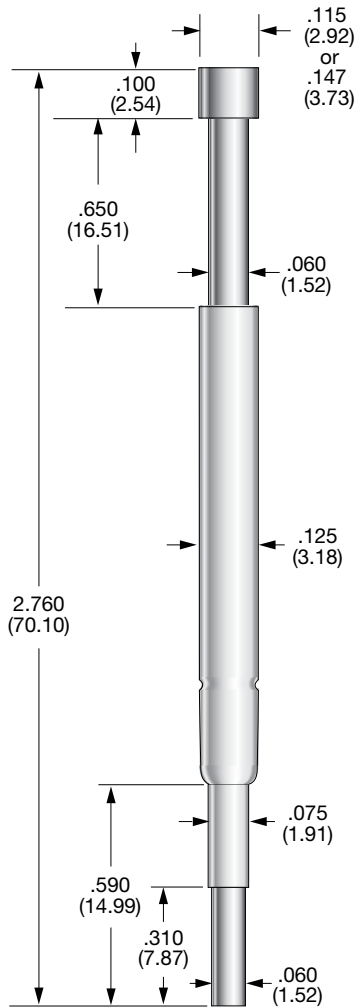
| Rated Force oz. (g) | Rated Force @ Switch oz. (g) | Preload oz. (g) |
|------------------------|---------------------------------|--------------------|
| 4.8 (136) | 4.4 (125) | 2.5 (71) |

MATERIALS

Barrel: Nickel/silver, gold plated
Spring: Stainless steel
Plunger: Beryllium copper, nickel plated
Insulator: Delrin
Contact: Beryllium copper, gold plated

Specifications subject to change without notice. Dimensions in inches (millimeters)

SIZE 5 SWITCH PROBE



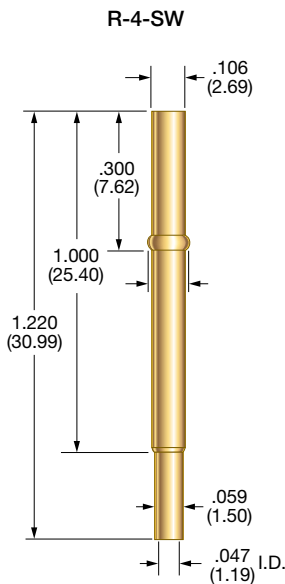
PROBE SPECIFICATIONS

Minimum Centers: .187 (4.75)
Current Rating: 3 amps continuous
Maximum Travel: .190 (4.83)
Working Travel: .137 (3.48)
Travel to Switch Point: .030 (0.76)
Spring Force at Switch Point: 4.0 or 10.3 oz.

| Rated Force oz. (g) | Force @ Switch oz. (g) | Preload oz. (g) | Material |
|------------------------|---------------------------|--------------------|----------|
| 8.6 (244) | 4.0 (113) | 1.8 (51) | SS |
| 20.4 (579) | 10.3 (293) | 5.2 (148) | MW |

MATERIALS

Barrel: Nickel/silver, silver plated
Spring: Music wire or stainless steel
Plunger: Beryllium copper, nickel plated
Insulator: Delrin
Contact: Beryllium copper, nickel plated



PROBE SPECIFICATIONS

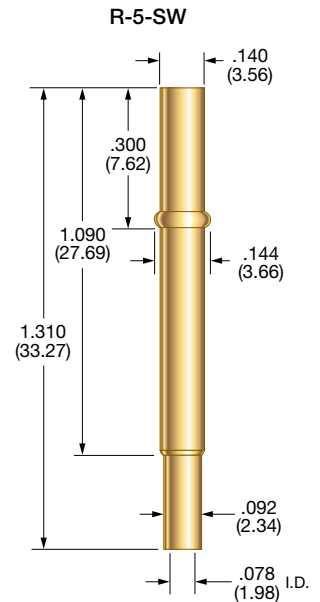
Minimum Centers: .156 (3.96)
Drill Size: #35
Mounting Hole Size:
 .108/.110 (2.74/2.79)

MATERIALS

Nickel/silver, gold plated

HOW TO ORDER

R-4-SW



PROBE SPECIFICATIONS

Minimum Centers: .187 (4.75)
Drill Size: 3.6mm
Mounting Hole Size:
 .141/.143 (3.58/3.63)

MATERIALS

Nickel/silver, gold plated

HOW TO ORDER

R-5-SW

HOW TO ORDER

| SW SPRING CONTACT PROBE | 5 SIZE | F TIP STYLE | 4.0 SPRING FORCE AT SWITCH | EN PLATING OPTIONS | 115 HEAD DIAMETER |
|----------------------------------|-----------------|--------------------------------------|--|--|-------------------------|
| | SIZE: 3, 4 OR 5 | SIZE 3: CS SIZE 4: C SIZE 5: F | SIZE 3: 1.8 SIZE 4: 4.4 SIZE 5: 4.0,10.3 | SIZE 3: G-GOLD SIZE 4: EN-NICKEL SIZE 5: EN-NICKEL | SIZE 5: 115 OR 147 |

VIEW UPDATES OF THIS INFORMATION AT WWW.IDINET.COM

Specifications subject to change without notice. Dimensions in inches (millimeters)

X-ON Electronics

Largest Supplier of Electrical and Electronic Components

Click to view similar products for [interconnect devices](#) manufacturer:

Other Similar products are found below :

[Interconnect Devices](#)