

CODIX523, Timer or short time meter

- High count speed, numerous programming options
- Display programmable in sec., min., hrs., or h.min.sec
- Wide power supply range

Resolution up to 0.001 sec
programmable via decimal point

Large, bright display, 8 mm high

Programmable set value



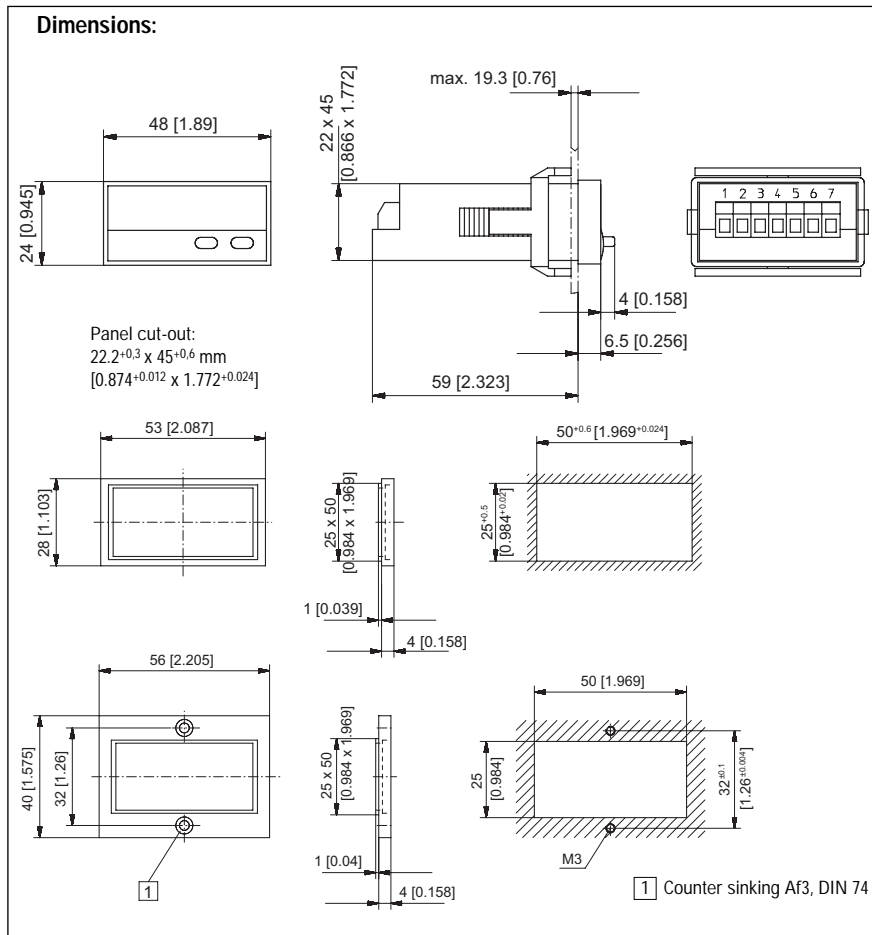
Gate, start and stop
via 2 inputs

Big keys for use when
wearing gloves

Technical data:

Supply voltage:	10 ... 30 V DC, with reverse polarity protection
Current consumption:	max. 50 mA
Display:	6 digit red 7-segment LED; 8 mm [0.315"] high
Data backup:	EEPROM
Housing:	Dimensions 48 x 24 mm [1.89 x 0.945"] according to DIN 43 700; RAL 7021, grey
Polarity of Inputs:	programmable, npn or pnp for all inputs
Input resistance:	approx. 5 kΩ
Resolution:	up to 0.001 s
Reset time:	5 ms

Level of inputs:	Low: 0 ... 0.2 x U _B High: 0.6 x U _B ... 30 V DC
Level of inputs:	Low: 0 ... 2 V DC 5 V version High: 4 ... 30 V DC
Optocoupler output:	Max. 30 V, 10 mA
Accuracy:	<50 ppm
Ambient temperature:	-10 ... +50 °C [14 °F ... 122 °F], non-condensing
Storage temperature:	-25 ... +70 °C [-13 °F ... 158 °F]
EMC:	according to EC EMC directive 89/36/EWG
Immunity to interference:	EN 61 0006-4/EN 55011 class B
Emitted interference:	EN 61 000-6-2
Protection:	IP65 (front)
Weight:	approx. 50 g [1.764 oz]



Connections:

without optocoupler

- 1 10 ... 30 VDC
- 2 0 V GND
- 3 INP A
- 4 INP B
- 5 Reset



Connections:

with Optocoupler (npn)

- 1 10 ... 30 VDC
- 2 0 V GND
- 3 INP A
- 4 INP B
- 5 Reset
- 6 Emitter
- 7 Collector



Delivery specification

- 1 Digital display
- 1 Panel mounting clip
- 1 Bezel for screw mounting, panel cut out 50 x 25 mm [1.969 x 0.984"]
- 1 Bezel for clip mounting, panel cut out 50 x 25 mm [1.969 x 0.984"]
- 1 Seal
- 1 Multilingual operating instructions

Order code:

6.523.01X.3X0

Level of inputs
0 = Standard
A = 5 V

Output
1 = Optocoupler
2 = no output

X-ON Electronics

Largest Supplier of Electrical and Electronic Components

Click to view similar products for [kübler](#) manufacturer:

Other Similar products are found below :

[05.2400.1122.0360](#) [3.167.211.075](#) [6.529.012.300](#) [05.2400.1122.0100](#) [3.100.200.383](#) [1.130.000.033](#) [1.150.510.013.550](#) [6.521.012.300](#)
[1.150.510.012.550](#) [3.102.101.383](#)