

COMX521, Position indicator or totalizer

- High count speed, numerous programming options, big keys also for when wearing gloves
- Count difference of both inputs, up/down mode, Count sum of both inputs, up/up mode, phase discriminator (quadrature) with pulse doubling or quadrupling

NPN or PNP inputs, max. 60 kHz

Large, bright display, 14mm high

Scaling factor 0.0001 ... 99.9999

Division factor 0.0001 ... 99.9999



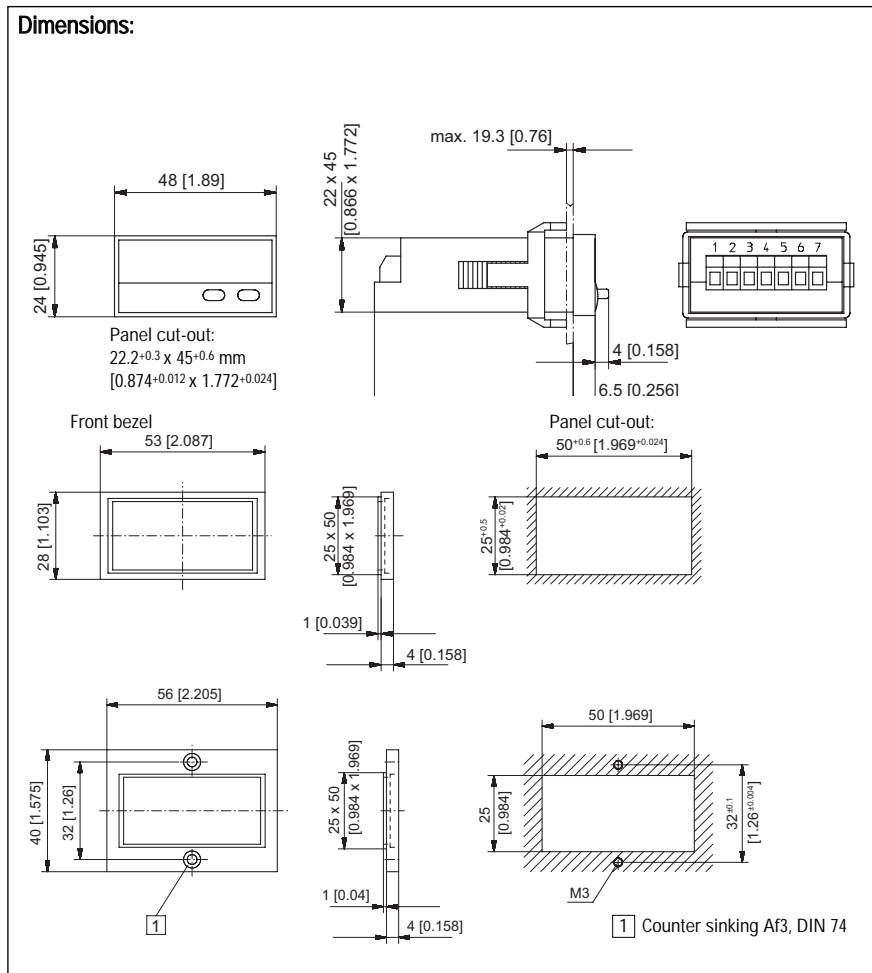
Wide power supply range

2 programmable count inputs

Technical data:

Supply voltage:	10 ... 30 V DC, with reverse polarity protection	Level of inputs:	Low: 0 ... 0.2 [0 ... 0.008"] x U _B [V DC] High: 0.6 [0.024"] x U _B ... 30 V DC
Current consumption:	max. 50 mA	Level of inputs:	Low: 0 ... 2 V DC 5 V version High: 4 ... 30 V DC
Display:	6 digit red 7-segment LED; 8 mm [0.315"] high	Optocoupler output:	Max. 30 V, 10 mA
Data backup:	EEPROM	Ambient temperature:	-10 ... +50 °C [14 °F ... 112 °F], non-condensing
Housing:	Dimension 48 x 24 mm [1.89 x 0.945"] according to DIN 43 700; RAL 7021, grey	Storage temperature:	-25 ... +70 °C [-13 °F ... 158 °F]
Polarity of Inputs:	programmable, npn or pnp for all inputs	EMC:	according to EC EMC directive 89/36/EWG
Input resistance:	approx. 5 kΩ	Interference emission:	61000-6-4/EN 55011 class B
Counting frequency:	max. 60 kHz, can be damped to 30 Hz at position display max. 25 kHz	Interference resistance:	EN 61000-6-2
Reset time:	5 ms	Protection:	IP65 (front)
		Weight:	approx. 50 g

Dimensions:



Connections:

without Optocoupler

- 1 10 ... 30 VDC
- 2 0 V GND
- 3 INP A
- 4 INP B
- 5 Reset



Connections:

with Optocoupler

- 1 10 ... 30 VDC
- 2 0 V GND
- 3 INP A
- 4 INP B
- 5 RESET
- 6 Emitter
- 7 Collector



Delivery specification:

- 1 Digital display
- 1 Panel mounting clip
- 1 Bezel for screw mounting, panel cut out 50 x 25 mm [1.969 x 0.984"]
- 1 Bezel for clip mounting, panel cut out 50 x 25 mm [1.969 x 0.984"]
- 1 Seal
- 1 Multilingual operating instructions

Order code:

6.521.01X.3X0

Level of inputs
0 = Standard
A = 5 V

Output
1 = Optocoupler
2 = no output

X-ON Electronics

Largest Supplier of Electrical and Electronic Components

Click to view similar products for [kübler](#) manufacturer:

Other Similar products are found below :

[05.2400.1122.0360](#) [3.167.211.075](#) [6.529.012.300](#) [05.2400.1122.0100](#) [3.100.200.383](#) [1.130.000.033](#) [1.150.510.013.550](#) [6.521.012.300](#)
[1.150.510.012.550](#) [3.102.101.383](#)