

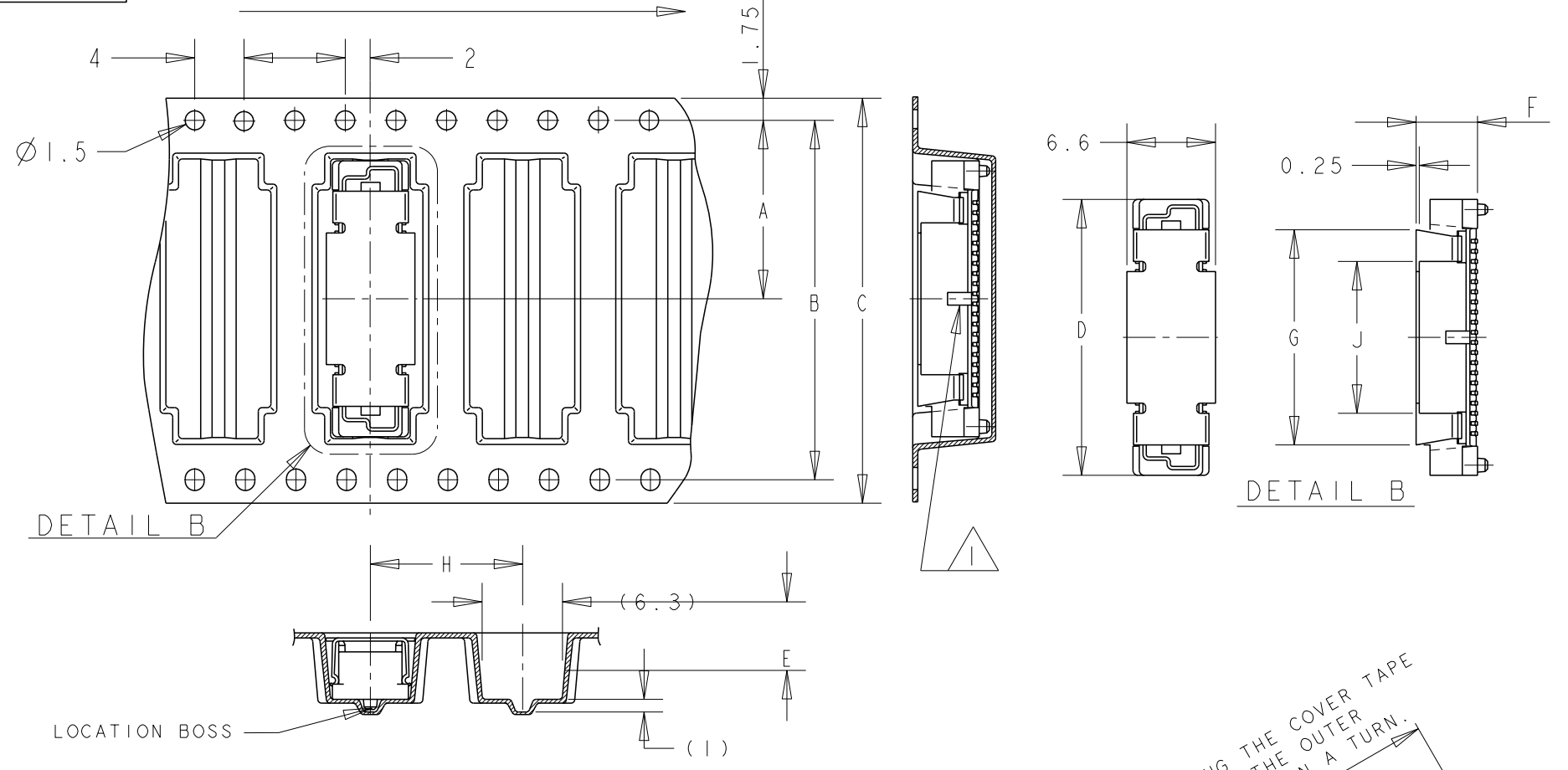
THIS DRAWING IS UNPUBLISHED. RELEASED FOR PUBLICATION 20
 © COPYRIGHT 20 BY - ALL RIGHTS RESERVED.

LOC DY	DIST -	REVISIONS		
P	LTR	DESCRIPTION	DATE	DWN APVD
E4		ADD new p/n with width cavity	15APR15	I.T W.H

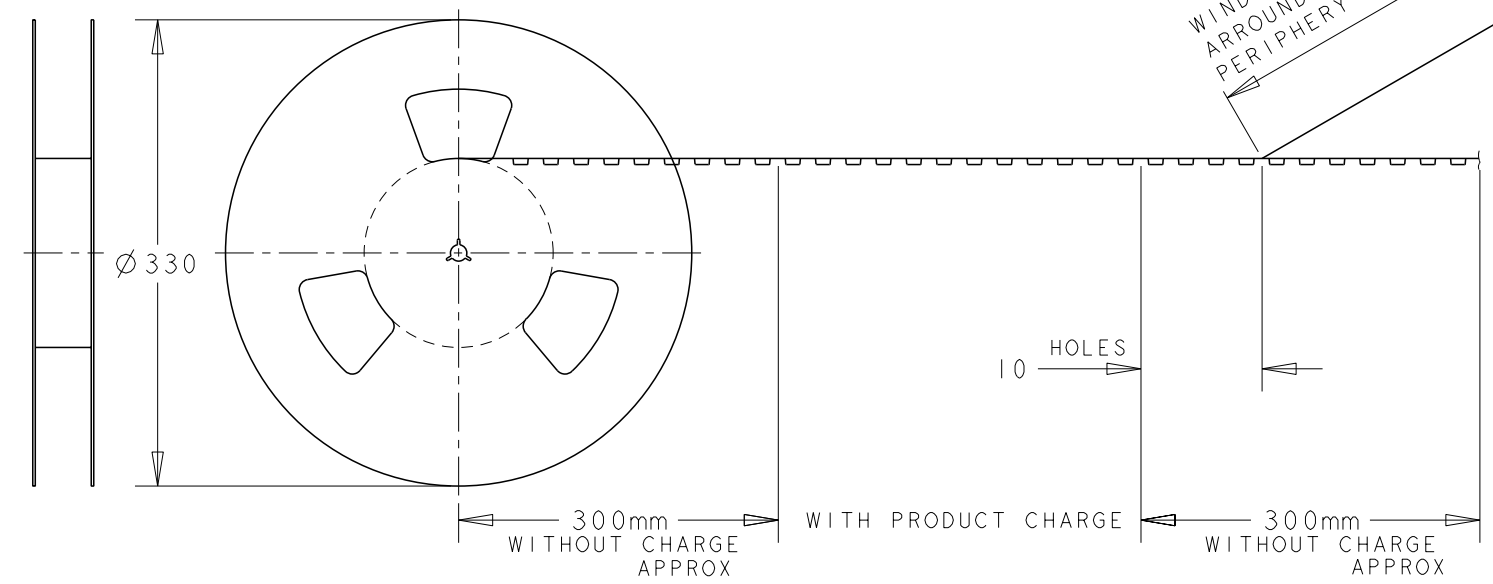
HALOGEN FREE

- Notes:
- 1 CUTOUT FEATURE AVAILABLE ONLY ON 5H ASSY P/N -1 (40P) AND -2 (60P).
 - 2 0.00038 MIN GOLD PLATING (15u INCHES GOLD PLATING)
 - 3 CONNECTOR DIMENSIONS REFERENCED FROM DRAWING WHICH CONN. P/Ns BASED

DIRECTION OFF TOP OF REEL



0.00076 MIN GOLD PLATING (30u INCHES GOLD PLATING)	450		16			61.8	88	84.4	42.2	140	1-	-6	7-	-6	
						53.8				120	1-	-5	7-	-5	
						45.8	72	68.4	34.2	100	1-	-4	7-	-4	
						37.8	56	52.4	26.2	80	1-	-3	7-	-3	
						29.8	44	40.4	20.2	60	1-	-2	7-	-2	
	700	7H	12		6.85	7.25	21.8	32	28.4	14.2	40	1-5179030-1	7-5177986-1		
							69.8				160		-8	6-	-8
							61.8	88	84.4	42.2	140		-6	6-	-6
							53.8				120		-5	6-	-5
							45.8	72	68.4	34.2	100		-4	6-	-4
550		16				37.8	56	52.4	26.2	80		-3	6-	-3	
						29.8	44	40.4	20.2	60		-2	6-	-2	
800	6H	12		5.85	6.25	21.8	32	28.4	14.2	40	5084615-1	6-5177986-1			
						85.8	104	100.4	50.2	200	1-	-0	5-	-0	
						69.8				160		-8	5-	-8	
						61.8	88	84.4	42.2	140		-6	5-	-6	
						53.8				120		-5	5-	-5	
						45.8	72	68.4	34.2	100		-4	5-	-4	
						37.8	56	52.4	26.2	80		-3	5-	-3	
						29.8	44	40.4	20.2	60		-2	5-	-2	
650		16				85.8	104	100.4	50.2	200	1-	-0	5-	-0	
						69.8				160		-8	5-	-8	
						61.8	88	84.4	42.2	140		-6	5-	-6	
						53.8				120		-5	5-	-5	
						45.8	72	68.4	34.2	100		-4	5-	-4	
						37.8	56	52.4	26.2	80		-3	5-	-3	
						29.8	44	40.4	20.2	60		-2	5-	-2	
900	5H	12	12	17	4.85	5.25	21.8	32	28.4	14.2	40	5084614-1	5-5177986-1		
						85.8	104	100.4	50.2	200	1-	-0	4-	-0	
						77.8	104	100.4	50.2	180		-9	3-	-9	
						69.8				160		-8	3-	-8	
						61.8	88	84.4	42.2	140		-6	3-	-6	
						53.8				120		-5	3-	-5	
						45.8	72	68.4	34.2	100		-4	3-	-4	
						37.8	56	52.4	26.2	80		-3	3-	-3	
						29.8	44	40.4	20.2	60		-2	3-	-2	
400		16				85.8	104	100.4	50.2	200	1-	-0	3-	-0	
						77.8	104	100.4	50.2	180		-9	2-	-9	
						69.8				160		-8	2-	-8	
						61.8	88	84.4	42.2	140		-6	2-	-6	
						53.8				120		-5	2-	-5	
						45.8	72	68.4	34.2	100		-4	2-	-4	
						37.8	56	52.4	26.2	80		-3	2-	-3	
						29.8	44	40.4	20.2	60		-2	2-	-2	
600	8H	12		7.85	8.25	21.8	32	28.4	14.2	40	5179031-1	3-5177986-1			
						85.8	104	100.4	50.2	200	1-	-0	3-	-0	
						77.8	104	100.4	50.2	180		-9	2-	-9	
						69.8				160		-8	2-	-8	
						61.8	88	84.4	42.2	140		-6	2-	-6	
						53.8				120		-5	2-	-5	
						45.8	72	68.4	34.2	100		-4	2-	-4	
						37.8	56	52.4	26.2	80		-3	2-	-3	
						29.8	44	40.4	20.2	60		-2	2-	-2	
450		16				85.8	104	100.4	50.2	200	1-	-0	3-	-0	
						77.8	104	100.4	50.2	180		-9	2-	-9	
						69.8				160		-8	2-	-8	
						61.8	88	84.4	42.2	140		-6	2-	-6	
						53.8				120		-5	2-	-5	
						45.8	72	68.4	34.2	100		-4	2-	-4	
						37.8	56	52.4	26.2	80		-3	2-	-3	
						29.8	44	40.4	20.2	60		-2	2-	-2	
700		12				85.8	104	100.4	50.2	200	1-	-0	3-	-0	
						77.8	104	100.4	50.2	180		-9	2-	-9	
						69.8				160		-8	2-	-8	
						61.8	88	84.4	42.2	140		-6	2-	-6	
						53.8				120		-5	2-	-5	
						45.8	72	68.4	34.2	100		-4	2-	-4	
						37.8	56	52.4	26.2	80		-3	2-	-3	
						29.8	44	40.4	20.2	60		-2	2-	-2	
500	7H	16		6.85	7.25	21.8	32	28.4	14.2	40	5179030-1	2-5177986-0			
						85.8	104	100.4	50.2	200	1-	-0	3-	-0	
						77.8	104	100.4	50.2	180		-9	2-	-9	
						69.8				160		-8	2-	-8	
						61.8	88	84.4	42.2	140		-6	1-	-6	
						53.8				120		-5	1-	-5	
						45.8	72	68.4	34.2	100		-4	1-	-4	
						37.8	56	52.4	26.2	80		-3	1-	-3	
						29.8	44	40.4	20.2	60		-2	1-	-2	
800	6H	12		5.85	6.25	21.8	32	28.4	14.2	40	5179029-1	1-5177986-1			
						85.8	104	100.4	50.2	200	1-	-0	3-	-0	
						69.8				160		-8	3-	-8	
						61.8	88	84.4	42.2	140		-6	3-	-6	
						53.8				120		-5	3-	-5	
						45.8	72	68.4	34.2	100		-4	3-	-4	
						37.8	56	52.4	26.2	80		-3	3-	-3	
						29.8	44	40.4	20.2	60		-2	3-	-2	
650		16				85.8	104	100.4	50.2	200	1-	-0	3-	-0	
						77.8	104	100.4	50.2	180		-9	2-	-9	
						69.8				160		-8	2-	-8	
						61.8	88	84.4	42.2	140		-6	2-	-6	
						53.8				120		-5	2-	-5	
						45.8	72	68.4	34.2	100		-4	2-	-4	
						37.8	56	52.4	26.2	80		-3	2-	-3	
						29.8	44	40.4	20.2	60		-2	2-	-2	
900	5H	12	12	17	4.85	5.25	21.8	32	28.4	14.2	40	5177984-1	5177986-1		
						85.8	104	100.4	50.2	200	1-	-0	3-	-0	
						77.8	104	100.4	50.2	180		-9	2-	-9	
						69.8				160		-8	2-	-8	
						61.8	88	84.4	42.2	140		-6	2-	-6	
						53.8				120		-5	2-	-5	
						45.8	72	68.4	34.2	100		-4	2-	-4	
						37.8	56	52.4	26.2	80		-3	2-	-3	
						29.8	44	40.4	20.2	60		-2	2-	-2	



WINDING THE COVER TAPE AROUND THE OUTER PERIPHERY IN A TURN.

THIS DRAWING IS A CONTROLLED DOCUMENT.		DWN FLORENCE TAN 30AUG04		
DIMENSIONS: mm		CHK ERIC TNG		
TOLERANCES UNLESS OTHERWISE SPECIFIED: 0 PLC ±- 1 PLC ±0.3 				

X-ON Electronics

Largest Supplier of Electrical and Electronic Components

Click to view similar products for [Board to Board & Mezzanine Connectors](#) category:

Click to view products by [TE Connectivity](#) manufacturer:

Other Similar products are found below :

[10135583-642402LF](#) [89885-310LF](#) [589158040000018](#) [6-1393048-0](#) [68683-613](#) [MDF7-12DP-2.54DSA](#) [MDF7-18P-2.54DSA\(01\)](#) [MDF7-20DP-2.54DSA](#) [MDF7-26D-2.54DSA\(55\)](#) [MDF7-3P-2.54DSA\(01\)](#) [MDF7B-3P-2.54DSA\(55\)](#) [MDF7C-11P-2.54DSA\(55\)](#) [MDF7C-18P-2.54DSA\(55\)](#) [MDF7C-5P-2.54DSA\(01\)](#) [MDF7P-5P-2.54DSA\(55\)](#) [75234-0516](#) [FCN-230C068-11](#) [FCN-268F012-G/BD](#) [FCN-268F036-G/BD](#) [FCN-268M012-G/0D](#) [FCN-268M024-G/1D](#) [FCN-360C008-C](#) [FCN-360C040-C](#) [FCN-723J004/1](#) [MIS-048-01-F-D-DP-K](#) [832-10-034-10-001000](#) [93696-325LF](#) [11828-1FA](#) [AXK630345P](#) [18097-0013](#) [ICA-328STT](#) [2007042-2](#) [304400-2](#) [FCN-214Q030-G/0](#) [FCN-215Q040-G/0](#) [FCN-230C068-ESA](#) [FCN-234P048-G/0](#) [FCN-235D050-G/C](#) [FCN-360A3](#) [FCN-360C040-B](#) [210-93-314-41-105000](#) [2-22603-0](#) [379-064-521-202](#) [MDF7-12P-2.54DSA\(01\)](#) [MDF7-16P-2.54DS\(56\)](#) [MDF7-40DP-2.54DSA\(55\)](#) [MDF7-8P-2.54DSA\(55\)](#) [MDF7B-16P-2.54DSA\(55\)](#) [AXG720047](#) [5031084030](#)