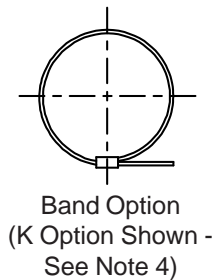
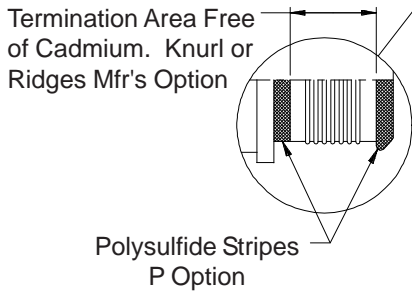
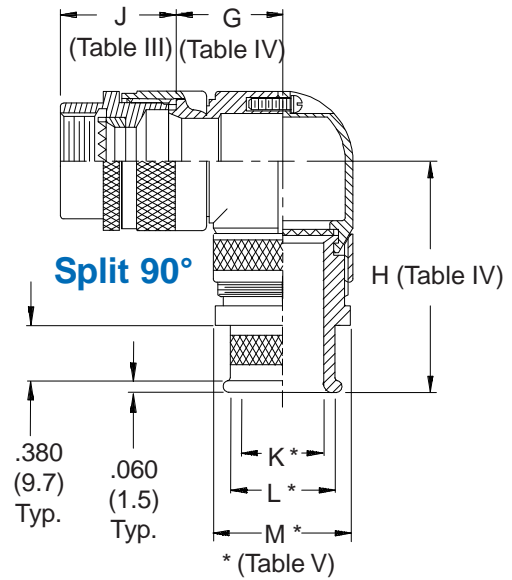
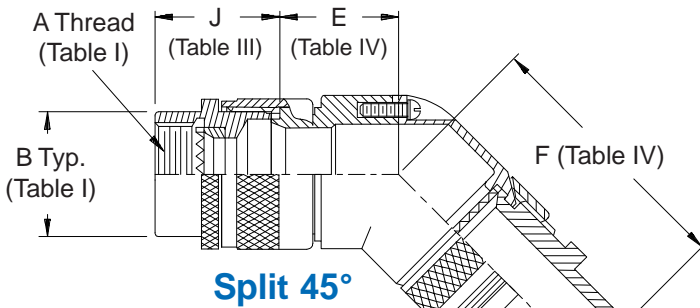
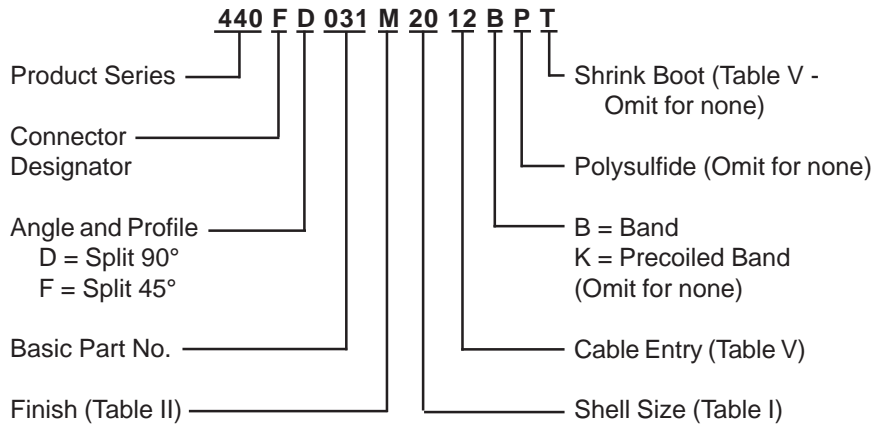


CONNECTOR DESIGNATORS
A-B*-C-D-E-F
G-H-J-K-L-S
 * Conn. Desig. B See Note 3
DIRECT COUPLING



440-031
EMI/RFI Banding and Shrink Boot Adapter
Direct Coupling - Split Shell



See inside back cover fold-out or pages 13 and 14 for Tables I and II.

TABLE III: FRONT ADAPTER			
Shell Size	J Max - Conn. Designator		
	A-E-F		
	J-H-L-S	D-B-G-K	C
08/09	1.180 (30.0)	1.250 (31.8)	
10/11	1.180 (30.0)	1.250 (31.8)	
12/13	1.180 (30.0)	1.250 (31.8)	1.735 (44.1)
14/15	1.180 (30.0)	1.250 (31.8)	1.915 (48.6)
16/17	1.380 (35.0)	1.560 (39.6)	1.915 (48.6)
18/19	1.380 (35.0)	1.560 (39.6)	1.915 (48.6)
20/21	1.380 (35.0)	1.560 (39.6)	1.915 (48.6)
22/23	1.380 (35.0)	1.560 (39.6)	1.915 (48.6)
24/25	1.380 (35.0)	1.560 (39.6)	1.915 (48.6)
28/29	1.610 (40.9)	1.560 (39.6)	1.915 (48.6)
32/33	1.610 (40.9)	1.750 (44.5)	1.915 (48.6)
36	1.610 (40.9)	1.750 (44.5)	1.915 (48.6)
40	1.610 (40.9)	2.190 (55.6)	1.915 (48.6)

TABLE IV: ELBOW DIMENSIONS						
Dash No.	E Max	F Max	G Max	H Max		
01	.440 (11.2)	1.635 (41.5)	.680 (17.3)	1.575 (40.0)		
02	.440 (11.2)	1.635 (41.5)	.680 (17.3)	1.575 (40.0)		
03	.440 (11.2)	1.635 (41.5)	.680 (17.3)	1.575 (40.0)		
04	.440 (11.2)	1.635 (41.5)	.680 (17.3)	1.575 (40.0)		
05	.500 (12.7)	1.695 (43.1)	.750 (19.1)	1.635 (41.5)		
06	.500 (12.7)	1.695 (43.1)	.750 (19.1)	1.635 (41.5)		
07	.560 (14.2)	1.765 (44.8)	.810 (20.6)	1.705 (43.3)		
08	.560 (14.2)	1.765 (44.8)	.810 (20.6)	1.705 (43.3)		
09	.620 (15.7)	1.795 (45.6)	.870 (22.1)	1.735 (44.1)		
10	.680 (17.3)	1.895 (48.1)	.930 (23.6)	1.835 (46.6)		
11	.680 (17.3)	1.895 (48.1)	.930 (23.6)	1.835 (46.6)		
12	.750 (19.1)	1.955 (49.7)	1.000 (25.4)	1.895 (48.1)		
13	.820 (20.8)	2.015 (51.2)	1.060 (26.9)	1.955 (49.7)		
14	.820 (20.8)	2.015 (51.2)	1.060 (26.9)	1.955 (49.7)		
15	.880 (22.4)	2.075 (52.7)	1.120 (28.4)	2.015 (51.2)		
16	.880 (22.4)	2.075 (52.7)	1.120 (28.4)	2.015 (51.2)		

TABLE V: CABLE ENTRY						
Dash No.	K		L		M	Shrink Boot
01	.125 (3.2)	.250 (6.4)	.312 (7.9)			770-003S111
31	.188 (4.8)	.312 (7.9)	.374 (9.5)			770-003S111
02	.250 (6.4)	.375 (9.5)	.437 (11.1)			770-003S112
32	.312 (7.9)	.438 (11.1)	.500 (12.7)			770-003S112
03	.375 (9.5)	.500 (12.7)	.562 (14.3)			770-001S103
33	.438 (11.1)	.562 (14.3)	.624 (15.8)			770-001S104
04	.500 (12.7)	.625 (15.9)	.687 (17.4)			770-001S104
34	.562 (14.3)	.688 (17.5)	.750 (19.1)			770-001S104
05	.625 (15.9)	.750 (19.1)	.812 (20.6)			770-001S104
35	.688 (17.5)	.812 (20.6)	.874 (22.2)			770-001S104
06	.750 (19.1)	.875 (22.2)	.937 (23.8)			770-001S105
36	.812 (20.6)	.938 (23.8)	1.000 (25.4)			770-001S105
07	.875 (22.2)	1.000 (25.4)	1.062 (27.0)			770-001S105
37	.938 (23.8)	1.062 (27.0)	1.124 (28.5)			770-001S105
08	1.000 (25.4)	1.125 (28.6)	1.187 (30.1)			770-001S106
38	1.062 (27.0)	1.188 (30.2)	1.250 (31.8)			770-001S106
09	1.125 (28.6)	1.250 (31.8)	1.312 (33.3)			770-001S107
10	1.250 (31.8)	1.375 (34.9)	1.437 (36.5)			770-001S107
11	1.375 (34.9)	1.500 (38.1)	1.562 (39.7)			770-001S107
12	1.500 (38.1)	1.625 (41.3)	1.687 (42.8)			770-001S107
13	1.625 (41.3)	1.750 (44.5)	1.812 (46.0)			770-001S108
14	1.750 (44.5)	1.875 (47.6)	1.937 (49.2)			770-001S108
15	1.875 (47.6)	2.000 (50.8)	2.062 (52.4)			770-001S109
16	2.000 (50.8)	2.125 (54.0)	2.187 (55.5)			770-001S109

*Equivalent boot may be supplied in lieu of stated part number.

1. Metric dimensions (mm) are indicated in parentheses.
2. See page 40 for Shrink Boot Reference Information.
3. When using Connector Designator B refer to pages 18 and 19 for part number development.
4. Backshells supplied with 600-052-* band, see Glenair Series 600 Tool Catalog for installation.

X-ON Electronics

Largest Supplier of Electrical and Electronic Components

Click to view similar products for [Heat Shrink Cable Boots & End Caps](#) category:

Click to view products by [Glenair](#) manufacturer:

Other Similar products are found below :

[577159N001](#) [007758-000](#) [610368N003](#) [645494-000](#) [M85049/141-02HU](#) [M85049/141-03HU](#) [M85049/141-04HU](#) [687025-000](#) [705331-000](#)
[718446-000](#) [725666N001](#) [729257-000](#) [F21914-000](#) [F27131-000](#) [F85868-000](#) [770-006A103R](#) [770-006A304W1](#) [770-006A305W1](#) [770-](#)
[006A308W1](#) [770-011T303W1](#) [770-011T304W1](#) [770-020S702W1](#) [770-020S704W1](#) [806138-000](#) [806542N001](#) [807507-000](#) [808059-000](#)
[808296-000](#) [808362-000](#) [808828-000](#) [809125-000](#) [809130-000](#) [809218-000](#) [811218-000](#) [811288-000](#) [812014-000](#) [812047-000](#) [813166-000](#)
[813767N002](#) [814417-000](#) [819115N001](#) [819117N001](#) [823026-000](#) [823070-000](#) [825002-000](#) [841189N001](#) [861471-000](#) [866647-000](#) [937577-](#)
[000](#) [950764-000](#)