



RJ45 AND USB 2.0 Contacts, Tools, and Accessories



440-135 EMI/RFI, Rotatable Coupling, Shrink Boot Band Adapter for Series 801, 804 and 805 Mighty Mouse



**Band-Master ATS® Band
Microband 601-061**
See Page M-7



**Add a boot or overmold
for environmental protection**
(Shown without boot)

These thread-on adapters are used with **Band-Master ATS® Micro Band** shield termination straps. Choose the smallest cable entry for your wire bundle. **Straight Entry** adapters are available in various lengths. **Straight, 45°** and **90°** adapters feature rotatable coupling nuts.



**Band-Master ATS®
Micro Band Tool**
601-101
See Page M-7

Series 80 Mighty Mouse

How To Order

Sample Part Number	440MS135	M	08	07	-7	K
Series (See Table I)	440MS135 = Straight Entry 440MK135 = 45° Entry 440ML135 = 90° Entry					
Shell Material and Finish	UCR = Aluminum/Zinc Cobalt Black M = Aluminum/Electroless Nickel NF = Aluminum/Cadmium with Olive Drab ZNU = Aluminum/Zinc-Nickel with Black Chromate MT = Aluminum/Nickel-PTFE Z1 = Stainless Steel/Passivated					
Shell Size Code	08, 14, 16 (See Dimensions Table)					
Dash No.	04, 05, 06, 07 (See Dash No. Table)					
Length	Applies to symbol "S", straight only Length in .125 (3.18mm) inch increments (i.e. 7 = .875 inches)					
Band Option	K = Pre-coiled Band Supplied (601-061) B = Band Supplied (601-060) Omit for no band supplied					

Table I: Cover Style

440MS135 Straight Entry	440MK135 45° Entry	440ML135 90° Entry

NOTES

- Standard Minimum Length is .75. applies to symbol "S" straight only.
- Material and Finish
 - Band: 300 series SST
 - O-ring: silicone elastomer

M



RJ45 AND USB 2.0

Contacts, Tools, and Accessories



440-135 EMI/RFI, Rotatable Coupling, Shrink Boot Band Adapter for Series 801, 804 and 805 Mighty Mouse

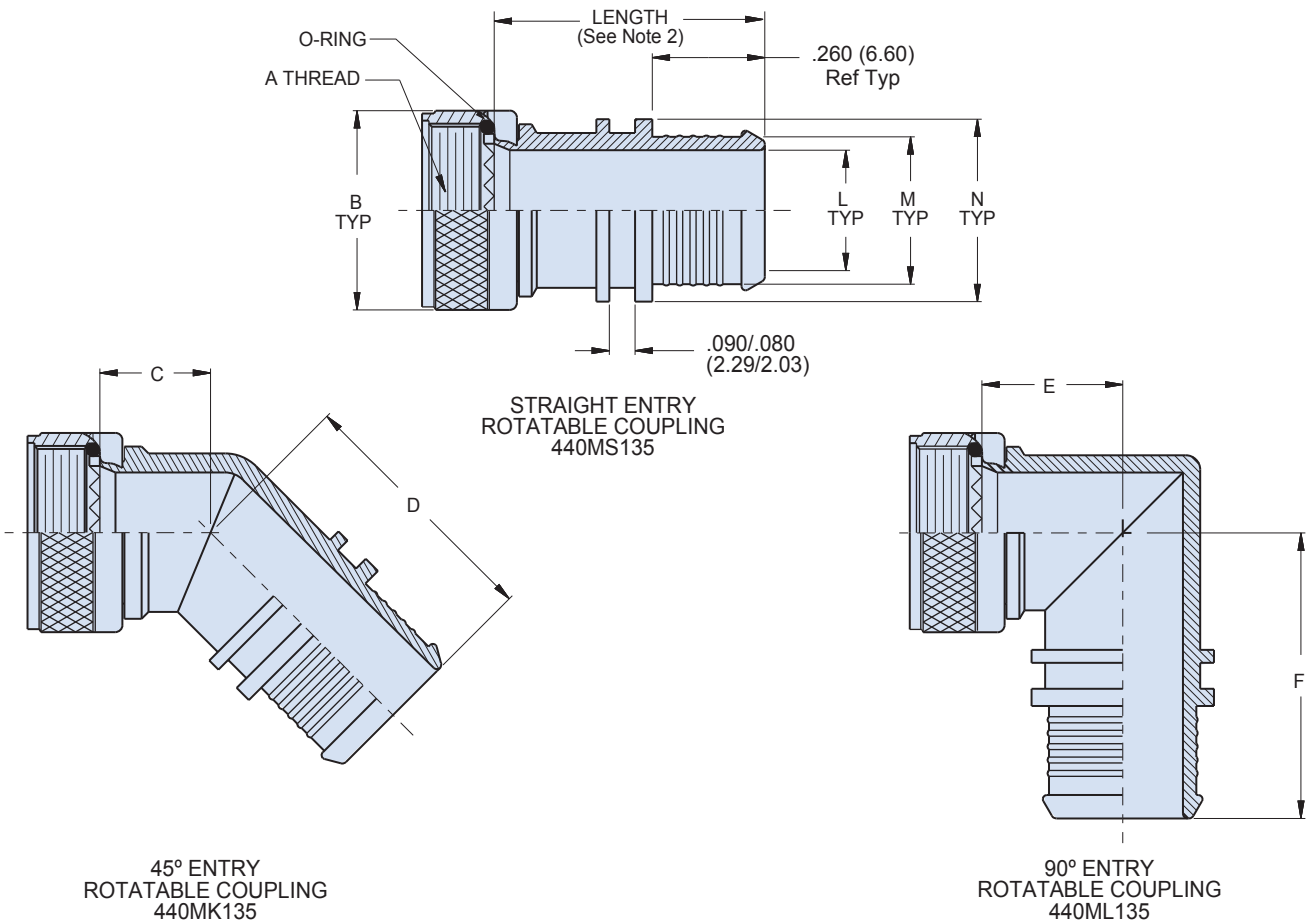
Shell Size Code	Shell Size Reference		A Thread Class -2B	Dimensions												Max Dash No. See Table I
	801 & 804	805		B Max		C Max.		D Max.		E Max.		F Max.				
	In	mm		In	mm	In	mm	In	mm	In	mm	In	mm			
08	8	10	1/2-28 UNEF	.70	17.78	.58	14.73	.70	17.78	.74	18.80	.86	21.84	07		
14	14,15,16,17	18,19	15/16-20 UNEF	1.137	28.88	.69	17.53	.80	20.32	.95	24.13	1.09	27.69			
16	19	21	11/16-18 UNEF	1.230	31.24	.71	18.03	.82	20.83	.98	24.89	1.13	28.70			

Dash No.	L Dia		M Dia		N Dia		Straight Shrink Boot*
	in	mm	in	mm	in	mm	
04	.250	6.35	.289	7.34	.391	9.93	809S060-1L
05	.312	7.92	.351	8.92	.453	11.51	809S060-2L
06	.375	9.53	.414	10.52	.516	13.11	809S060-3L
07	.438	11.13	.477	12.12	.579	14.71	809S060-3L

* Shrink Boot **MUST** be ordered separately.

Shrink boot material:

compound 2013 low temperature polyolefin with W2 hot melt adhesive.



Series 80 Mighty Mouse

M

X-ON Electronics

Largest Supplier of Electrical and Electronic Components

Click to view similar products for [Heat Shrink Cable Boots & End Caps](#) category:

Click to view products by [Glenair](#) manufacturer:

Other Similar products are found below :

[577159N001](#) [007758-000](#) [610368N003](#) [645494-000](#) [M85049/141-02HU](#) [M85049/141-03HU](#) [M85049/141-04HU](#) [687025-000](#) [705331-000](#)
[718446-000](#) [725666N001](#) [729257-000](#) [F21914-000](#) [F27131-000](#) [F85868-000](#) [770-006A103R](#) [770-006A304W1](#) [770-006A305W1](#) [770-](#)
[006A308W1](#) [770-011T303W1](#) [770-011T304W1](#) [770-020S702W1](#) [770-020S704W1](#) [806138-000](#) [806542N001](#) [807507-000](#) [808059-000](#)
[808296-000](#) [808362-000](#) [808828-000](#) [809125-000](#) [809130-000](#) [809218-000](#) [811218-000](#) [811288-000](#) [812014-000](#) [812047-000](#) [813166-000](#)
[813767N002](#) [814417-000](#) [819115N001](#) [819117N001](#) [823026-000](#) [823070-000](#) [825002-000](#) [841189N001](#) [861471-000](#) [866647-000](#) [937577-](#)
[000](#) [950764-000](#)