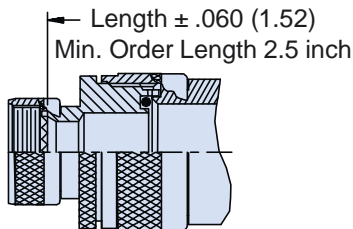
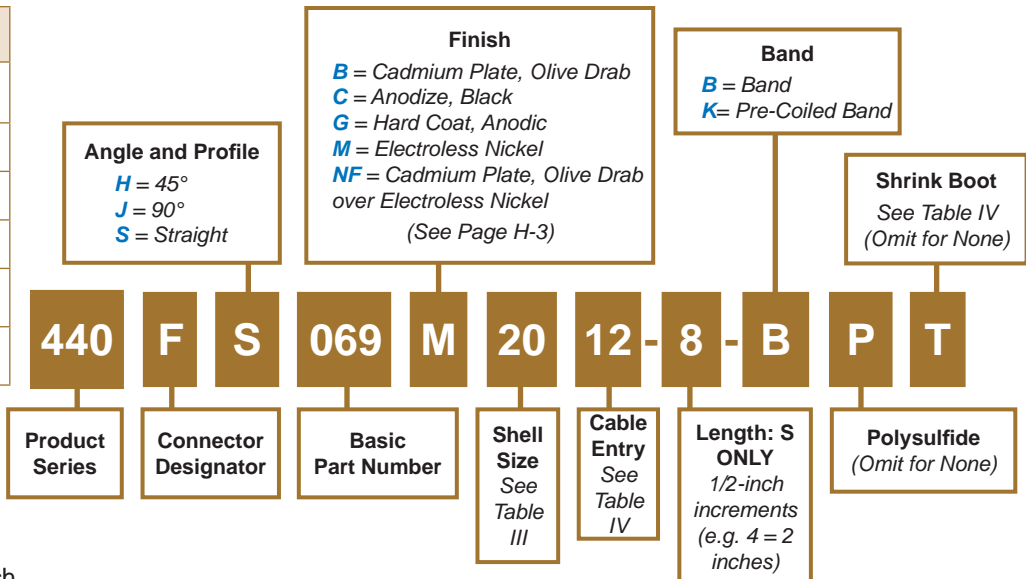


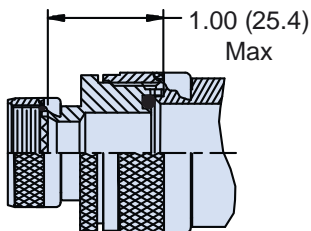


440-069 EMI/RFI Banding and Shrink Boot Adapter Self-Locking Rotatable Coupling - Standard Profile

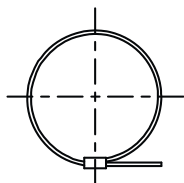
CONNECTOR DESIGNATOR:	
A	MIL-DTL-5015, -26482, Series II and -83723 Series I and III
F	MIL-DTL-38999 Series I, II
H	MIL-DTL-38999 Series III and IV
L	LN29729
ROTATABLE COUPLING	
SELF-LOCKING	



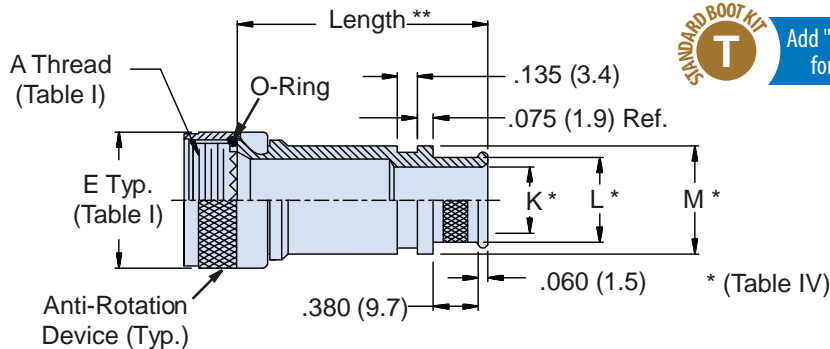
**STYLE 2
(STRAIGHT
See Note 1)**



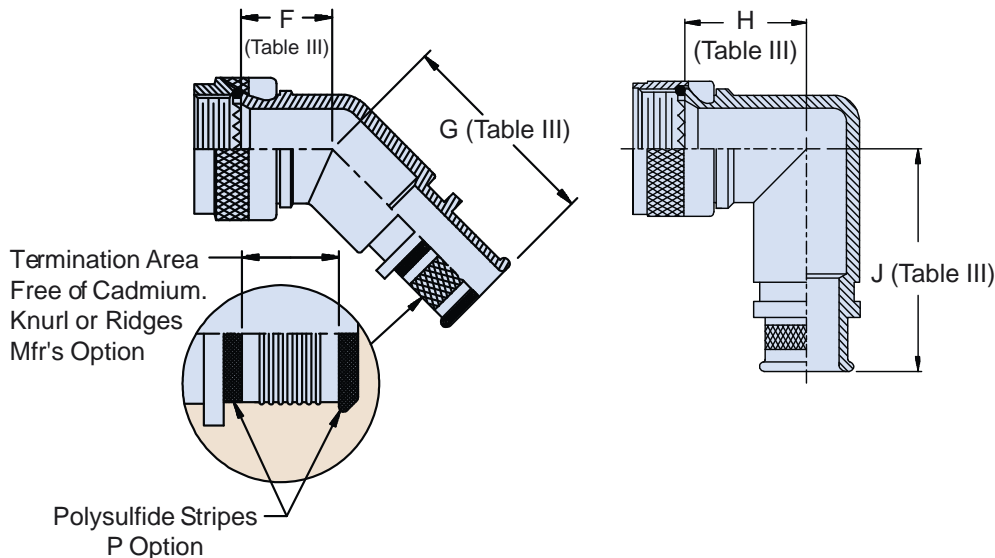
**STYLE 2
(45° & 90°
See Note 1)**



Band Option
(K Option Shown -
See Note 6)



STANDARD BOOT KIT
T Add "T" to Part Number for Standard Boot



Dimensions in inches (millimeters) and are subject to change without notice.

CAGE Code 06324

Printed in U.S.A.

See Pages H-2 and H-3 for unabridged Tables I and II, and Pages H-4 and H-5 for MIL-DTL-5015

TABLE III: Connector Designators and Dimensions

Shell Size - Conn. Desig. A-F-L	H	F Max	G Max	H Max	J Max
08	09	.806 (20.5)	1.038 (26.4)	.906 (23.0)	1.146 (29.1)
10	11	.832 (21.1)	1.064 (27.0)	.966 (24.5)	1.210 (30.7)
12	13	.856 (21.7)	1.088 (27.6)	1.026 (26.1)	1.268 (32.2)
14	15	.882 (22.4)	1.114 (28.3)	1.076 (27.3)	1.330 (33.8)
16	17	.908 (23.1)	1.150 (29.2)	1.136 (28.9)	1.392 (35.4)
18	19	.927 (23.5)	1.190 (30.2)	1.176 (29.9)	1.438 (36.5)
20	21	.953 (24.2)	1.250 (31.8)	1.236 (31.4)	1.500 (38.1)
22	23	.979 (24.9)	1.320 (33.5)	1.296 (32.9)	1.562 (39.7)
24	25	1.004 (25.5)	1.380 (35.1)	1.356 (34.4)	1.625 (41.3)
28		1.197 (30.4)	1.500 (38.1)	1.422 (36.1)	1.654 (42.0)
32		1.280 (32.5)	1.620 (41.1)	1.545 (39.2)	1.777 (45.1)
36		1.294 (32.9)	1.750 (44.5)	1.652 (42.0)	1.844 (46.8)
40		1.320 (33.5)	1.870 (47.5)	1.960 (49.8)	2.070 (52.6)

TABLE IV: Cable Entry, Dimensions and Shrink Boot

Dash No.	K	L	M	Shrink Boot Part Number
01	.125 (3.2)	.250 (6.4)	.312 (7.9)	770-003S111
31	.188 (4.8)	.312 (7.9)	.374 (9.5)	770-003S111
02	.250 (6.4)	.375 (9.5)	.437 (11.1)	770-003S112
32	.312 (7.9)	.438 (11.1)	.500 (12.7)	770-003S112
03	.375 (9.5)	.500 (12.7)	.562 (14.3)	770-003S112
33	.438 (11.1)	.562 (14.3)	.624 (15.8)	770-001S104
04	.500 (12.7)	.625 (15.9)	.687 (17.4)	770-001S104
34	.562 (14.3)	.688 (17.5)	.750 (19.1)	770-001S104
05	.625 (15.9)	.750 (19.1)	.812 (20.6)	770-001S104
35	.688 (17.5)	.812 (20.6)	.874 (22.2)	770-001S104
06	.750 (19.1)	.875 (22.2)	.937 (23.8)	770-001S105
36	.812 (20.6)	.938 (23.8)	1.000 (25.4)	770-001S105
07	.875 (22.2)	1.000 (25.4)	1.062 (27.0)	770-001S105
37	.938 (23.8)	1.062 (27.0)	1.124 (28.5)	770-001S105
08	1.000 (25.4)	1.125 (28.6)	1.187 (30.1)	770-001S106
38	1.062 (27.0)	1.188 (30.2)	1.250 (31.8)	770-001S106
09	1.125 (28.6)	1.250 (31.8)	1.312 (33.3)	770-001S107
10	1.250 (31.8)	1.375 (34.9)	1.437 (36.5)	770-001S107
11	1.375 (34.9)	1.500 (38.1)	1.562 (39.7)	770-001S107
12	1.500 (38.1)	1.625 (41.3)	1.687 (42.8)	770-001S107
13	1.625 (41.3)	1.750 (44.5)	1.812 (46.0)	770-001S108
14	1.750 (44.5)	1.875 (47.6)	1.937 (49.2)	770-001S108
15	1.875 (47.6)	2.000 (50.8)	2.062 (52.4)	770-001S109
16	2.000 (50.8)	2.125 (54.0)	2.187 (55.5)	770-001S109

APPLICATION NOTES

1. Cable Entry is defined as the accommodation range for the wire bundle or cable. Dimensions shown are not intended for inspection criteria.
2. See Backshell Interface Dimensions and Standards on Pages H-4 and H-5.
3. Metric dimensions (mm) noted in parentheses are for reference only.
4. When maximum entry is exceeded, Style 2 will be supplied and dimensions F, G, H and J will not apply. Please consult factory.
5. Interface O-Ring not supplied with Connector Designator A.
6. Backshells supplied with 600-052 Band. See Glenair Series 600 Tool Catalog for installation details.

Dimensions in inches (millimeters) and are subject to change without notice.

X-ON Electronics

Largest Supplier of Electrical and Electronic Components

Click to view similar products for [Heat Shrink Cable Boots & End Caps](#) category:

Click to view products by [Glenair](#) manufacturer:

Other Similar products are found below :

[577159N001](#) [007758-000](#) [610368N003](#) [645494-000](#) [M85049/141-02HU](#) [M85049/141-03HU](#) [M85049/141-04HU](#) [687025-000](#) [705331-000](#)
[718446-000](#) [725666N001](#) [729257-000](#) [F21914-000](#) [F27131-000](#) [F85868-000](#) [770-006A103R](#) [770-006A304W1](#) [770-006A305W1](#) [770-](#)
[006A308W1](#) [770-011T303W1](#) [770-011T304W1](#) [770-020S702W1](#) [770-020S704W1](#) [806138-000](#) [806542N001](#) [807507-000](#) [808059-000](#)
[808296-000](#) [808362-000](#) [808828-000](#) [809125-000](#) [809130-000](#) [809218-000](#) [811218-000](#) [811288-000](#) [812014-000](#) [812047-000](#) [813166-000](#)
[813767N002](#) [814417-000](#) [819115N001](#) [819117N001](#) [823026-000](#) [823070-000](#) [825002-000](#) [841189N001](#) [861471-000](#) [866647-000](#) [937577-](#)
[000](#) [950764-000](#)