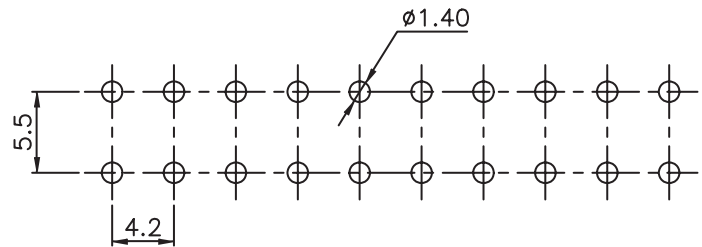
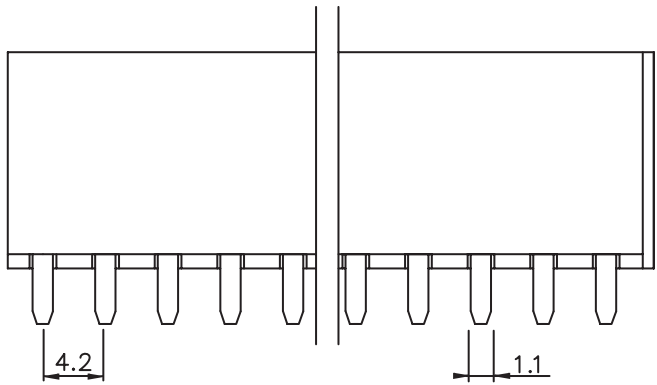
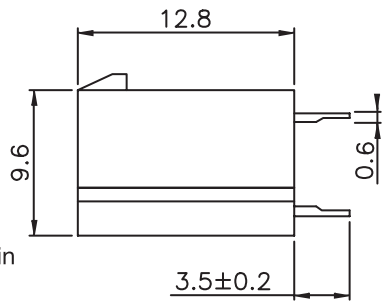
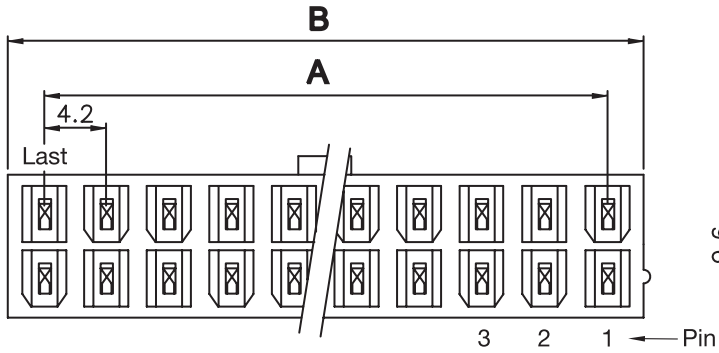


1 2 3 4 5



PCB LAYOUT - COMPONENT VIEW

TECHNICAL CHARACTERISTICS

MATERIAL
 INSULATOR: NYLON 66
 FLAMABILITY RATING: UL94-V0
 COLOR: WHITE
 CONTACT MATERIAL: TIN OVER NICKEL
 CONTACT TYPE: STAMPED
 CONTACT PLATING: TIN
 QUALITY CLASS: 25 MATING CYCLES
 PITCH: 4.20MM

ENVIRONMENTAL
 OPERATING TEMPERATURE: -40 UP TO 105°C
 COMPLIANCE: LEAD FREE AND ROHS

ELECTRICAL
 CURRENT RATING: 6 TO 9A

NB CIRCUITS □	2-3 □	4-6 □	7-10 □	12-24
AMPERES □	9 □	8 □	7 □	6

WORKING VOLTAGE: 600V AC
 INSULATOR RESISTANCE: >1000 MOHM
 DIELECTRIC WITHSTANDING VOLTAGE: 1500V AC/MN
 CONTACT RESISTANCE: 20 mOHM MAX

STANDARD
 Ⓜ CERTIFIED: E323964 / MODEL NUMBER 649-2S

SOLDERING
 WAVE PROCESS ONLY

PACKAGING
 TRAY

DIMENSION
 A = 4.20 x (NB. PIN / 2 - 1)
 B = 4.20 x (NB. PIN / 2) + 1.30

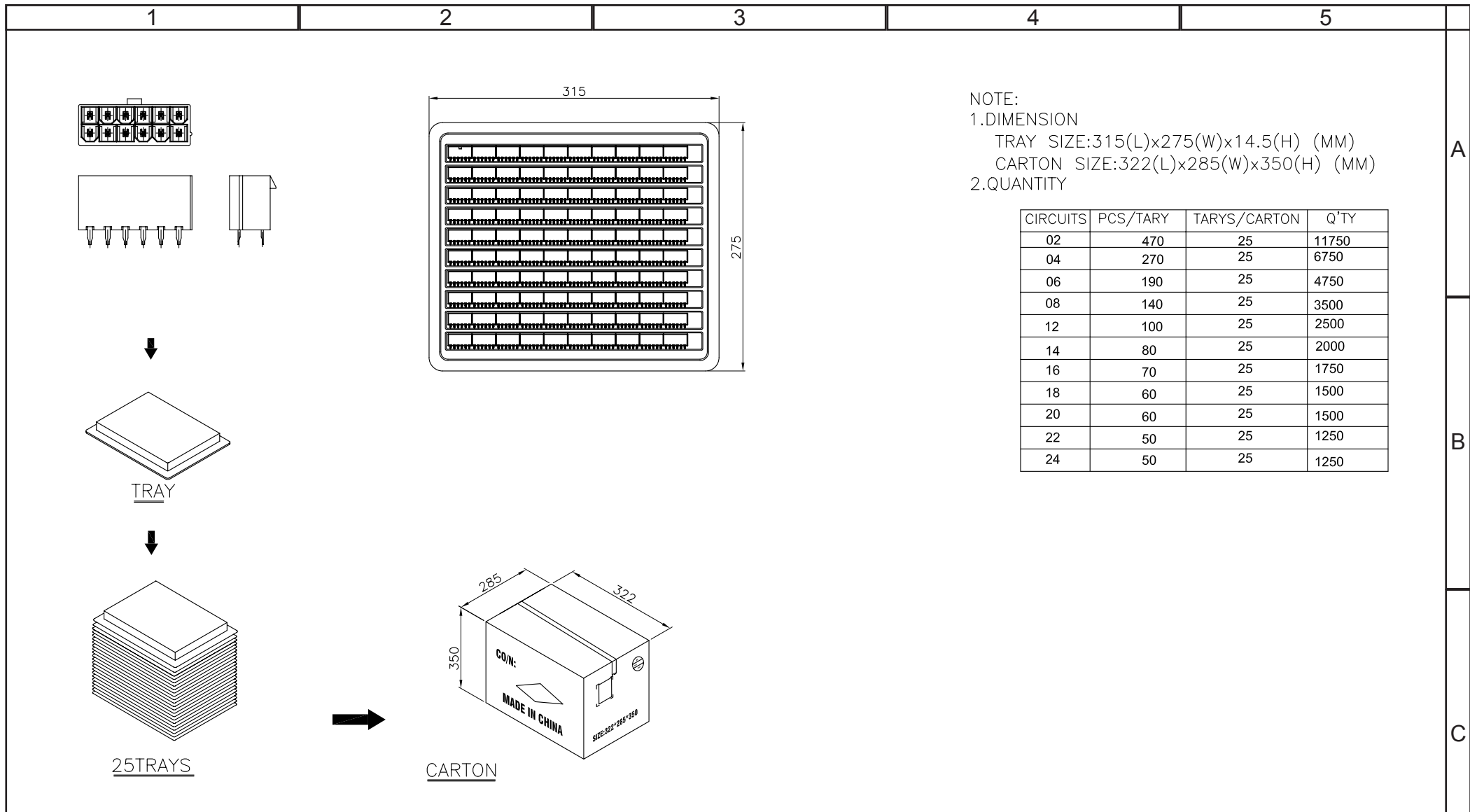
RoHS Compliant			
G			
F			
E	04-OCT-11	UL	GG
D	10-AUG-11	CONTACT	GG
C	18-NOV-09	STANDARD	JP
B	23-AVR-09	PACKAGING	JC
A	12-NOV-08	UL 94-V0 & PINING	JP
REV	DATE	FILE	BY

PROJECTION:	
APPROVAL: RJ	

GENERAL TOLERANCE
.X = +/- 0.2
.XX = +/- 0.15
UNIT: MM
SCALE:
SHEET: 1/2
DRAW: PEARL

DESCRIPTION: 4.20MM MALE DUAL ROW VERTICAL HEADER	SIZE
WERI PART NO: 649 0xx 211 22	A4

A
B
C
D



NOTE:
 1.DIMENSION
 TRAY SIZE:315(L)x275(W)x14.5(H) (MM)
 CARTON SIZE:322(L)x285(W)x350(H) (MM)
 2.QUANTITY

CIRCUITS	PCS/TARY	TARYS/CARTON	Q'TY
02	470	25	11750
04	270	25	6750
06	190	25	4750
08	140	25	3500
12	100	25	2500
14	80	25	2000
16	70	25	1750
18	60	25	1500
20	60	25	1500
22	50	25	1250
24	50	25	1250

RoHS Compliant				PROJECTION: 	GENERAL TOLERANCE .X = +/- 0.2 .XX = +/- 0.15		DESCRIPTION: 4.20MM MALE DUAL ROW VERTICAL HEADER	SIZE A4
G								
F					SCALE:			
E	<input type="checkbox"/>				SHEET: 2/2			
D	<input type="checkbox"/>				DRAW: PEARL			
C	<input type="checkbox"/>							
B	<input type="checkbox"/>							
A	<input type="checkbox"/>							
REV	DATE	FILE	BY					

X-ON Electronics

Largest Supplier of Electrical and Electronic Components

Click to view similar products for [wurth manufacturer](#):

Other Similar products are found below :

[687001](#) [744741101](#) [750314624](#) [750341638](#) [31402](#) [686626050001](#) [744741471](#) [744772681](#) [744777](#) [749119950](#) [750312504](#) [890334025009](#)
[IC-744885](#) [875115350002](#) [865230143004](#) [600690282801](#) [178050601](#) [615008138221](#) [750311898](#) [744999](#) [7446823003](#) [7446323004](#) [744028](#)
[66201621822](#) [7446221012](#) [744720](#) [760895431](#) [760895651](#) [662006236022](#) [64900621822](#) [418117270910](#) [890334026014](#) [744839208072](#)
[744762A/RFI](#) [74651174R](#) [744838180160](#) [885300](#) [750310346](#) [861011384014](#) [750817018](#) [33008](#) [3020903](#) [885342](#) [2603019321001](#)
[2603019021001](#) [2606039021001](#) [2608019324001](#) [2607019213001](#) [2605039241001](#) [2605049281001](#)